

**BR45  
2014**

# **Railway - Maintenance of Way MULTI-PURPOSE PERCUSSION TOOL**

[www.stanleyhydraulic.com](http://www.stanleyhydraulic.com)

**punching**



**driving**



**tamping**



**breaking**



# **STANLEY<sup>®</sup>**

**PERFORMANCE IN ACTION<sup>™</sup>**

Model Shown: BR45158



## Lightweight, extremely versatile hydraulic tool

- **Versatility**, lightweight and powerful hand-held tool presents countless MOW solutions.
- **Ease of use** is maintained with the **anti-vibration** handles to absorb the impact energy from the tool during operation.
- Control valve features a **feathering** on-off for precise control of the output energy.
- Tool **operation** is designed for light to medium duty applications.
- **Water-resistant** tool provides more flexibility in all weather conditions.
- **Bit Locking System** retains the tool bit from loosening or detaching from the tool during operation.
- **Leg Guard** provides greater control and comfort.
- Cold weather operation, hydraulics will **not freeze** up in cold conditions.
- **No exhaust**, hydraulic percussion tools are a closed circuit system, improving the work condition and comfort.

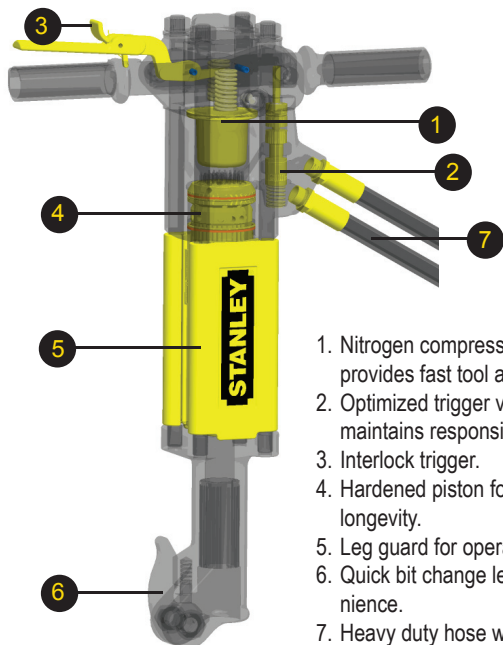
▼ The BR45158 Multi-purpose Percussion Tool provides fast action to set the ballast after a routine maintenance interval.



### Peace of Mind

Every Stanley Multi-purpose tool is thoroughly tested to provide trouble-free service, and is backed by an 18 month factory warranty.

### BR45 TECHNICAL OVERVIEW



1. Nitrogen compressed air chamber provides fast tool action.
2. Optimized trigger valve circuit maintains responsiveness.
3. Interlock trigger.
4. Hardened piston for added longevity.
5. Leg guard for operator comfort
6. Quick bit change lever for convenience.
7. Heavy duty hose whips are equipped with each percussion tool.

### Quick Reference

Model:

**BR45158**

Beats Per Minute:

**1525 BPM**

Pressure Range:

**2,000 - 2,500 PSI**

Flow Range:

**7 - 10 GPM**



Tamp



Drive



Punch

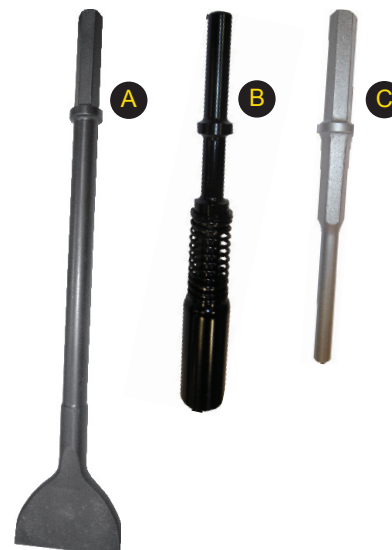
### MODEL SPECIFICATIONS

Model	Description	Bit Capacity (in)	Output (bpm)	Length (in)	Width at Handles (in)	Equipment Included	Weight (lbs)
BR45158	BR45 Anti- Vibration Handle, Percussion Tool Kit	1" Hex x 4-1/4" Shank	1525	28	17.5	Percussion tool w/ hose whips, tamping bit, spike driver bit	55

Specifications are Subject to Change Without Notice

### ACCESSORY BIT SPECIFICATIONS

Part	Description	Function	Photo Shown	Included with BR45158 Kit
29431	Tamping Bit, 5 in.	Tamp ballast	A	Yes
38709	Spike Driver Bit	Spike driver	B	Yes
208001	Dead Head Spike Driver, 5 in.	Punch out broken spikes	C	Optional
07702	Moil Point	Breaking	N/a	Optional
07704	Chisel	Breaking	N/a	Optional



## LABOUNTY UNIVERSAL PROCESSORS

The LaBounty Universal Processors SV Series are ideal for demolition, road and bridge reconstruction and recycling operations. Up to four interchangeable jaws are offered per model, providing maximum versatility.



## MAX-FORCE SERIES BREAKERS

The Stanley MBX Series Breaker models feature industry leading design innovations including a patented valving system which provides unmatched performance and durability. A unique, direct-acting nitrogen chamber that results in increased impact force with the simplicity of only two moving parts, and a rugged housing and power-cell designed to excel in the most demanding applications. Stanley's MBX Series Breakers are ideal for construction, demolition and quarry applications.



## HAND-HELD HYDRAULIC TOOLS

Hydraulic Hand-held Tools from Stanley increase job versatility and gets the job done quickly, effectively, and quietly. Hydraulic power is the most efficient power of any traditional power source with the highest power-to-weight ratio of any power tool. Our hand-held line of tools can be powered from a variety of hydraulic power sources such as backhoes, aerial lifts, dump trucks and Stanley Hydraulic Power Units, including our mobile power unit – the TracHorse.



For more information on Stanley Hydraulic Tools, please call our facility at: 1.800.972.2647 or 1.503.659.5660 or Visit our web site at [www.stanleyhydraulic.com](http://www.stanleyhydraulic.com)

Literature #: BR45RR06122014

*Distributed by:*

**STANLEY**®  
PERFORMANCE IN ACTION™