



Original instructions



5/17

LaBounty

LMB1308

HYDRAULIC BREAKER
Parts manual



Part Number: **PMLMB1308SENX.517**

TABLE OF CONTENTS

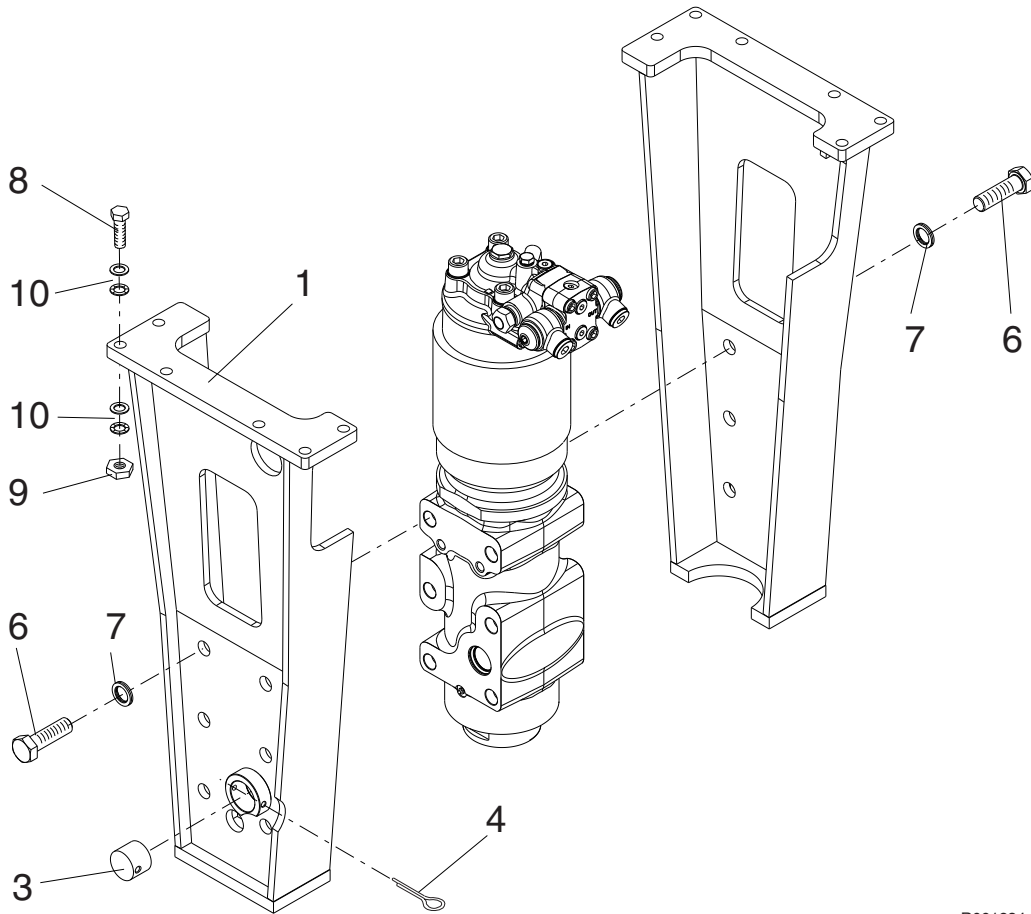
Housing unit	4
Accumulators	5
Pressure adjusting valve	7
Body parts	8
Lower tool bushing	9
Tool	10
Swivel couplings	11
Seal set	12
Service kit	14

•

PARTS

HOUSING UNIT

HOUSING UNIT

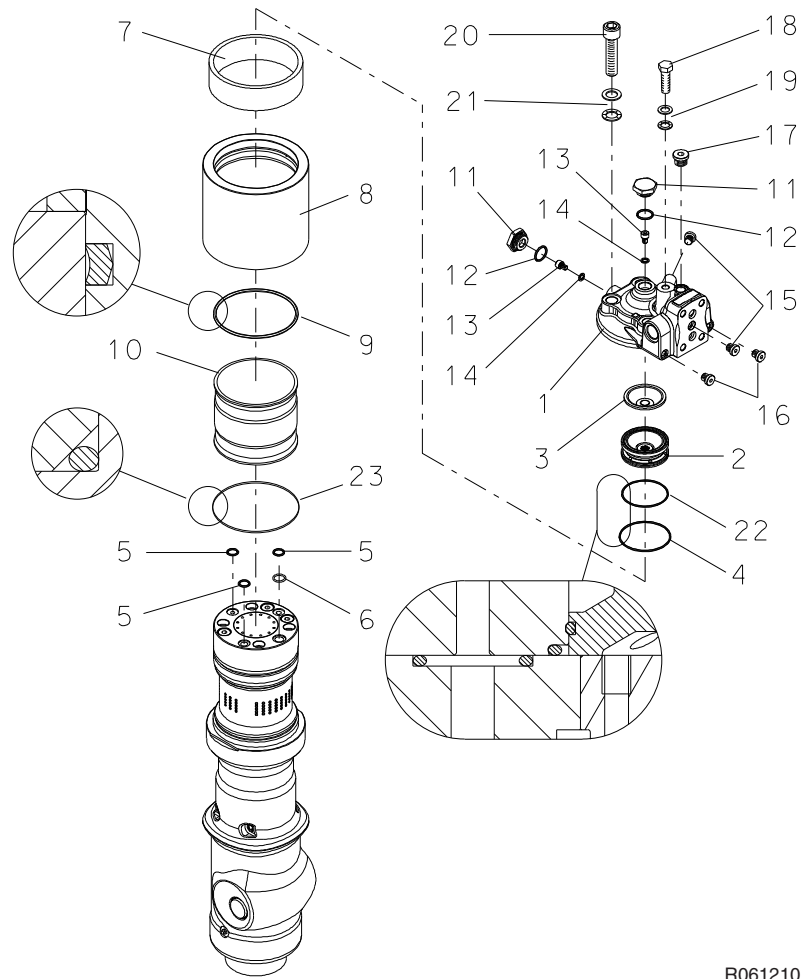


R061234

Item	Description	Part no.	Specification	Note	Qty
1	Housing plates	76823			1
3	Plug	76824			1
4	Cotter pin	76825	10x112 ISO 1234		2
6	Hex. screw	76826	M30x100-10.9 ISO 4014		12
7	Lock washer	76827	NL30T NORD-LOCK		12
8	Hex. screw	76828	M20x90-8.8 ISO 4014		12
9	Hex. nut	76829	M20-8 ISO 4032		12
10	Lock washer	76830	M20 NORD-LOCK		24
20	Label set (incl. part 20.1)	76831			1
20.1	Safety label set	76832	English		1

ACCUMULATORS

ACCUMULATORS



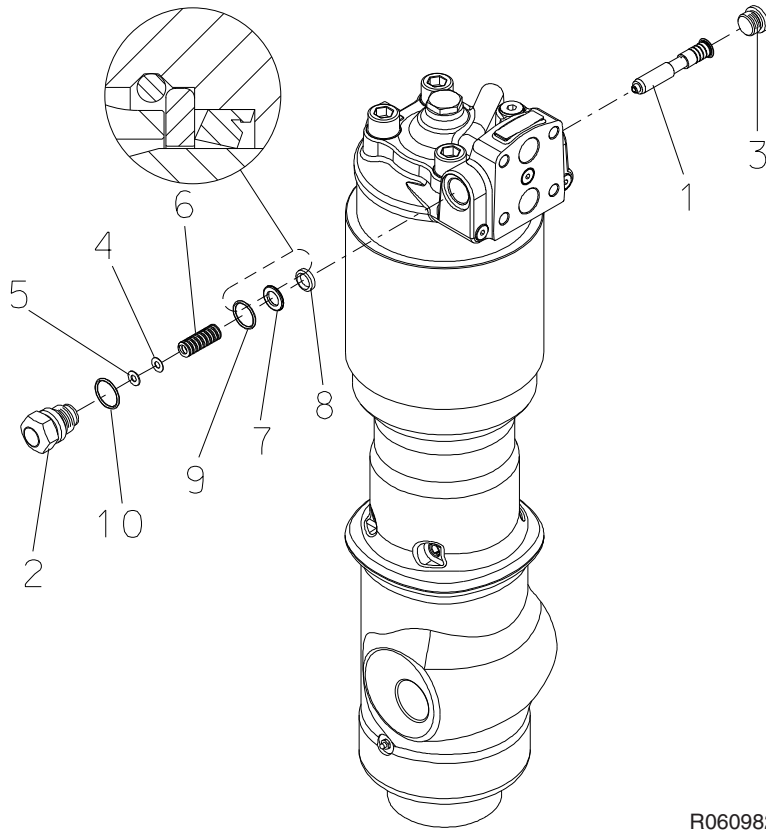
R061210

ACCUMULATORS

Item	Description	Part no.	Specification	Note	Qty
1	Cover (incl. parts 15-19)	76833			1
2	Accumulator bottom	76834			1
3	Membrane	76835			1
4	O-ring	76836	D120	*	1
5	O-ring	76837	D19	*	3
6	O-ring	76838	D24	*	1
7	Assembly ring	76839			1
8	Accumulator cover	76840			1
9	Seal	76841		*	1
10	Membrane	76842			1
11	Shield plug	76843			2
12	O-ring	76844	D23	*	2
13	Filling plug	76845			2
14	Usit-ring	76846	8-13.9-1	*	2
15	Flange plug	76847	R3/8		2
16	Flange plug	76848	R1/4		2
17	Flange plug	76850	R1/2		1
18	Hex. screw	76851	M16x30-8.8 ISO 4017		1
19	Lock washer	76852	M16 NORD-LOCK		1
20	Hex. socket screw	76853	M24x110-12.9 ISO 4762		4
21	Lock washer	76854	M24 NORD-LOCK		4
22	O-ring	76855	D108	*	1
23	O-ring	76856	D182	*	1
	*) Are included in seal set				

PRESSURE ADJUSTING VALVE

PRESSURE ADJUSTING VALVE

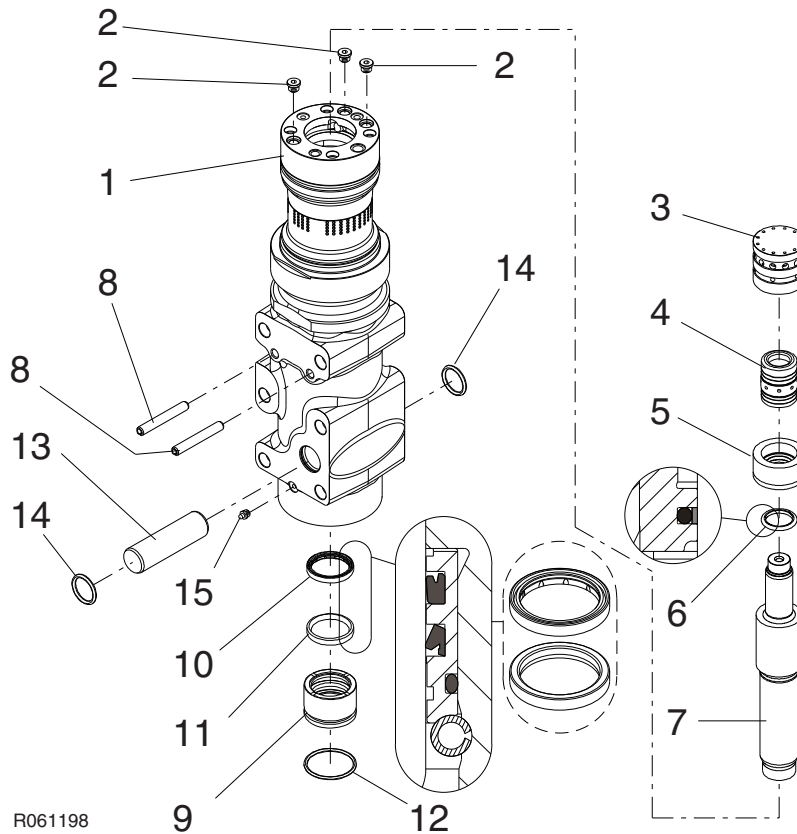


R060982

Item	Description	Part no.	Specification	Note	Qty
1	Pressure adjusting spool	76857			1
2	Spring housing	76858			1
3	Flange plug	76859	R3/4		1
4	Shim plate	76860	S=1		X
5	Shim plate	76861	S=0.5		X
6	Spring	76862			1
7	Washer	76863			1
8	Seal	76864		*	1
9	O-ring	76865	D29	*	1
10	O-ring	76866	D32	*	1
	*) Are included in seal set				

BODY PARTS

BODY PARTS

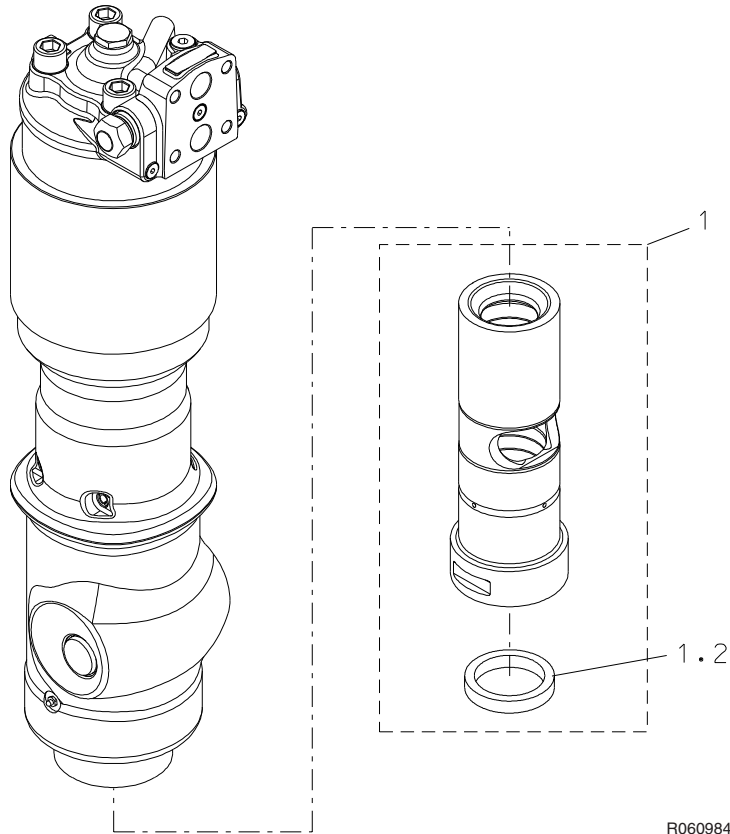


R061198

Item	Description	Part no.	Specification	Note	Qty
1	Cylinder (incl. parts 2 and 15)	76867			1
2	Flange plug	76850	R1/2		3
3	Distributor cover	76868			1
4	Distributor	76869			1
5	Steering ring	76870			1
6	Seal	76871		*	1
7	Piston	76872			1
8	Split pin	76873	16x120 ISO 8752	*	2
9	Seal carrier	76874			1
10	Seal	76875		*	1
11	Seal	76876		*	1
12	O-ring	76877	D94	*	1
13	Tool retaining pin	76878			1
14	O-ring	76879	D50	*	2
15	Grease zerk	76880	R1/8		1
	*) Are included in seal set				

LOWER TOOL BUSHING

LOWER TOOL BUSHING

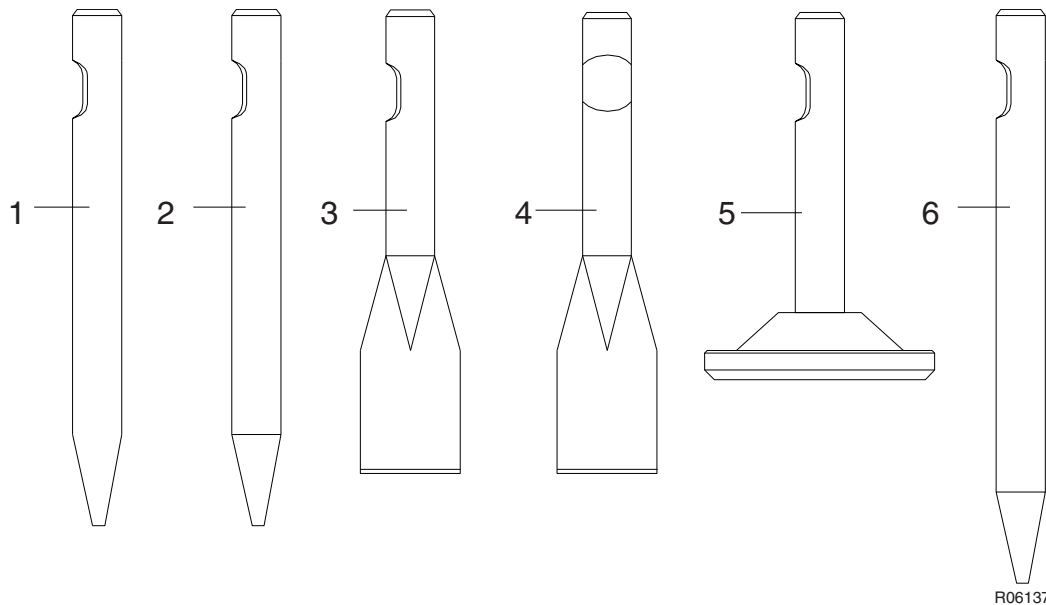


R060984

Item	Description	Part no.	Specification	Note	Qty
1	Lower tool bushing (incl. part 1.2)	76881			1
1.2	Seal	76882		*	1
	*) Are included in seal set				

TOOL

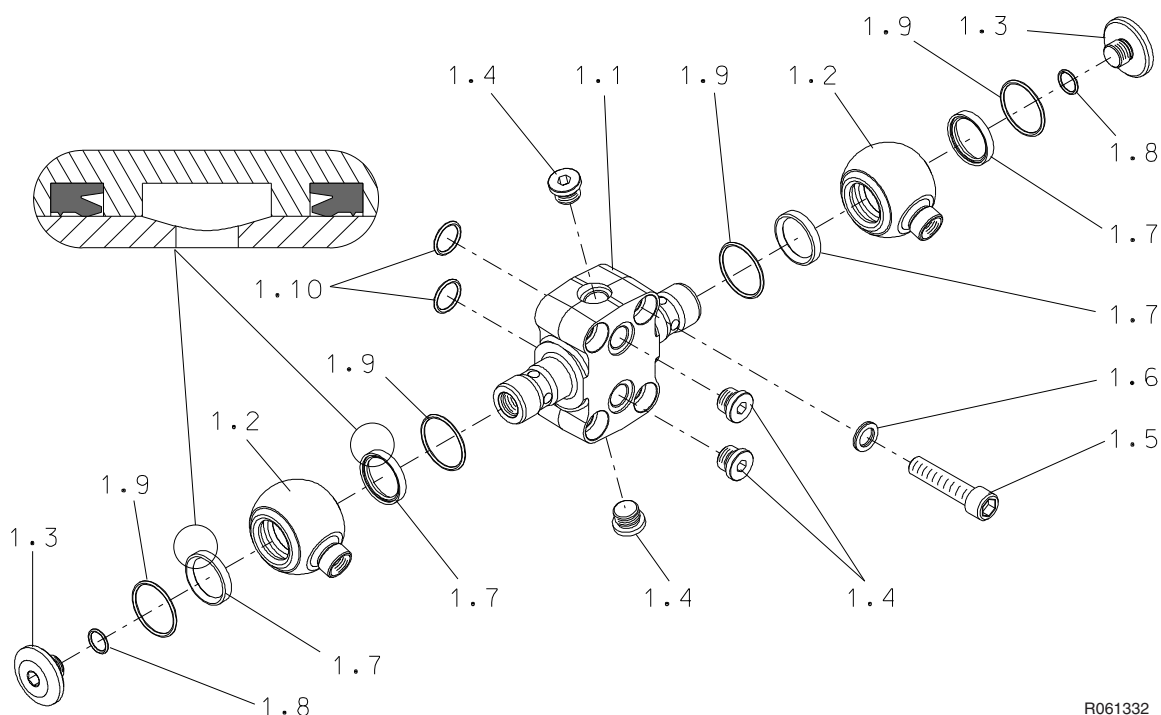
TOOL



Item	Description	Part no.	Specification	Note	Qty
1	Chisel	76883	L = 830 mm, W = 38.5 kg, D = 90 mm		1
2	Moil point	76884	L = 830 mm, W = 38.4 kg, D = 90 mm		1
3	Spade, parallel to boom	76885	L = 840 mm, W = 37.7 kg, Width = 210 mm		1
4	Spade, transverse to boom	76886	L = 840 mm, W = 37.7 kg, Width = 210 mm		1
5	Compacting plate	76887	L = 800 mm, W = 76.6 kg, Plate D = 330 mm		1
6	Long moil point	76888	L = 950 mm, W = 44.4 kg, D = 90 mm		1

SWIVEL COUPLINGS

SWIVEL COUPLINGS

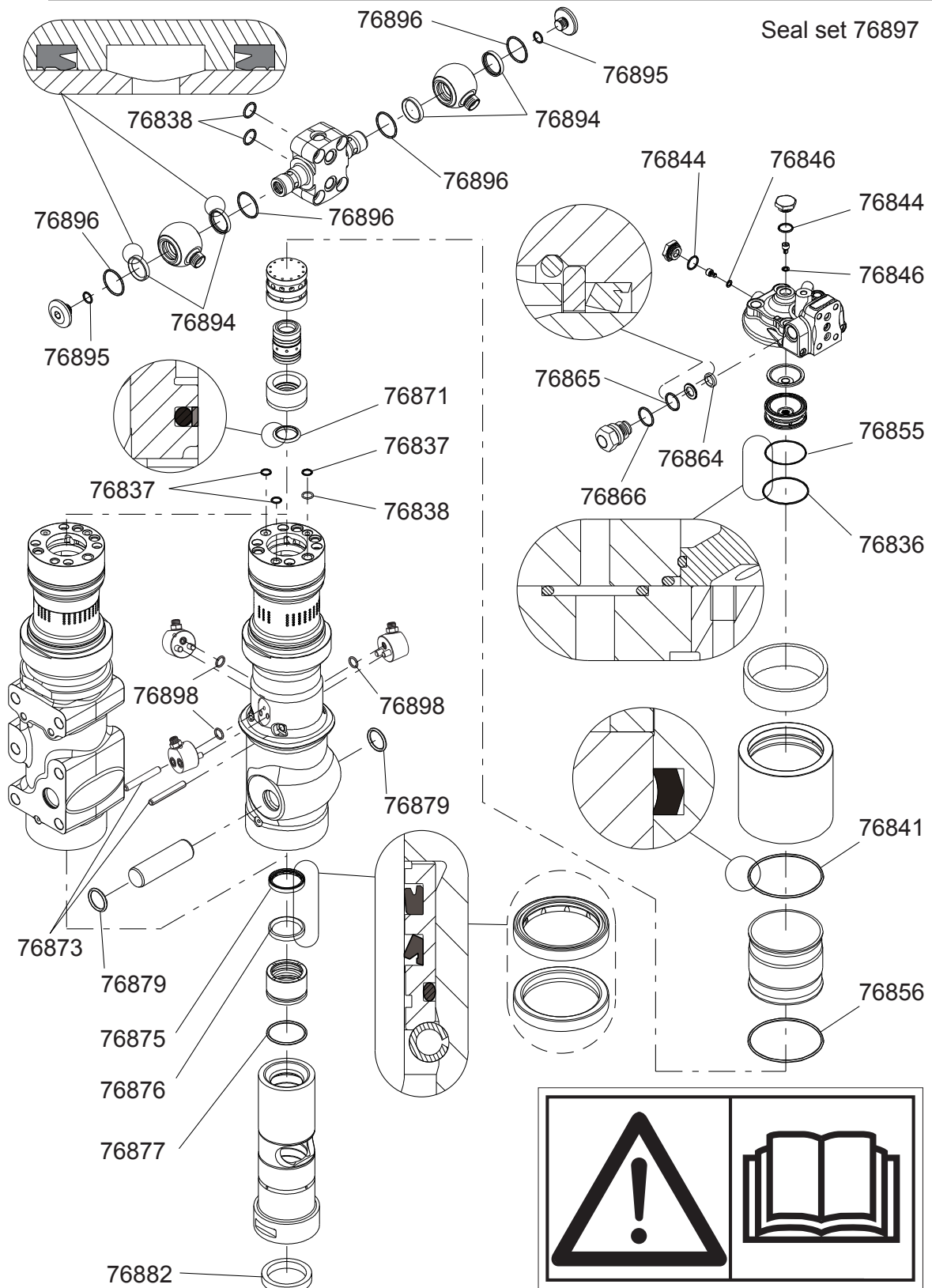


R061332

Item	Description	Part no.	Specification	Note	Qty
1	Swivel couplings (incl. parts 1.1-1.10)	76889	Assembled left handed		1
1.1	Manifold	76890			1
1.2	Swivel	76891			2
1.3	Screw	76892			2
1.4	Flange plug	76850	R1/2		4
1.5	Hex. socket screw	76893	M16x70-8.8 ISO 4762		4
1.6	Lock washer	76852	M16 NORD-LOCK		4
1.7	Seal	76894	D36	*	4
1.8	O-ring	76895	D17	*	2
1.9	O-ring	76896	D44	*	4
1.10	O-ring	76838	D24	*	2
	*) Are included in seal set				

SEAL SET

SEAL SET



This summary only indicates the position of the seals. It must NOT be used as assembly instruction. Read the manual.

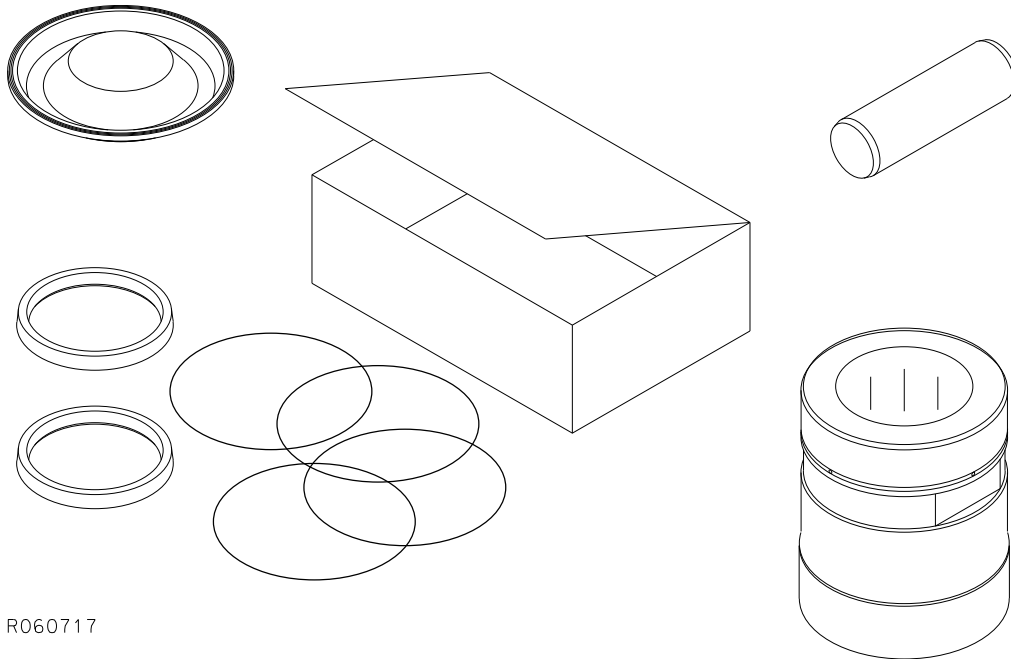
LB060001

SEAL SET

Item	Description	Part no.	Specification	Note	Qty
Kit	Seal set (incl. parts 1-22)	76897			1
1	Seal	76871			
2	Seal	76875			1
3	Seal	76876			1
4	O-ring	76877	D94		1
5	O-ring	76879	D50		2
6	Seal	76864	D18		1
7	O-ring	76865	D29		1
8	O-ring	76866	D32		1
9	O-ring	76836	D120		1
10	O-ring	76837	D19		3
11	O-ring	76838	D24		3
12	Seal	76841			1
13	O-ring	76844	D23		2
14	O-ring	76855	D108		1
15	Seal	76882			1
16	Seal	76894	D36		4
17	O-ring	76895	D17		2
18	O-ring	76896	D44		4
19	Usit-ring	76846	8-13.9-1		2
20	O-ring	76856	D182		1
21	O-ring	76898	D11		3
22	Split pin	76873	16x120 ISO 8752		2

SERVICE KIT

SERVICE KIT



R060717

Item	Description	Part no.	Specification	Note	Qty
Kit	Service kit (incl. parts 1 - 4)	76899			1
1	Membrane	76835			1
2	Membrane	76842			1
3	Lower tool bushing	76881			1
4	Seal set	76897			1



LaBounty
1538 Highway 2
Two Harbors, Minnesota 55616-8015 USA
Phone: (218) 834-2123
Fax: (218) 834-3879