



Original instructions

ENG

9/17

LaBounty

LMB2015

HYDRAULIC BREAKER
Parts manual



Part Number: **PMLMB2015XENG.917**

TABLE OF CONTENTS

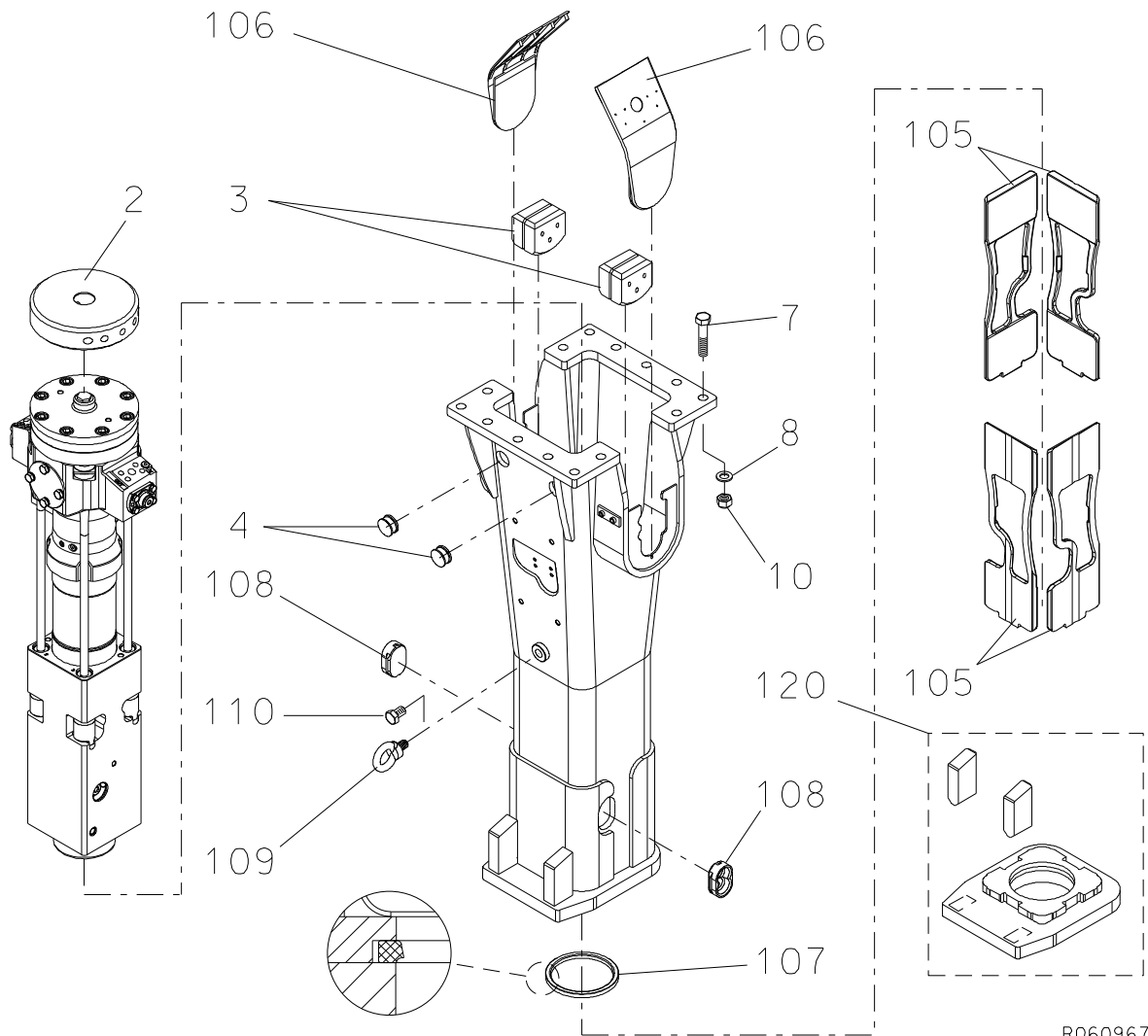
Housing unit	4
Accumulator	6
Main valve	7
Restrictor valve	8
Pressure control valve	10
Tie rods	12
Body parts	13
Front head	15
Lower tool bushing	16
Tool	17
Seal set	18
Service kit	20
Service kit 2	21
Manual greasing	22
Greasing device kit	23
Greasing device	25
SDC service indicator	27

•

PARTS

HOUSING UNIT

HOUSING UNIT



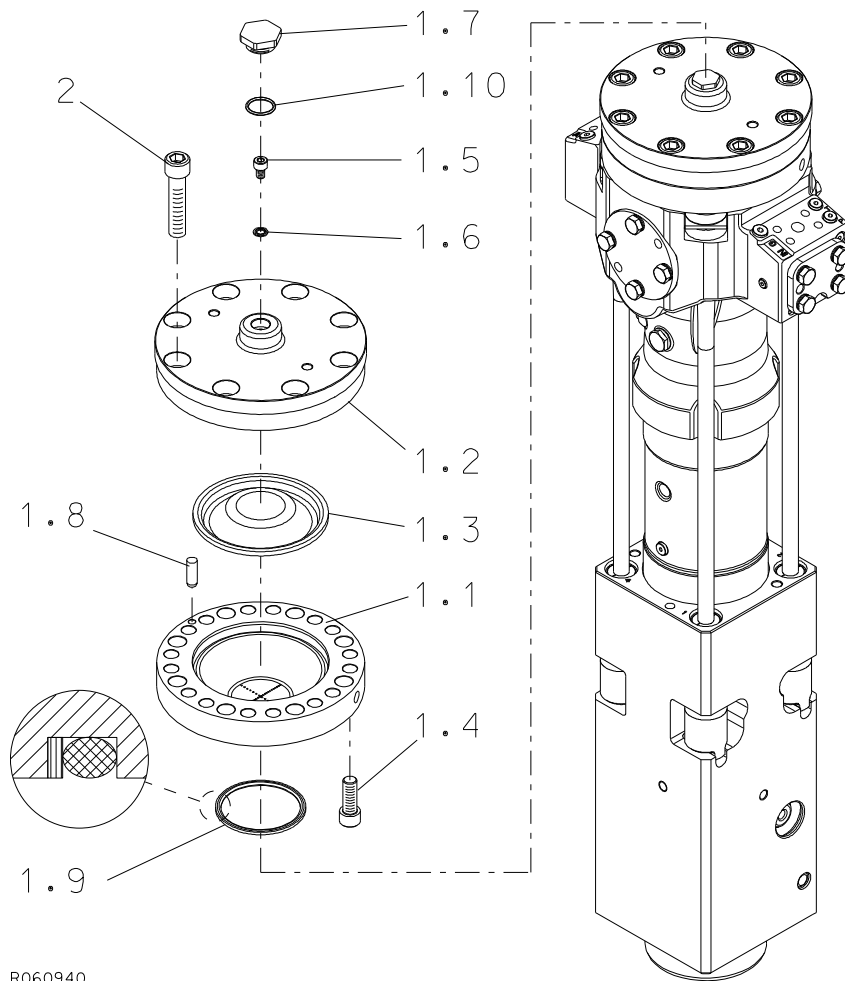
R060967

HOUSING UNIT

Item	Description	Part no.	Specification	Note	Qty
1	Housing (incl. parts 105-110)	76901			1
2	Buffer	76902			1
3	Pad	76903			2
4	Rubber plug	76904			2
7	Hex. screw	76905	M24x110-12.9 ISO 4014		14
8	Washer	76906	25 ISO 7416		14
9	Lock nut	76907	M24-12 DIN 985		14
105	Wear plate	76908			4
106	Shield plate	76909			2
107	Seal	76910			1
108	Rubber plug	76911			2
109	Lifting eye	76912	M24 DIN 580		1
110	Hex. screw	76913	M24x35-8.8 ISO 4017		1
120	Wear parts	76914			1
200	Label set (incl. part 200.1)	76915			1
200.1	Safety label set	76832			1

ACCUMULATOR

ACCUMULATOR

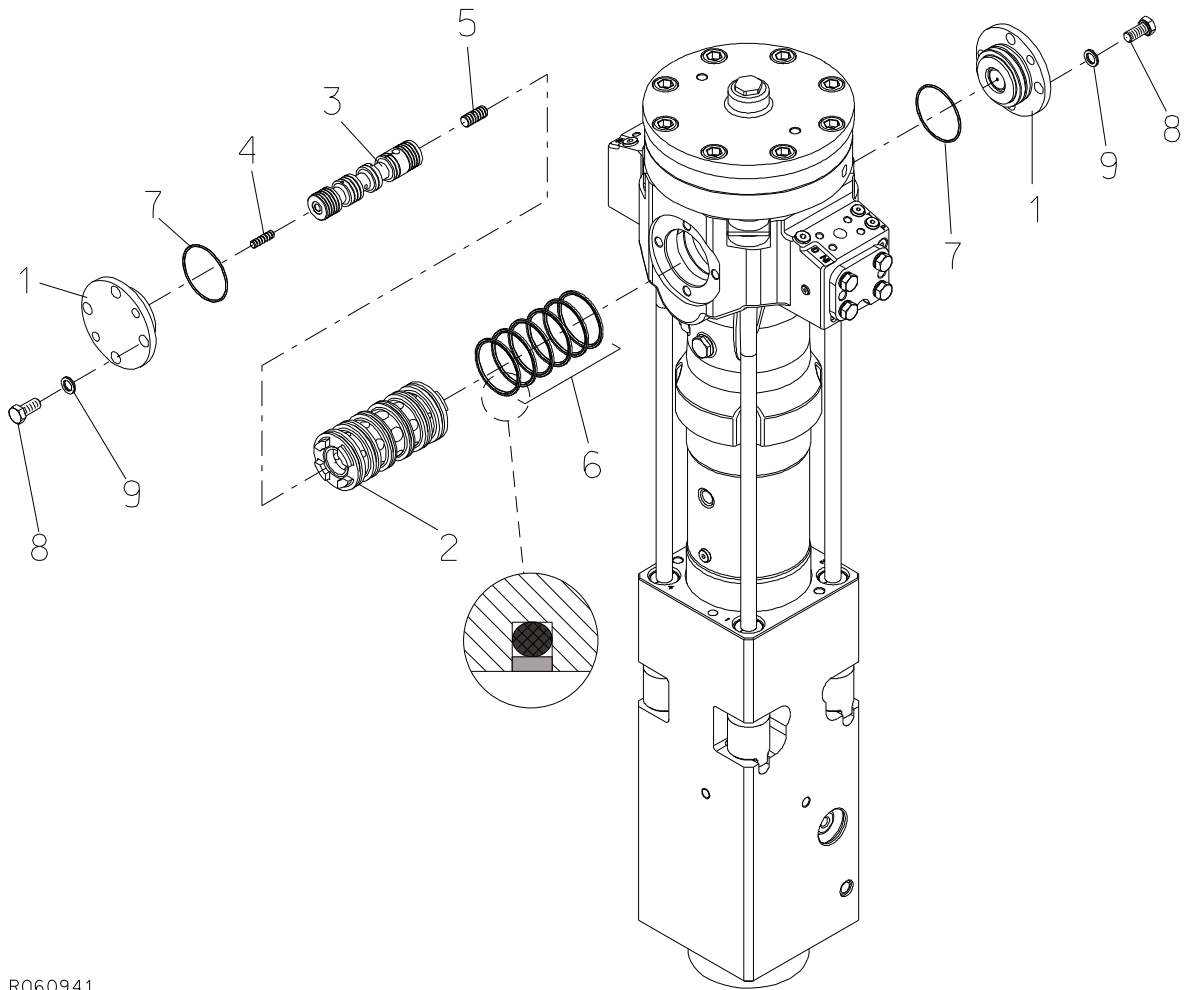


R060940

Item	Description	Part no.	Specification	Note	Qty
1	Accumulator (incl. parts 1.1-1.10)	76916			1
1.1	Accumulator bottom	76917			1
1.2	Accumulator cover	76918			1
1.3	Membrane	76919			1
1.4	Accumulator screw	76920	M20x55-8.8 ISO 4762		16
1.5	Filling plug	76921			1
1.6	Usit-ring	76846	8-13.9-1	*	1
1.7	Shield plug	76922			1
1.8	Parallel pin	76923	10m6x30 ISO 8734		1
1.9	Seal	76924	D114	*	1
1.10	O-ring	76844	D23	*	1
2	Accumulator screw	76925	M24x110-8.8 ISO 4762		8
	*) Are included in seal set				

MAIN VALVE

MAIN VALVE

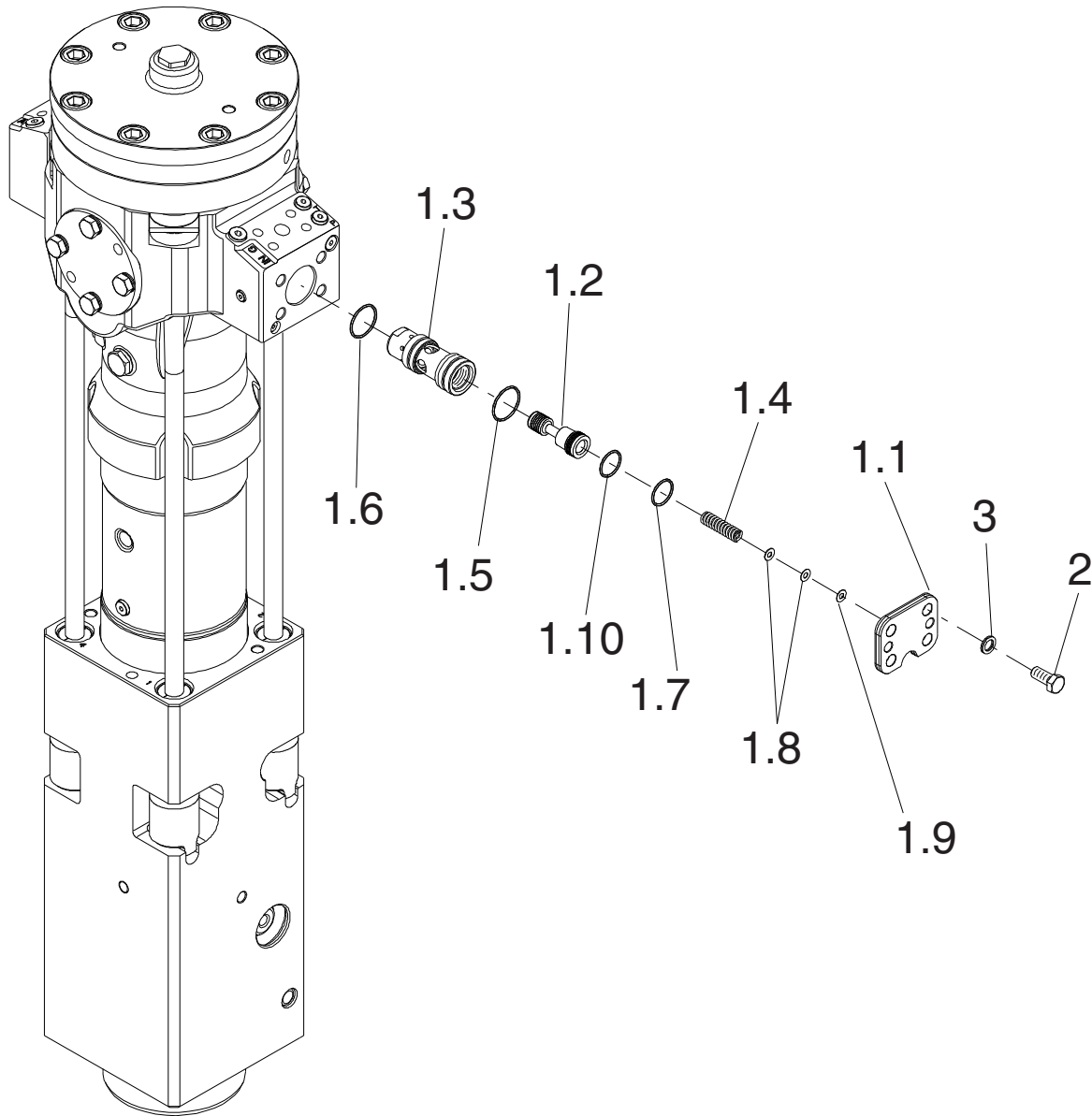


R060941

Item	Description	Part no.	Specification	Note	Qty
1	Cover	76926			2
2	Main valve bushing	76927			1
3	Main spool	76928			1
4	Spool	76929			1
5	Spool	76930			1
6	Seal	76931		*	6
7	O-ring	76932	D85	*	2
8	Hex. screw	76933	M16x35-8.8 ISO 4017		8
9	Lock washer	76852	M16 NORD-LOCK		8
	*) Are included in seal set				

RESTRICTOR VALVE

RESTRICTOR VALVE



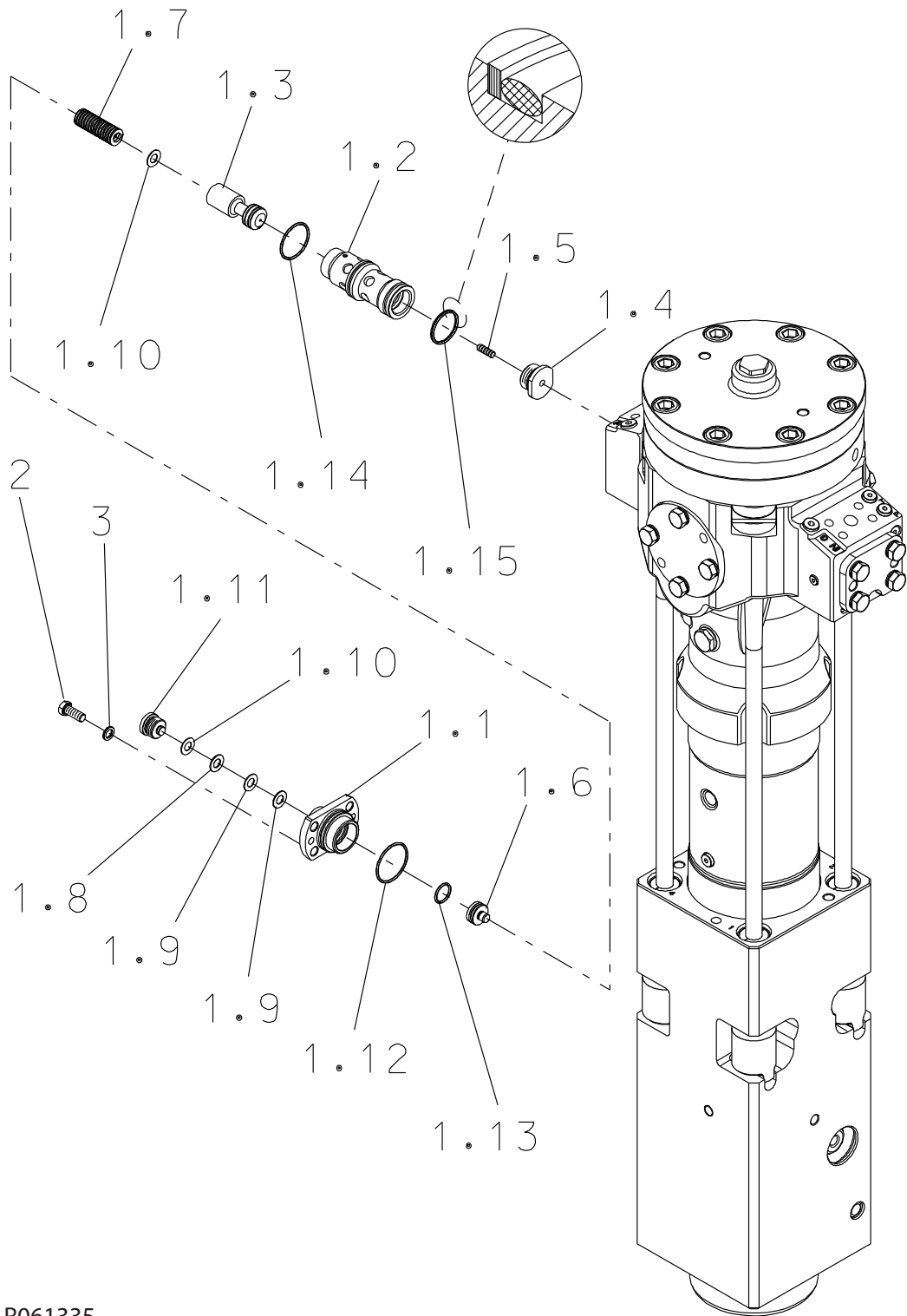
R061374

RESTRICTOR VALVE

Item	Description	Part no.	Specification	Note	Qty
1	Restrictor valve (incl. parts 1.1-1.10)	76934			1
1.1	Cover	76935			1
1.2	Spool	76936			1
1.3	Valve housing	76937			1
1.4	Spring	76938			1
1.5	O-ring	76939	D46	*	1
1.6	O-ring	76940	D44	*	1
1.7	O-ring	76941	D34	*	1
1.8	Shim plate	76861	S=0.5		X
1.9	Shim plate	76860	S=1		X
1.10	Seal	76942		*	1
2	Hex. screw	76933	M16x35-8.8 ISO 4017		4
3	Lock washer	76852	M16 NORD-LOCK		4
	*) Are included in seal set				

PRESSURE CONTROL VALVE

PRESSURE CONTROL VALVE



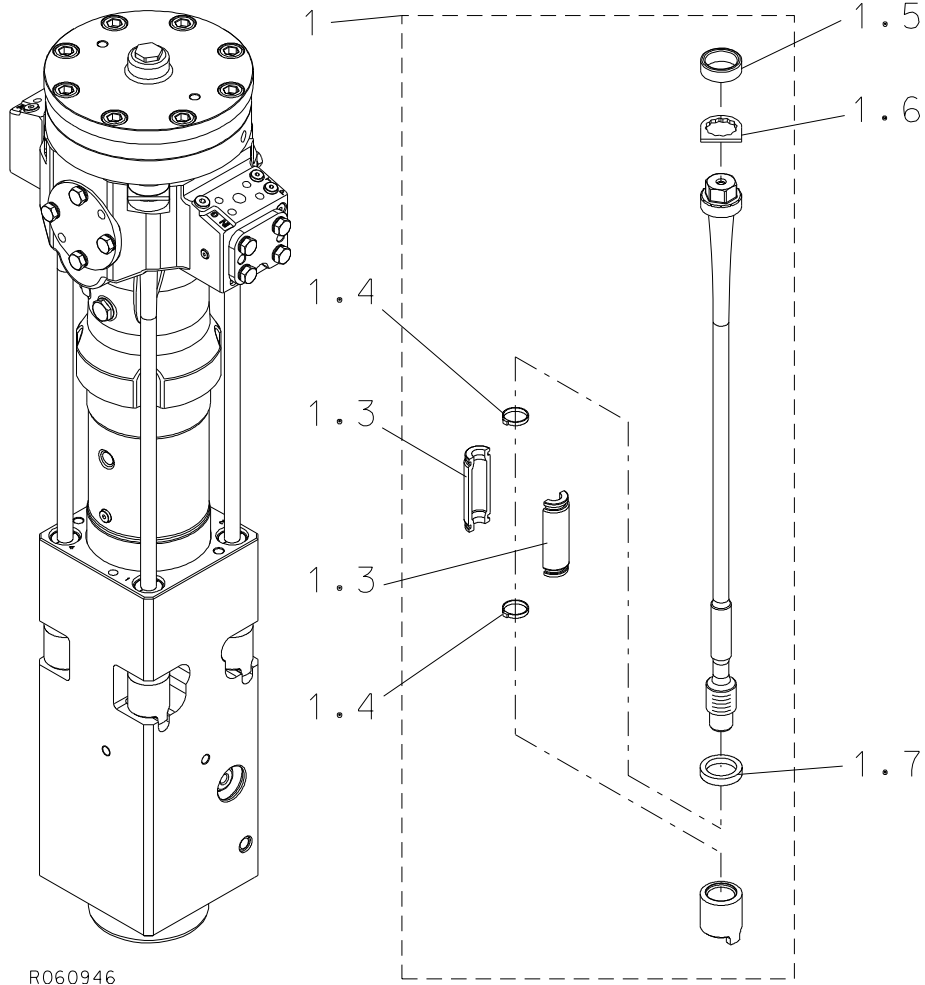
R061335

PRESSURE CONTROL VALVE

Item	Description	Part no.	Specification	Note	Qty
1	Pressure control valve (incl. parts 1.1-1.15)	76943			1
1.1	Cover	76944			1
1.2	Valve housing	76945			1
1.3	Spool	76946			1
1.4	Guide	76947			1
1.5	Spool	76948			1
1.6	Spring guide	76949			1
1.7	Spring	76950			1
1.8	Shim plate	76951	S=0.5		x
1.9	Shim plate	76952	S=1		x
1.10	Shim plate	76953	S=0.75		x
1.11	Plug	76954			1
1.12	O-ring	76955	D54	*	1
1.13	O-ring	76838	D24	*	1
1.14	O-ring	76956	D49	*	1
1.15	Seal	76957		*	1
2	Hex. screw	76958	M12x30-8.8 ISO 4017		4
3	Lock washer	76959	M12 NORD-LOCK		4
	*) Are included in seal set				

TIE RODS

TIE RODS

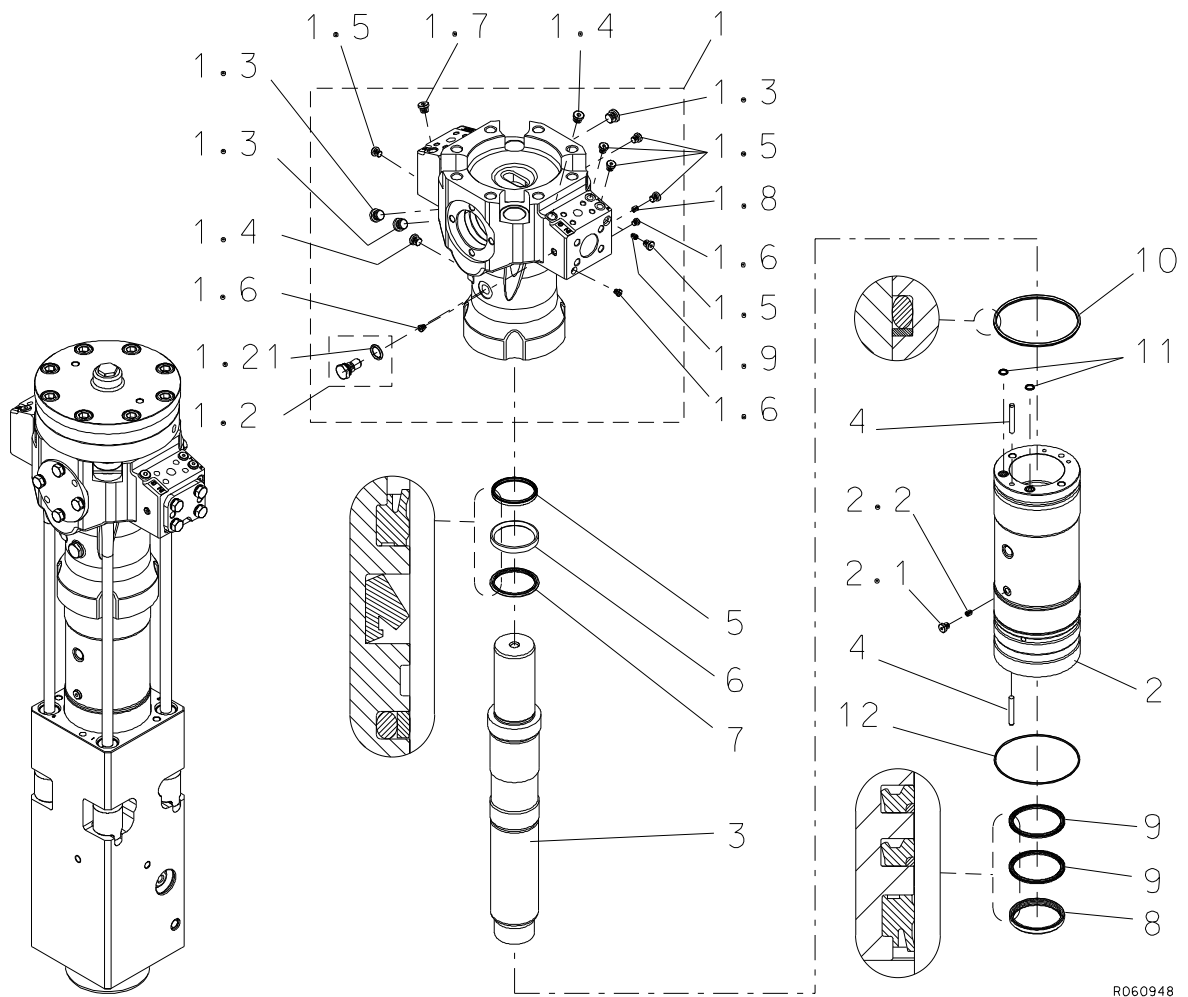


R060946

Item	Description	Part no.	Specification	Note	Qty
1	Tie rod set (incl. parts 1.3-1.7)	76960			4
1.3	Vibration dampening element	76961			2
1.4	Cable tie	76962			2
1.5	Rubber ring	76963			1
1.6	Lock plate	76964			1
1.7	Spacer	76965			1

BODY PARTS

BODY PARTS



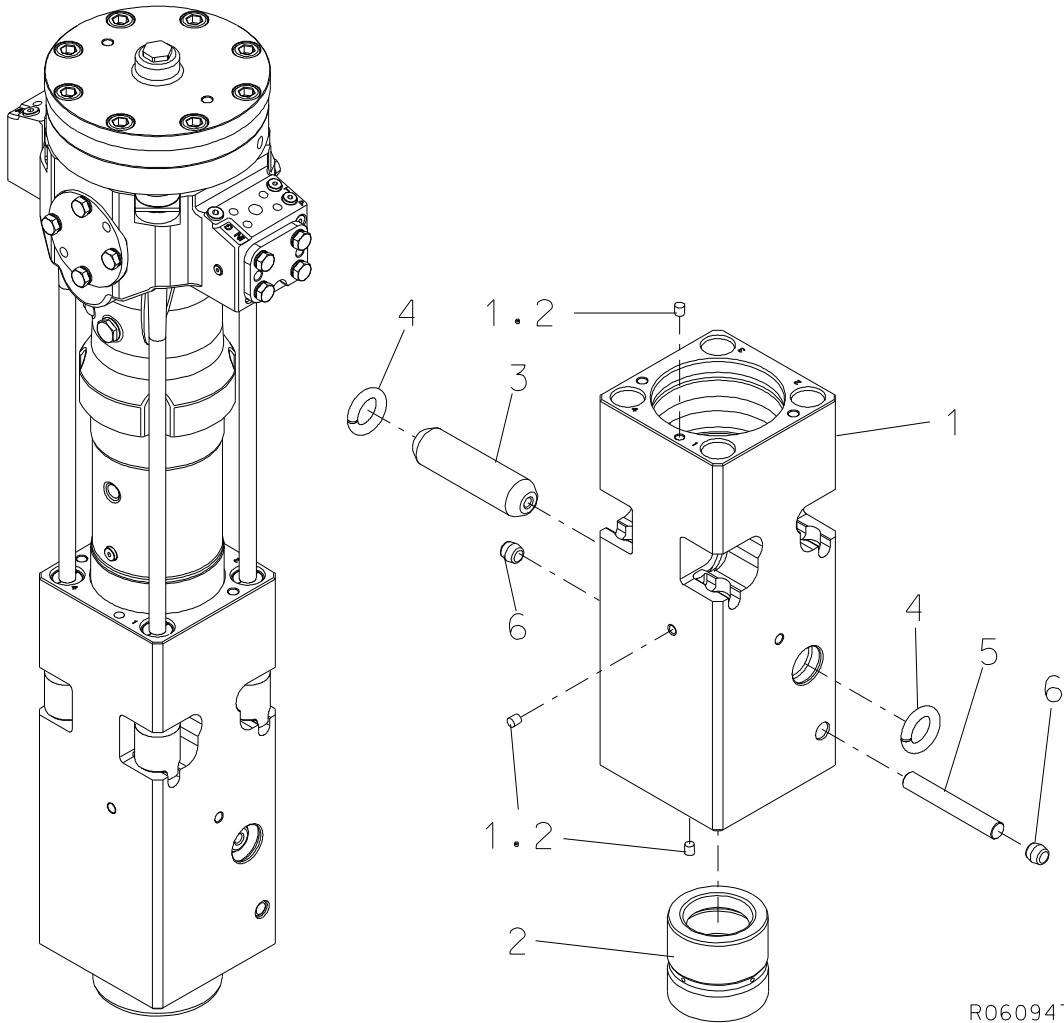
R060948

BODY PARTS

Item	Description	Part no.	Specification	Note	Qty
1	Valve body (incl. parts 1.2-1.9)	76966			1
1.2	Breather (incl. part 1.21)	76967			1
1.21	O-ring	76968	D24	*	1
1.3	Flange plug	76850	R1/2		3
1.4	Flange plug	76847	R3/8		2
1.5	Flange plug	76969	R1/4		6
1.6	Flange plug	76970	R1/8		3
1.7	Breather	76971	R3/8		1
1.8	Nozzle	76972			1
1.9	Nozzle	76973			1
2	Cylinder (incl. parts 2.1-2.2)	76974			1
2.1	Flange plug	76969	R1/4		1
2.2	Hex. screw	76976	M10x12 ISO 4026		1
3	Piston	76977			1
4	Parallel pin	76978	10x70 ISO 8734		2
5	Wiper	76979		*	1
6	Seal	76980		*	1
7	Seal	76981		*	1
8	Wiper	76982		*	1
9	Seal	76983		*	2
10	Seal	76984		*	1
11	O-ring	76985	D14	*	2
12	O-ring	76986	D172	*	1
	*) Are included in seal set				

FRONT HEAD

FRONT HEAD

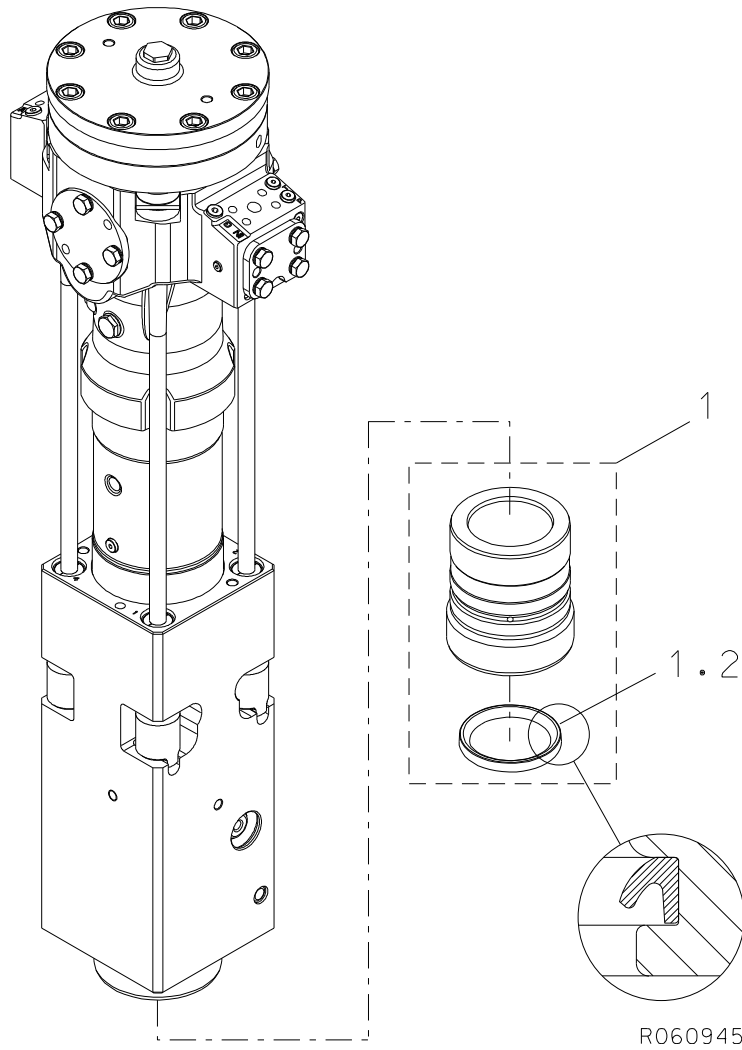


R060947

Item	Description	Part no.	Specification	Note	Qty
1	Front head (incl. part 1.2)	76987			1
1.2	Plug	76988			3
2	Upper tool bushing	76989			1
3	Tool retaining pin	76990			1
4	Ring	76991			2
5	Retaining pin	76992			1
6	Rubber plug	76993			2

LOWER TOOL BUSHING

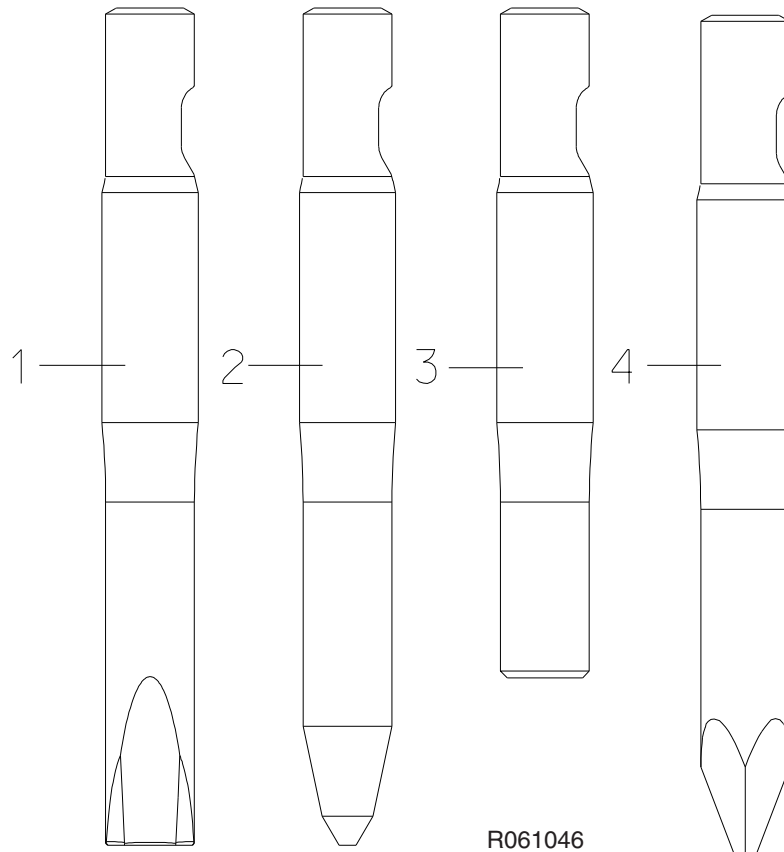
LOWER TOOL BUSHING



Item	Description	Part no.	Specification	Note	Qty
1	Lower tool bushing (incl. part 1.2)	76994			1
1.2	Seal	76995			1

TOOL

TOOL

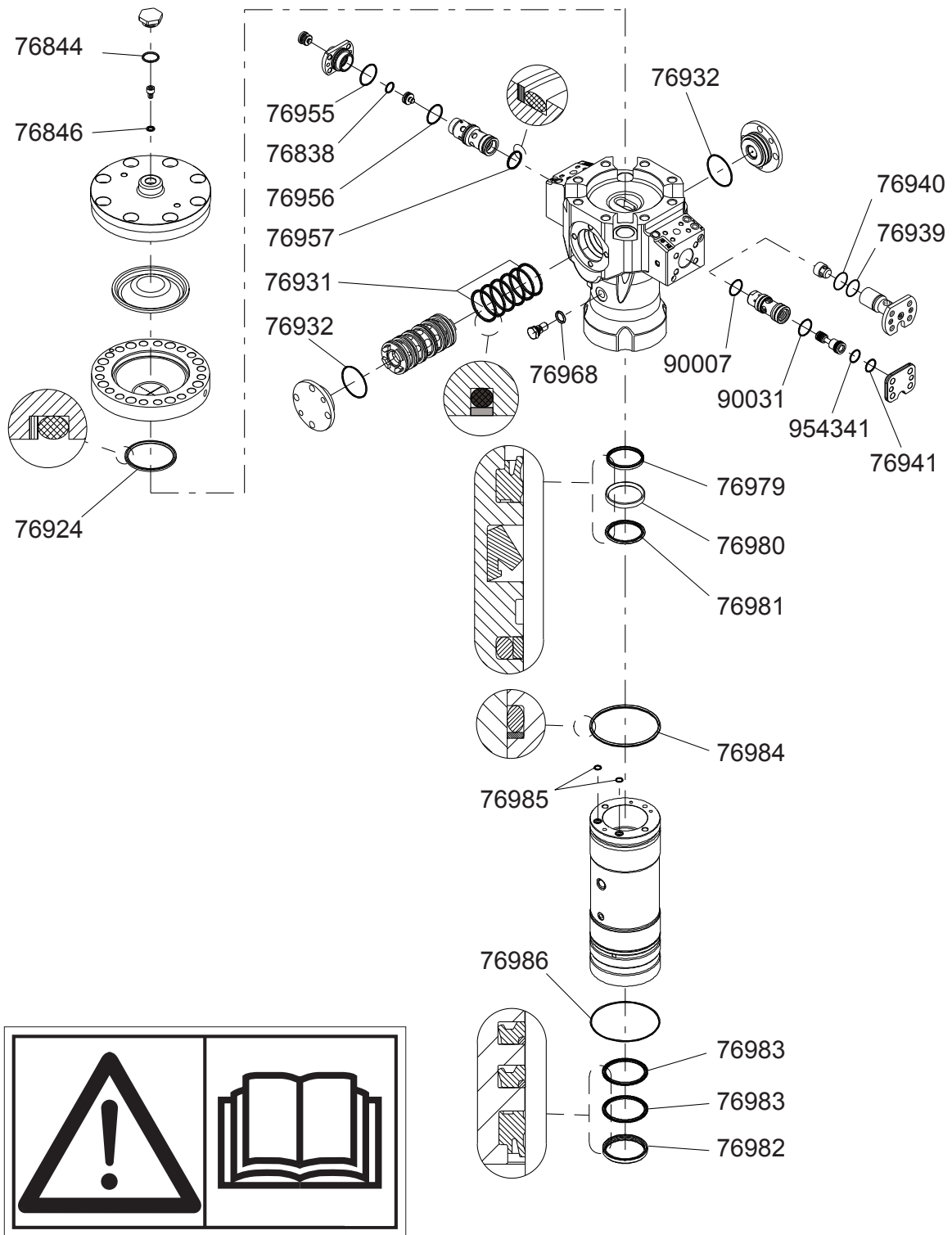


Item	Description	Part no.	Specification	Note	Qty
1	Chisel	76996	L = 1000 mm, W = 67 kg, D = 115 mm		1
2	Moil point	76997	L = 1000 mm, W = 67 kg, D = 115 mm		1
3	Blunt	76998	L = 800 mm, W = 58 kg, D = 115 mm		1
4	Pyramid	76999	L = 1000 mm, W = 66 kg, D = 115 mm		1

SEAL SET

SEAL SET

Seal set 77703



This summary only indicates the position of the seals. It must NOT be used as assembly instruction. Read the manual.

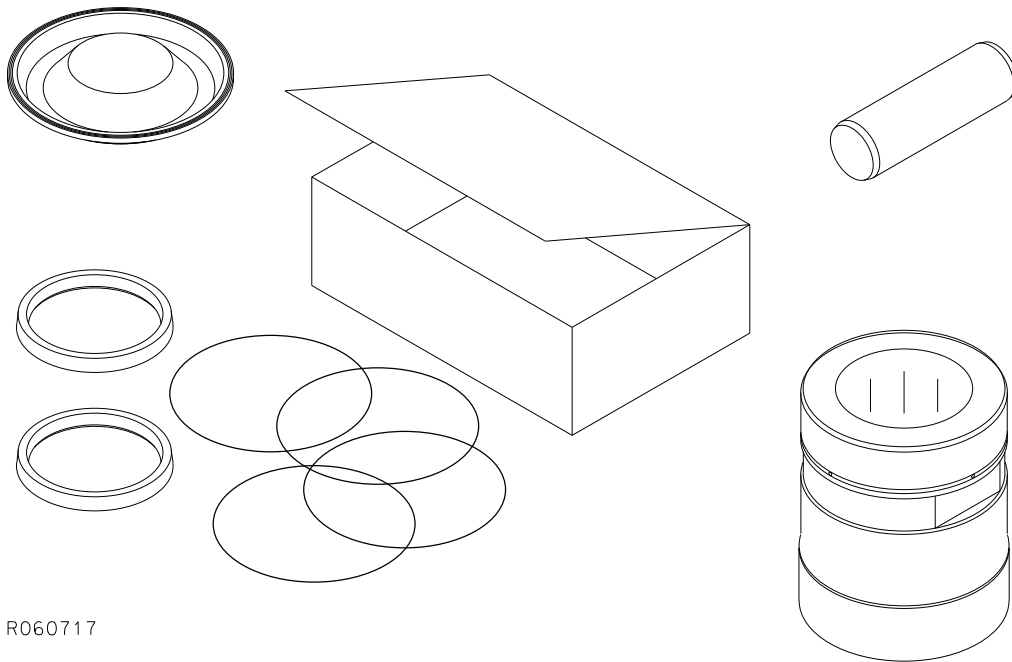
LB060002

SEAL SET

Item	Description	Part no.	Specification	Note	Qty
Kit	Seal set (incl. parts 1-22)	77703			1
1	Usit-ring	76846	8-13.9-1		1
2	Seal	76924	D114		1
3	O-ring	76844	D23		1
4	O-ring	76955	D54		1
5	O-ring	76838	D24		1
6	O-ring	76956	D49		1
7	Seal	76957			1
8	Seal	76931			6
9	O-ring	76932	D85		2
10	O-ring	76939	D46		1
11	O-ring	76940	D44		1
12	O-ring	76941	D34		1
13	O-ring	76968	D24		1
14	Wiper	76979			1
15	Seal	76980			1
16	Seal	76981			1
17	Wiper	76982			1
18	Seal	76983			2
19	Seal	76984			1
20	O-ring	76985	D14		2
21	O-ring	76986	D172		1
22	Seal	76942			1
	The seals for greasing device are not included in this seal set. They are included in the service kit for greasing device.				

SERVICE KIT

SERVICE KIT

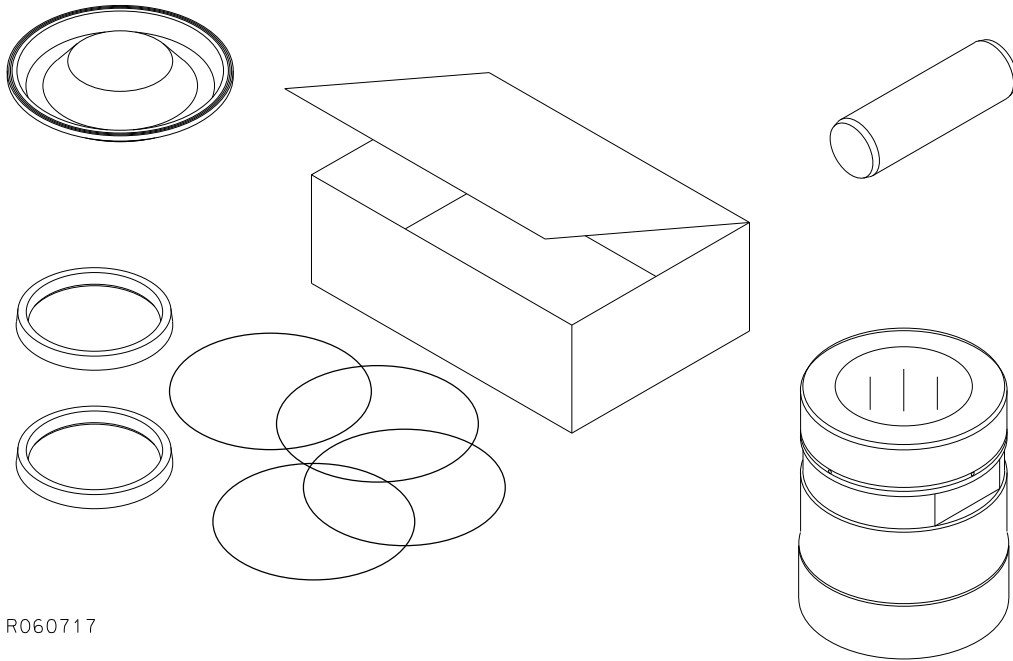


R060717

Item	Description	Part no.	Specification	Note	Qty
Kit	Service kit (incl. parts 1 - 4)	77704			1
1	Membrane	76919			1
2	Tool retaining pin	76990			1
3	Lower tool bushing	76994			1
4	Seal set	77703			1

SERVICE KIT 2

SERVICE KIT 2

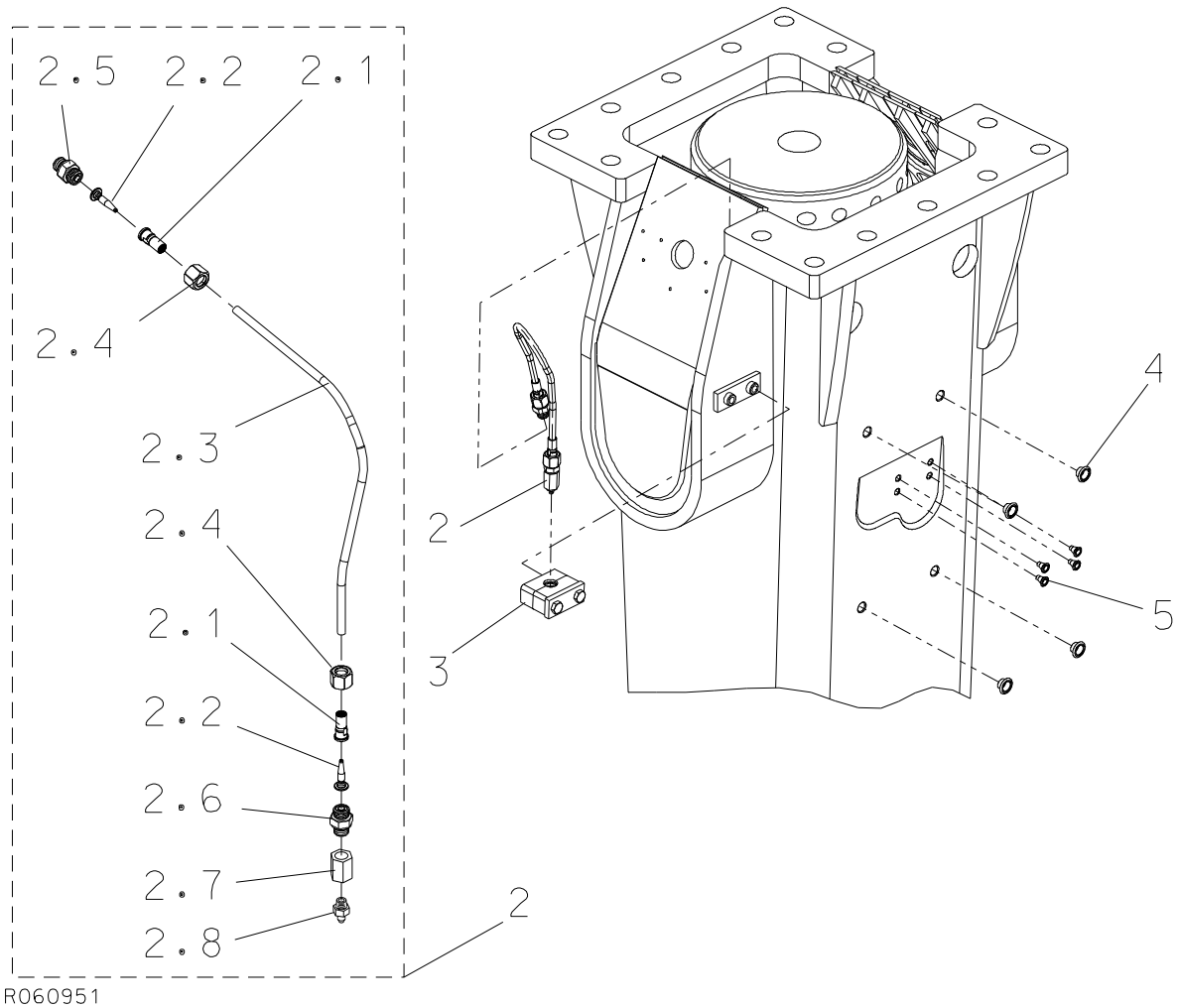


R060717

Item	Description	Part no.	Specification	Note	Qty
Kit	Service kit (incl. parts 1 - 4)	77705			1
1	Buffer	76902			1
2	Pad	76903			2
3	Wear plate	76908			4
4	Upper tool bushing	76989			1

MANUAL GREASING

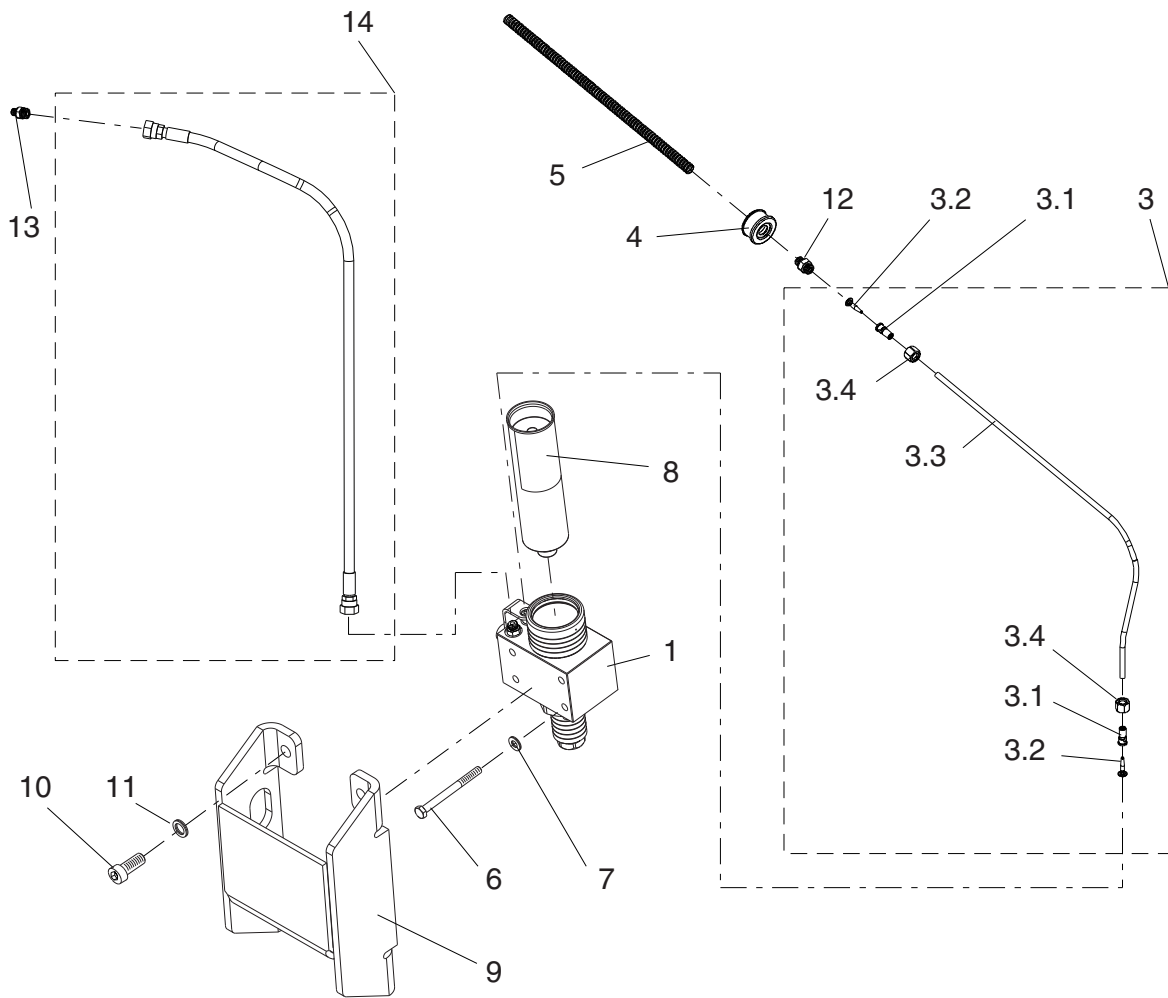
MANUAL GREASING



Item	Description	Part no.	Specification	Note	Qty
2	Hose assembly (incl. parts 2.1-2.8)	77706			1
2.1	Sleeve	77707			2
2.2	Insert	77708			2
2.3	Hose	77709	L=480		1
2.4	Nut	77710			2
2.5	Connector	77711	BSPP 3/8		1
2.6	Connector	77712	BSPP 1/4		1
2.7	Adapter	77713			1
2.8	Grease zerk	77714			1
3	Pipe clamp	77715			1
4	Plug	77716			4
5	Plug	77717			4

GREASING DEVICE KIT

GREASING DEVICE KIT



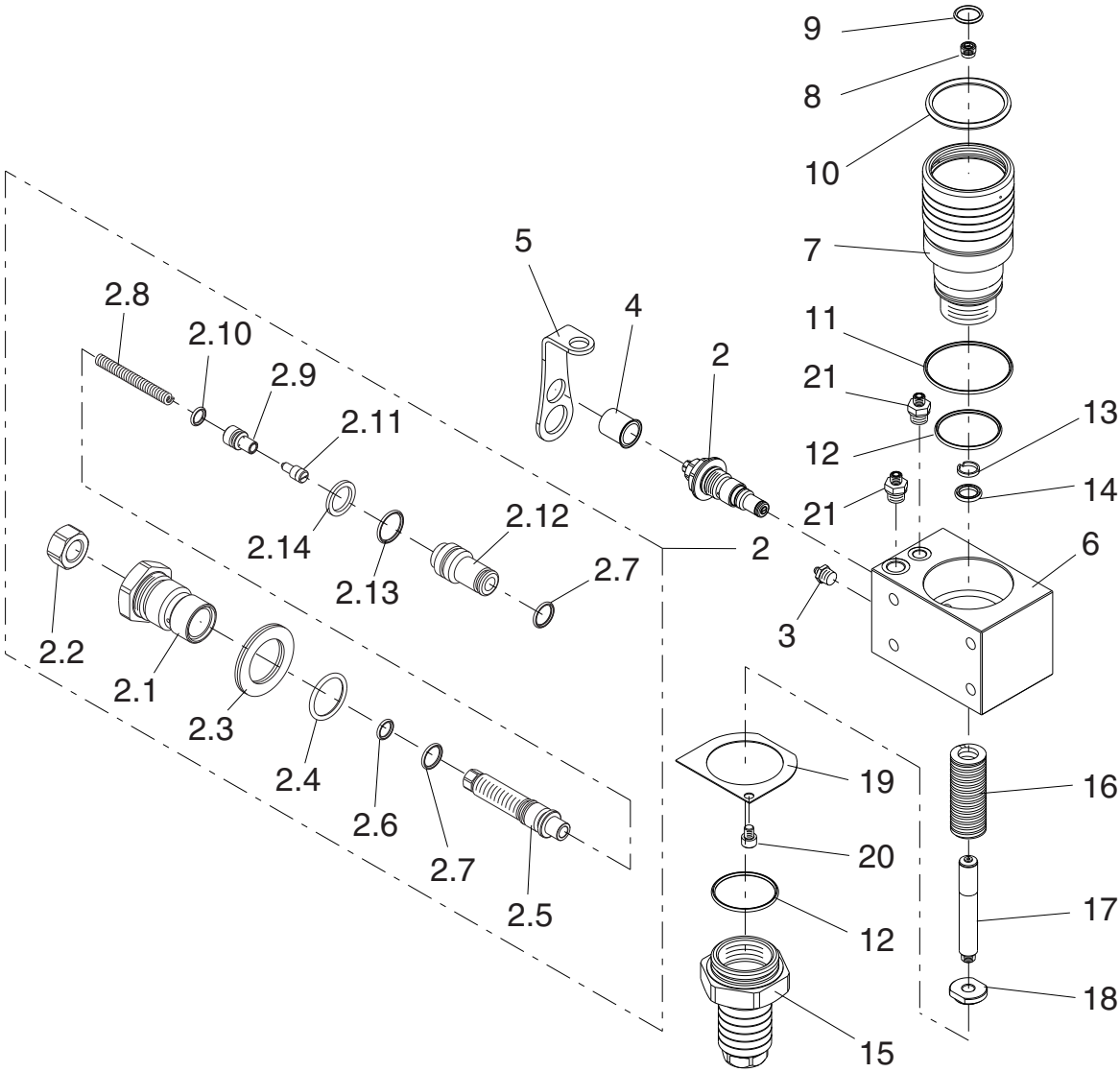
R061348

GREASING DEVICE KIT

Item	Description	Part no.	Specification	Note	Qty
1	Greasing device RG541	77719			1
3	Hose assembly (incl. parts 3.1-3.4)	77720			1
3.1	Sleeve	77707			2
3.2	Insert	77708			2
3.3	Hose	77721			1
3.4	Nut	77710			2
4	Rubber bushing	77722			1
5	Shield	77723			1
6	Hex. screw	77724	M10x110-8.8 ISO 4014		4
7	Lock washer	77725	M10 NL10sp NORD-LOCK		4
8	Grease cartridge	77726	Special tool grease, Greasing device cartridge. Greasing device cartridges are also sold in boxes of 24.		1
9	Shield	77727			1
10	Hex. socket screw	77728	M16x35-8.8 ISO 4762		4
11	Lock washer	76852	M16 NORD-LOCK		4
12	Connector	77711	BSPP 3/8		1
13	Connector	77712	BSPP 1/4		1
14	Hose assembly	77729			1

GREASING DEVICE

GREASING DEVICE



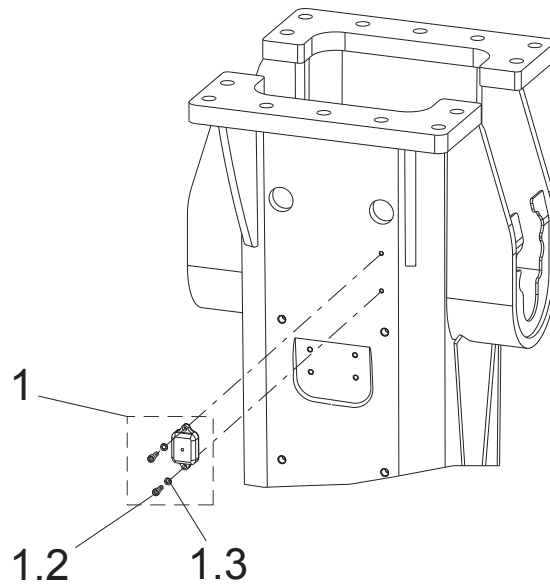
R061070

GREASING DEVICE

Item	Description	Part no.	Specification	Note	Qty
1	Greasing device RG541 (incl. parts 2-21)	77719			1
2	Dozer (incl. parts 2.1-2.14)	77730			1
2.1	Plug	77731			1
2.2	Nut	77732	M12x1 DIN 934		1
2.3	Lock washer	76854	M24 NORD-LOCK	*	1
2.4	O-ring	77733	D21	*	1
2.5	Adjusting screw	77734			1
2.6	O-ring	77735	D8	*	1
2.7	O-ring	77736	D11	*	2
2.8	Spring	77737		*	1
2.9	Piston	77738			1
2.10	O-ring	77739	D7	*	1
2.11	Piston	77740		*	1
2.12	Body	77741			1
2.13	O-ring	77742	D15	*	1
2.14	Shim plate	77743		*	1
3	Grease zerk	77714	BSP 1/4	*	1
4	Plug	77744		*	1
5	Locking plate	77745			1
6	Body	77746			1
7	Cartridge holder	77747			1
8	Check valve	77748			1
9	O-ring	77749	D19	*	1
10	O-ring	77750	D62	*	1
11	O-ring	77751	D71	*	1
12	O-ring	77752	D52	*	2
13	Guide ring	77753		*	1
14	Seal	77754		*	1
15	Spring housing	77755			1
16	Spring	77756			1
17	Piston	77757			1
18	Nut	77758			1
19	Lock plate	77759		*	1
20	Hex. socket screw	77760	M8x10-8.8 ISO 4762	*	1
21	Connector	77712	BSPP 1/4		3
kit	Seal set for greasing device	77761			1
	*) Are included in seal set for greasing device				

SDC SERVICE INDICATOR

SDC SERVICE INDICATOR



LB060009

Item	Description	Part no.	Specification	Note	Qty
1	SDC service indicator (incl. parts 1.2-1.3)	77762			1
1.2	Hex. socket screw	79177	M8x25- 8.8 ISO 4762		2
1.3	Lock washer	79178	M8 NORD-LOCK		2



LaBounty
1538 Highway 2
Two Harbors, Minnesota 55616-8015 USA
Phone: (218) 834-2123
Fax: (218) 834-3879