



Original instructions

ENG

9/17

LaBounty

LMB2620

HYDRAULIC BREAKER
Parts manual



Part Number: **PMLMB2620XENG.917**

TABLE OF CONTENTS

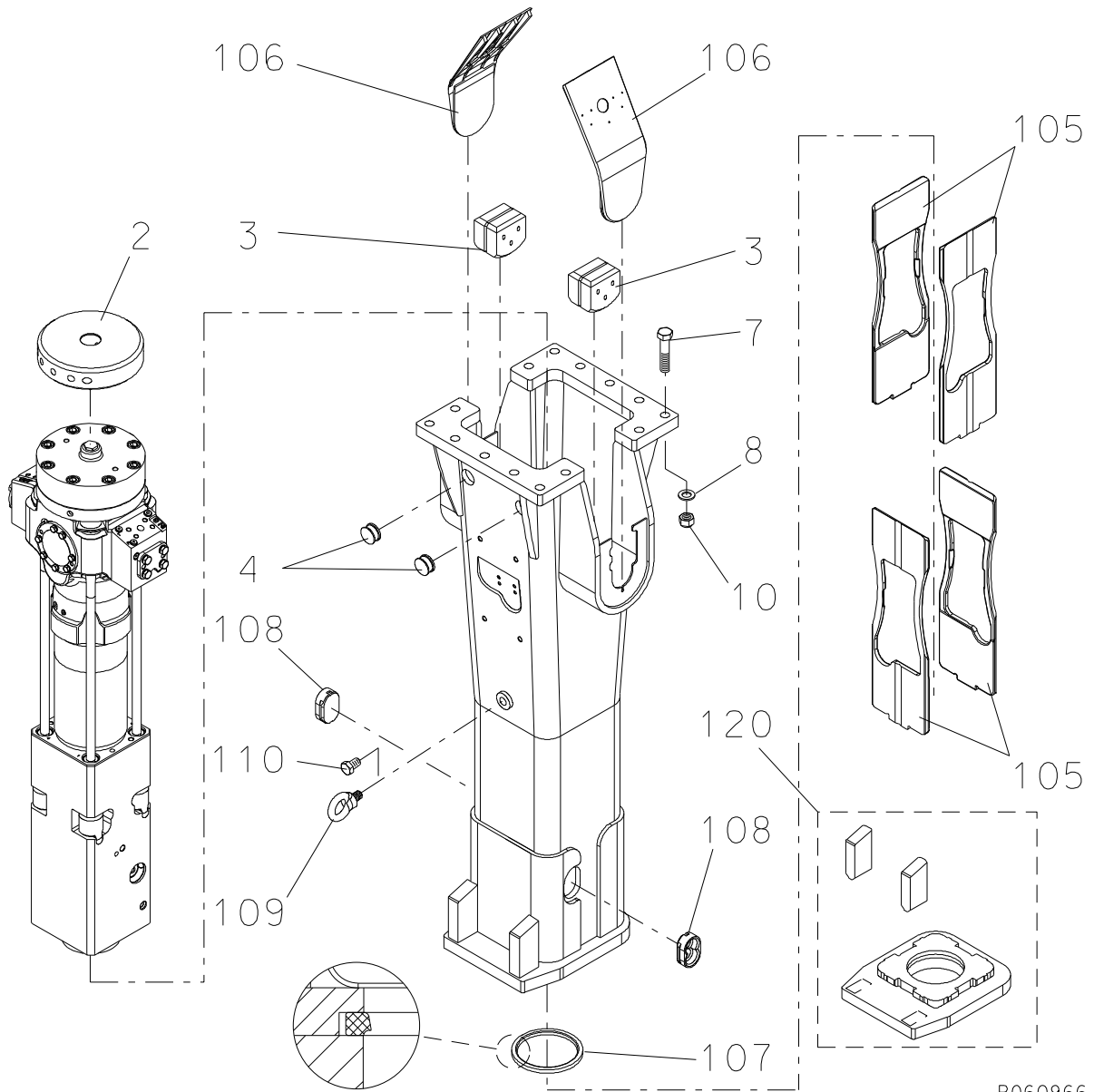
Housing unit	4
Accumulator	6
Main valve	7
Restrictor valve	8
Pressure control valve	10
Tie rods	12
Body parts	14
Front head	16
Lower tool bushing	17
Tool	18
Seal set	19
Service kit	21
Service kit 2	22
Manual greasing	23
Greasing device kit	24
Greasing device	26
SDC service indicator	28

•

PARTS

HOUSING UNIT

HOUSING UNIT

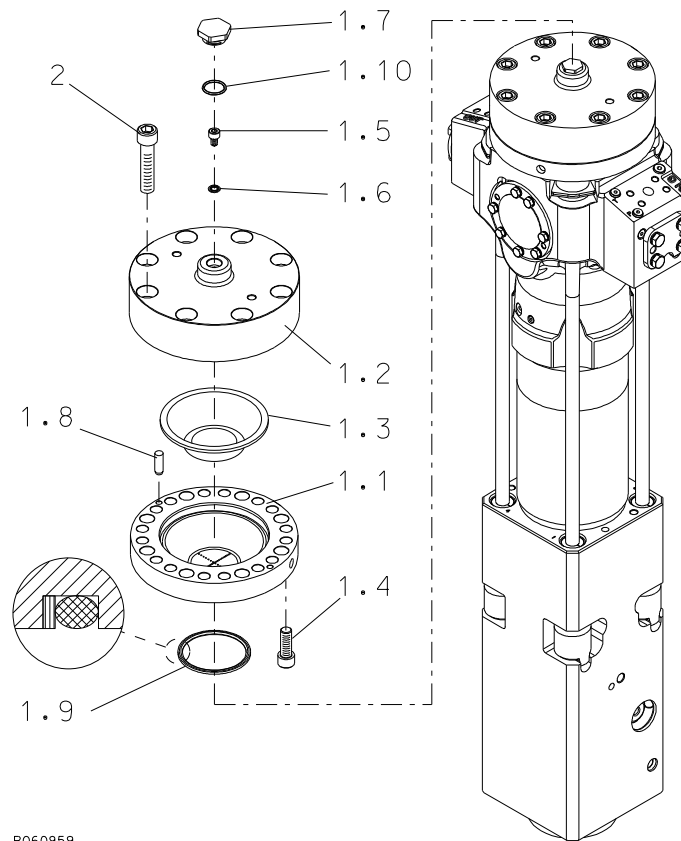


HOUSING UNIT

Item	Description	Part no.	Specification	Note	Qty
1	Housing (incl. parts 105-110)	77769			1
2	Buffer	77770			1
3	Pad	77771			2
4	Rubber plug	76904			2
7	Hex. screw	76905	M24x110-12.9 ISO 4014		14
8	Washer	76906	25 ISO 7416		14
9	Lock nut	76907	M24-12 DIN 985		14
105	Wear plate	77772			4
106	Shield plate	77773			2
107	Seal	76910			1
108	Rubber plug	76911			2
109	Lifting eye	76912	M24 DIN 580		1
110	Hex. screw	76913	M24x35-8.8 ISO 4017		1
120	Wear parts	77774			1
200	Label set (incl. part 200.1)	77775			1
200.1	Safety label set	76832			1

ACCUMULATOR

ACCUMULATOR

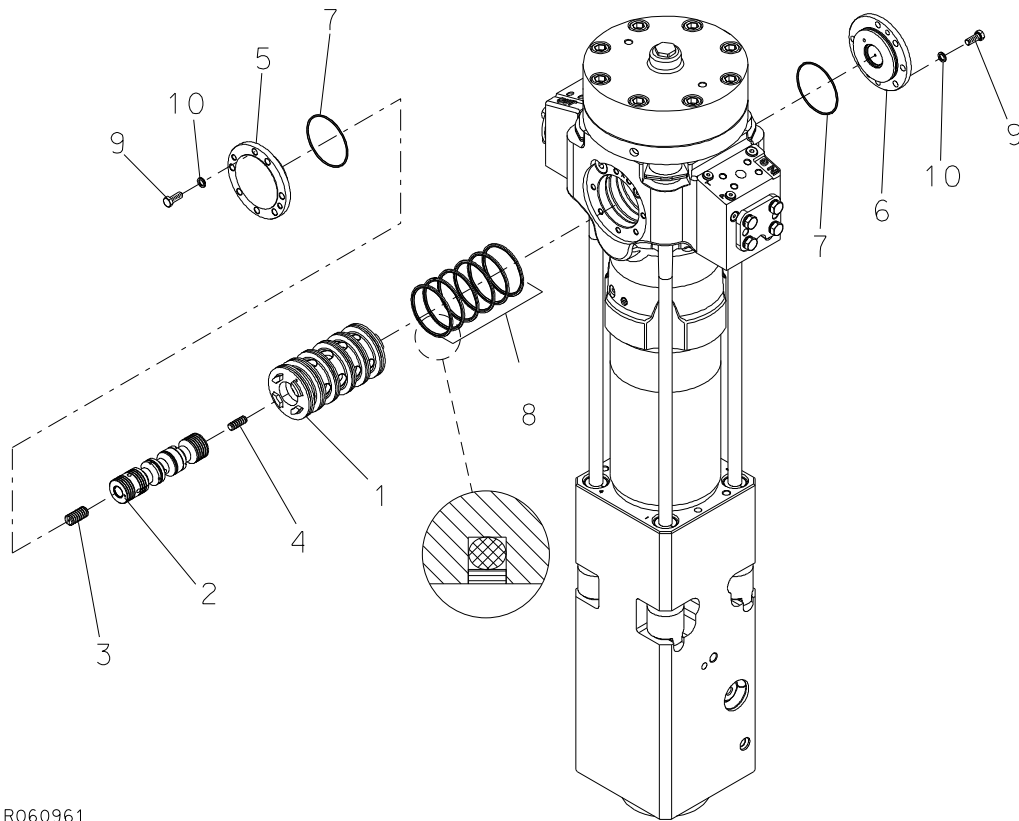


R060959

Item	Description	Part no.	Specification	Note	Qty
1	Accumulator (incl. parts 1.1-1.10)	77776			1
1.1	Accumulator bottom	77777			1
1.2	Accumulator cover	77778			1
1.3	Membrane	77779			1
1.4	Accumulator screw	77780			16
1.5	Filling plug	76921			1
1.6	Usit-ring	76846	8-13.9-1	*	1
1.7	Shield plug	76922			1
1.8	Parallel pin	77781	10x24 ISO 8734		2
1.9	Seal	76924	D114	*	1
1.10	O-ring	76844	D23	*	1
2	Accumulator screw	77782	M24x130-8.8 ISO 4762		8
	*) Are included in seal set				

MAIN VALVE

MAIN VALVE

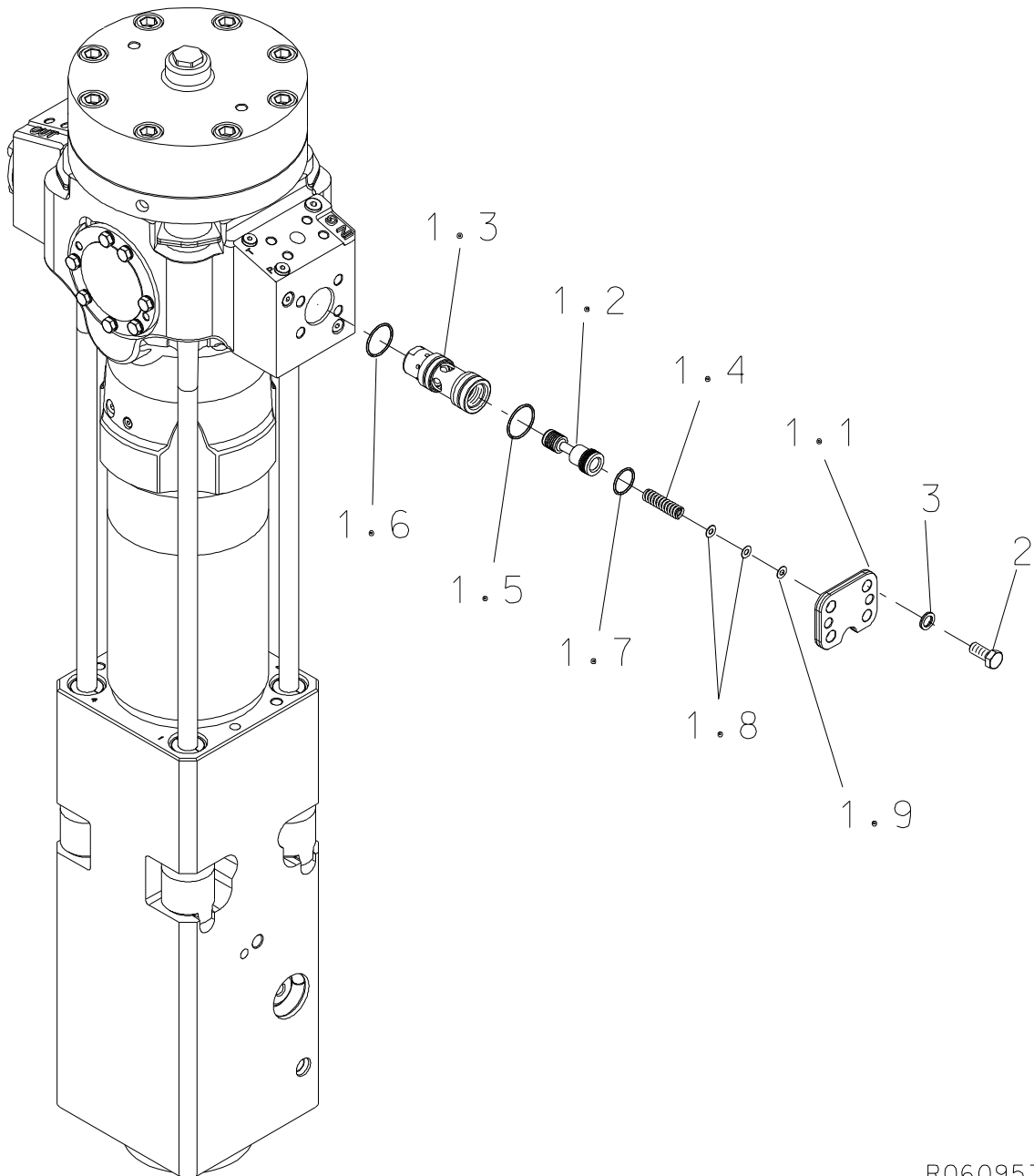


R060961

Item	Description	Part no.	Specification	Note	Qty
1	Main valve bushing	77783			1
2	Main spool	77784			1
3	Spool	77785			1
4	Spool	77786			1
5	Cover	77787			1
6	Cover	77788			1
7	O-ring	77789	D105	*	2
8	Seal	77790	D110	*	6
9	Hex. screw	77791	M12x30-10.9 ISO 4017		14
10	Lock washer	76959	M12 NORD-LOCK		14
	*) Are included in seal set				

RESTRICTOR VALVE

RESTRICTOR VALVE



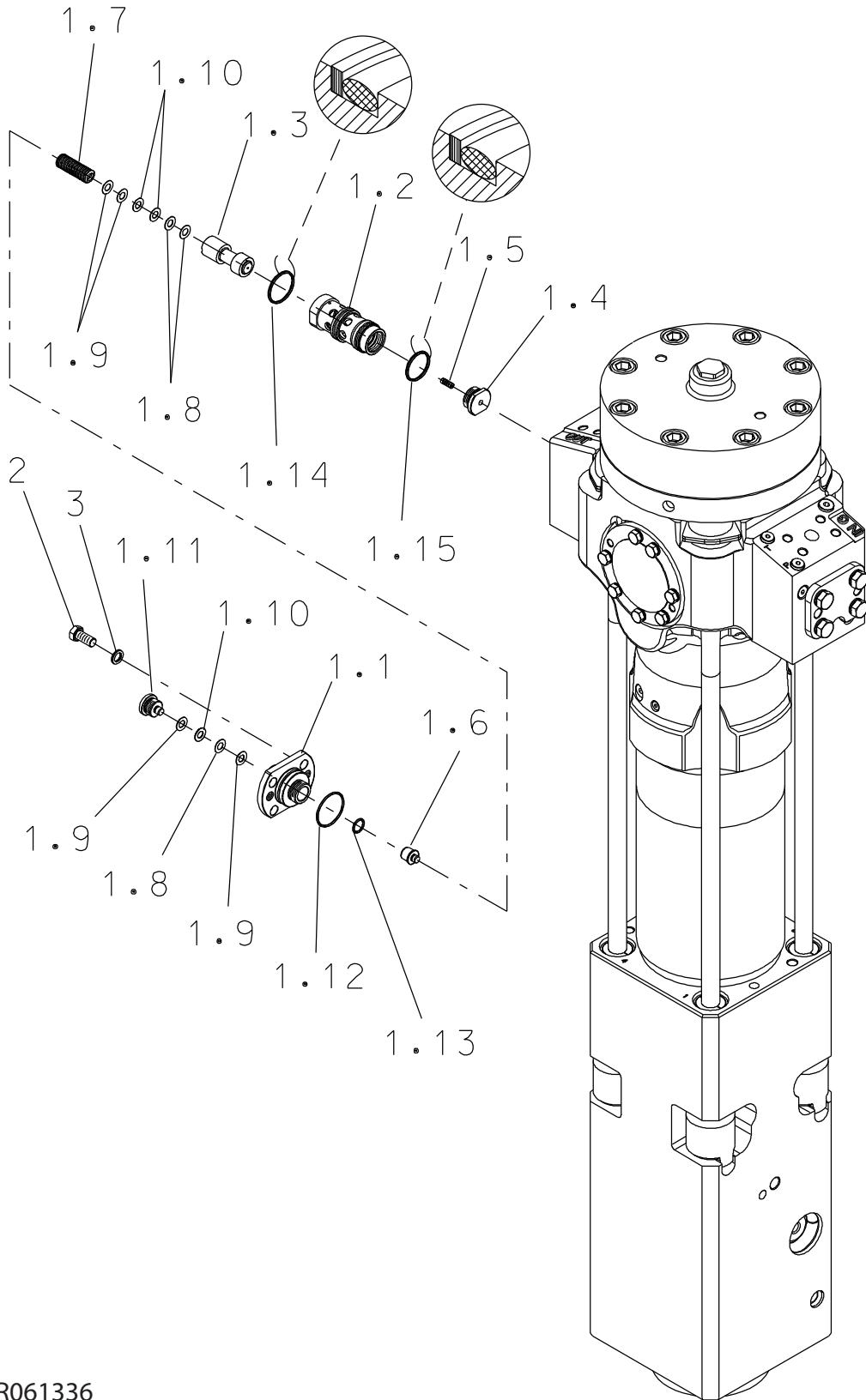
R060957

RESTRICTOR VALVE

Item	Description	Part no.	Specification	Note	Qty
1	Restrictor valve (incl. parts 1.1-1.9)	77792			1
1.1	Cover	76935			1
1.2	Spool	77793			1
1.3	Valve housing	77794			1
1.4	Spring	76938			1
1.5	O-ring	76939	D46	*	1
1.6	O-ring	76940	D44	*	1
1.7	O-ring	76941	D34	*	1
1.8	Shim plate	76861	S=0.5		X
1.9	Shim plate	76860	S=1		X
2	Hex. screw	76933	M16x35-8.8 ISO 4017		4
3	Lock washer	76852	M16 NORD-LOCK		4
	*) Are included in seal set				

PRESSURE CONTROL VALVE

PRESSURE CONTROL VALVE



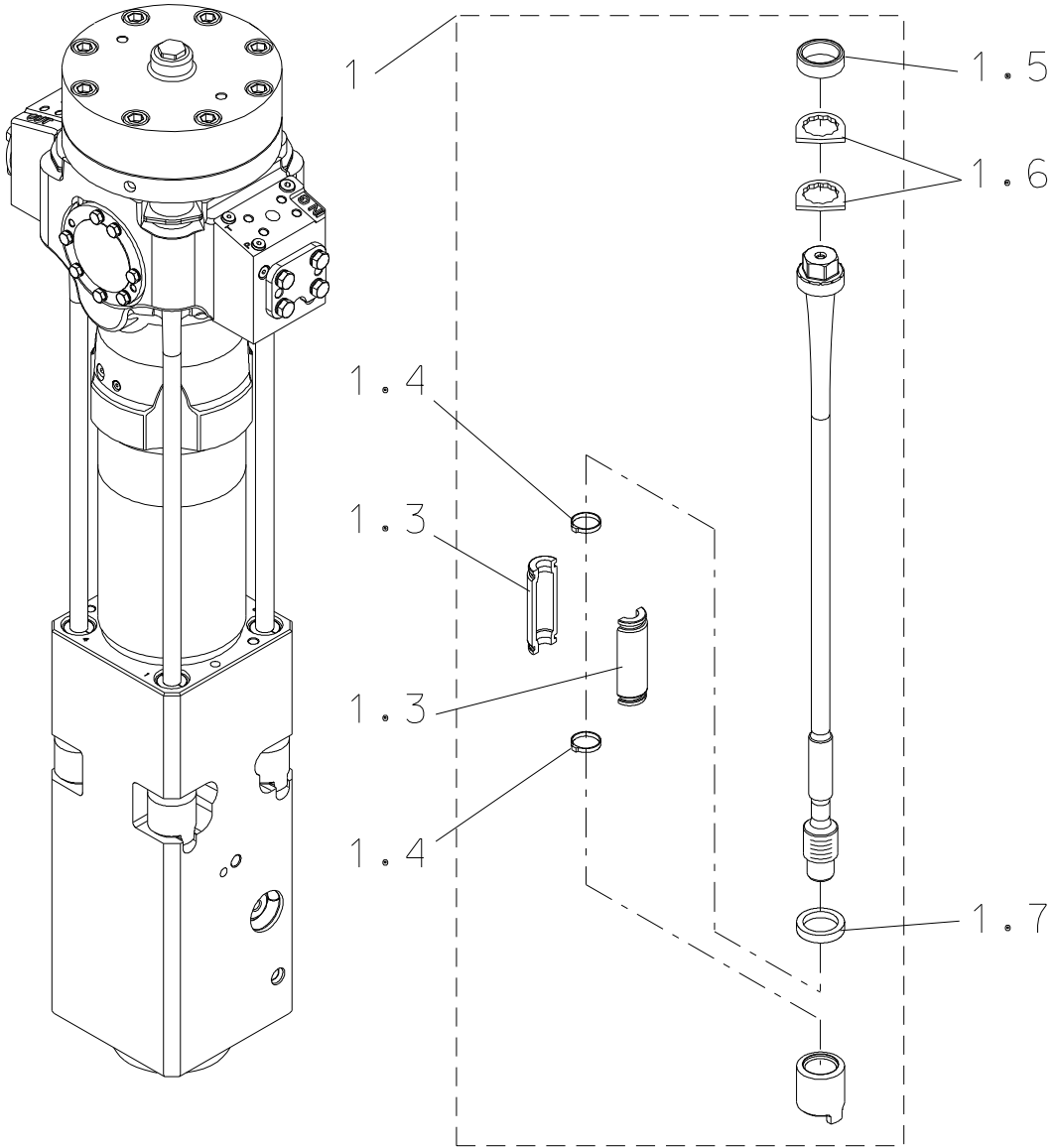
R061336

PRESSURE CONTROL VALVE

Item	Description	Part no.	Specification	Note	Qty
1	Pressure control valve (incl. parts 1.1-1.15)	77795			1
1.1	Cover	77796			1
1.2	Valve housing	77797			1
1.3	Spool	77798			1
1.4	Guide	77799			1
1.5	Spool	78062			1
1.6	Spring guide	78063			1
1.7	Spring	76950			1
1.8	Shim plate	76951	S=0.5		x
1.9	Shim plate	76952	S=1		x
1.10	Shim plate	76953	S=0.75		x
1.11	Plug	78064			1
1.12	O-ring	78065	D60	*	1
1.13	O-ring	78066	D21	*	1
1.14	Seal	78067		*	1
1.15	Seal	78068		*	1
2	Hex. screw	76933	M16x35-8.8 ISO 4017		4
3	Lock washer	76852	M16 NORD-LOCK		4
	*) Are included in seal set				

TIE RODS

TIE RODS

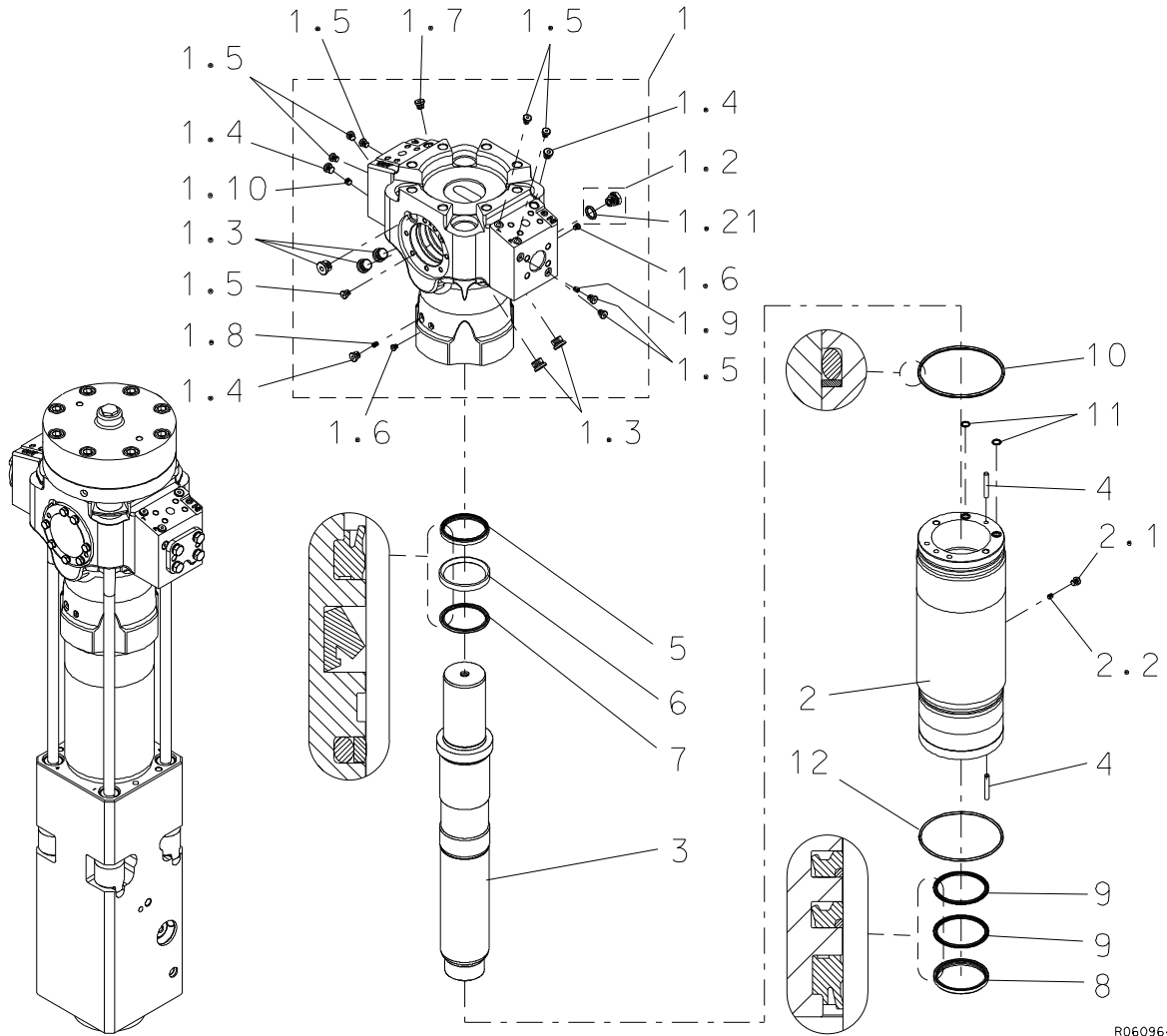


R060962

TIE RODS

Item	Description	Part no.	Specification	Note	Qty
1	Tie rod set (incl. parts 1.3-1.7)	78069			4
1.3	Vibration dampening element	78070			2
1.4	Cable tie	76962			2
1.5	Rubber ring	78071			1
1.6	Lock plate	78072			2
1.7	Spacer	78073			1

BODY PARTS



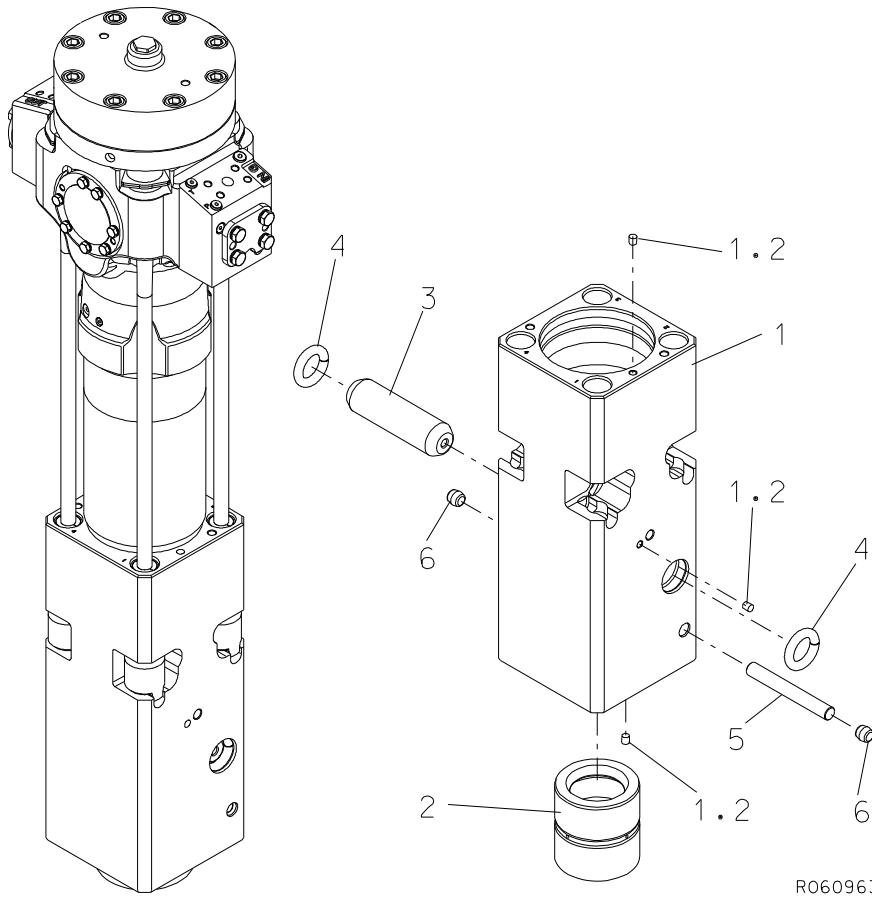
R060964

BODY PARTS

Item	Description	Part no.	Specification	Note	Qty
1	Valve body (incl. parts 1.2-1.10)	78074			1
1.2	Breather (incl. part 1.21)	78075			1
1.21	O-ring	76968	D24	*	1
1.3	Flange plug	76859	R3/4		5
1.4	Flange plug	76847	R3/8		3
1.5	Flange plug	76969	R1/4		8
1.6	Flange plug	76970	R1/8		2
1.7	Breather	76971	R3/8		1
1.8	Nozzle	76972			1
1.9	Nozzle	76973			1
1.10	Taper plug	78076	R1/4 DIN 906		1
2	Cylinder (incl. parts 2.1-2.2)	78077			1
2.1	Flange plug	76969	R1/4		1
2.2	Hex. screw	76976	M10x12 ISO 4026		1
3	Piston	78079			1
4	Parallel pin	76978	10x70 ISO 8734		2
5	Wiper	76982		*	1
6	Seal	78080		*	1
7	Seal	78081		*	1
8	Wiper	78082		*	1
9	Seal	78083		*	2
10	Seal	78084		*	1
11	O-ring	78085	D16	*	2
12	O-ring	78086	D189	*	1
	*) Are included in seal set				

FRONT HEAD

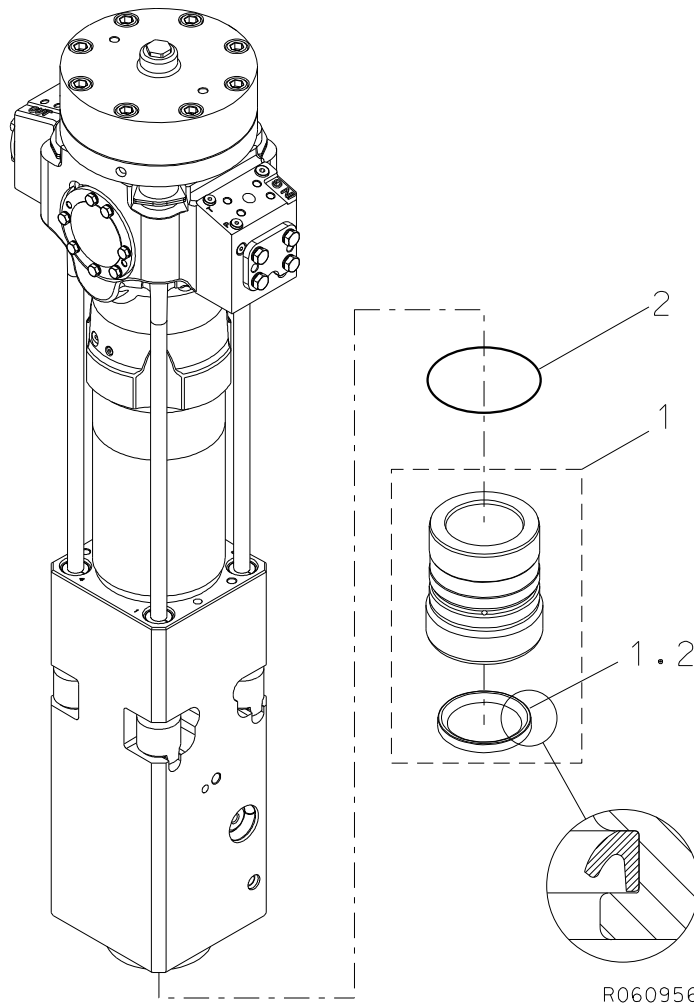
FRONT HEAD



Item	Description	Part no.	Specification	Note	Qty
1	Front head (incl. part 1.2)	78087			1
1.2	Plug	76988			3
2	Upper tool bushing	78088			1
3	Tool retaining pin	78089			1
4	Ring	78090			2
5	Retaining pin	78091			1
6	Rubber plug	76993			2

LOWER TOOL BUSHING

LOWER TOOL BUSHING

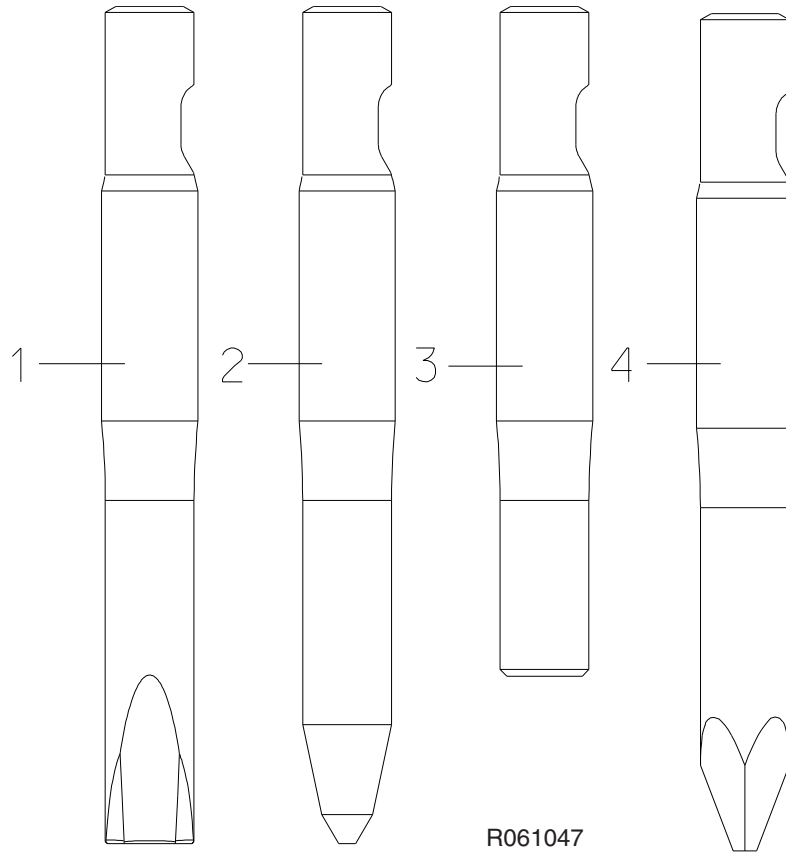


R060956

Item	Description	Part no.	Specification	Note	Qty
1	Lower tool bushing (incl. part 1.2)	78092			1
1.2	Seal	78093			1
2	O-ring	78094	D164	*	1
	*) Are included in seal set				

TOOL

TOOL

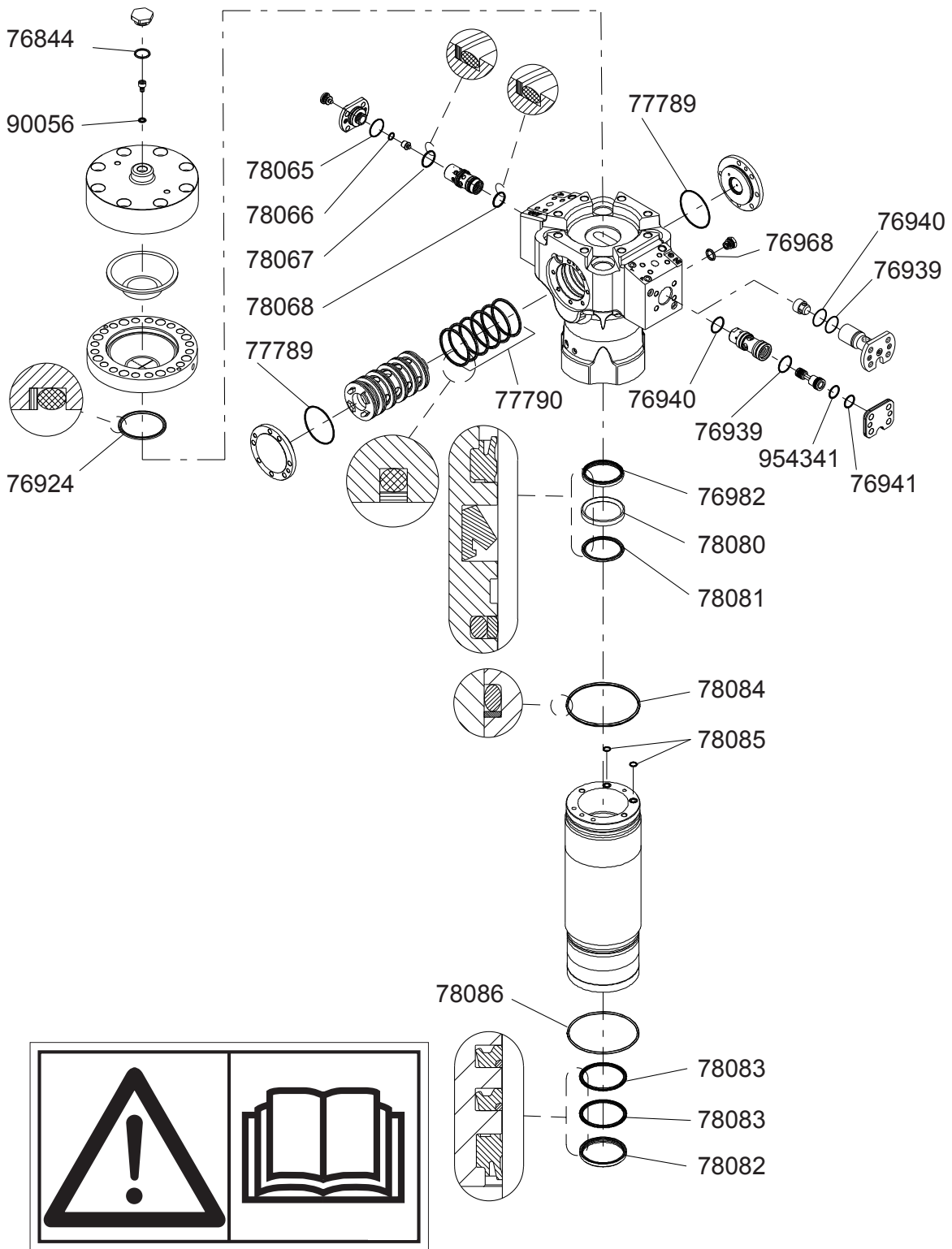


Item	Description	Part no.	Specification	Note	Qty
1	Chisel	78095	L = 1050 mm, W = 89 kg, D = 125 mm		1
2	Moil point	78096	L = 1050 mm, W = 89 kg, D = 125 mm		1
3	Blunt	78097	L = 850 mm, W = 77 kg, D = 125 mm		1
4	Pyramid	78098	L = 1050 mm, W = 89 kg, D = 125 mm		1

SEAL SET

SEAL SET

Seal set 78099



This summary only indicates the position of the seals. It must NOT be used as assembly instruction. Read the manual.

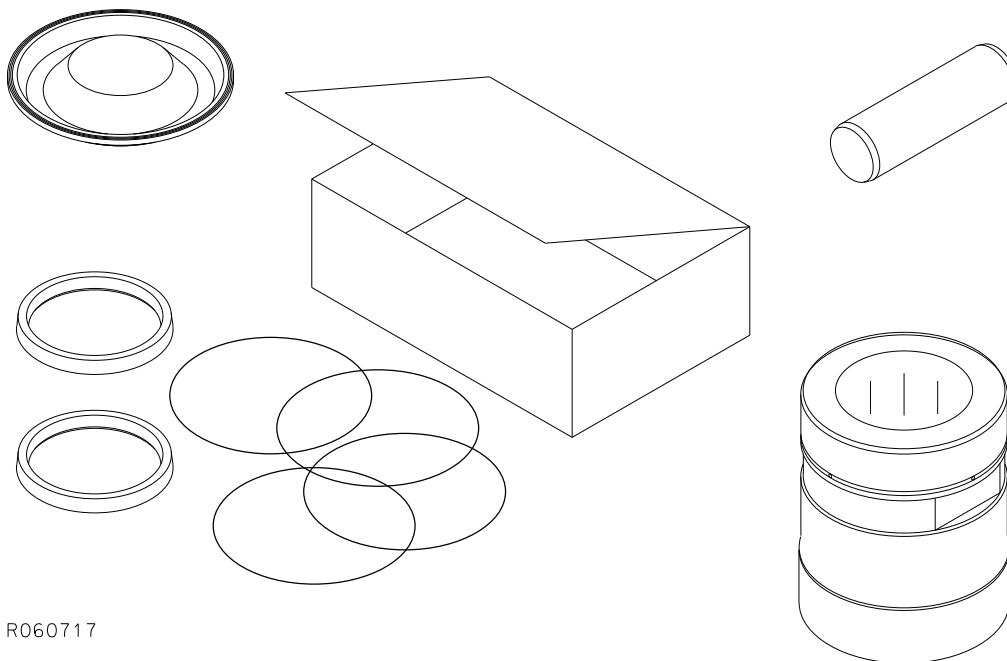
LB060003

SEAL SET

Item	Description	Part no.	Specification	Note	Qty
Kit	Seal set (incl. parts 1-22)	78099			1
1	O-ring	76939	D46		1
2	O-ring	76940	D44		1
3	O-ring	76941	D34		1
4	Seal	76924	D114		1
5	O-ring	76844	D23		1
6	O-ring	78065	D60		1
7	O-ring	78066	D21		1
8	Seal	78067			1
9	Seal	78068			1
10	O-ring	77789	D105		2
11	Seal	77790	D110		6
12	O-ring	76968	D24		1
13	Wiper	76982			1
14	Seal	78080			1
15	Seal	78081			1
16	Wiper	78082			1
17	Seal	78083			2
18	Seal	78084			1
19	O-ring	78085	D16		2
20	O-ring	78086	D189		1
21	O-ring	78094	D164		1
22	Seal	76942			1
	The seals for greasing device are not included in this seal set. They are included in the service kit for greasing device.				

SERVICE KIT

SERVICE KIT

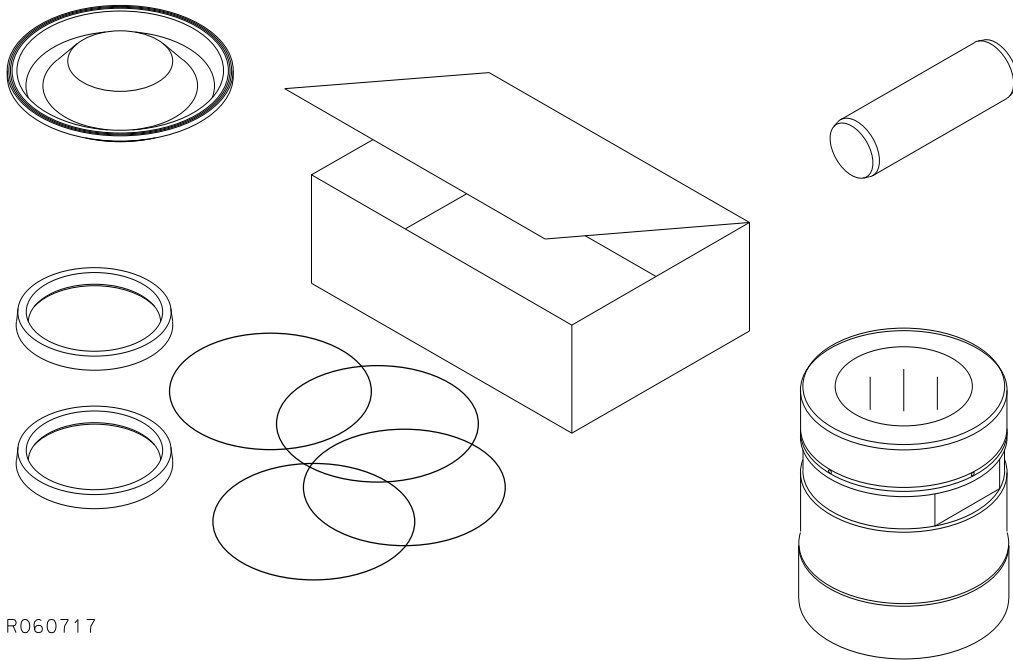


R060717

Item	Description	Part no.	Specification	Note	Qty
Kit	Service kit (incl. parts 1 - 4)	78600			1
1	Membrane	77779			1
2	Tool retaining pin	78089			1
3	Lower tool bushing	78092			1
4	Seal set	78099			1

SERVICE KIT 2

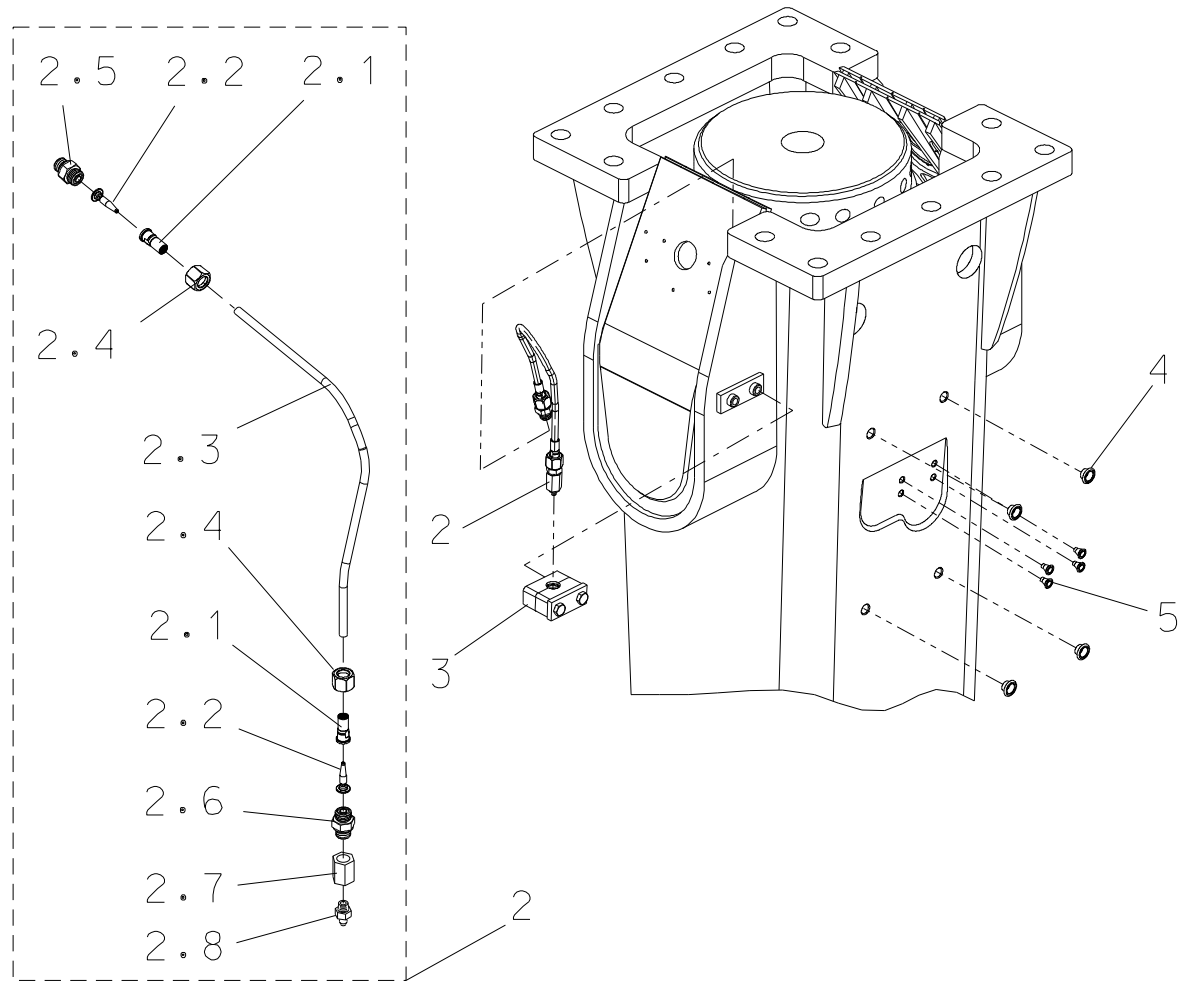
SERVICE KIT 2



R060717

Item	Description	Part no.	Specification	Note	Qty
Kit	Service kit (incl. parts 1 - 4)	78601			1
1	Buffer	77770			1
2	Pad	77771			2
3	Wear plate	77772			4
4	Upper tool bushing	78088			1

MANUAL GREASING

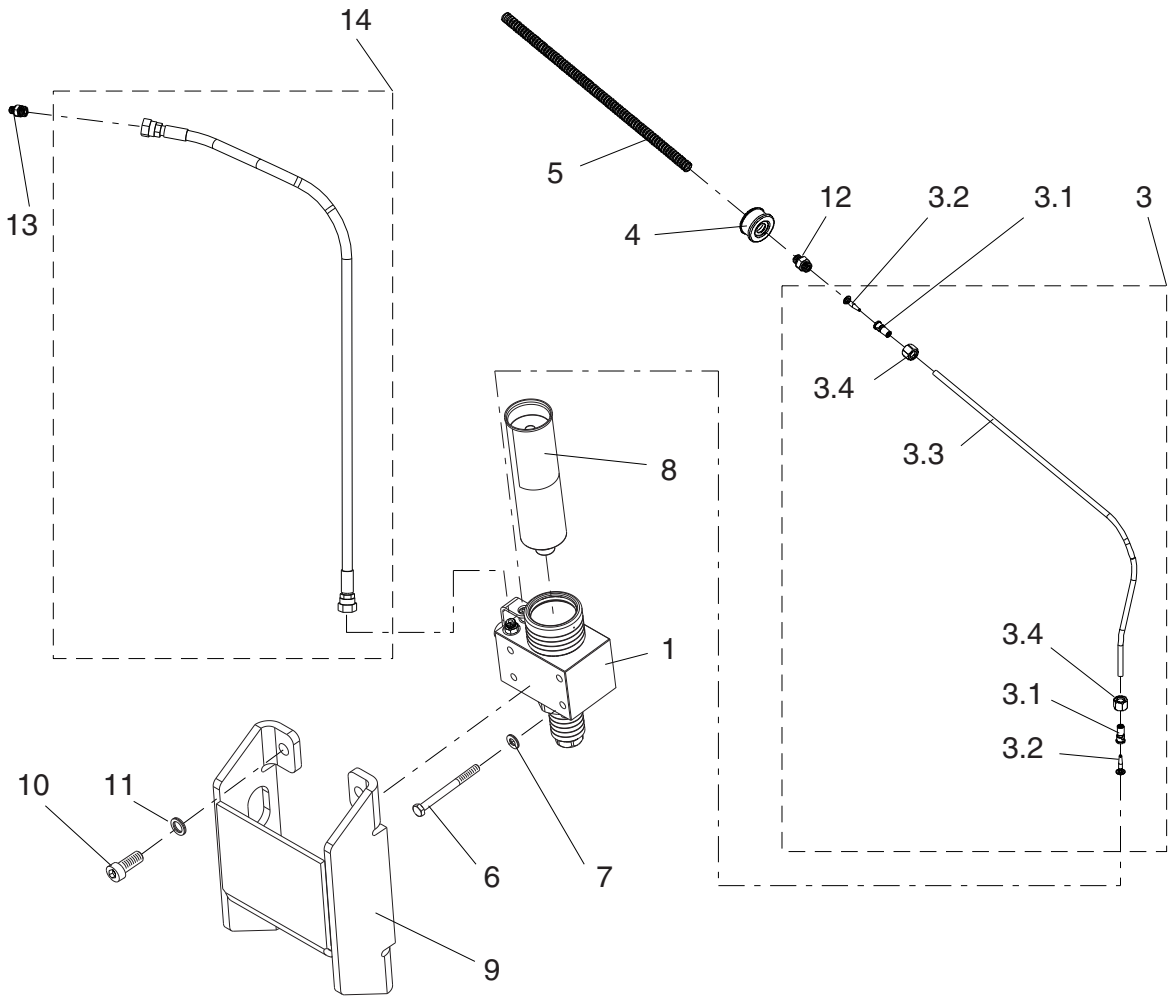


R060953

Item	Description	Part no.	Specification	Note	Qty
2	Hose assembly (incl. parts 2.1-2.8)	77706			1
2.1	Sleeve	77707			2
2.2	Insert	77708			2
2.3	Hose	77709	L=480		1
2.4	Nut	77710			2
2.5	Connector	77711	BSPP 3/8		1
2.6	Connector	77712	BSPP 1/4		1
2.7	Adapter	77713			1
2.8	Grease zerk	77714			1
3	Pipe clamp	77715			1
4	Plug	77716			4
5	Plug	77717			4

GREASING DEVICE KIT

GREASING DEVICE KIT



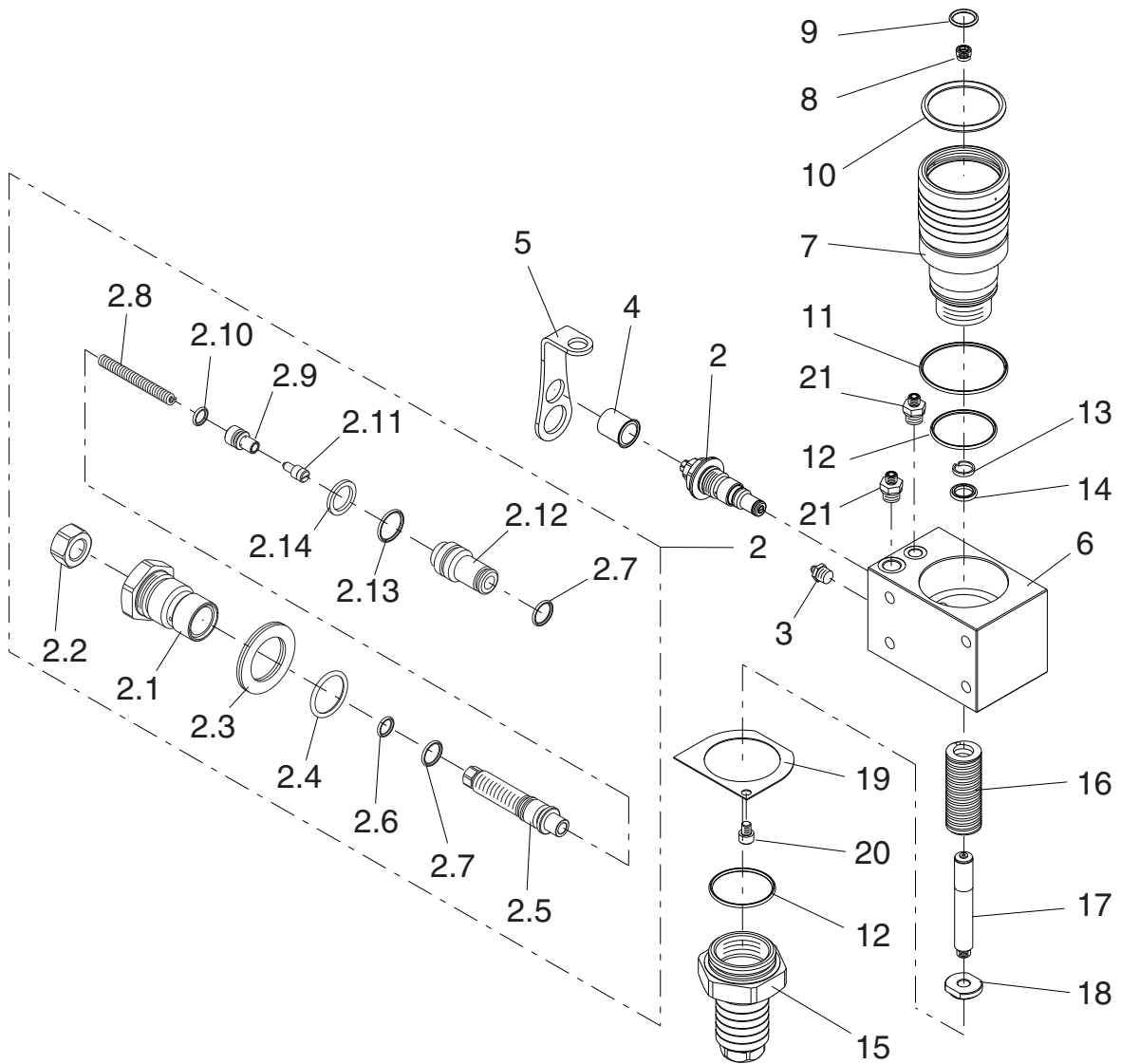
R061348

GREASING DEVICE KIT

Item	Description	Part no.	Specification	Note	Qty
1	Greasing device RG541	77719			1
3	Hose assembly (incl. parts 3.1-3.4)	77720			1
3.1	Sleeve	77707			2
3.2	Insert	77708			2
3.3	Hose	77721			1
3.4	Nut	77710			2
4	Rubber bushing	77722			1
5	Shield	77723			1
6	Hex. screw	77724	M10x110-8.8 ISO 4014		4
7	Lock washer	77725	M10 NL10sp NORD-LOCK		4
8	Grease cartridge	77726	Special tool grease, Greasing device cartridge. Greasing device cartridges are also sold in boxes of 24.		1
9	Shield	77727			1
10	Hex. socket screw	77728	M16x35-8.8 ISO 4762		4
11	Lock washer	76852	M16 NORD-LOCK		4
12	Connector	77711	BSPP 3/8		1
13	Connector	77712	BSPP 1/4		1
14	Hose assembly	77729			1

GREASING DEVICE

GREASING DEVICE



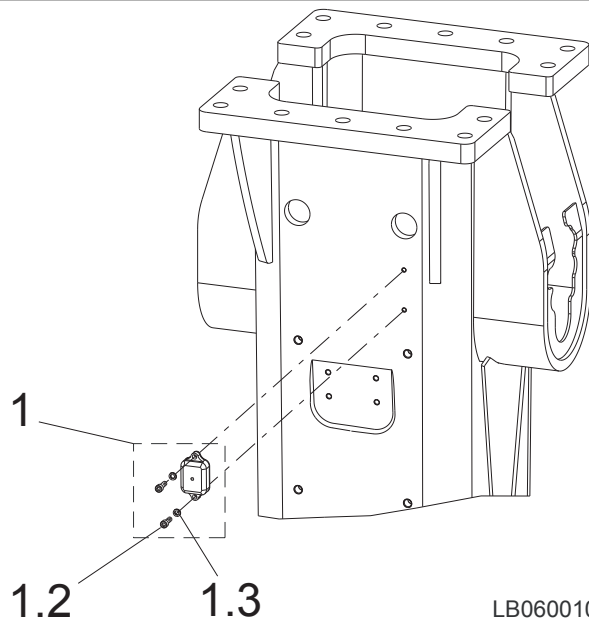
R061072

GREASING DEVICE

Item	Description	Part no.	Specification	Note	Qty
1	Greasing device RG541 (incl. parts 2-21)	77719			1
2	Dozer (incl. parts 2.1-2.14)	77730			1
2.1	Plug	77731			1
2.2	Nut	77732	M12x1 DIN 934		1
2.3	Lock washer	76854	M24 NORD-LOCK	*	1
2.4	O-ring	77733	D21	*	1
2.5	Adjusting screw	77734			1
2.6	O-ring	77735	D8	*	1
2.7	O-ring	77736	D11	*	2
2.8	Spring	77737		*	1
2.9	Piston	77738			1
2.10	O-ring	77739	D7	*	1
2.11	Piston	77740		*	1
2.12	Body	77741			1
2.13	O-ring	77742	D15	*	1
2.14	Shim plate	77743		*	1
3	Grease zerk	77714	BSP 1/4	*	1
4	Plug	77744		*	1
5	Locking plate	77745			1
6	Body	77746			1
7	Cartridge holder	77747			1
8	Check valve	77748			1
9	O-ring	77749	D19	*	1
10	O-ring	77750	D62	*	1
11	O-ring	77751	D71	*	1
12	O-ring	77752	D52	*	2
13	Guide ring	77753		*	1
14	Seal	77754		*	1
15	Spring housing	77755			1
16	Spring	77756			1
17	Piston	77757			1
18	Nut	77758			1
19	Lock plate	77759		*	1
20	Hex. socket screw	77760	M8x10-8.8 ISO 4762	*	1
21	Connector	77712	BSPP 1/4		3
kit	Seal set for greasing device	77761			1
	*) Are included in seal set for greasing device				

SDC SERVICE INDICATOR

SDC SERVICE INDICATOR



Item	Description	Part no.	Specification	Note	Qty
1	SDC service indicator (incl. parts 1.2-1.3)	77762			1
1.2	Hex. socket screw	79177	M8x25- 8.8 ISO 4762		2
1.3	Lock washer	79178	M8 NORD-LOCK		2



LaBounty
1538 Highway 2
Two Harbors, Minnesota 55616-8015 USA
Phone: (218) 834-2123
Fax: (218) 834-3879