



Original instructions

ENG

9/17

# LaBounty

# LMB3025

**HYDRAULIC BREAKER**  
**Parts manual**



Part Number: **PMLMB3025XENG.917**

# TABLE OF CONTENTS

Housing unit . . . . .	4
Accumulator . . . . .	6
Main valve . . . . .	7
Restrictor valve . . . . .	8
Pressure control valve . . . . .	10
Tie rods . . . . .	12
Body parts . . . . .	13
Front head . . . . .	15
Lower tool bushing . . . . .	16
Tool . . . . .	17
Seal set . . . . .	18
Service kit . . . . .	20
Service kit 2A . . . . .	21
Manual greasing . . . . .	22
Greasing device kit . . . . .	23
Greasing device . . . . .	25
SDC service indicator . . . . .	27

---

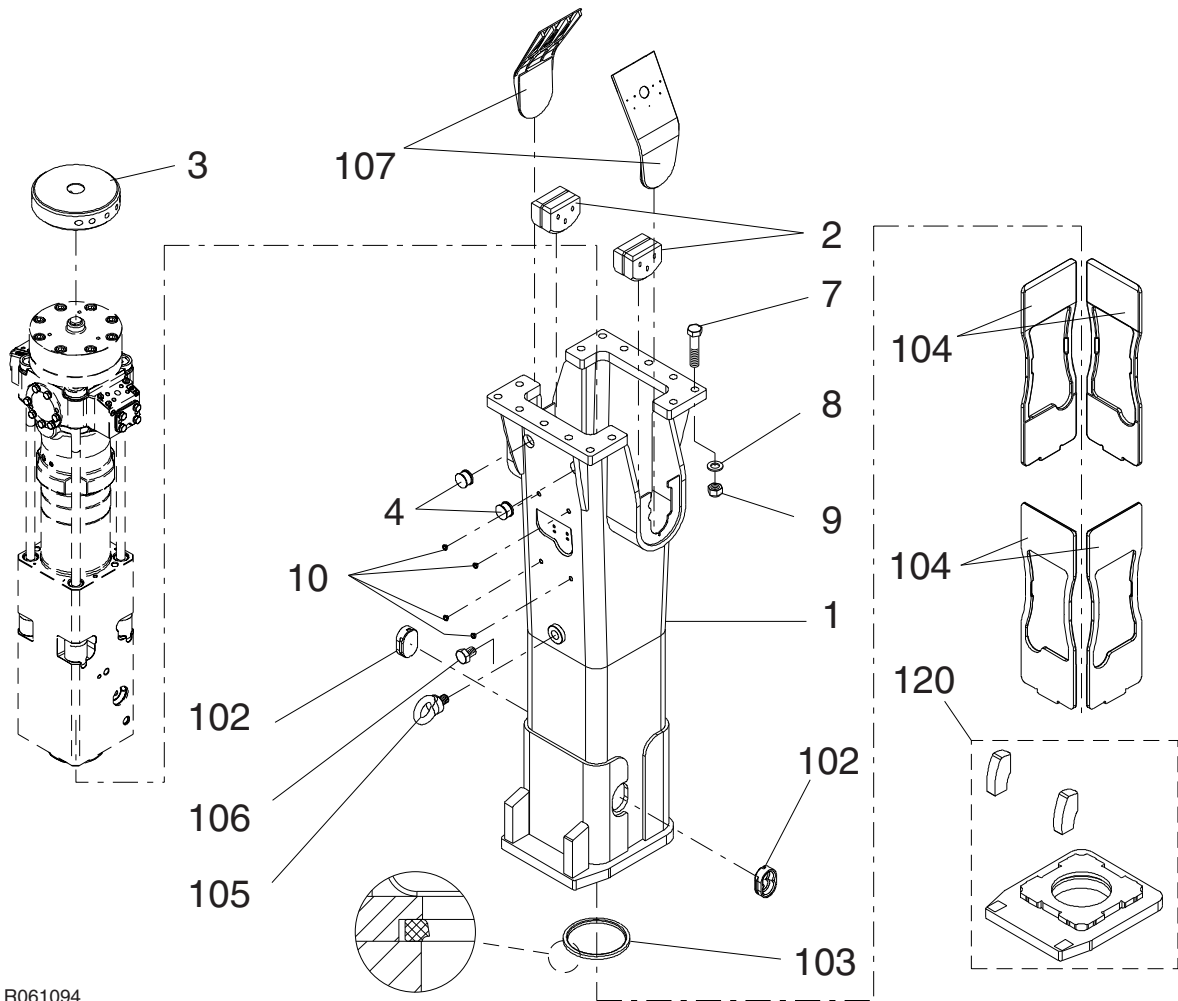
•

---

# PARTS

# HOUSING UNIT

## HOUSING UNIT



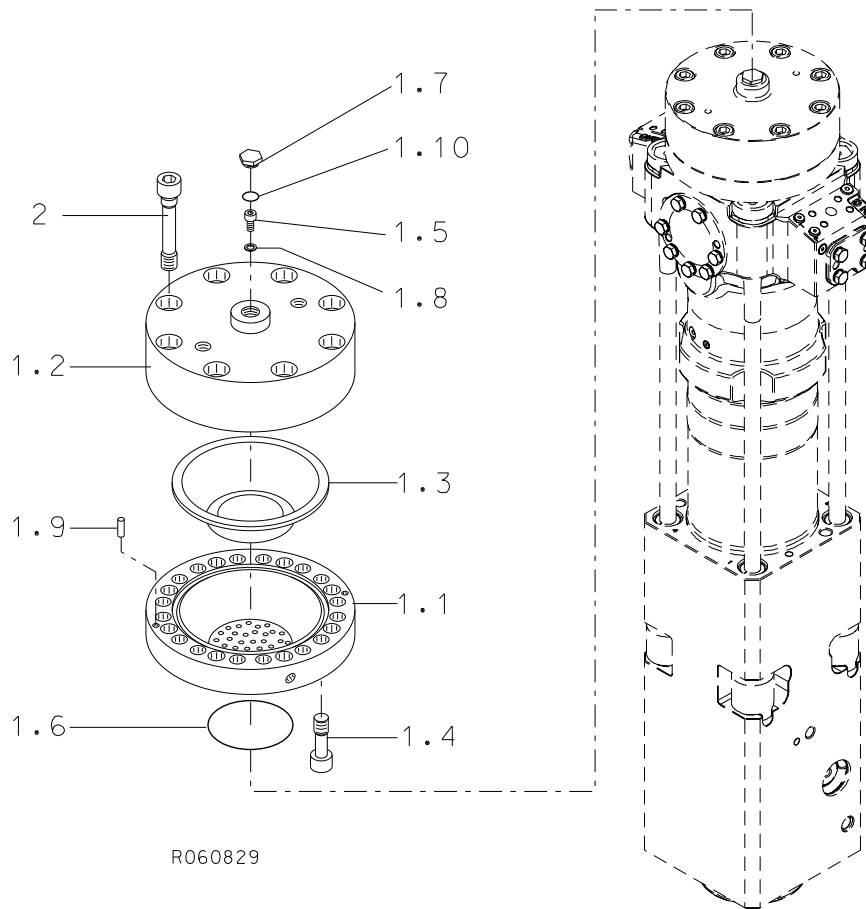
R061094

# HOUSING UNIT

Item	Description	Part no.	Specification	Note	Qty
1	Housing	78602			1
2	Pad	78603			2
3	Buffer	77770			1
4	Rubber plug	78604	D50		2
7	Hex. screw	76905	M24x110-12.9 ISO 4014		14
8	Washer	76906	25 ISO 7416		14
9	Lock nut	76907	M24-12 DIN 985		14
10	Plug	77716			4
102	Rubber plug	78609			2
103	Seal	78610			1
104	Wear plate	78611			4
105	Lifting eye	78612	M30 DIN 580		1
106	Hex. screw	78613	M30x40-8.8 ISO 4017		1
107	Shield plate	77773			2
120	Wear parts	78608			1
20	Label set (incl. part 20.1)	78614			1
20.1	Safety label set	76832			1

# ACCUMULATOR

## ACCUMULATOR

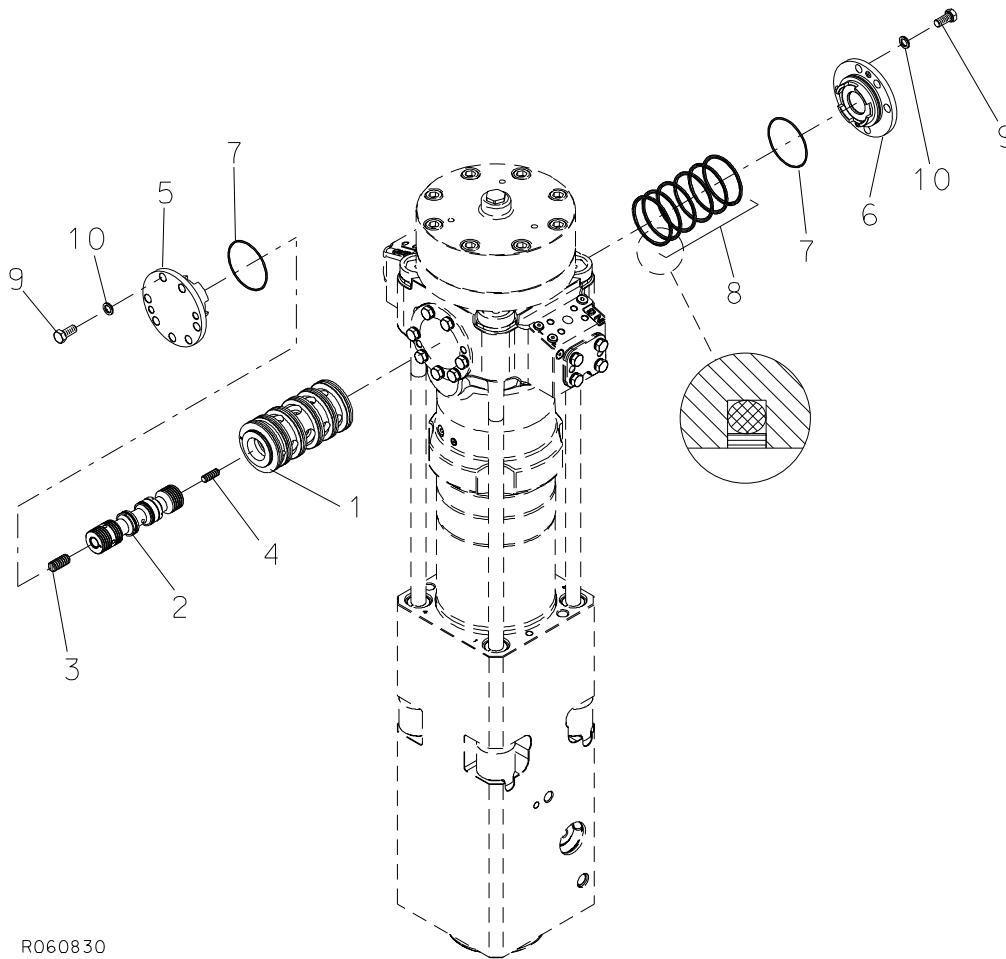


R060829

Item	Description	Part no.	Specification	Note	Qty
1	Accumulator (incl. parts 1.1-1.10)	78615			1
1.1	Accumulator bottom	78616			1
1.2	Accumulator cover	78617			1
1.3	Membrane	77779			1
1.4	Accumulator screw	77780			16
1.5	Filling plug	76921			1
1.6	Seal	76924	D114	*	1
1.7	Shield plug	76922			1
1.8	Usit-ring	76846	8-13.9-1	*	1
1.9	Parallel pin	77781	10m6x24 DIN 6325		2
1.10	O-ring	76844	D23	*	1
2	Accumulator screw	78618			8
	*) Are included in seal set				

# MAIN VALVE

## MAIN VALVE

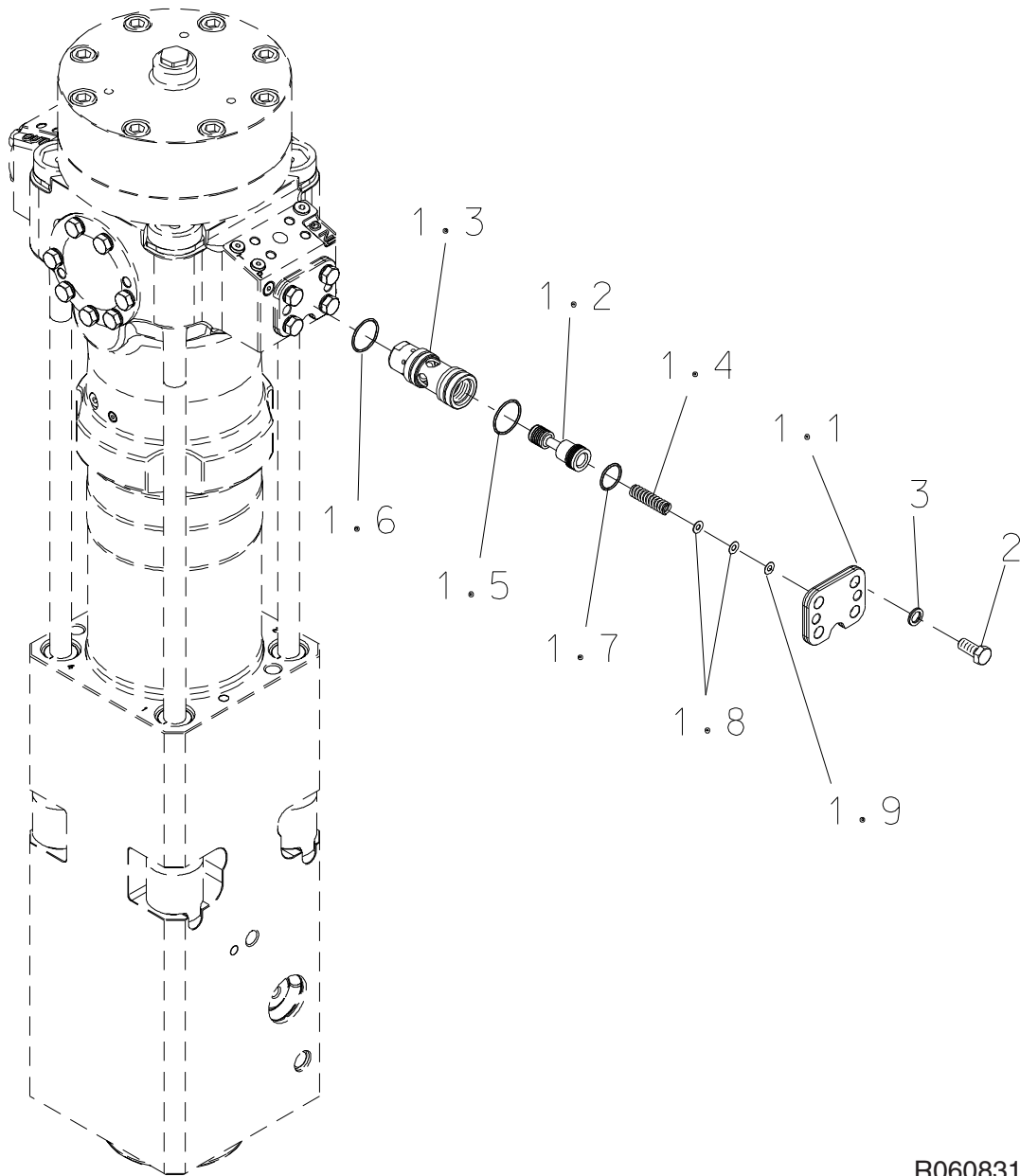


R060830

Item	Description	Part no.	Specification	Note	Qty
1	Main valve bushing	78619			1
2	Main spool	78620			1
3	Spool	78621			1
4	Spool	77786			1
5	Cover	78622			1
6	Cover	78623			1
7	O-ring	77789	D105	*	2
8	Seal	77790	D110	*	6
9	Hex. screw	76933	M16x35-8.8 ISO 4017		13
10	Lock washer	76852	M16 NORD-LOCK		13
	*) Are included in seal set				

# RESTRICTOR VALVE

## RESTRICTOR VALVE



R060831

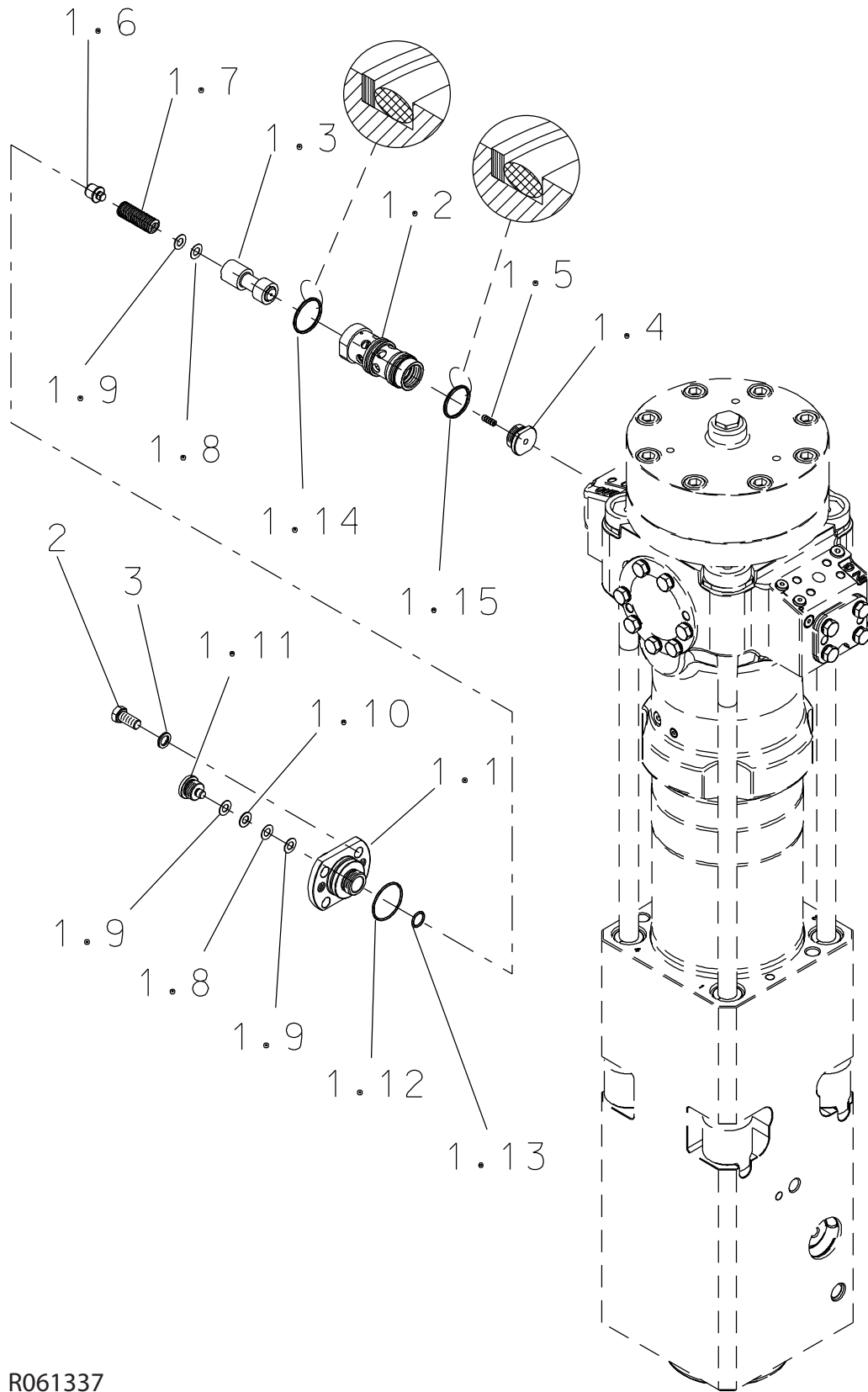


## RESTRICTOR VALVE

Item	Description	Part no.	Specification	Note	Qty
1	Restrictor valve (incl. parts 1.1-1.9)	78624			1
1.1	Cover	76935			1
1.2	Spool	77793			1
1.3	Valve housing	78625			1
1.4	Spring	76938			1
1.5	O-ring	76939	D46	*	1
1.6	O-ring	76940	D44	*	1
1.7	O-ring	76941	D34	*	1
1.8	Shim plate	76861	S=0.5		2
1.9	Shim plate	76860	S=1		1
2	Hex. screw	76933	M16x35-8.8 ISO 4017		4
3	Lock washer	76852	M16 NORD-LOCK		4
	*) Are included in seal set				

# PRESSURE CONTROL VALVE

## PRESSURE CONTROL VALVE



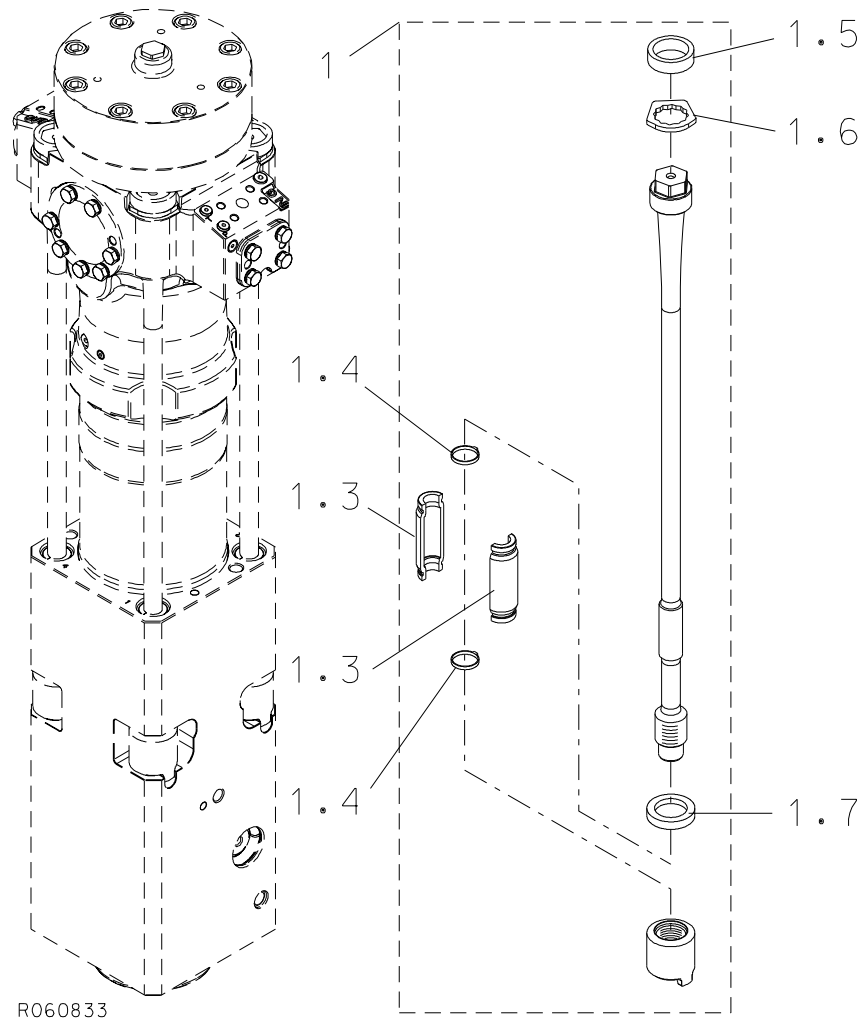
R061337

# PRESSURE CONTROL VALVE

Item	Description	Part no.	Specification	Note	Qty
1	Pressure control valve (incl. parts 1.1-1.15)	78626			1
1.1	Cover	77796			1
1.2	Valve housing	77797			1
1.3	Spool	78627			1
1.4	Guide	77799			1
1.5	Spool	78062			1
1.6	Spring guide	78063			1
1.7	Spring	76950			1
1.8	Shim plate	76951	S=0.5		x
1.9	Shim plate	76952	S=1		x
1.10	Shim plate	76953	S=0.75		x
1.11	Plug	78064			1
1.12	O-ring	78628	D60	*	1
1.13	O-ring	78066	D21	*	1
1.14	Seal	78067	D55	*	1
1.15	Seal	78068	D50	*	1
2	Hex. screw	76933	M16x35-8.8 ISO 4017		4
3	Lock washer	76852	M16 NORD-LOCK		4
	*) Are included in seal set				

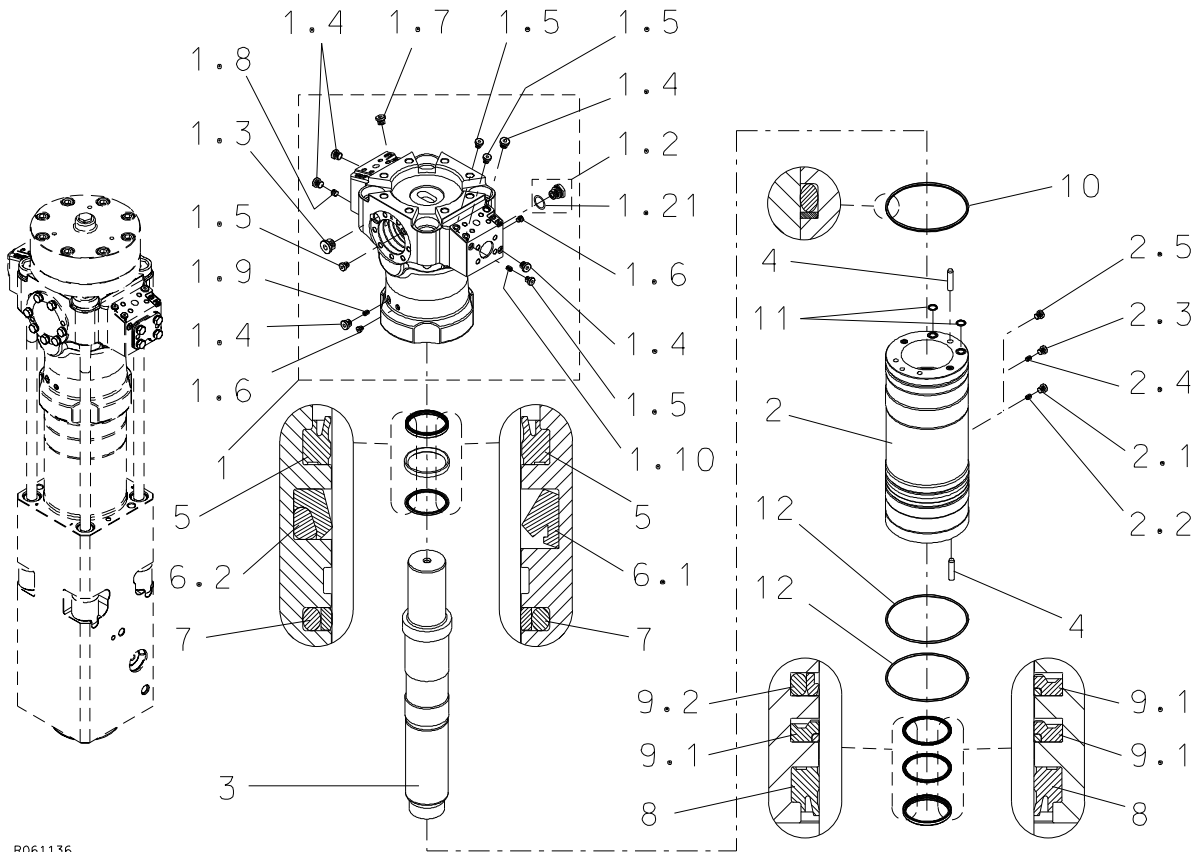
# TIE RODS

## TIE RODS



Item	Description	Part no.	Specification	Note	Qty
1	Tie rod set (incl. parts 1.3-1.7)	78629			4
1.3	Vibration dampening element	78630			2
1.4	Cable tie	76962			2
1.5	Rubber ring	78631			1
1.6	Lock plate	78632			1
1.7	Spacer	78633			1

## BODY PARTS



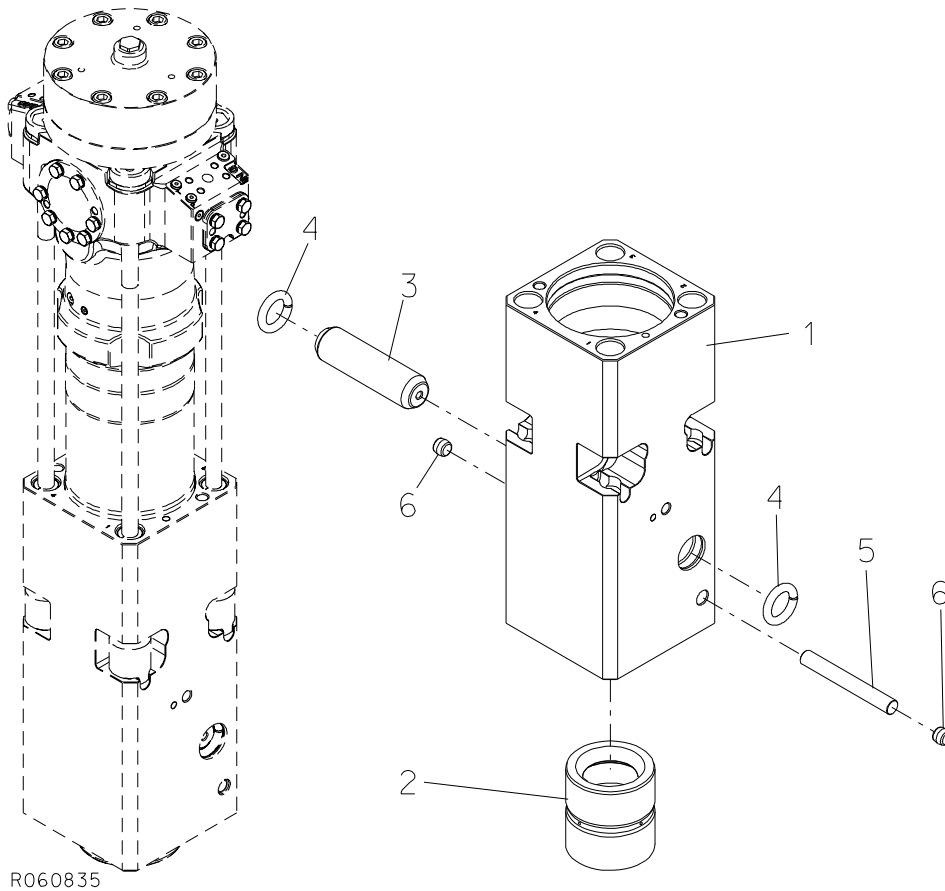
R061136

## BODY PARTS

Item	Description	Part no.	Specification	Note	Qty
1	Valve body (incl. parts 1.2-1.10)	78634			1
1.2	Breather (incl. part 1.21)	78075			1
1.21	O-ring	76968	D24	*	1
1.3	Flange plug	76859	R3/4		1
1.4	Flange plug	76847	R3/8		5
1.5	Flange plug	76969	R1/4		4
1.6	Flange plug	76970	R1/8		2
1.7	Breather	76971	R3/8		1
1.8	Taper plug	78076	DIN 906-R1/4		1
1.9	Nozzle	76972			1
1.10	Nozzle	76973			1
2	Cylinder (incl. parts 2.1-2.5)	78635			1
2.1	Flange plug	76969	R1/4, softened stroke		1
2.2	Nozzle	78636	softened stroke		1
2.3	Flange plug	76969	R1/4, normal stroke		1
2.4	Screw	76976	M10x12 ISO 4026, normal stroke		1
2.5	Flange plug	76969	R1/4, idle stroke prevention		1
3	Piston	78637			1
4	Parallel pin	78638	16m6x70 ISO 8734		2
5	Wiper	78639		*	1
6.1	Seal	78640		*	1
6.2	Seal	78641	Heat resistant	**	1
7	Seal	78642		*	1
8	Wiper	78643		*	1
9.1	Seal	78644		*	2
9.2	Seal	78645	Heat resistant	**	1
10	Seal	78646	D230	*	1
11	O-ring	78647	D21	*	2
12	O-ring	78648	D229	*	2
	*) Are included in seal set				
	***) Are included in heat resistant seal set				

# FRONT HEAD

## FRONT HEAD

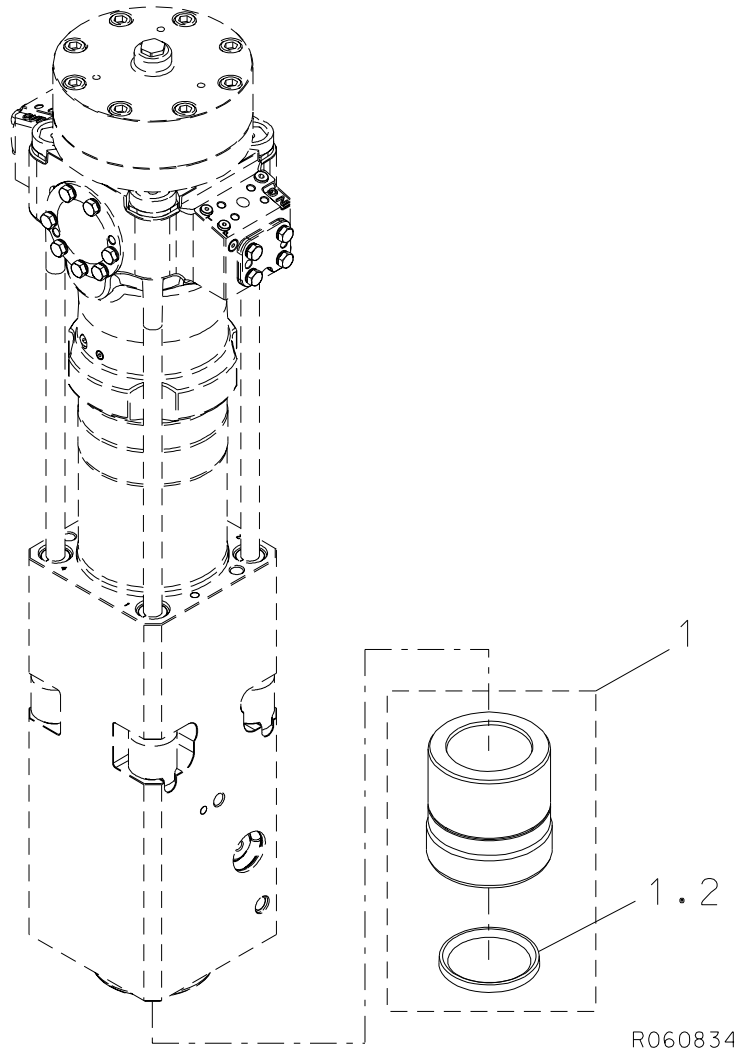


R060835

Item	Description	Part no.	Specification	Note	Qty
1	Front head	78649			1
2	Upper tool bushing	78650			1
3	Tool retaining pin	78651			1
4	Ring	78652			2
5	Retaining pin	78653			1
6	Rubber plug	78654			2
	*) Are included in seal set				

# LOWER TOOL BUSHING

## LOWER TOOL BUSHING

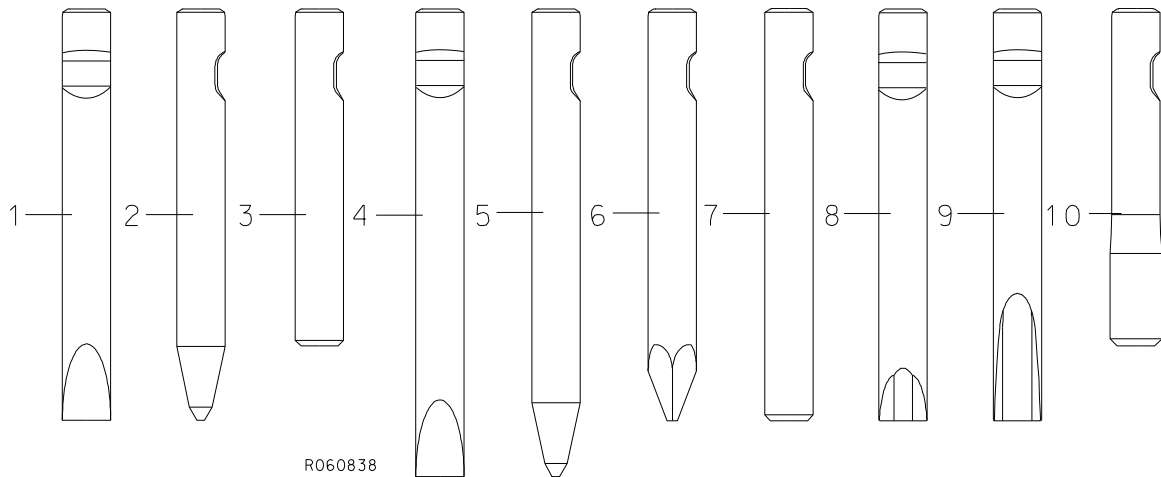


Item	Description	Part no.	Specification	Note	Qty
1	Lower tool bushing (incl. part 1.2)	78655			1
1.2	Seal	78656			1



# TOOL

## TOOL

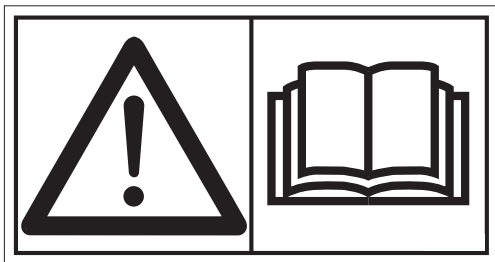
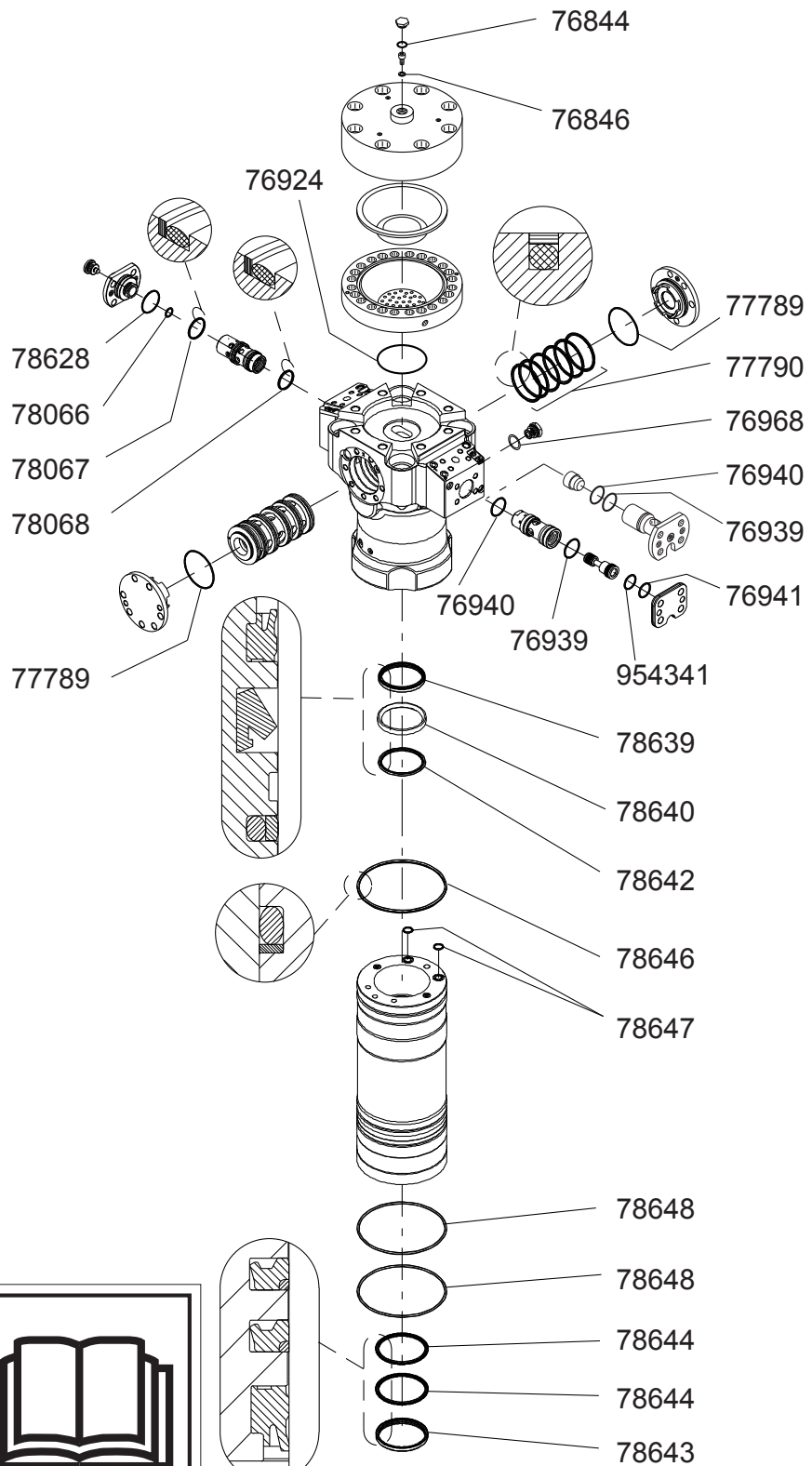


Item	Description	Part no.	Specification	Note	Qty
1	Chisel	78657	L = 1120 mm, W = 112 kg, D = 135 mm		1
2	Moil point	78658	L = 1120 mm, W = 108 kg, D = 135 mm		1
3	Blunt	78659	L = 920 mm, W = 100 kg, D = 135 mm		1
4	Long chisel	78660	L = 1270 mm, W = 129 kg, D = 135 mm		1
5	Long moil point	78661	L = 1270 mm, W = 125 kg, D = 135 mm		1
6	Pyramid	78662	L = 1120 mm, W = 108 kg, D = 135 mm		1
7	Long blunt	78663	L = 1120 mm, W = 121 kg, D = 135 mm		1
8	Limestone Chisel	78665	L = 1120 mm, W = 115 kg, D = 135 mm		1
9	Hard Rock Chisel	78664	L = 1120 mm, W = 106 kg, D = 135 mm		1
10	Super Blunt	78666	L = 920 mm, W = 101 kg, D = 143 mm		1

# SEAL SET

## SEAL SET

Seal set 78667



This summary only indicates the position of the seals. It must NOT be used as assembly instruction. Read the manual.

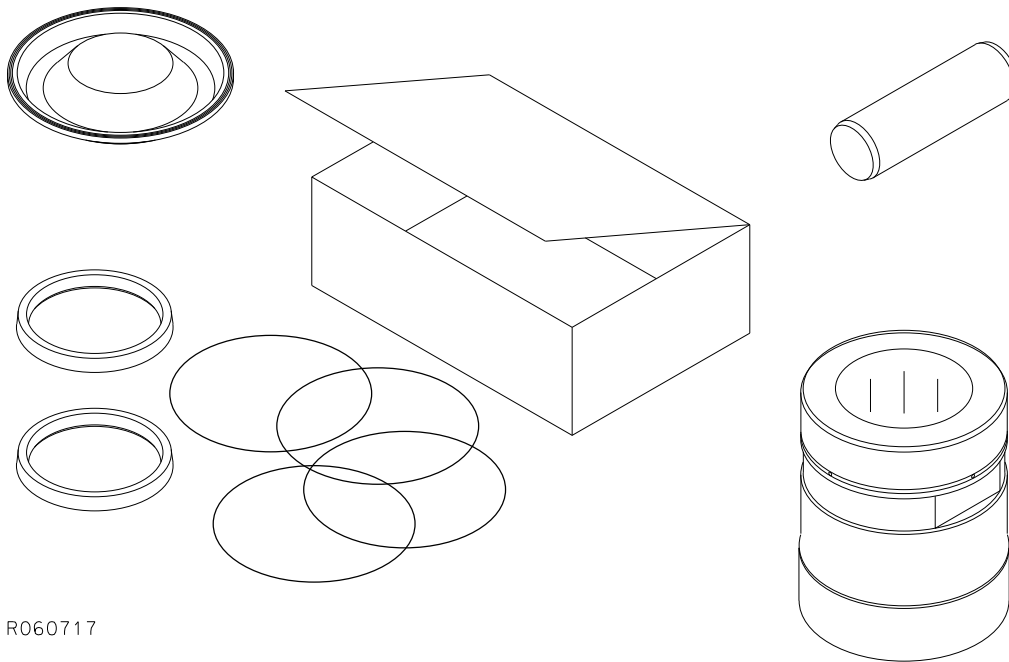
LB060004

## SEAL SET

Item	Description	Part no.	Specification	Note	Qty
Kit	Seal set (incl. parts 1-22)	78667			1
1	Seal	76924	D114		1
2	O-ring	76844	D23		1
3	Usit-ring	76846	8-13.9-1		1
4	O-ring	77789	D105		2
5	Seal	77790	D110		6
6	O-ring	76939	D46		1
7	O-ring	76940	D44		1
8	O-ring	76941	D34		1
9	O-ring	78628	D60		1
10	O-ring	78066	D21		1
11	Seal	78067	D55		1
12	Seal	78068	D50		1
13	O-ring	76968	D24		1
14	Wiper	78639			1
15	Seal	78640			1
16	Seal	78642			1
17	Wiper	78643			1
18	Seal	78644			2
19	Seal	78646	D230		1
20	O-ring	78648	D229		2
21	O-ring	78647	D21		2
22	Seal	76942			1
	The seals for greasing device are not included in this seal set. They are included in the service kit for greasing device.				

# SERVICE KIT

## SERVICE KIT

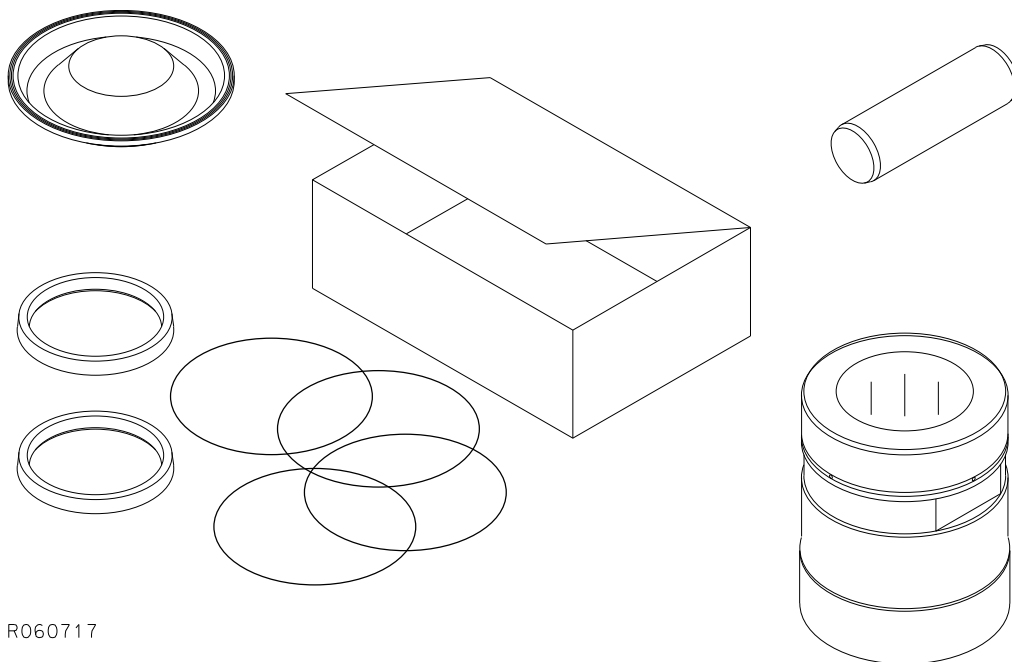


R060717

Item	Description	Part no.	Specification	Note	Qty
Kit	Service kit (incl. parts 1 - 4)	78668			1
1	Membrane	77779			1
2	Tool retaining pin	78651			1
3	Lower tool bushing	78655			1
4	Seal set	78667			1

# SERVICE KIT 2A

## SERVICE KIT 2A

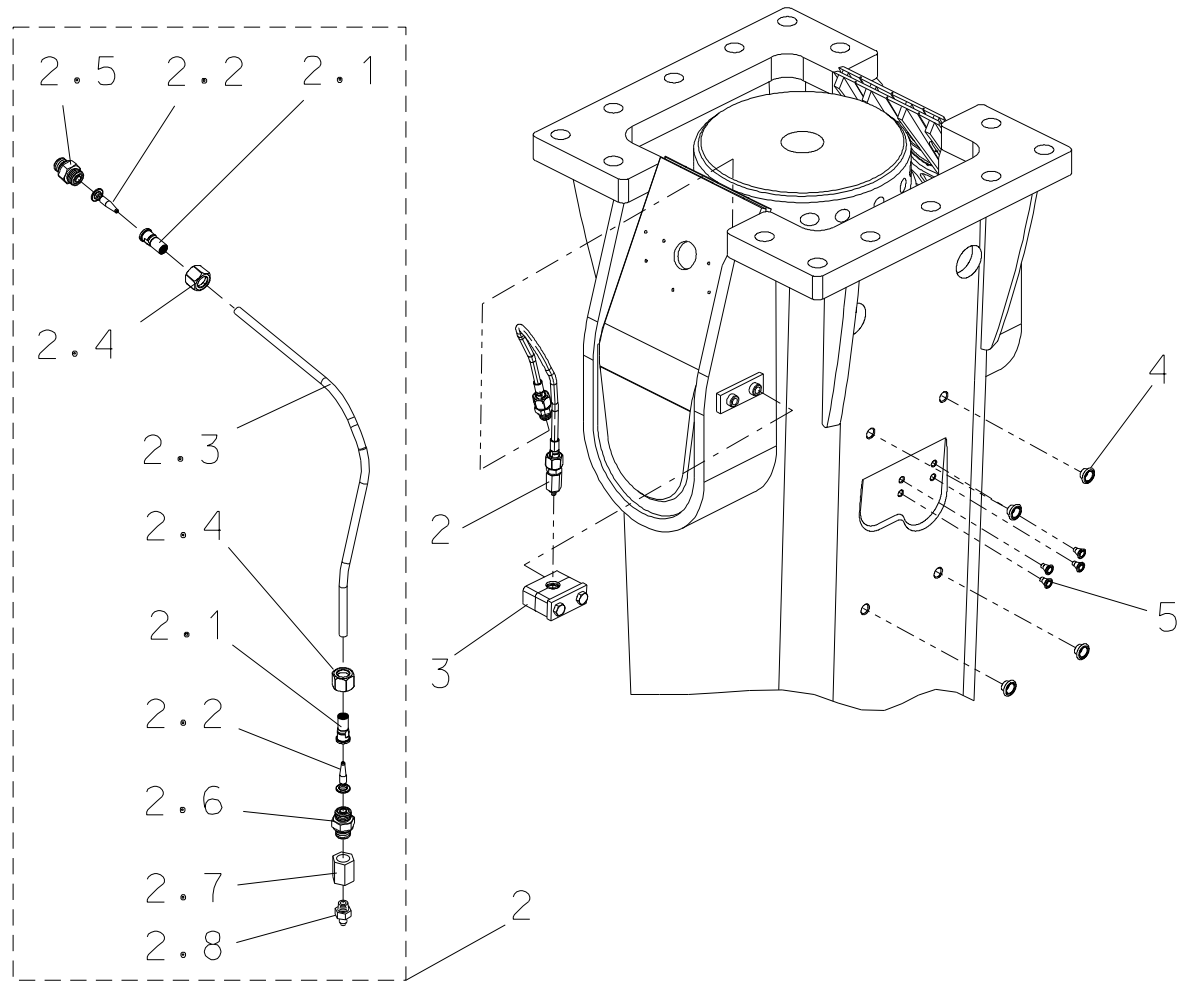


R060717

Item	Description	Part no.	Specification	Note	Qty
Kit	Service kit (incl. parts 1 - 4)	78669			1
1	Pad	78603			2
2	Buffer	77770			1
3	Wear plate	78611			4
4	Upper tool bushing	78650			1

# MANUAL GREASING

## MANUAL GREASING



R060973

Item	Description	Part no.	Specification	Note	Qty
2	Hose assembly (incl. parts 2.1-2.8)	77706			1
2.1	Sleeve	77707			2
2.2	Insert	77708			2
2.3	Hose	77709	L=480		1
2.4	Nut	77710			2
2.5	Connector	77711	BSPP 3/8		1
2.6	Connector	77712	BSPP 1/4		1
2.7	Adapter	77713			1
2.8	Grease zerk	77714			1
3	Pipe clamp	77715			1
4	Plug	77716			4
5	Plug	77717			4



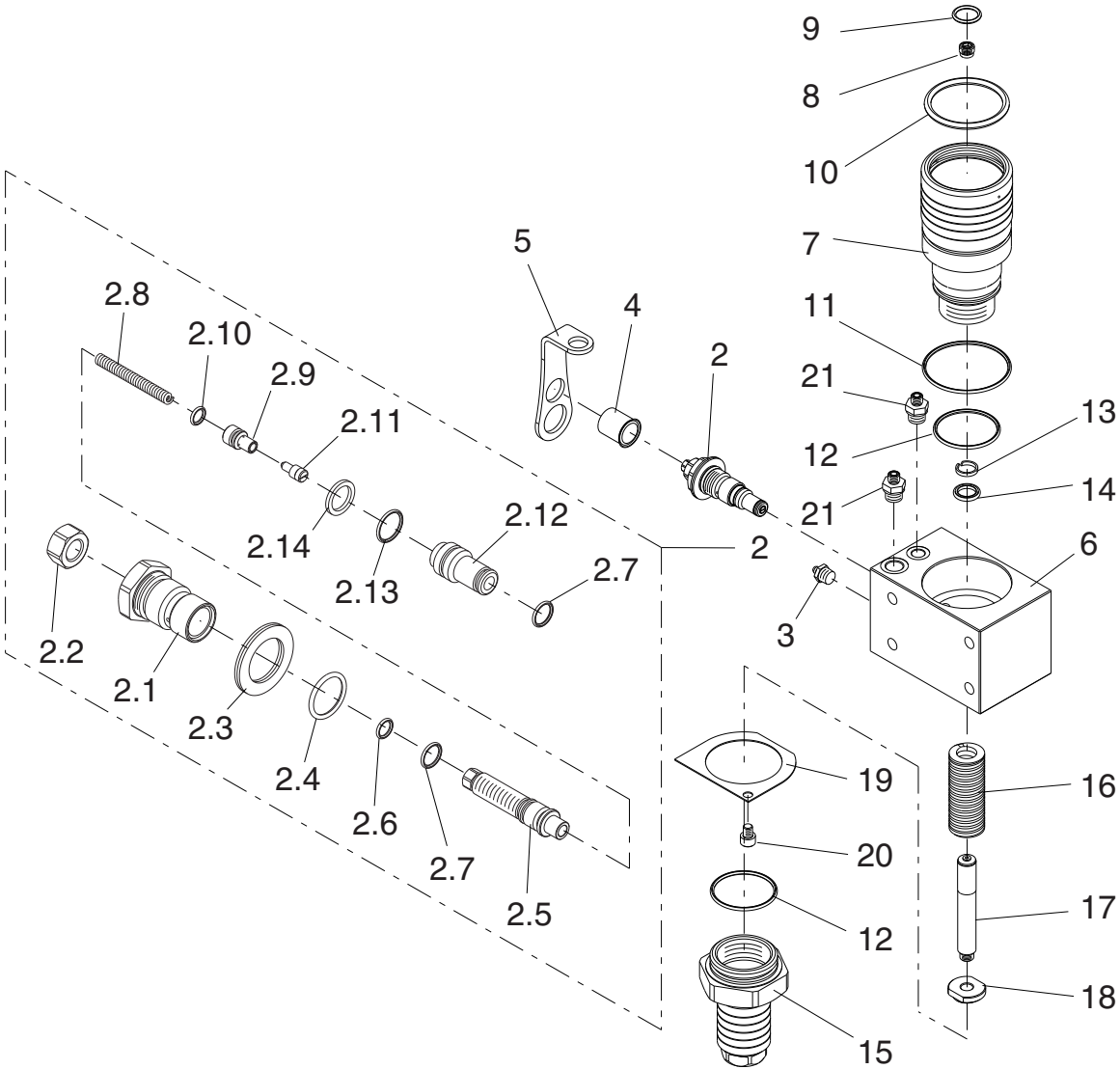
## GREASING DEVICE KIT

Item	Description	Part no.	Specification	Note	Qty
1	Greasing device RG541	77719			1
3	Hose assembly (incl. parts 3.1-3.4)	77720			1
3.1	Sleeve	77707			2
3.2	Insert	77708			2
3.3	Hose	77721			1
3.4	Nut	77710			2
4	Rubber bushing	77722			1
5	Shield	77723			1
6	Hex. screw	77724	M10x110-8.8 ISO 4014		4
7	Lock washer	77725	M10 NL10sp NORD-LOCK		4
8	Grease cartridge	77726	Special tool grease, Greasing device cartridge. Greasing device cartridges are also sold in boxes of 24.		1
9	Shield	77727			1
10	Hex. socket screw	77728	M16x35-8.8 ISO 4762		4
11	Lock washer	76852	M16 NORD-LOCK		4
12	Connector	77711	BSPP 3/8		1
13	Connector	77712	BSPP 1/4		1
14	Hose assembly	77729			1



# GREASING DEVICE

## GREASING DEVICE



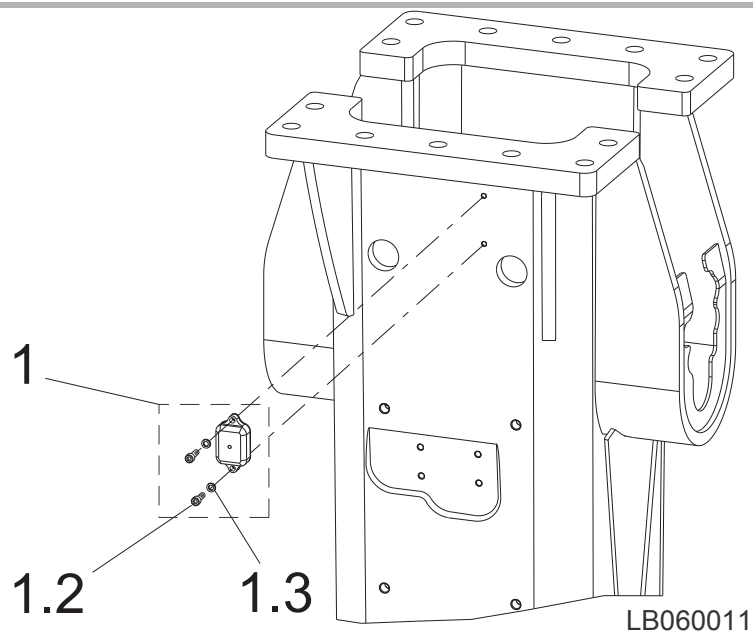
R061073

## GREASING DEVICE

Item	Description	Part no.	Specification	Note	Qty
1	Greasing device RG541 (incl. parts 2-21)	77719			1
2	Dozer (incl. parts 2.1-2.14)	77730			1
2.1	Plug	77731			1
2.2	Nut	77732	M12x1 DIN 934		1
2.3	Lock washer	76854	M24 NORD-LOCK	*	1
2.4	O-ring	77733	D21	*	1
2.5	Adjusting screw	77734			1
2.6	O-ring	77735	D8	*	1
2.7	O-ring	77736	D11	*	2
2.8	Spring	77737		*	1
2.9	Piston	77738			1
2.10	O-ring	77739	D7	*	1
2.11	Piston	77740		*	1
2.12	Body	77741			1
2.13	O-ring	77742	D15	*	1
2.14	Shim plate	77743		*	1
3	Grease zerk	77714	BSP 1/4	*	1
4	Plug	77744		*	1
5	Locking plate	77745			1
6	Body	77746			1
7	Cartridge holder	77747			1
8	Check valve	77748			1
9	O-ring	77749	D19	*	1
10	O-ring	77750	D62	*	1
11	O-ring	77751	D71	*	1
12	O-ring	77752	D52	*	2
13	Guide ring	77753		*	1
14	Seal	77754		*	1
15	Spring housing	77755			1
16	Spring	77756			1
17	Piston	77757			1
18	Nut	77758			1
19	Lock plate	77759		*	1
20	Hex. socket screw	77760	M8x10-8.8 ISO 4762	*	1
21	Connector	77712	BSPP 1/4		3
kit	Seal set for greasing device	77761			1
	*) Are included in seal set for greasing device				

# SDC SERVICE INDICATOR

## SDC SERVICE INDICATOR



Item	Description	Part no.	Specification	Note	Qty
1	SDC service indicator (incl. parts 1.2-1.3)	77762			1
1.2	Hex. socket screw	79177	M8x25- 8.8 ISO 4762		2
1.3	Lock washer	79178	M8 NORD-LOCK		2







**LaBounty**  
**1538 Highway 2**  
**Two Harbors, Minnesota 55616-8015 USA**  
**Phone: (218) 834-2123**  
**Fax: (218) 834-3879**