



Original instructions

ENG

9/17

# LaBounty

# LMB4035

**HYDRAULIC BREAKER**  
**Parts manual**



Part Number: **PMLMB4035XENG.917**

# TABLE OF CONTENTS

Housing unit . . . . .	4
Accumulator . . . . .	6
Main valve . . . . .	7
Restrictor valve . . . . .	8
Pressure control valve . . . . .	9
Idle selector . . . . .	11
Stroke selector valve . . . . .	12
Tie rods . . . . .	13
Body parts . . . . .	14
Front head . . . . .	16
Lower tool bushing . . . . .	18
Tool . . . . .	19
Seal set . . . . .	20
Service kit . . . . .	22
Greasing block for manual greasing . . . . .	23
Greasing device kit . . . . .	24
Greasing device . . . . .	26
SDC service indicator . . . . .	28

---

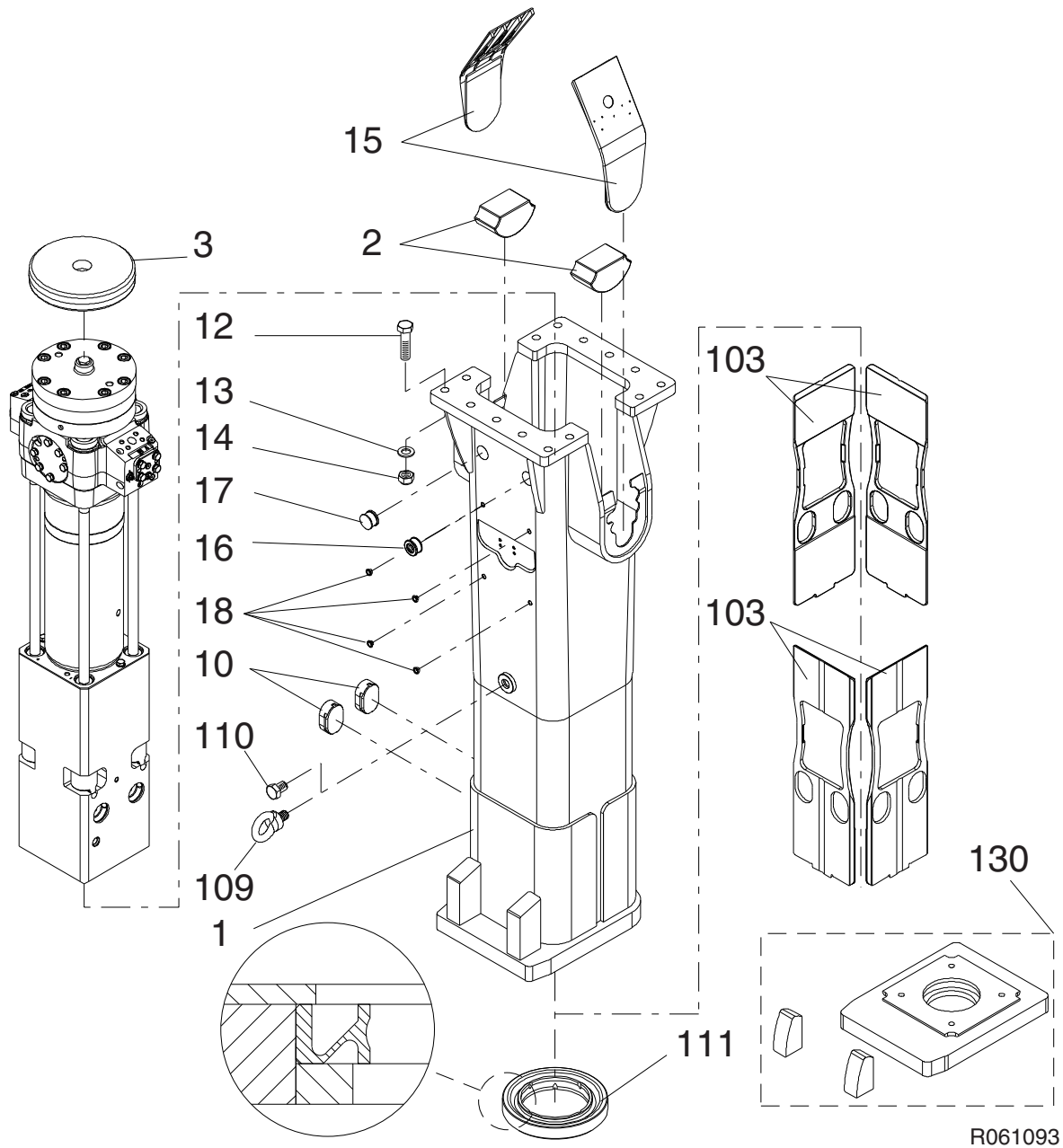
•

---

# PARTS

# HOUSING UNIT

## HOUSING UNIT



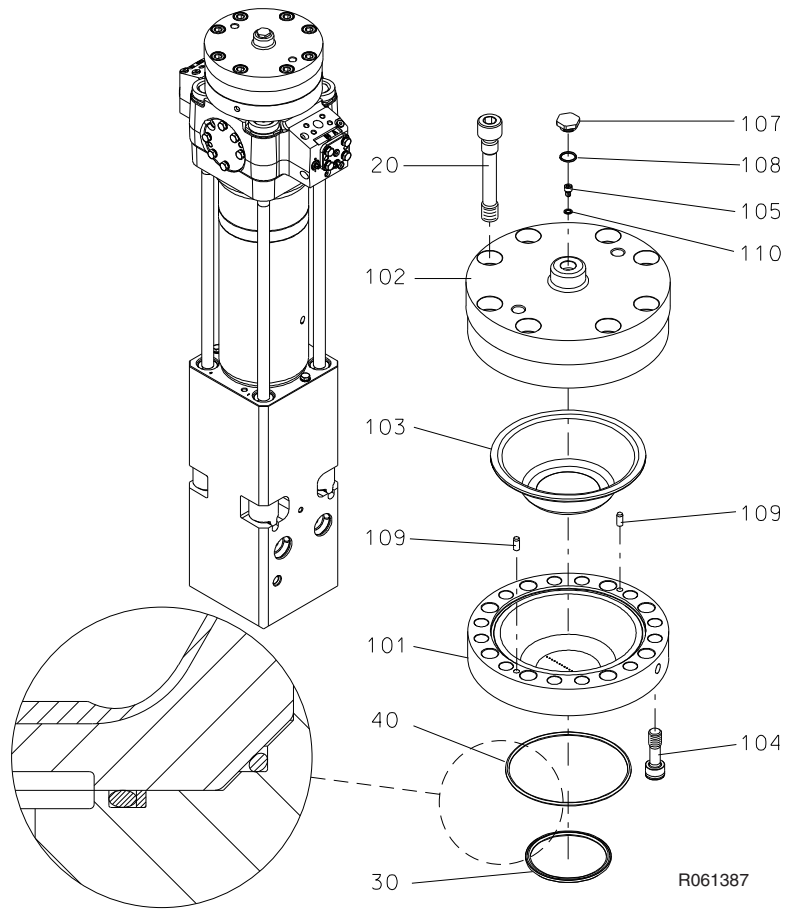
R061093

# HOUSING UNIT

Item	Description	Part no.	Specification	Note	Qty
1	Housing	78670			1
2	Pad	78671			2
3	Buffer	78673			1
10	Plug	78675			2
12	Hex. screw	76905	M24x110-12.9 ISO 4014		14
13	Washer	76906	24 ISO 7416		14
14	Lock nut	76907	M24-12 DIN 985		14
15	Shield plate	78676			2
16	Plug	77722			1
17	Plug	78604			1
18	Plug	77716			4
103	Wear plate	78677			4
109	Lifting eye	78612	M30 DIN 580		1
110	Hex. screw	78613	M30x40-8.8 ISO 4017		1
111	Seal	78678			1
130	Wear parts	78679			1
201	Label set (incl. part 201.1)	78680			1
201.1	Safety label set	76832			1

# ACCUMULATOR

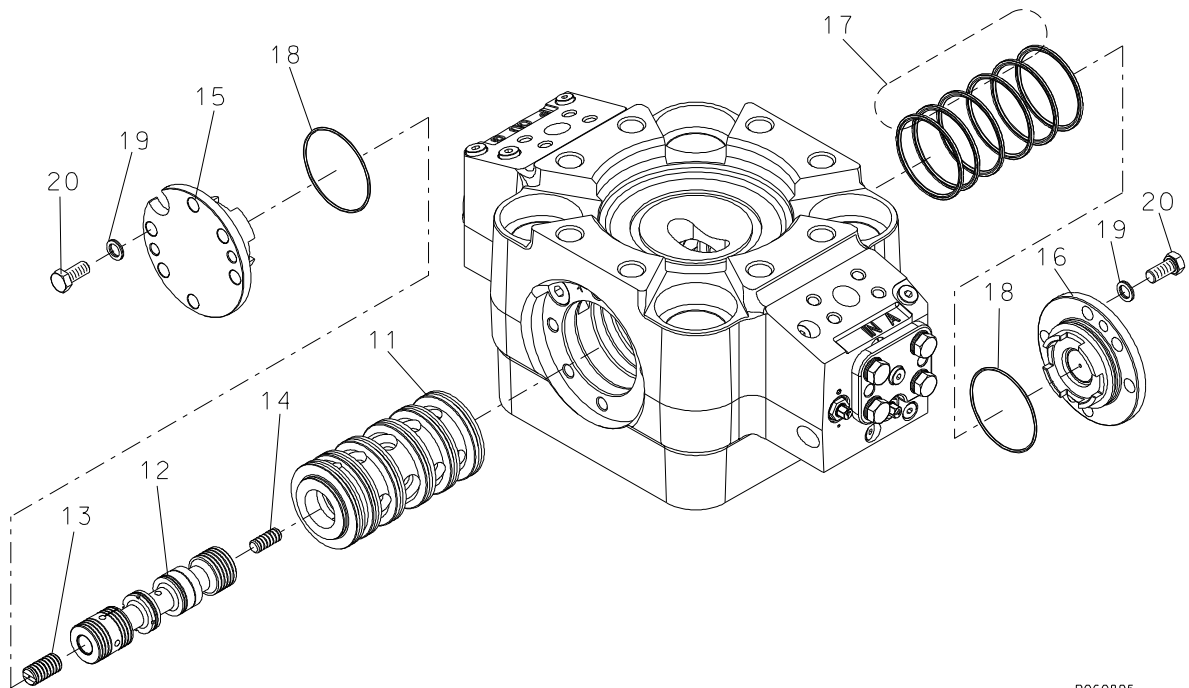
## ACCUMULATOR



Item	Description	Part no.	Specification	Note	Qty
1	Accumulator (incl. parts 101-110)	78681			1
101	Accumulator bottom	78682			1
102	Accumulator cover	78683			1
103	Membrane	78684			1
104	Accumulator screw	77780			12
105	Filling plug	76921			1
107	Shield plug	76922			1
108	O-ring	76844	D23	*	1
109	Parallel pin	77781	10m6x24 DIN 6325		2
110	Usit-ring	76846	8-13.9-1	*	1
20	Accumulator screw	78685			8
30	Seal	78686	D124	*	1
40	O-ring	78687	D194	*	1
	*) Are included in seal set				

# MAIN VALVE

## MAIN VALVE

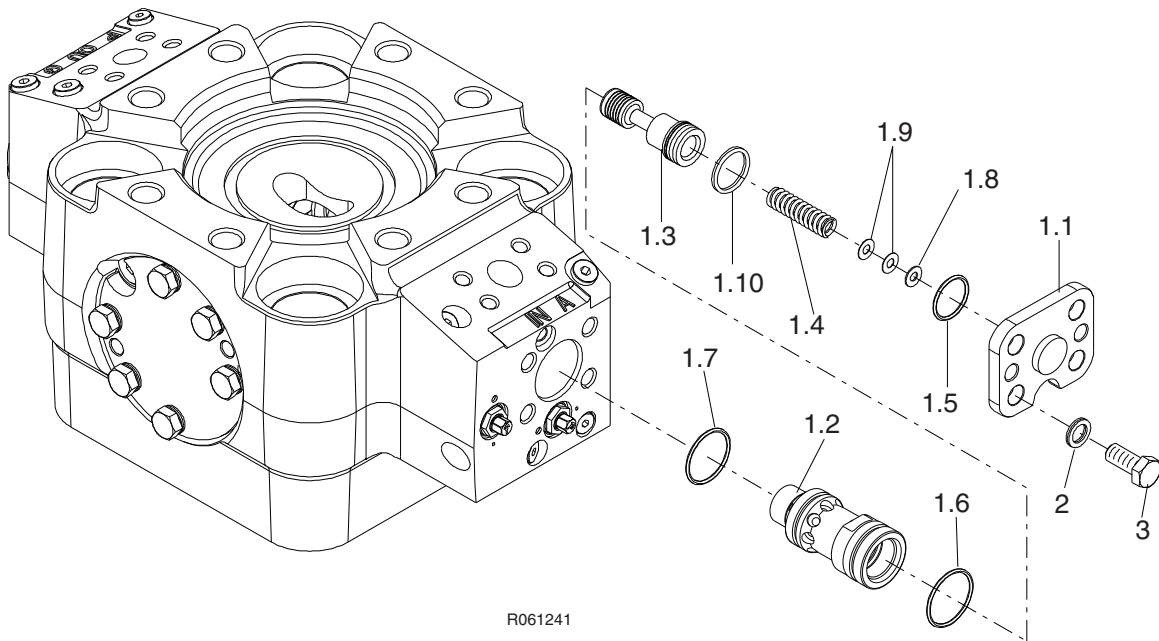


R060895

Item	Description	Part no.	Specification	Note	Qty
11	Main valve bushing	78688			1
12	Main spool	78689			1
13	Spool	78690	D23		1
14	Spool	78691	D16		1
15	Cover	78692			1
16	Cover	78693			1
17	Seal	77790	D110	*	6
18	O-ring	77789	D105	*	2
19	Lock washer	76852	M16 NORD-LOCK		12
20	Hex. screw	76933	M16x35-8.8 ISO 4017		12
	*) Are included in seal set				

# RESTRICTOR VALVE

## RESTRICTOR VALVE



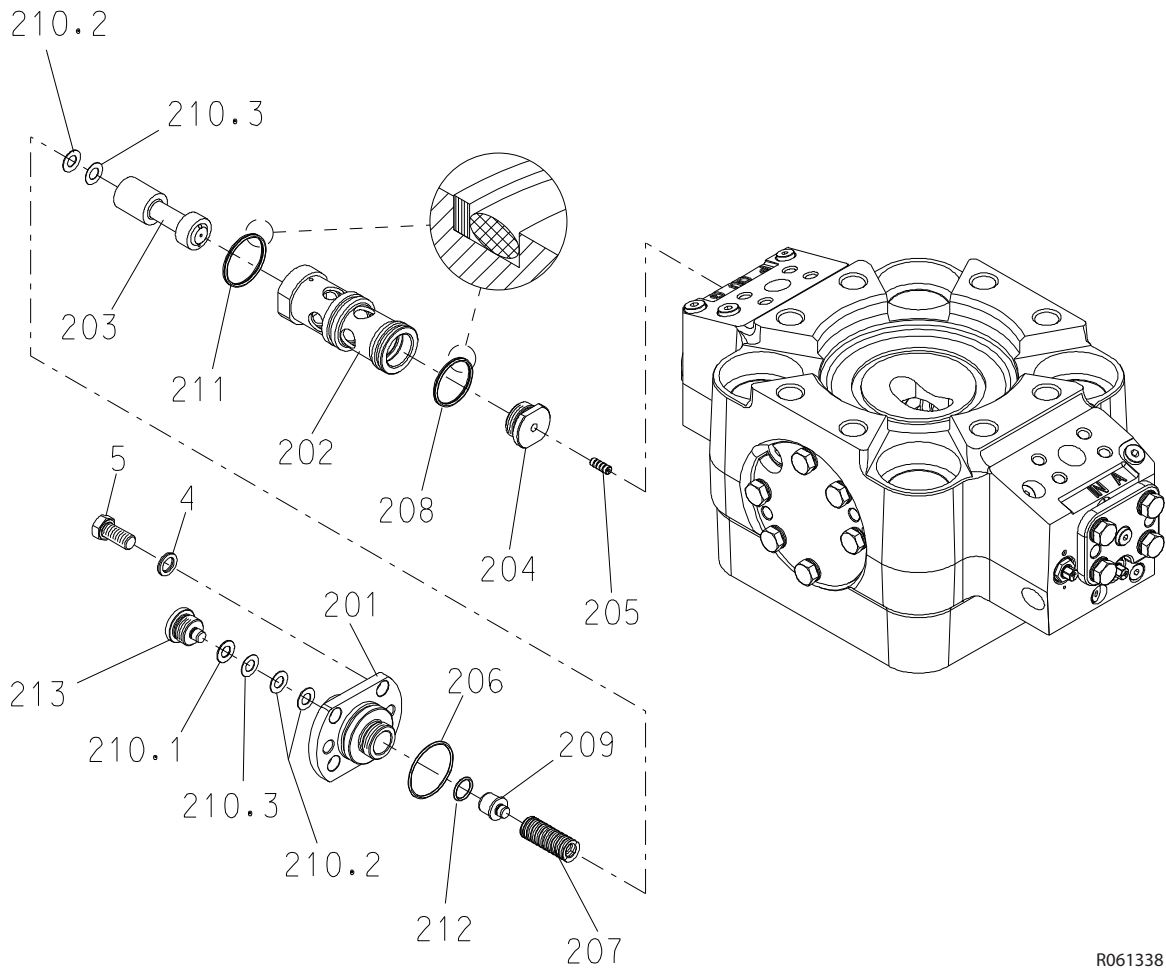
R061241

Item	Description	Part no.	Specification	Note	Qty
1	Restrictor valve (incl. parts 1.1-1.10)	78694			1
1.1	Cover	78695			1
1.2	Valve housing	78696			1
1.3	Spool	78697			1
1.4	Spring	78698			1
1.5	O-ring	76941	D34	*	1
1.6	O-ring	76939	D46	*	1
1.7	O-ring	76940	D44	*	1
1.8	Shim plate	78699	S=1		X
1.9	Shim plate	78700	S=0.5		X
1.10	Seal	76942	D34	*	1
2	Lock washer	76852	M16 NORD-LOCK		4
3	Hex. screw	76933	M16x35-8.8 ISO 4017		4
	*) Are included in seal set				



# PRESSURE CONTROL VALVE

## PRESSURE CONTROL VALVE



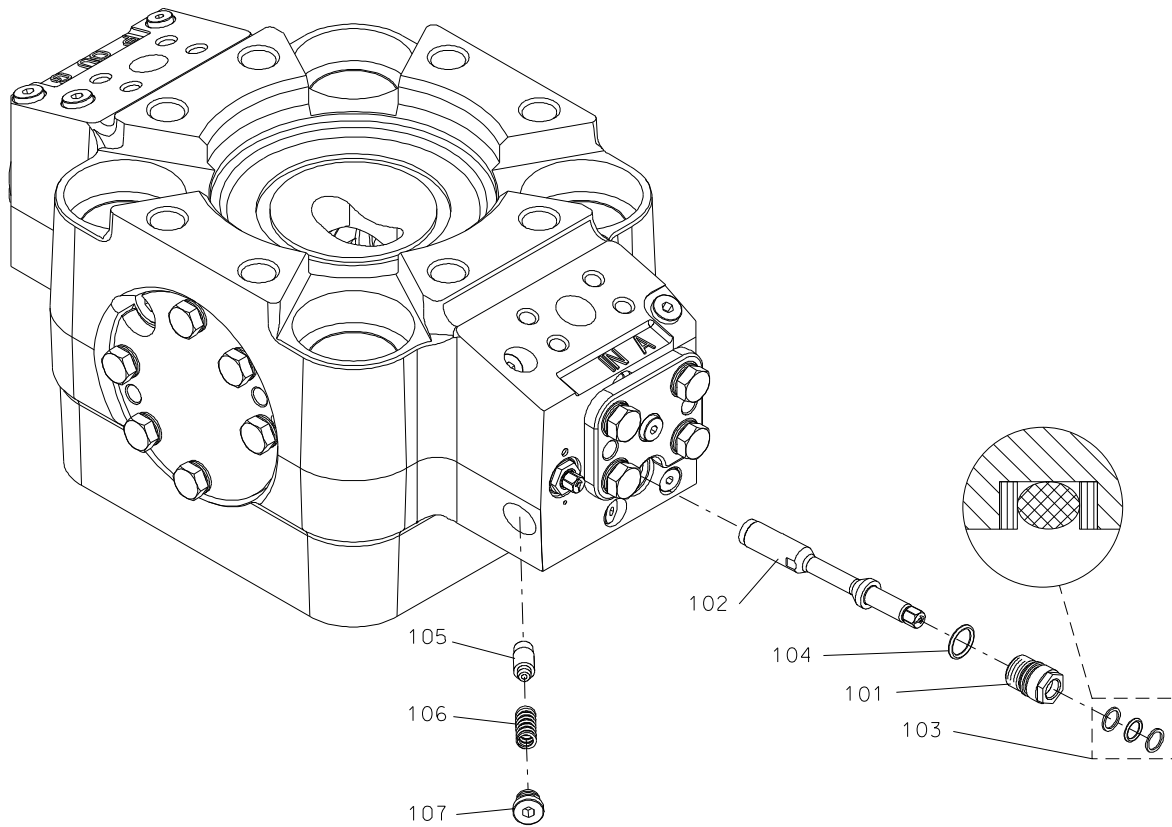
R061338

## PRESSURE CONTROL VALVE

Item	Description	Part no.	Specification	Note	Qty
2	Pressure control valve (incl. parts 201-213)	78701			1
201	Cover	77796			1
202	Valve housing	78702			1
203	Spool	78703			1
204	Guide	77799			1
205	Spool	78062	D9		1
206	O-ring	78628	D60	*	1
207	Spring	76950			1
208	Seal	78068	D50	*	1
209	Spring guide	78063			1
210.1	Shim plate	76953	S=0.75		X
210.2	Shim plate	76952	S=1		X
210.3	Shim plate	76951	S=0.5		X
211	Seal	78067	D55	*	1
212	O-ring	78066	D21	*	1
213	Plug	78064			1
4	Lock washer	76852	M16 NORD-LOCK		4
5	Hex. screw	76933	M16x35-8.8 ISO 4017		4
	*) Are included in seal set				

# IDLE SELECTOR

## IDLE SELECTOR

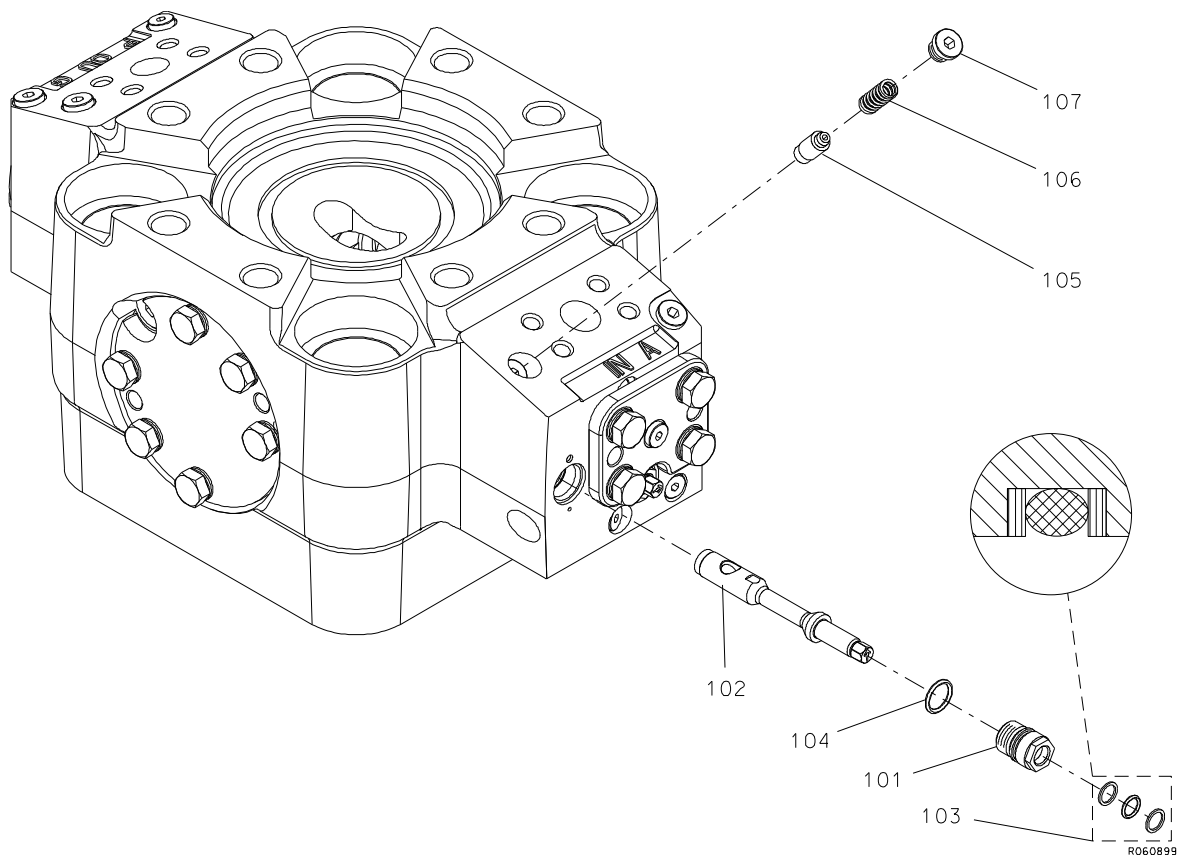


R060898

Item	Description	Part no.	Specification	Note	Qty
1	Valve (incl. parts 101-104)	78704			1
101	Cover	78705			1
102	Spool	78706			1
103	Seal	78707	D13	*	1
104	O-ring	78708	D20	*	1
105	Pin	78709			1
106	Spring	78710	Danly 9-1006-11		1
107	Flange plug	76847	BSP 3/8		1
	*) Are included in seal set				

# STROKE SELECTOR VALVE

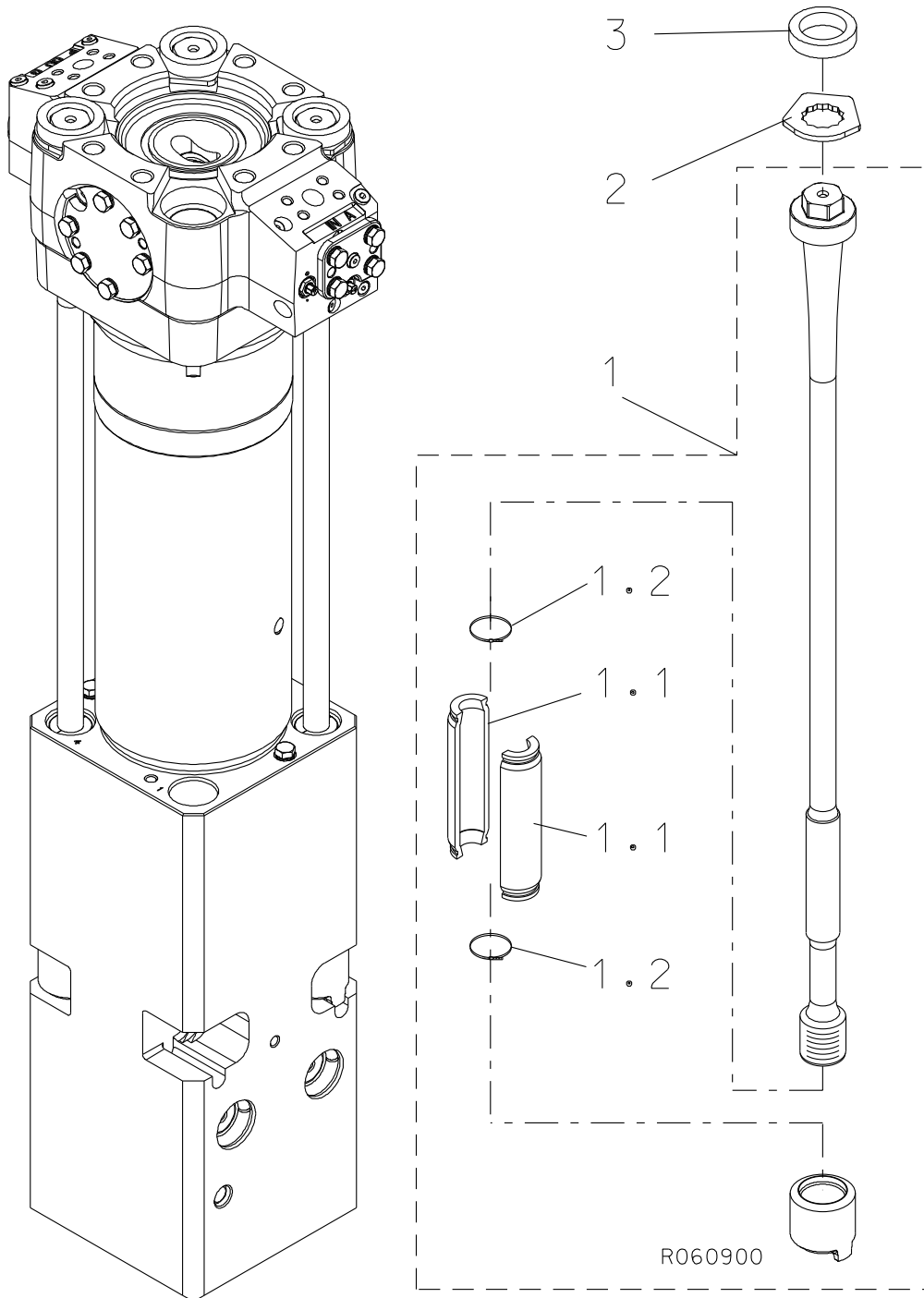
## STROKE SELECTOR VALVE



Item	Description	Part no.	Specification	Note	Qty
1	Valve (incl. parts 101-104)	78704			1
101	Cover	78705			1
102	Spool	78706			1
103	Seal	78707	D13	*	1
104	O-ring	78708	D20	*	1
105	Pin	78709			1
106	Spring	78710	Danly 9-1006-11		1
107	Flange plug	76847	BSP 3/8		1
	*) Are included in seal set				

# TIE RODS

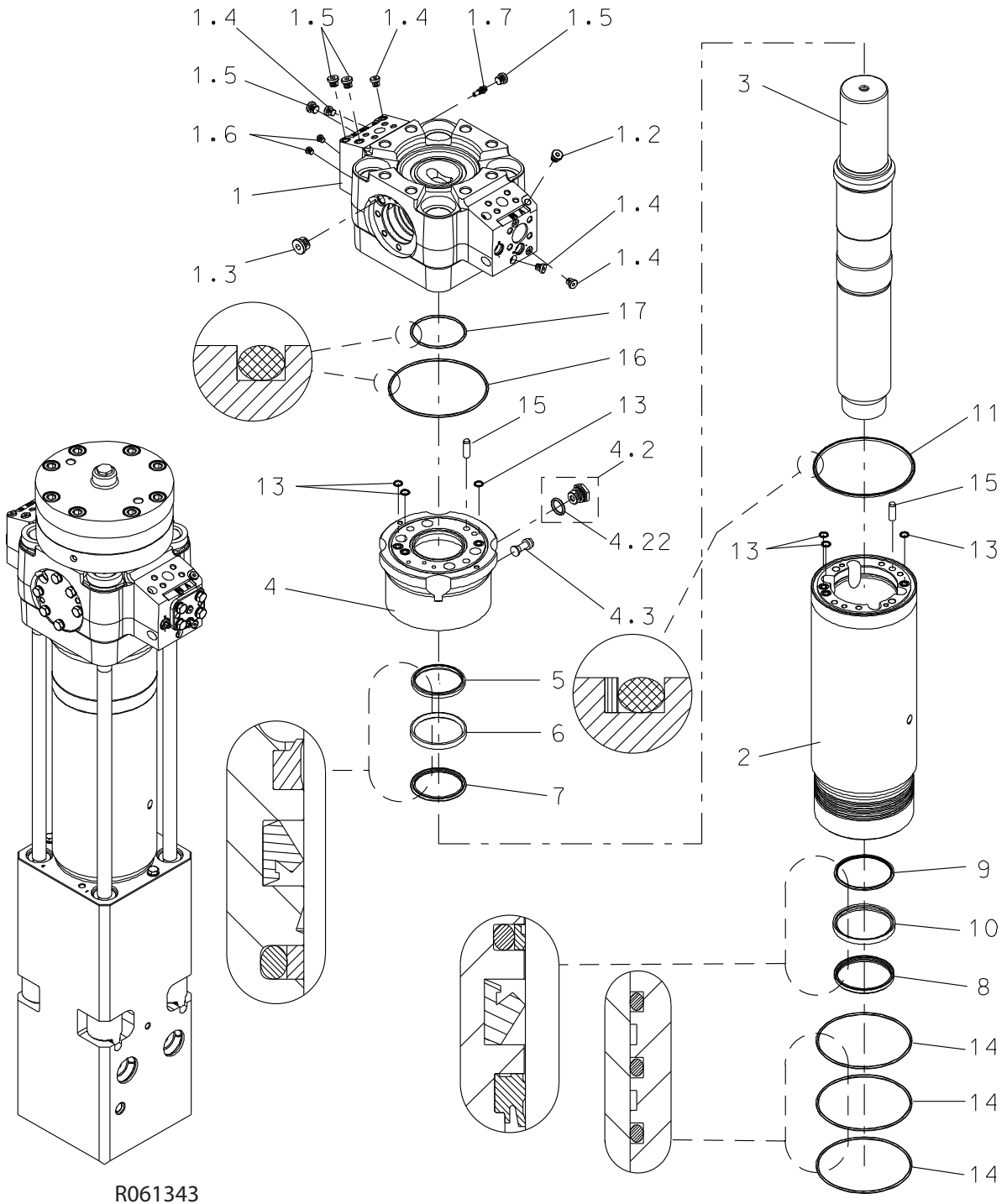
## TIE RODS



Item	Description	Part no.	Specification	Note	Qty
1	Tie rod (incl. parts 1.1-1.2)	78711			4
1.1	Vibration dampening element	78712			2
1.2	Cable tie	76962			2
2	Lock plate	78713			4
3	Rubber ring	78714			4

# BODY PARTS

## BODY PARTS



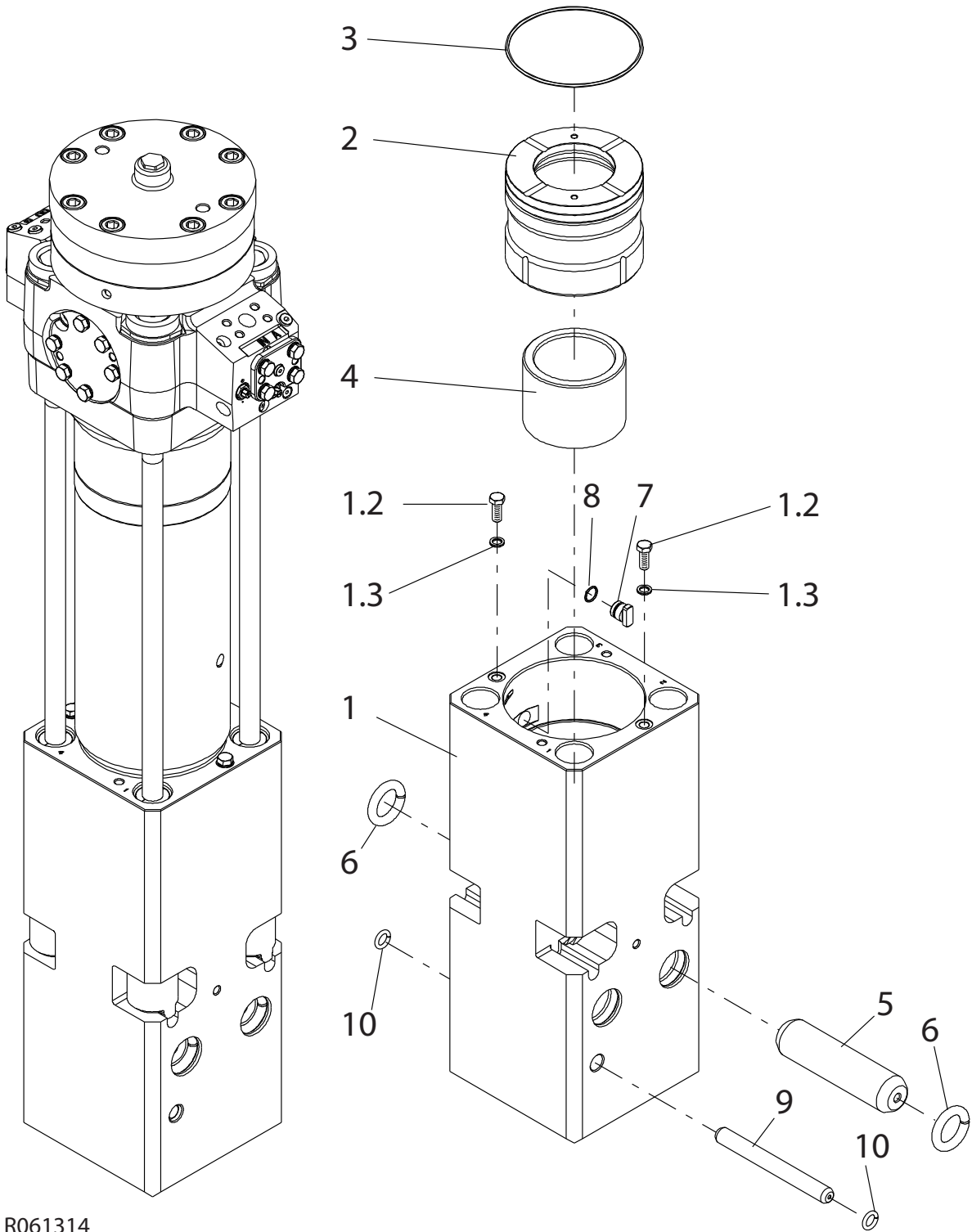
R061343

## BODY PARTS

Item	Description	Part no.	Specification	Note	Qty
1	Valve body (incl. parts 1.2-1.7)	78715			1
1.2	Breather	76971			1
1.3	Flange plug	76859	R3/4		1
1.4	Flange plug	76969	R1/4		4
1.5	Flange plug	76847	R3/8		4
1.6	Flange plug	76970	R1/8		2
1.7	Nozzle	78716			1
2	Cylinder	78717			1
3	Piston	78718			1
4	Seal carrier (incl. parts 4.2-4.4)	78719			1
4.2	Breather (incl. part 4.22)	78720			1
4.22	O-ring	78721	D27	*	1
4.3	Plug	78722			1
5	Wiper	78723	D119	*	1
6	Seal	78724	D120	*	1
7	Seal	78725	D118	*	1
8	Wiper	78726	D135	*	1
9	Seal	78727	D135	*	1
10	Seal	78728	D135	*	1
11	Seal	78729	D239	*	1
13	O-ring	78730	D17	*	6
14	O-ring	78648	D229	*	3
15	Parallel pin	78731	16m6x50 DIN 6325		2
16	O-ring	78732	D239	*	1
17	O-ring	78733	D129	*	1
	*) Are included in seal set				

# FRONT HEAD

## FRONT HEAD



R061314

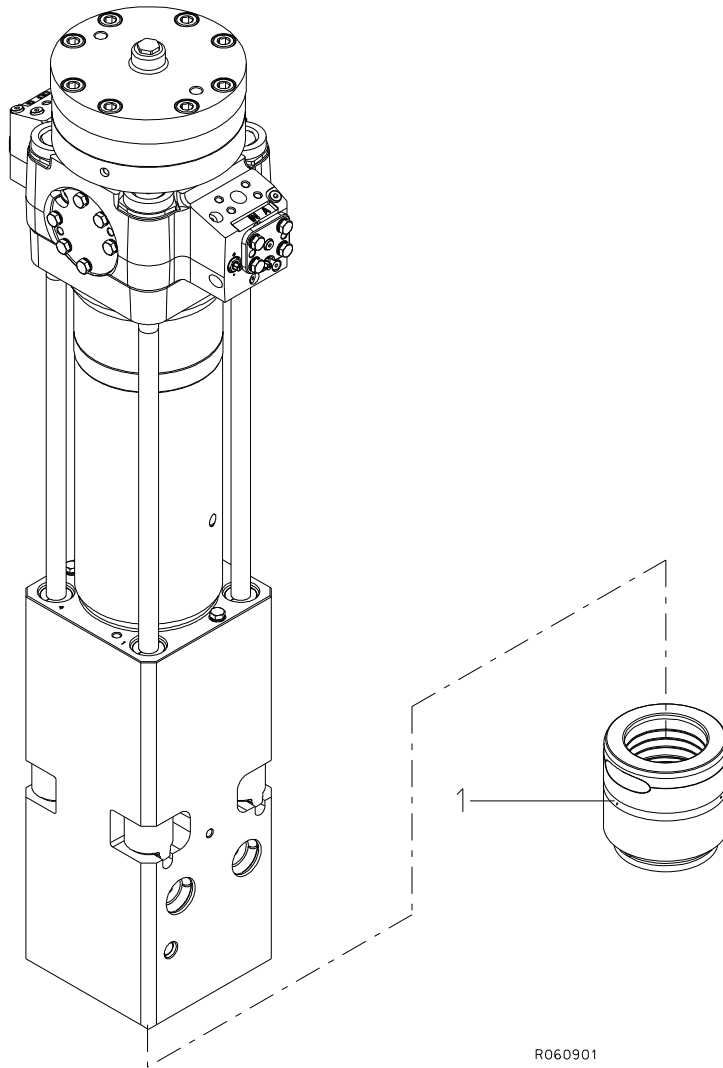


## FRONT HEAD

Item	Description	Part no.	Specification	Note	Qty
1	Front head (incl. parts 1.2-1.3)	78734			1
1.2	Hex. socket screw	78735	M16x40-12.9 ISO 4017		2
1.3	Lock washer	76852	M16 NORD-LOCK		2
2	Thrust ring	78736			1
3	O-ring	78648	D229	*	1
4	Upper tool bushing	78737			1
5	Tool retaining pin	78738			2
6	Ring	78652			4
7	Wedge	78739			1
8	O-ring	76838	D24	*	1
9	Retaining pin	78740	D30		1
10	Rubber ring	78741			2
	*) Are included in seal set				

# LOWER TOOL BUSHING

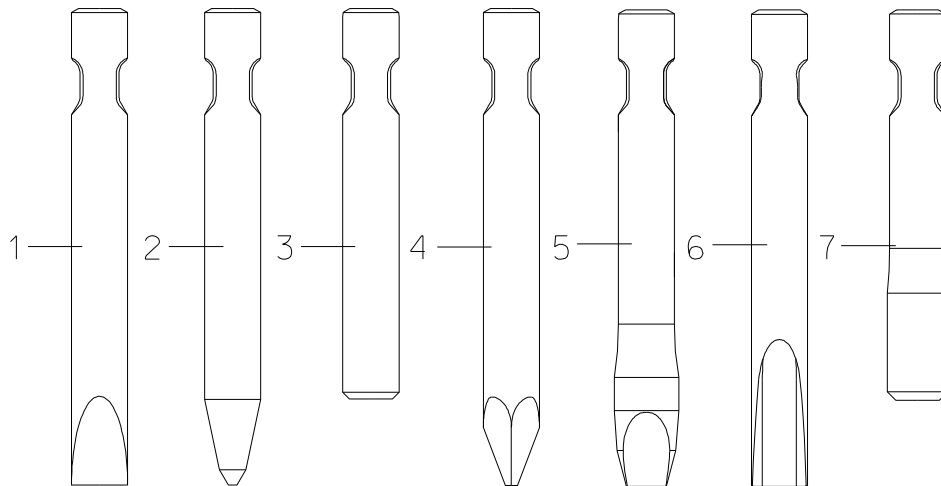
## LOWER TOOL BUSHING



Item	Description	Part no.	Specification	Note	Qty
1	Lower tool bushing	78742			1

# TOOL

## TOOL



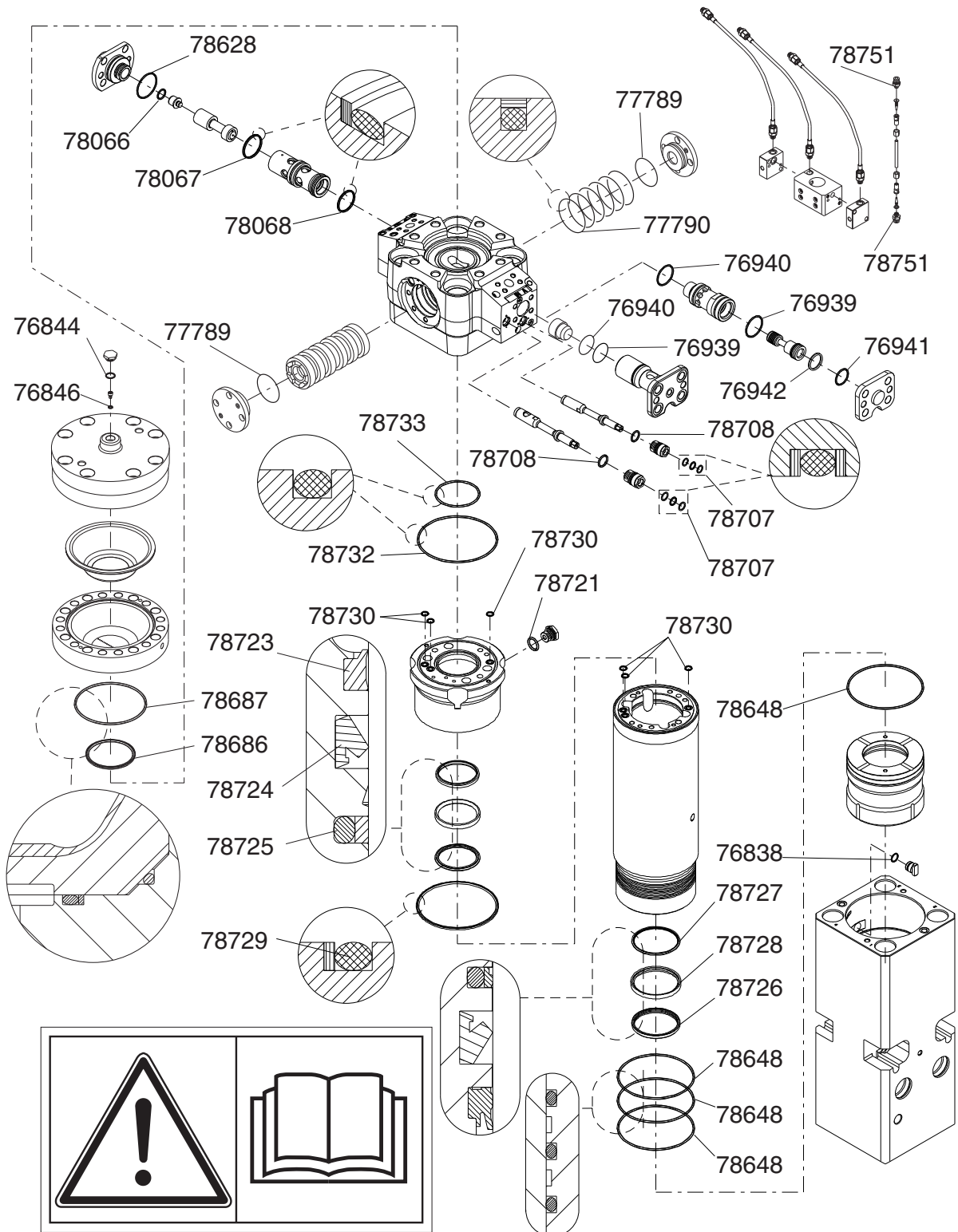
R060731

Item	Description	Part no.	Specification	Note	Qty
1	Chisel	78743	L = 1200 mm, W = 132 kg, D = 142 mm		1
2	Moil point	78744	L = 1200 mm, W = 128 kg, D = 142 mm		1
3	Blunt	78745	L = 1050 mm, W = 124 kg, D = 142 mm		1
4	Pyramid	78746	L = 1200 mm, W = 132 kg, D = 142 mm		1
5	Limestone Chisel	78748	L = 1200 mm, W = 140 kg, D = 142 mm		1
6	Hard Rock Chisel	78747	L = 1200 mm, W = 132 kg, D = 142 mm		1
7	Super Blunt	78749	L = 1100 mm, W = 138 kg, D = 148 mm		1

# SEAL SET

## SEAL SET

Seal set 78750



This summary only indicates the position of the seals. It must NOT be used as assembly instruction. Read the manual.

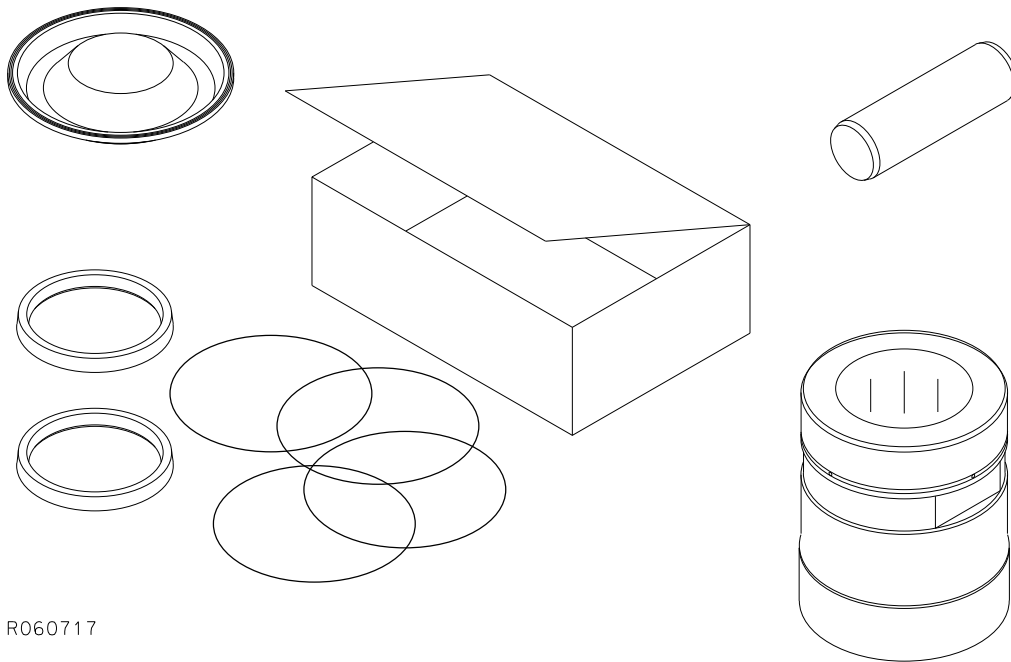
LB060005

## SEAL SET

Item	Description	Part no.	Specification	Note	Qty
Kit	Seal set (incl. parts 1-30)	78750			1
1	O-ring	76844	D23		1
2	Usit-ring	76846	8-13.9-1		1
3	Seal	78686	D124		1
4	O-ring	78687	D194		1
5	Seal	78707	D13		2
6	O-ring	78708	D20		2
7	O-ring	78628	D60		1
8	Seal	78068	D50		1
9	Seal	78067	D55		1
10	O-ring	78066	D21		1
11	Seal	77790	D110		6
12	O-ring	77789	D105		2
13	O-ring	76939	D46		1
14	O-ring	76940	D44		1
15	O-ring	78648	D229		4
16	O-ring	76838	D24		1
17	O-ring	78721	D27		1
18	Wiper	78723	D119		1
19	Seal	78724	D120		1
20	Seal	78725	D118		1
21	Wiper	78726	D135		1
22	Seal	78727	D135		1
23	Seal	78728	D135		1
24	Seal	78729	D239		1
25	O-ring	78730	D17		6
26	O-ring	78732	D239		1
27	O-ring	78733	D129		1
28	O-ring	78751	D9		6
29	O-ring	76941	D34		1
30	Seal	76942	D34		1
	The seals for greasing device are not included in this seal set. They are included in the service kit for greasing device.				

# SERVICE KIT

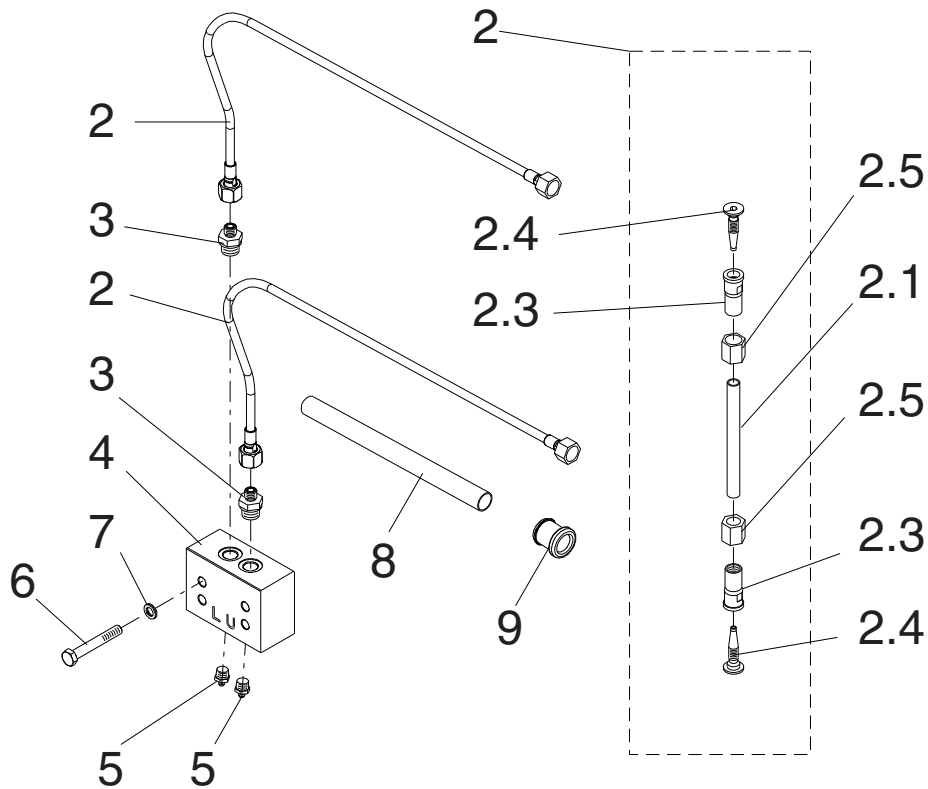
## SERVICE KIT



Item	Description	Part no.	Specification	Note	Qty
Kit	Service kit (incl. parts 1 - 4)	78752			1
1	Membrane	78684			1
2	Tool retaining pin	78738			2
3	Lower tool bushing	78742			1
4	Seal set	78750			1

# GREASING BLOCK FOR MANUAL GREASING

## GREASING BLOCK FOR MANUAL GREASING

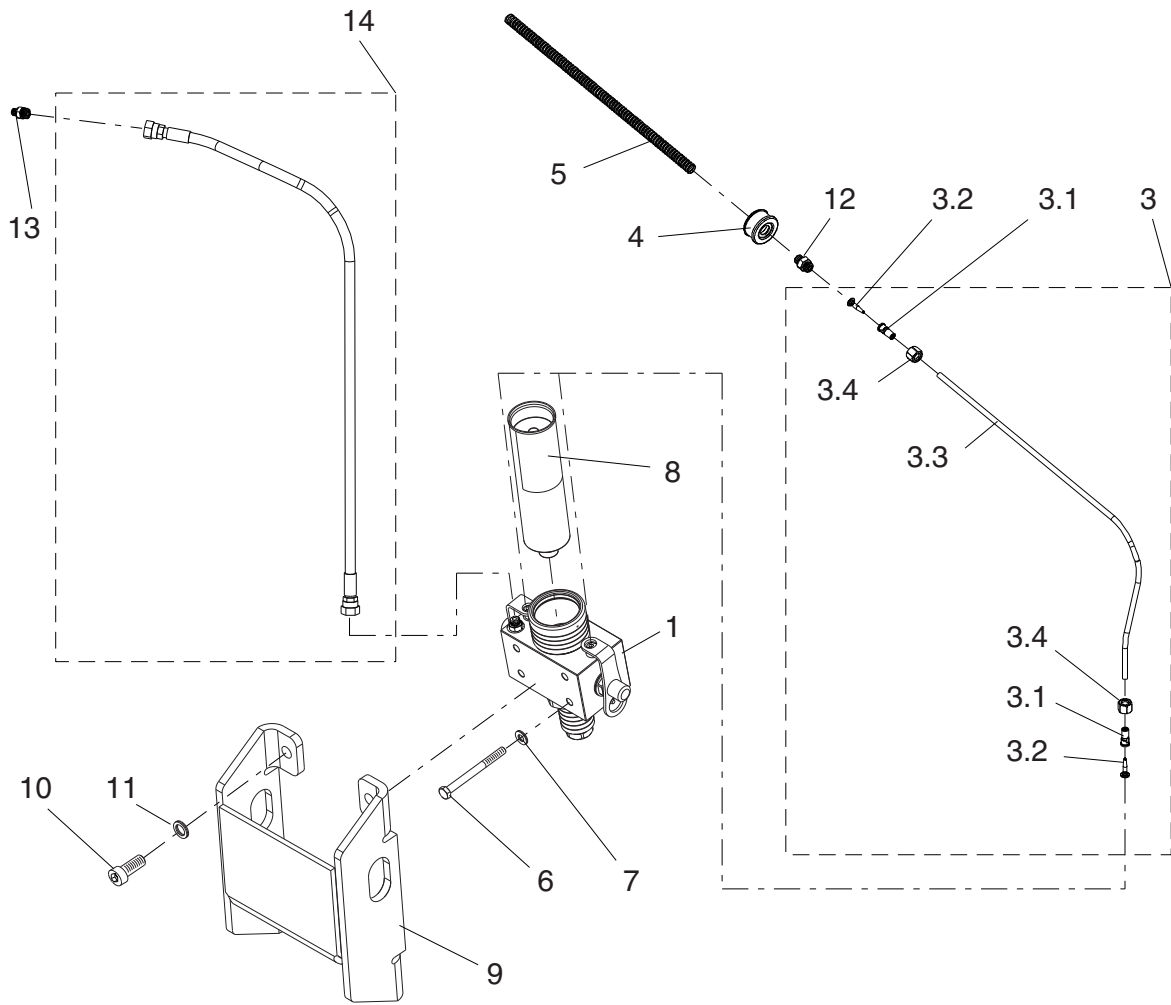


R061085

Item	Description	Part no.	Specification	Note	Qty
Kit	Greasing block for manual greasing (incl. parts 3-7)	78755			1
2	Hose assembly (incl. parts 2.1-2.5)	78756			2
2.1	Hose	78757			1
2.3	Sleeve	77707			2
2.4	Insert	77708			2
2.5	Nut	77710			2
3	Connector	77712	BSPP 1/4		2
4	Body	78758			1
5	Grease zerk	77714	R1/4		2
6	Hex. screw	78759	M10x70-8.8 ISO 4014		4
7	Lock washer	77725	M10 NL10sp NORD-LOCK		4
8	Shield	77723			1
9	Rubber bushing	77722			1

# GREASING DEVICE KIT

## GREASING DEVICE KIT



R061351



## GREASING DEVICE KIT

Item	Description	Part no.	Specification	Note	Qty
1	Greasing device RG542	78761			1
3	Hose assembly (incl. parts 3.1-3.4)	77720			2
3.1	Sleeve	77707			2
3.2	Insert	77708			2
3.3	Hose	77721			1
3.4	Nut	77710			2
4	Rubber bushing	77722			1
5	Shield	77723			1
6	Hex. screw	77724	M10x110-8.8 ISO 4014		4
7	Lock washer	77725	M10 NL10sp NORD-LOCK		4
8	Grease cartridge	77726	Special tool grease, Greasing device cartridge. Greasing device cartridges are also sold in boxes of 24.		1
9	Shield	78762			1
10	Hex. socket screw	77728	M16x35-8.8 ISO 4762		4
11	Lock washer	76852	M16 NORD-LOCK		4
12	Connector	77711	BSPP 3/8		2
13	Connector	77712	BSPP 1/4		1
14	Hose assembly	77729			1

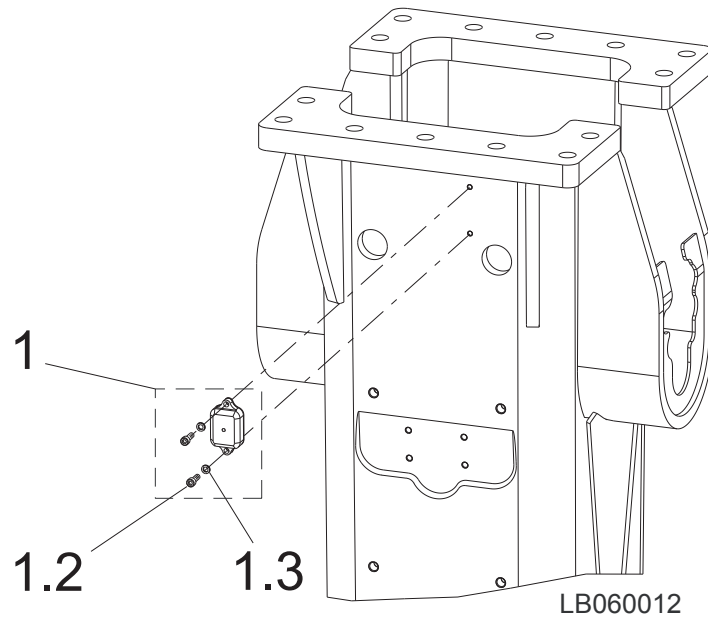


## GREASING DEVICE

Item	Description	Part no.	Specification	Note	Qty
1	Greasing device RG542 (incl. parts 2-21)	78761			1
2	Dozer (incl. parts 2.1-2.14)	77730			2
2.1	Plug	77731			1
2.2	Nut	77732	M12x1 DIN 934		1
2.3	Lock washer	76854	M24 NORD-LOCK	*	1
2.4	O-ring	77733	D21	*	1
2.5	Adjusting screw	77734			1
2.6	O-ring	77735	D8	*	1
2.7	O-ring	77736	D11	*	2
2.8	Spring	77737		*	1
2.9	Piston	77738			1
2.10	O-ring	77739	D7	*	1
2.11	Piston	77740		*	1
2.12	Body	77741			1
2.13	O-ring	77742	D15	*	1
2.14	Shim plate	77743		*	1
3	Grease zerk	77714	BSP 1/4	*	2
4	Plug	77744		*	2
5	Locking plate	77745			2
6	Body	78763			1
7	Cartridge holder	78764			1
8	Check valve	77748			1
9	O-ring	77749	D19	*	1
10	O-ring	77750	D62	*	1
11	O-ring	77751	D71	*	1
12	O-ring	77752	D52	*	2
13	Guide ring	77753		*	1
14	Seal	77754		*	1
15	Spring housing	77755			1
16	Spring	77756			1
17	Piston	77757			1
18	Nut	77758			1
19	Lock plate	77759		*	1
20	Hex. socket screw	77760	M8x10-8.8 ISO 4762	*	1
21	Connector	77712	BSPP 1/4		3
kit	Seal set for greasing device	77761			1
	*) Are included in seal set for greasing device				

# SDC SERVICE INDICATOR

## SDC SERVICE INDICATOR



Item	Description	Part no.	Specification	Note	Qty
1	SDC service indicator (incl. parts 1.2-1.3)	77762			1
1.2	Hex. socket screw	79177	M8x25- 8.8 ISO 4762		2
1.3	Lock washer	79178	M8 NORD-LOCK		2





**LaBounty**  
**1538 Highway 2**  
**Two Harbors, Minnesota 55616-8015 USA**  
**Phone: (218) 834-2123**  
**Fax: (218) 834-3879**