



Original instructions

ENG

9/17

LaBounty

LMB5545

HYDRAULIC BREAKER
Parts manual



Part Number: **PMLMB5545XENG.917**

TABLE OF CONTENTS

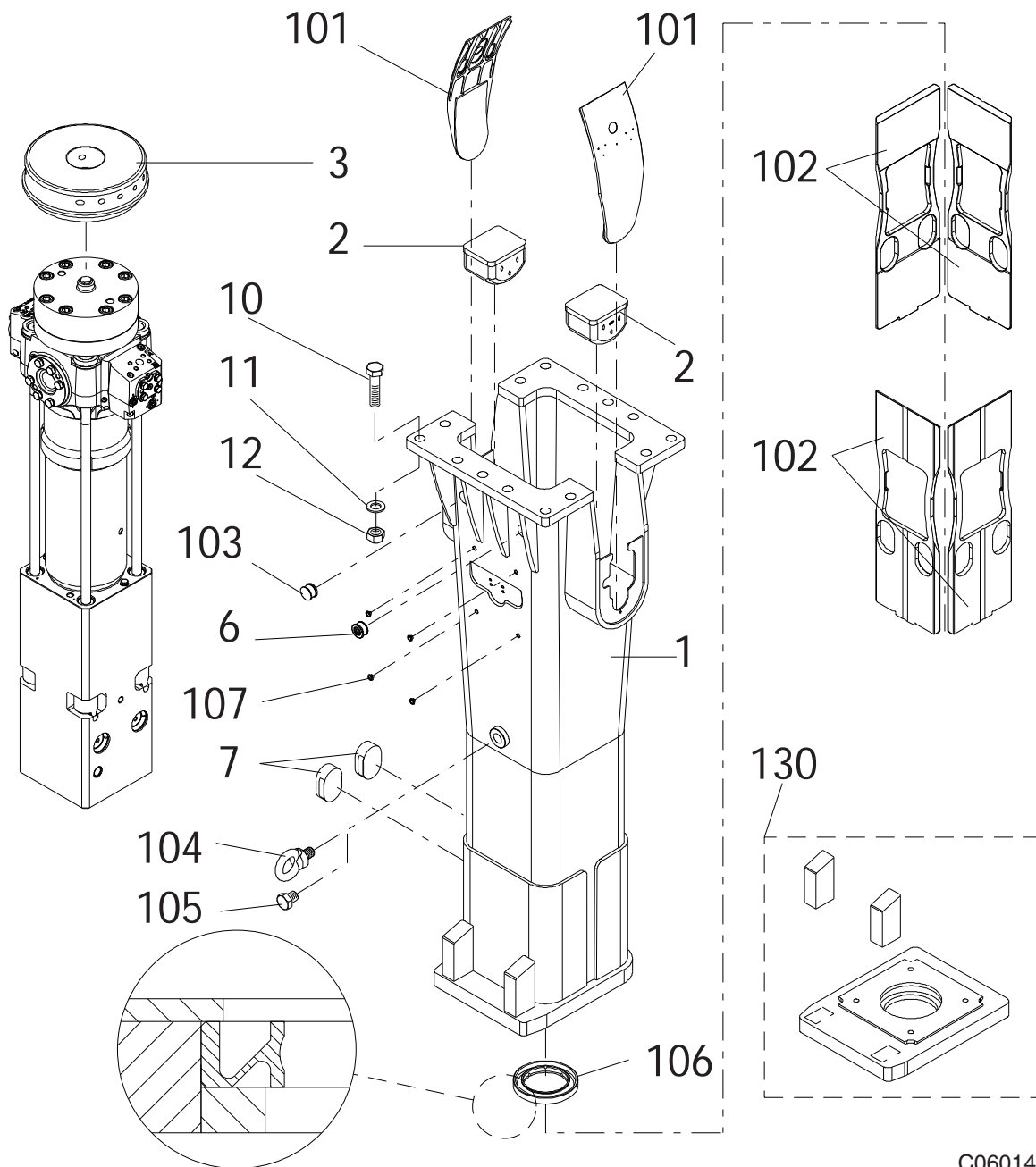
Housing unit	4
Accumulator	6
Main valve	7
Restrictor valve	8
Pressure control valve	9
Idle selector	11
Stroke selector valve	12
Tie rods	13
Body parts	14
Front head	16
Lower tool bushing	17
Tool	18
Seal set	19
Service kit	21
Service kit 2A	22
Greasing device kit	23
Greasing device	25
SDC service indicator	27

•

PARTS

HOUSING UNIT

HOUSING UNIT



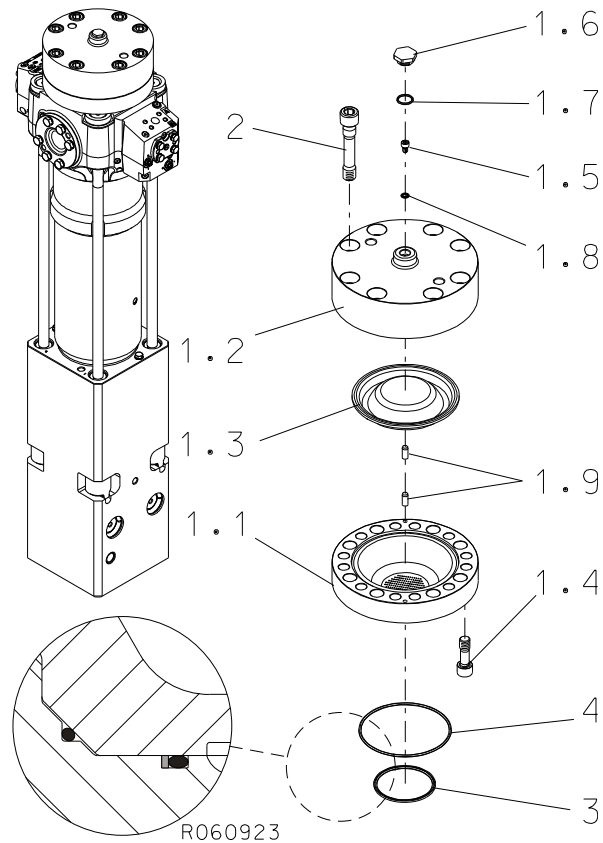
C060141

HOUSING UNIT

Item	Description	Part no.	Specification	Note	Qty
1	Housing	78766			1
2	Pad	78767			2
3	Buffer	78768			1
6	Plug	77722			1
7	Plug	78769			2
10	Hex. screw	78770	M36x140-8.8 ISO 4014		14
11	Washer	78771	37 ISO 7416		14
12	Lock nut	78772	M36-8 DIN 985		14
101	Shield plate	78773			2
102	Wear plate	78774			4
103	Plug	78604			1
104	Lifting eye	78775	M36 DIN 580		1
105	Hex. screw	78776	M36x40-8.8 ISO 4017		1
106	Seal	78777			1
107	Plug	77716			4
130	Wear parts	78778			1
200	Label set (incl. part 200.1)	78779			1
200.1	Safety label set	76832	English		1

ACCUMULATOR

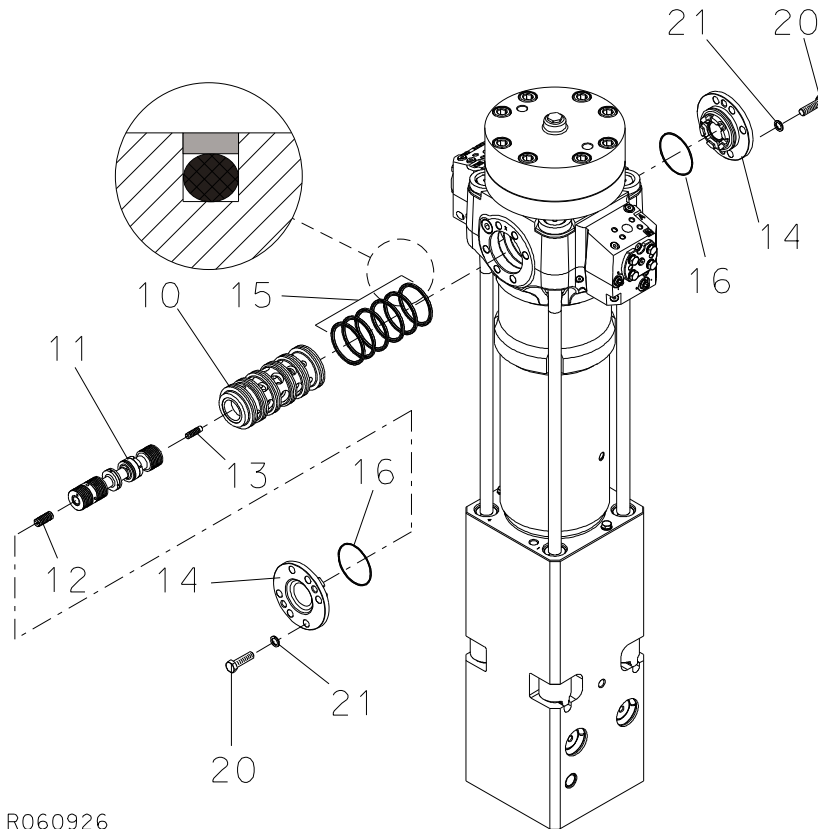
ACCUMULATOR



Item	Description	Part no.	Specification	Note	Qty
1	Accumulator (incl. parts 1.1-1.9)	78780			1
1.1	Accumulator bottom	78781			1
1.2	Accumulator cover	78782			1
1.3	Membrane	78783			1
1.4	Accumulator screw	78784			12
1.5	Filling plug	76921			1
1.6	Shield plug	76922			1
1.7	O-ring	76844	D23	*	1
1.8	Usit-ring	76846	8-13.9-1	*	1
1.9	Parallel pin	77781	10m6x24 ISO 8734		2
2	Accumulator screw	78785			8
3	Seal	78786		*	1
4	O-ring	78648	D229	*	1
	*) Are included in seal set				

MAIN VALVE

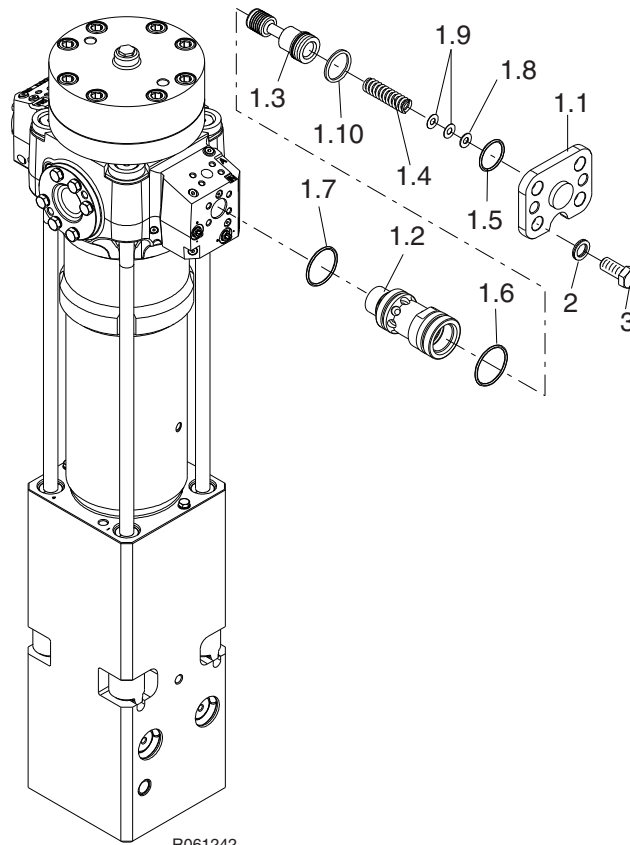
MAIN VALVE



Item	Description	Part no.	Specification	Note	Qty
1	Main valve (incl. parts 10-16)	78787			1
10	Main valve bushing	78788			1
11	Main spool	78789			1
12	Spool	78790			1
13	Spool	78791			1
14	Cover	78792			2
15	Seal	78793	D125	*	6
16	O-ring	76836	D120	*	2
20	Hex. screw	78794	M20x70-10.9 ISO 4014		12
21	Lock washer	76830	M20 NORD-LOCK		12
	*) Are included in seal set				

RESTRICTOR VALVE

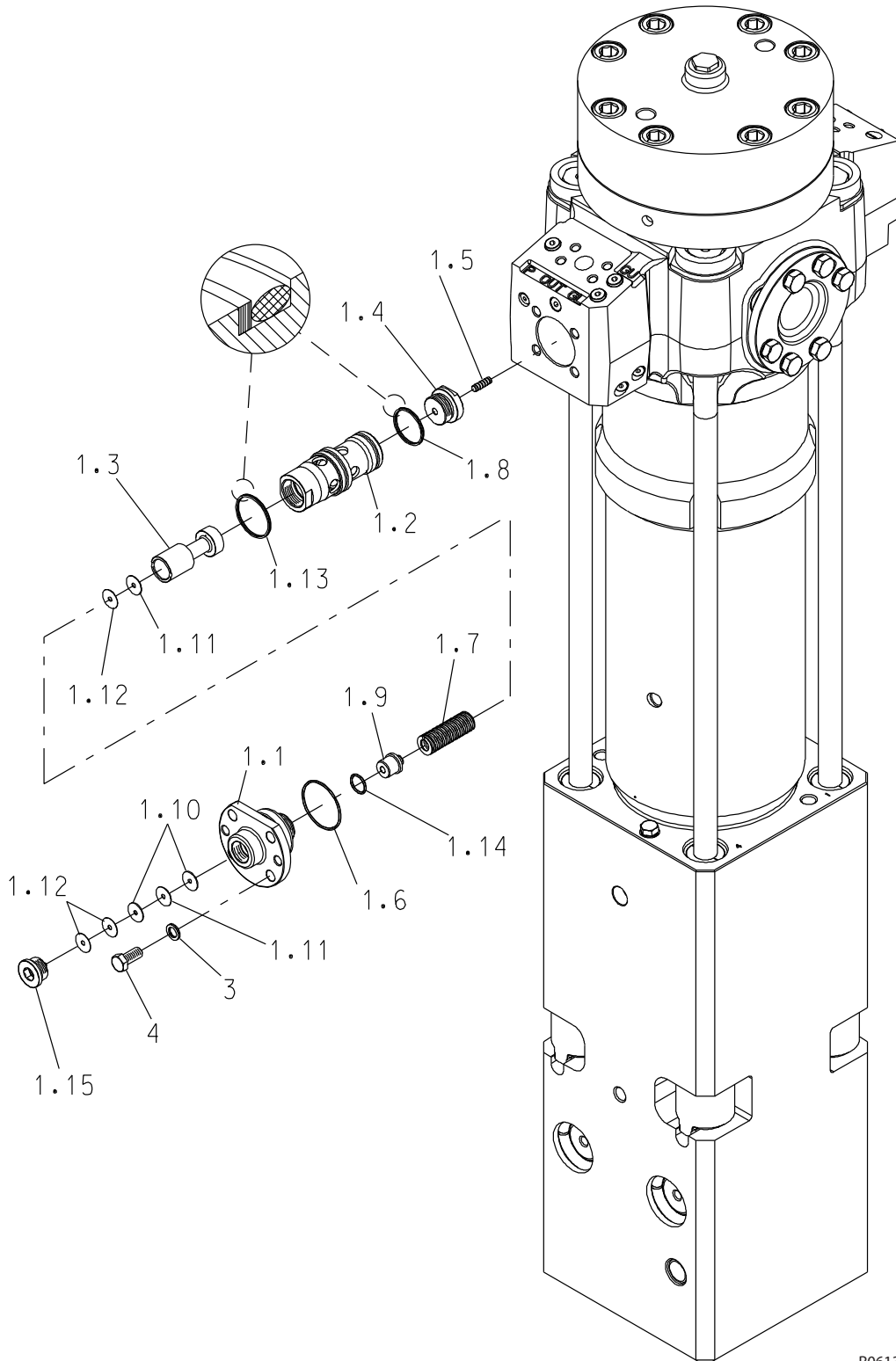
RESTRICTOR VALVE



Item	Description	Part no.	Specification	Note	Qty
1	Restrictor valve (incl. parts 1.1-1.10)	78795			1
1.1	Cover	78695			1
1.2	Valve housing	78796			1
1.3	Spool	78697			1
1.4	Spring	78698			1
1.5	O-ring	76941	D34	*	1
1.6	O-ring	76939	D46	*	1
1.7	O-ring	76940	D44	*	1
1.8	Shim plate	78699	S=1		X
1.9	Shim plate	78700	S=0.5		X
1.10	Seal	76942	D34	*	1
2	Lock washer	76852	M16 NORD-LOCK		4
3	Hex. screw	76933	M16x35-8.8 ISO 4017		4
	*) Are included in seal set				

PRESSURE CONTROL VALVE

PRESSURE CONTROL VALVE



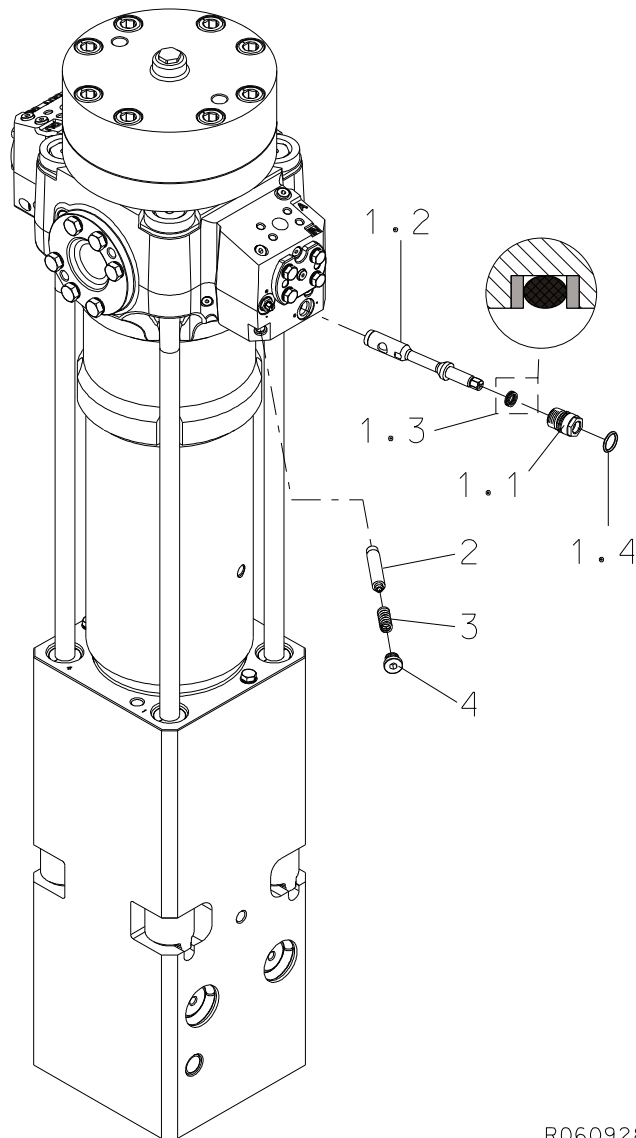
R061339

PRESSURE CONTROL VALVE

Item	Description	Part no.	Specification	Note	Qty
1	Pressure control valve (incl. parts 1.1-1.15)	78797			1
1.1	Cover	78798			1
1.2	Valve housing	78799			1
1.3	Spool	79001			1
1.4	Guide	79002			1
1.5	Spool	79003			1
1.6	O-ring	79004	D75	*	1
1.7	Spring	79005			1
1.8	Seal	78067	D55	*	1
1.9	Spring guide	79006			1
1.10	Shim plate	79007	S=0.75		X
1.11	Shim plate	79008	S=1		X
1.12	Shim plate	79009	S=0.5		X
1.13	Seal	79010	D65	*	1
1.14	O-ring	79011	D26	*	1
1.15	Plug	79012			1
3	Lock washer	76852	M16 NORD-LOCK		4
4	Hex. screw	76933	M16x35-8.8 ISO 4017		4
	*) Are included in seal set				

IDLE SELECTOR

IDLE SELECTOR

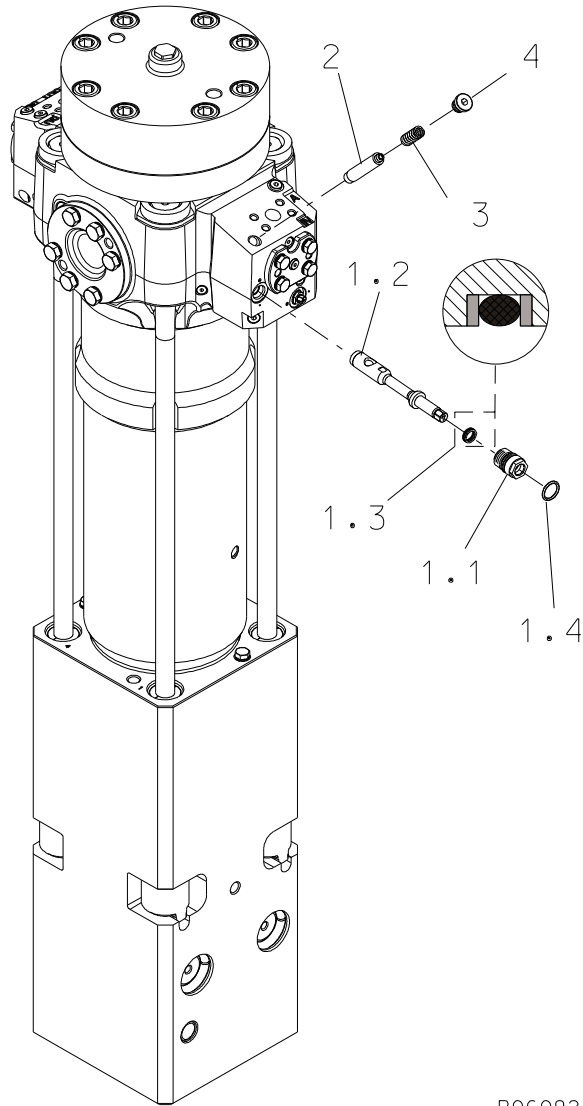


R060928

Item	Description	Part no.	Specification	Note	Qty
1	Valve (incl. parts 1.1-1.4)	78704			1
1.1	Cover	78705			1
1.2	Spool	78706			1
1.3	Seal	78707	D13	*	1
1.4	O-ring	78708	D20	*	1
2	Pin	79013			1
3	Spring	78710	Danly 9-1006-11		1
4	Flange plug	76847	BSP 3/8		1
	*) Are included in seal set				

STROKE SELECTOR VALVE

STROKE SELECTOR VALVE

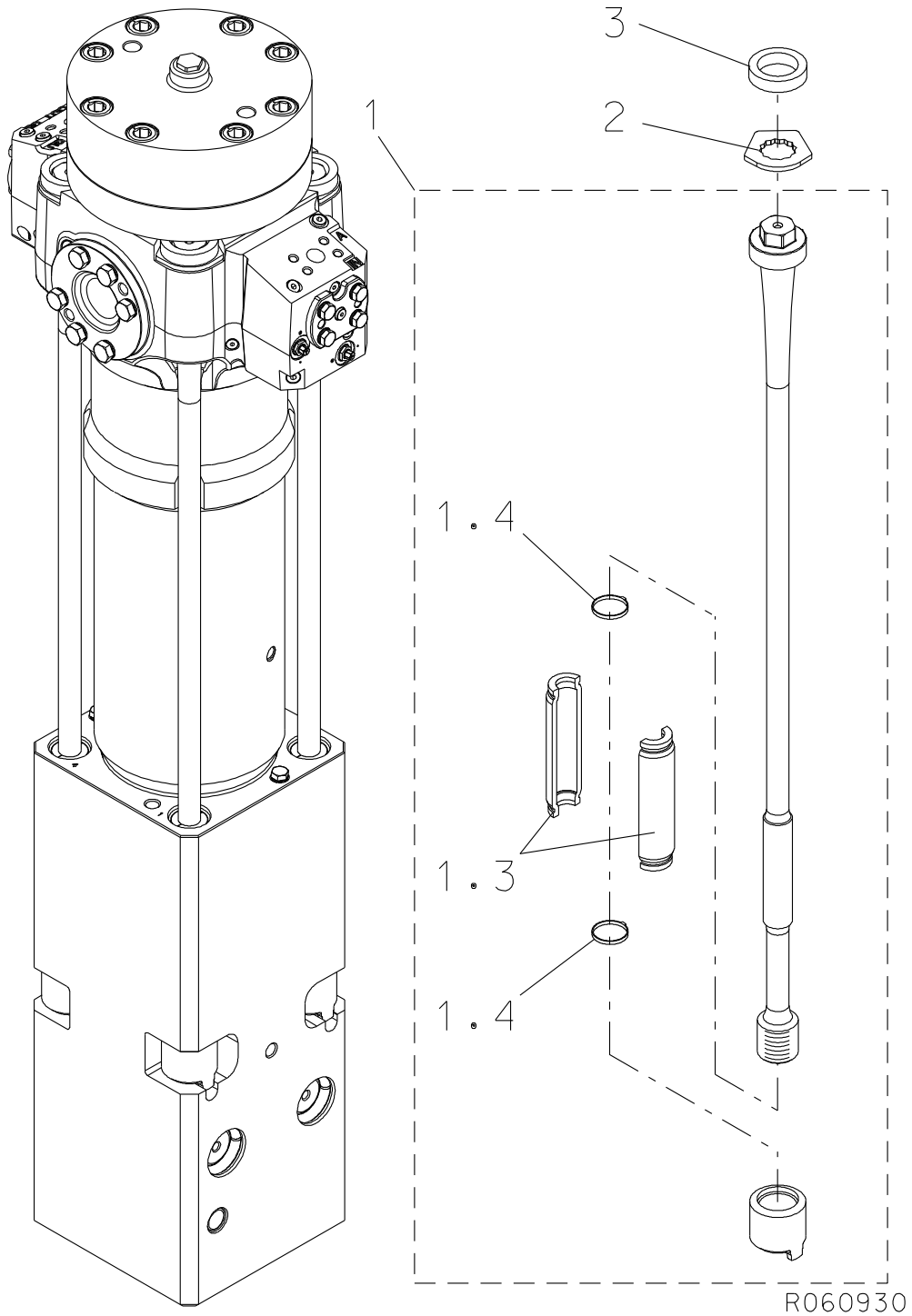


R060927

Item	Description	Part no.	Specification	Note	Qty
1	Valve (incl. parts 1.1-1.4)	78704			1
1.1	Cover	78705			1
1.2	Spool	78706			1
1.3	Seal	78707	D13	*	1
1.4	O-ring	78708	D20	*	1
2	Pin	79013			1
3	Spring	78710	Danly 9-1006-11		1
4	Flange plug	76847	BSP 3/8		1
	*) Are included in seal set				

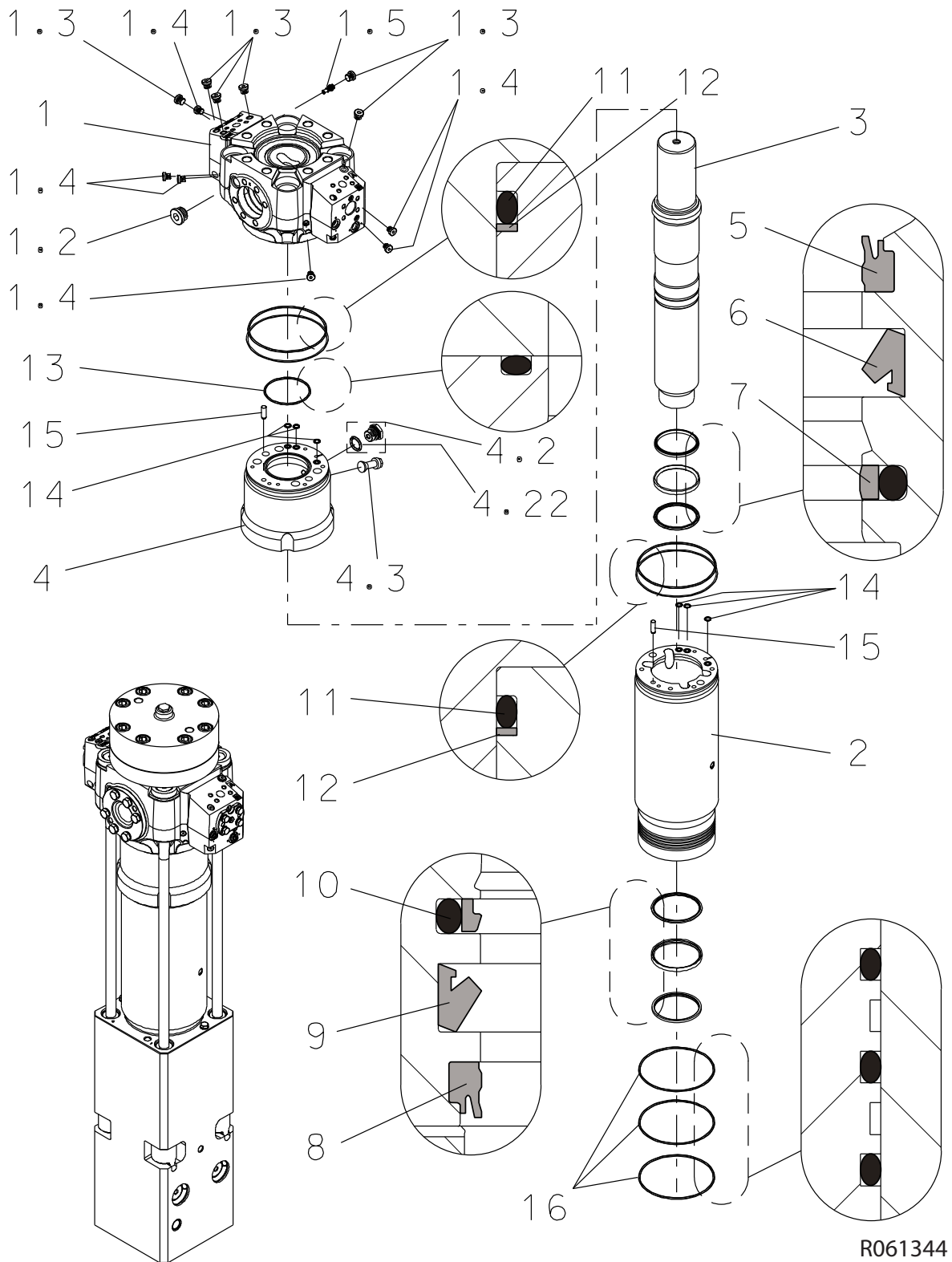
TIE RODS

TIE RODS



Item	Description	Part no.	Specification	Note	Qty
1	Tie rod (incl. parts 1.3-1.4)	79014			4
1.3	Vibration dampening element	78712			2
1.4	Cable tie	76962			2
2	Lock plate	78713			4
3	Rubber ring	78714			4

BODY PARTS

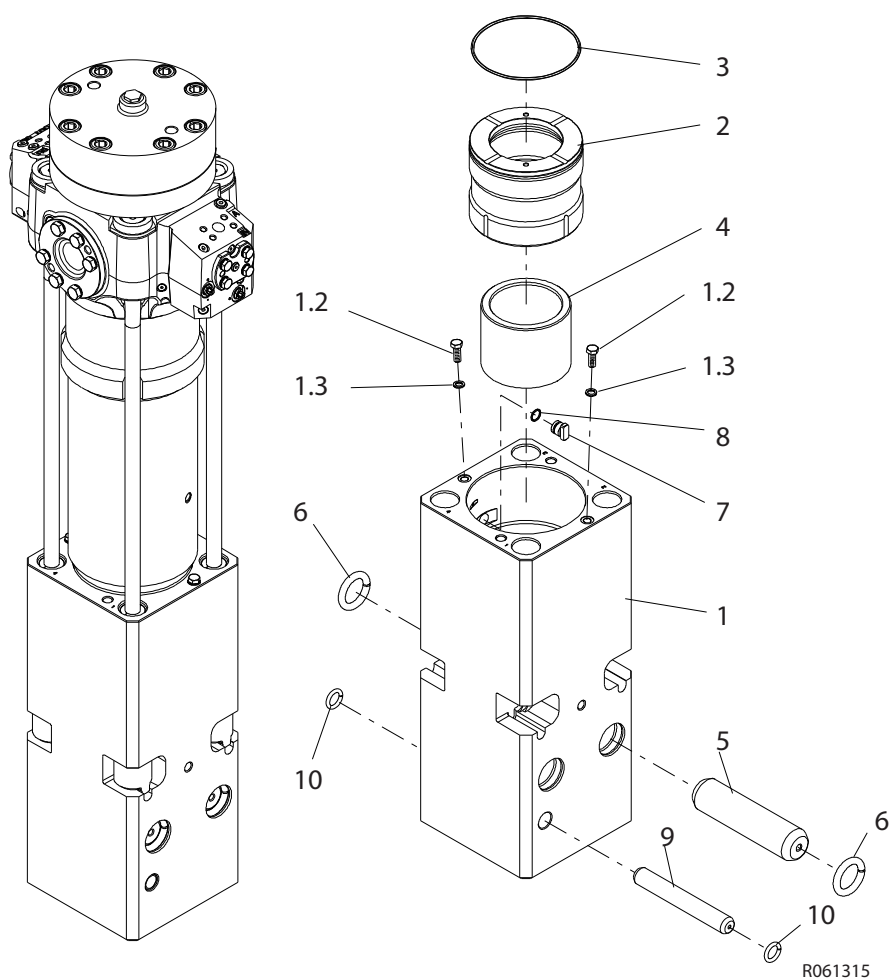


BODY PARTS

Item	Description	Part no.	Specification	Note	Qty
1	Valve body (incl. parts 1.2-1.5)	79015			1
1.2	Flange plug	79016	R1		1
1.3	Flange plug	76847	R3/8		6
1.4	Flange plug	76969	R1/4		6
1.5	Nozzle	78716			1
2	Cylinder	79017			1
3	Piston	79018			1
4	Seal carrier (incl. parts 4.2-4.4)	79019			1
4.2	Breather (incl. part 4.22)	78720			1
4.22	O-ring	78721	D27	*	1
4.3	Plug	78722			1
5	Wiper	79020	D142	*	1
6	Seal	79021		*	1
7	Seal	79022		*	1
8	Wiper	79023	D160	*	1
9	Seal	79024		*	1
10	Seal	79025		*	1
11	O-ring	79026	D269	*	2
12	Supporting ring	79027	D280	*	2
13	O-ring	79028	D154	*	1
14	O-ring	78730	D17	*	6
15	Parallel pin	78731	16m6x50 ISO 8734		2
16	O-ring	79029	D259	*	3
	*) Are included in seal set				

FRONT HEAD

FRONT HEAD

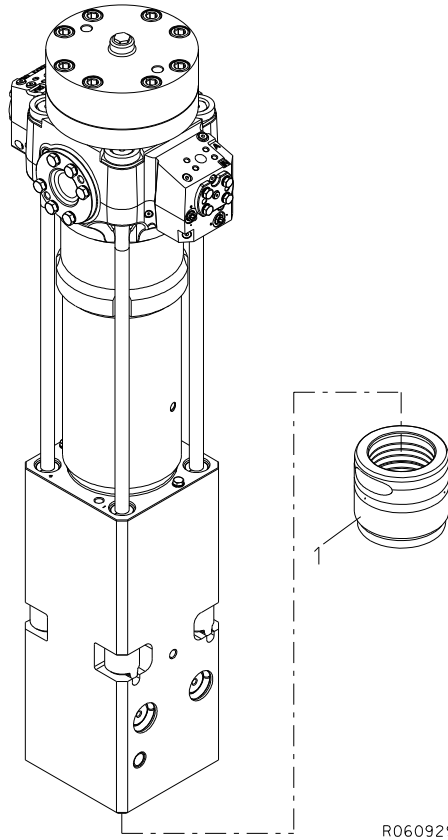


R061315

Item	Description	Part no.	Specification	Note	Qty
1	Front head (incl. parts 1.2-1.3)	79030			1
1.2	Hex. screw	78735	M16x40-12.9 ISO 4017		2
1.3	Lock washer	76852	M16 NORD-LOCK		2
2	Thrust ring	79031			1
3	O-ring	79032	D239	*	1
4	Upper tool bushing	79033			1
5	Tool retaining pin	79034			2
6	Ring	79035			4
7	Wedge	78739			1
8	O-ring	76838	D24	*	1
9	Retaining pin	79036			1
10	Rubber ring	79037			2
	*) Are included in seal set				

LOWER TOOL BUSHING

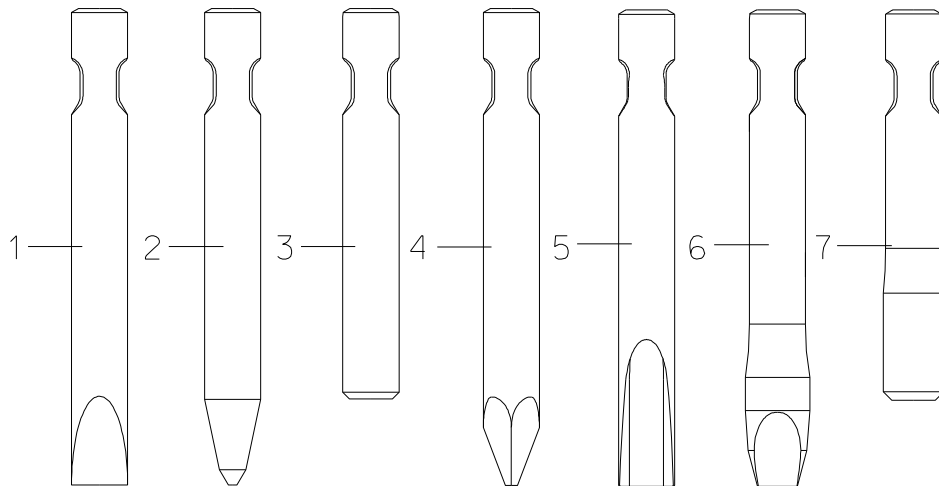
LOWER TOOL BUSHING



Item	Description	Part no.	Specification	Note	Qty
1	Lower tool bushing	79038			1

TOOL

TOOL



R060936

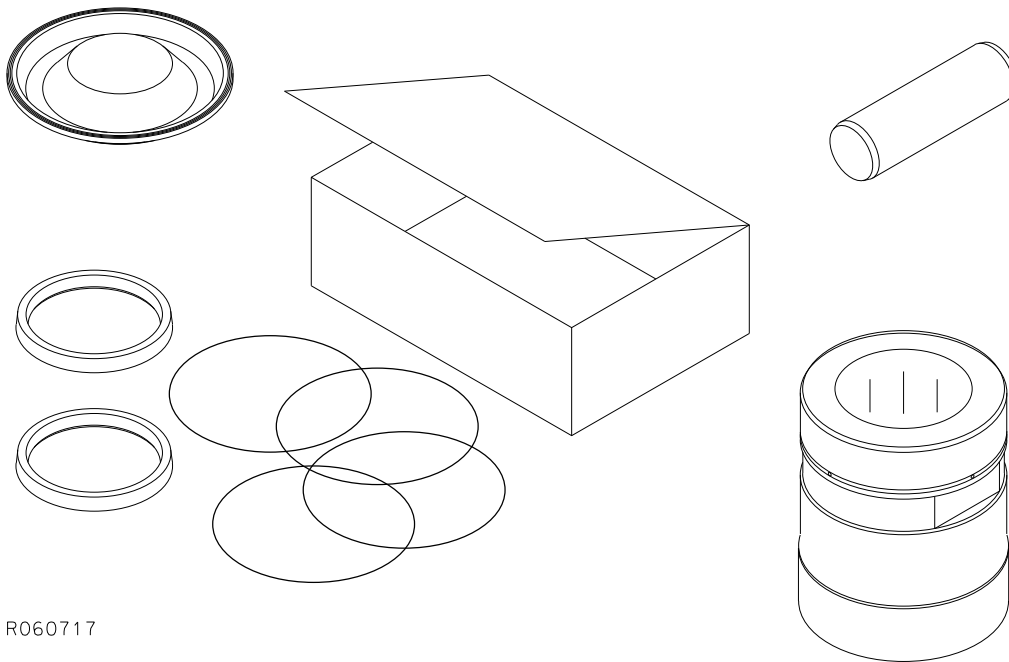
Item	Description	Part no.	Specification	Note	Qty
1	Chisel	79039	L = 1450 mm, W = 226 kg, D = 166 mm		1
2	Moil point	79040	L = 1450 mm, W = 217 kg, D = 166 mm		1
3	Blunt	79041	L = 1265 mm, W = 208 kg, D = 166 mm		1
4	Pyramid	79042	L = 1450 mm, W = 226 kg, D = 166 mm		1
5	Hard Rock Chisel	79043	L = 1450 mm, W = 226 kg, D = 166 mm		1
6	Limestone Chisel	79044	L = 1450 mm, W = 234 kg, D = 166 mm		1
7	Super Blunt	79045	L = 1265 mm, W = 218 kg, D = 174 mm		1

SEAL SET

Item	Description	Part no.	Specification	Note	Qty
Kit	Seal set (incl. parts 1-31)	79046			1
1	O-ring	76939	D46		1
2	O-ring	76940	D44		1
3	O-ring	78751	D9		6
4	Seal	78793	D125		6
5	O-ring	76836	D120		2
6	Seal	78707	D13		2
7	O-ring	78708	D20		2
8	O-ring	79004	D75		1
9	Seal	78067	D55		1
10	Seal	79010	D65		1
11	O-ring	79011	D26		1
12	O-ring	76844	D23		1
13	Usit-ring	76846	8-13.9-1		1
14	Seal	78786			1
15	O-ring	78648	D229		1
16	O-ring	78721	D27		1
17	Wiper	79020	D142		1
18	Seal	79021			1
19	Seal	79022			1
20	Wiper	79023	D160		1
21	Seal	79024			1
22	Seal	79025			1
23	O-ring	79026	D269		2
24	Supporting ring	79027	D280		2
25	O-ring	79028	D154		1
26	O-ring	78730	D17		6
27	O-ring	79032	D239		1
28	O-ring	76838	D24		1
29	O-ring	79029	D259		3
30	O-ring	76941	D34		1
31	Seal	76942	D34		1
	The seals for greasing device are not included in this seal set. They are included in the service kit for greasing device.				

SERVICE KIT

SERVICE KIT

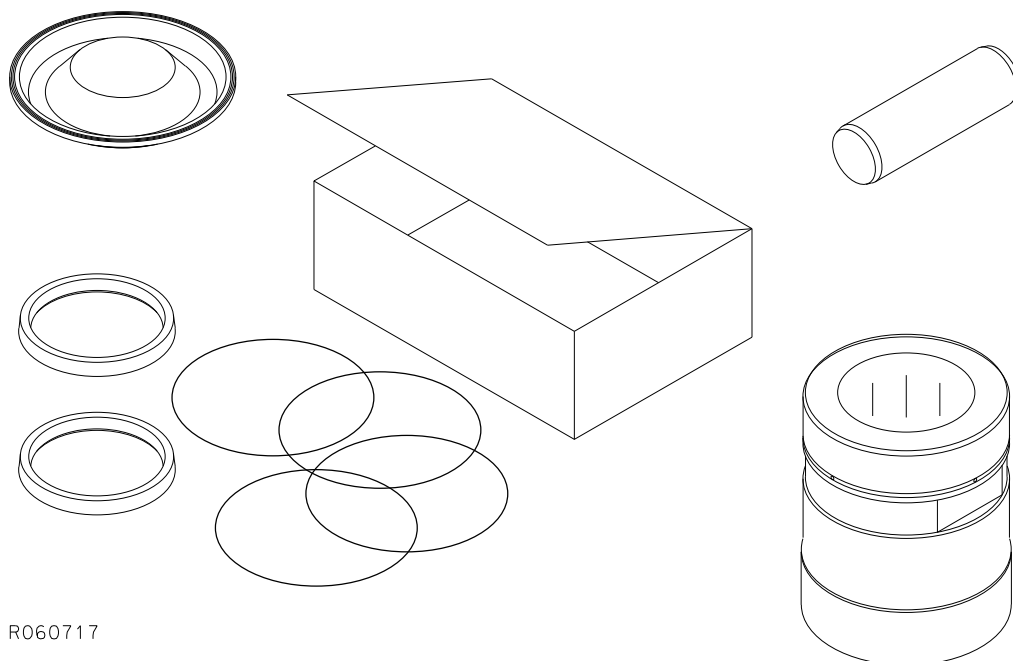


R060717

Item	Description	Part no.	Specification	Note	Qty
Kit	Service kit (incl. parts 1 - 4)	79047			1
1	Membrane	78783			1
2	Tool retaining pin	79034			2
3	Lower tool bushing	79038			1
4	Seal set	79046			1

SERVICE KIT 2A

SERVICE KIT 2A

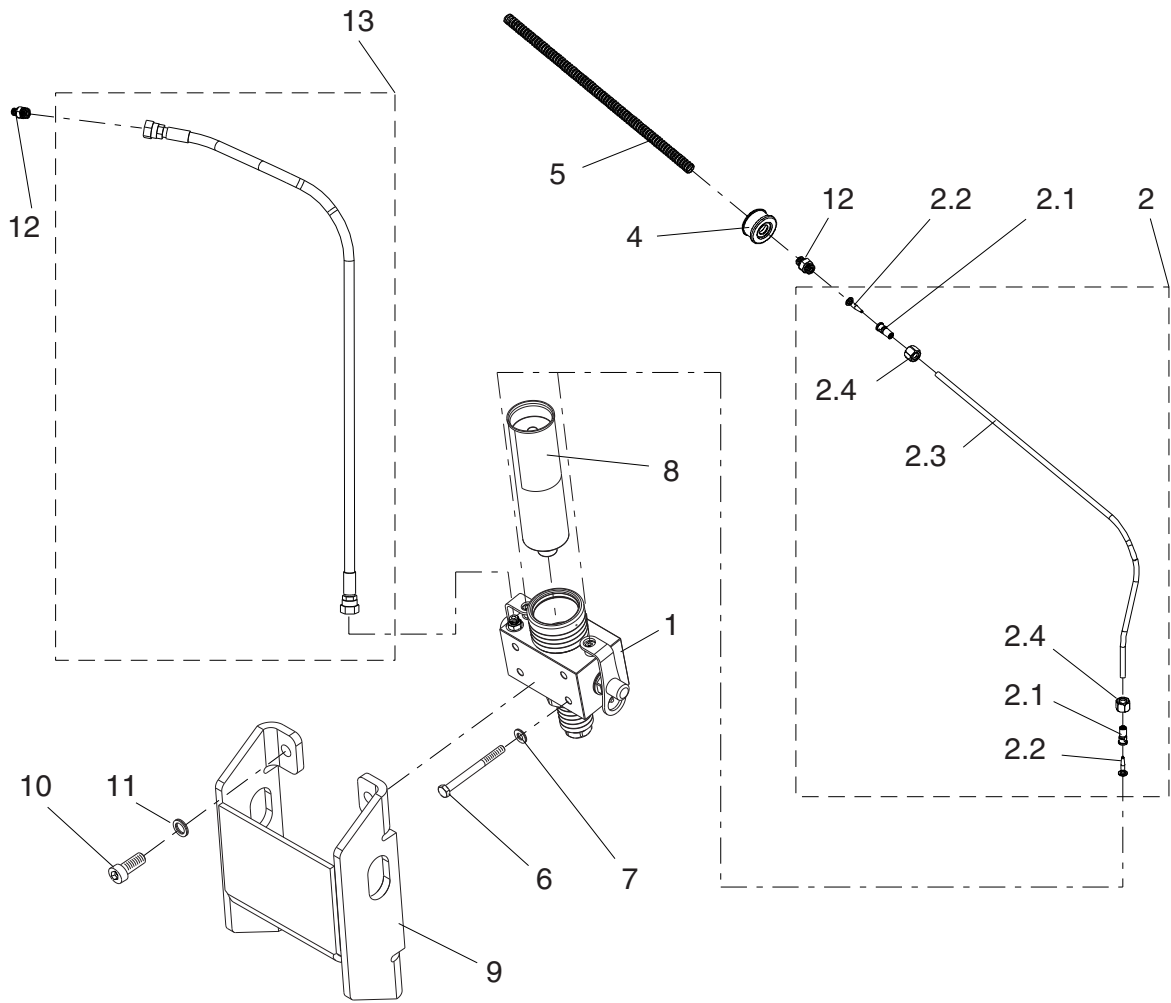


R060717

Item	Description	Part no.	Specification	Note	Qty
Kit	Service kit (incl. parts 1 - 4)	79048			1
1	Pad	78767			2
2	Buffer	78768			1
3	Wear plate	78774			4
4	Upper tool bushing	79033			1

GREASING DEVICE KIT

GREASING DEVICE KIT



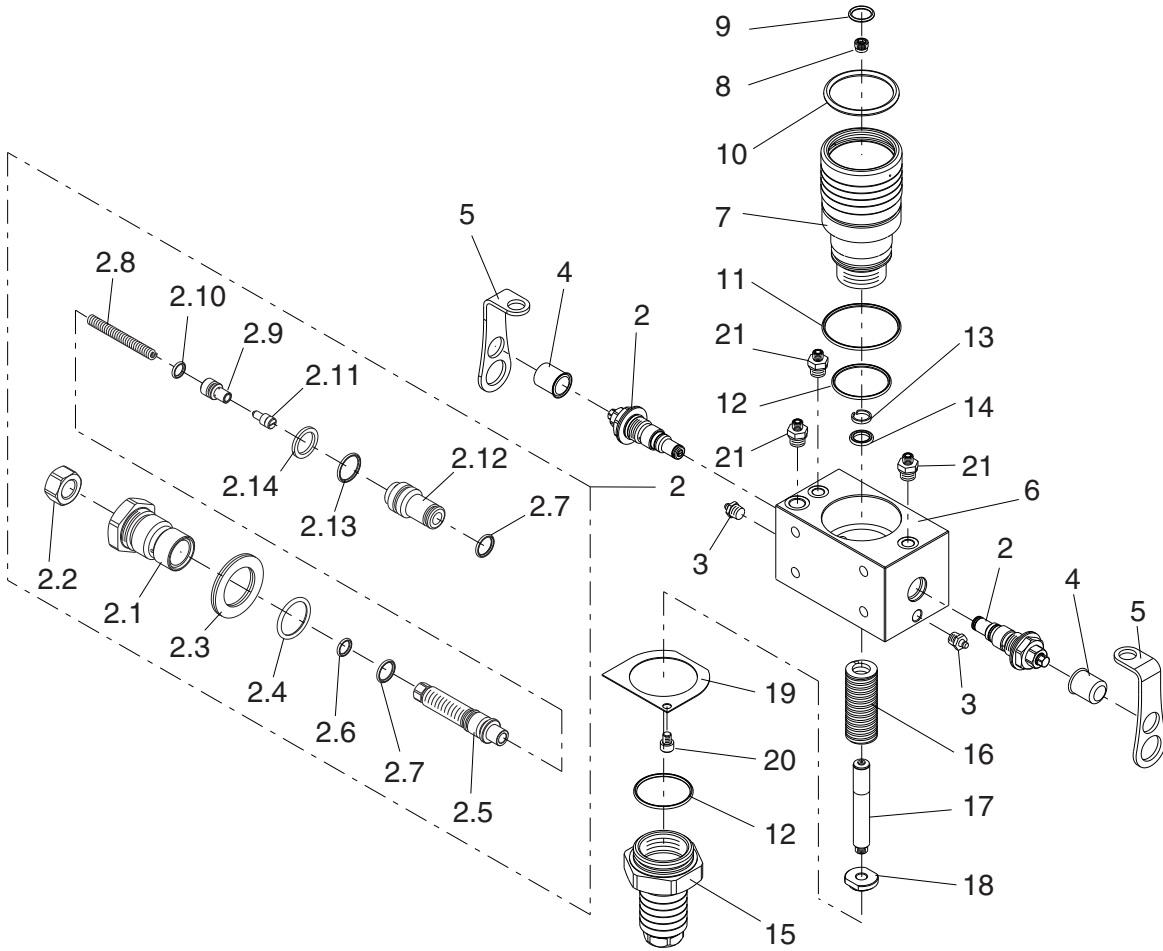
R061352

GREASING DEVICE KIT

Item	Description	Part no.	Specification	Note	Qty
kit	Greasing device retrofit kit (incl. parts 1-12)	79049			1
1	Greasing device RG542	78761			1
2	Hose assembly (incl. parts 2.1-2.4)	78756			2
2.1	Sleeve	77707			2
2.2	Insert	77708			2
2.3	Hose	78757			1
2.4	Nut	77710			2
4	Rubber bushing	77722			1
5	Shield	77723			1
6	Hex. screw	77724	M10x110-8.8 ISO 4014		4
7	Lock washer	77725	M10 NL10sp NORD-LOCK		4
8	Grease cartridge	77726	Special tool grease, Greasing device cartridge. Greasing device cartridges are also sold in boxes of 24.		1
9	Shield	78762			1
10	Hex. socket screw	77728	M16x35-8.8 ISO 4762		4
11	Lock washer	76852	M16 NORD-LOCK		4
12	Connector	77711	BSPP 3/8		3
13	Hose assembly	79050			1

GREASING DEVICE

GREASING DEVICE



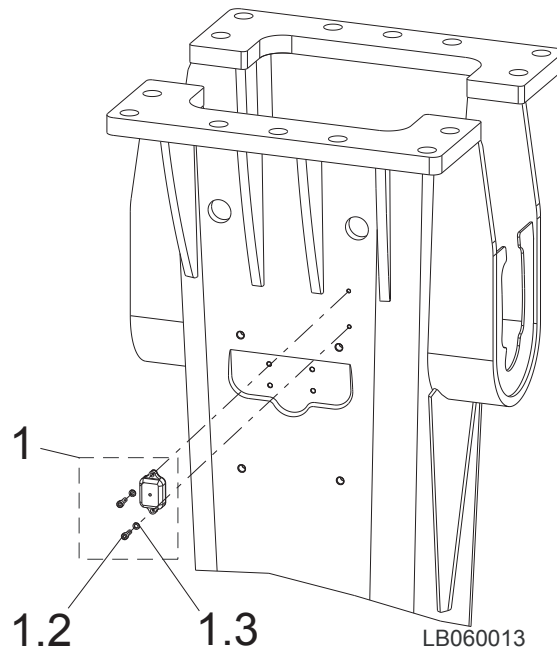
R061088

GREASING DEVICE

Item	Description	Part no.	Specification	Note	Qty
1	Greasing device RG542 (incl. parts 2-20)	78761			1
2	Dozer (incl. parts 2.1-2.14)	77730			2
2.1	Plug	77731			1
2.2	Nut	77732	M12x1 DIN 934		1
2.3	Lock washer	76854	M24 NORD-LOCK	*	1
2.4	O-ring	77733	D21	*	1
2.5	Adjusting screw	77734			1
2.6	O-ring	77735	D8	*	1
2.7	O-ring	77736	D11	*	2
2.8	Spring	77737		*	1
2.9	Piston	77738			1
2.10	O-ring	77739	D7	*	1
2.11	Piston	77740		*	1
2.12	Body	77741			1
2.13	O-ring	77742	D15	*	1
2.14	Shim plate	77743		*	1
3	Grease zerk	77714	BSP 1/4	*	2
4	Plug	77744		*	2
5	Locking plate	77745			2
6	Body	78763			1
7	Cartridge holder	78764			1
8	Check valve	77748			1
9	O-ring	77749	D19	*	1
10	O-ring	77750	D62	*	1
11	O-ring	77751	D71	*	1
12	O-ring	77752	D52	*	2
13	Guide ring	77753		*	1
14	Seal	77754		*	1
15	Spring housing	77755			1
16	Spring	77756			1
17	Piston	77757			1
18	Nut	77758			1
19	Lock plate	77759		*	1
20	Hex. socket screw	77760	M8x10-8.8 ISO 4762	*	1
21	Connector	77712	BSPP 1/4		3
kit	Seal set for greasing device	77761			1
	*) Are included in seal set for greasing device				

SDC SERVICE INDICATOR

SDC SERVICE INDICATOR



Item	Description	Part no.	Specification	Note	Qty
1	SDC service indicator (incl. parts 1.2-1.3)	77762			1
1.2	Hex. socket screw	79177	M8x25- 8.8 ISO 4762		2
1.3	Lock washer	79178	M8 NORD-LOCK		2



LaBounty
1538 Highway 2
Two Harbors, Minnesota 55616-8015 USA
Phone: (218) 834-2123
Fax: (218) 834-3879