



Original instructions

ENG

9/17

LaBounty

LMB8055

HYDRAULIC BREAKER
Parts manual



Part Number: **PMLMB8055XENG.917**

TABLE OF CONTENTS

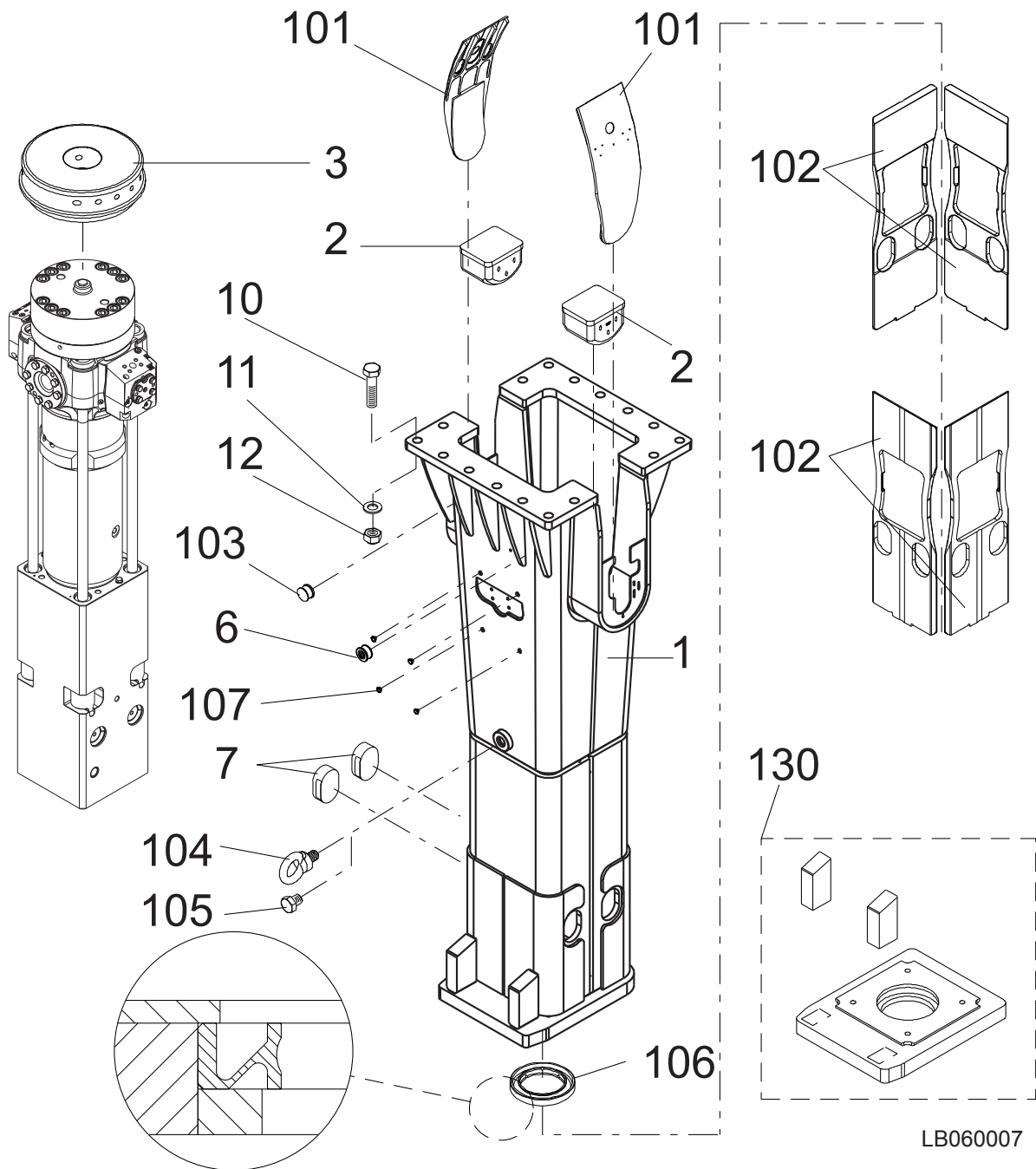
Housing unit	4
Accumulator	6
Main valve	7
Restrictor valve	8
Pressure control valve	9
Idle selector	11
Stroke selector valve	12
Tie rods	13
Body parts	14
Front head	16
Lower tool bushing	17
Tool	18
Seal set	19
Service kit	21
Service kit 2A	22
Greasing device kit	23
Greasing device	25
SDC service indicator	27

•

PARTS

HOUSING UNIT

HOUSING UNIT



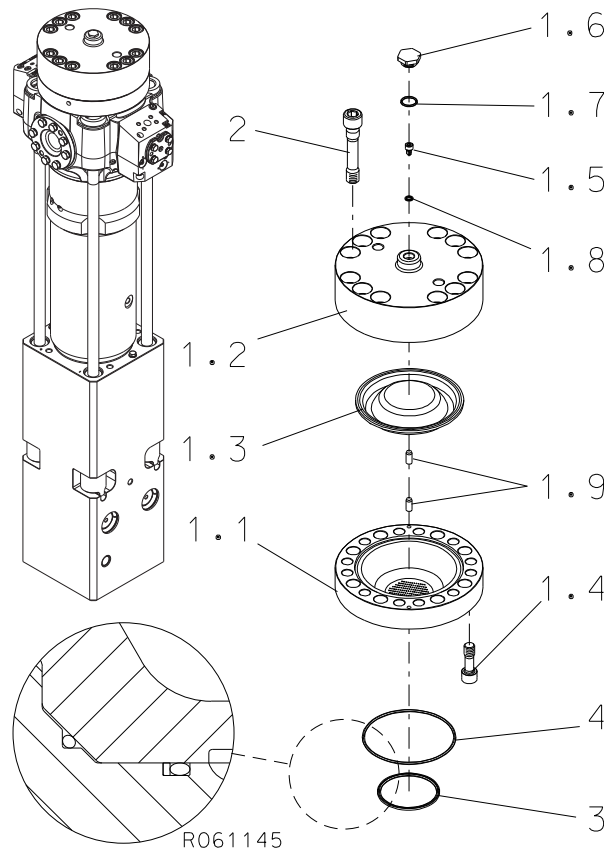
LB060007

HOUSING UNIT

Item	Description	Part no.	Specification	Note	Qty
1	Housing	79051			1
2	Pad	79052			2
3	Buffer	79053			1
6	Plug	77722			1
7	Plug	79054			2
10	Hex. screw	79055	M36x150-8.8 ISO 4014		16
11	Washer	78771	37 ISO 7416		16
12	Lock nut	78772	M36-8 DIN 985		16
101	Shield plate	79056			2
102	Wear plate	79057			4
103	Plug	78604			1
104	Lifting eye	79058	M42 DIN 580		1
105	Hex. screw	79059	M42x60-8.8 ISO 4017		1
106	Seal	79060			1
107	Plug	77716			4
130	Wear parts	79061			1
200	Label set (incl. part 200.1)	79062			1
200.1	Safety label set	76832	English		1

ACCUMULATOR

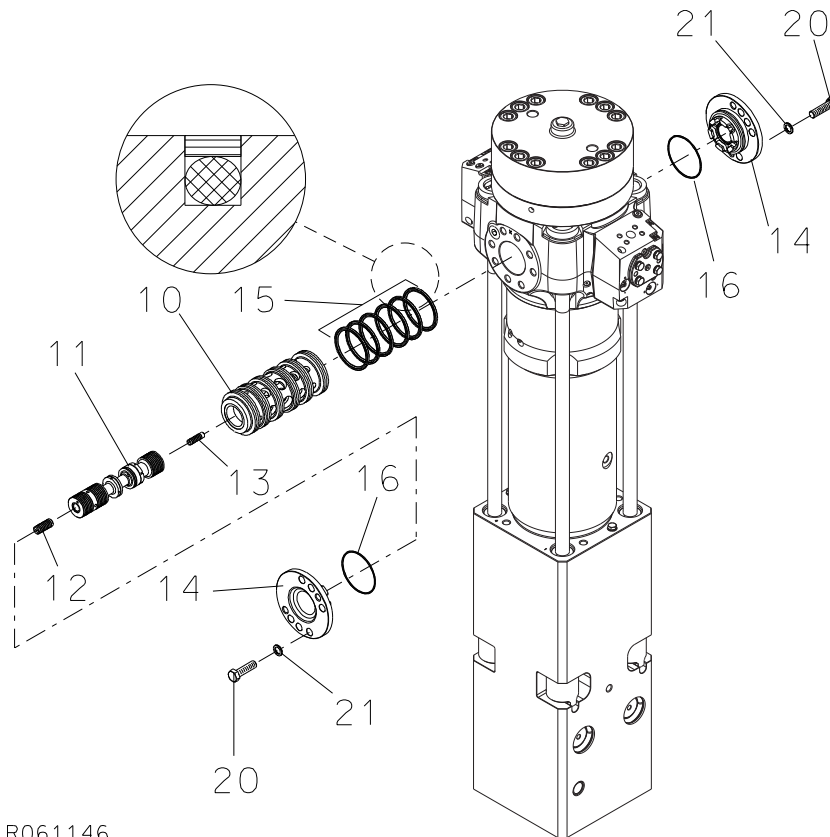
ACCUMULATOR



Item	Description	Part no.	Specification	Note	Qty
1	Accumulator (incl. parts 1.1-1.9)	79063			1
1.1	Accumulator bottom	79064			1
1.2	Accumulator cover	79065			1
1.3	Membrane	79066			1
1.4	Accumulator screw	79067			8
1.5	Filling plug	76921			1
1.6	Shield plug	76922			1
1.7	O-ring	76844	D23	*	1
1.8	Usit-ring	76846	8-13.9-1	*	1
1.9	Parallel pin	77781	10m6x24 ISO 8734		2
2	Accumulator screw	79068			12
3	Seal	79069		*	1
4	O-ring	79029	D259	*	1
	*) Are included in seal set				

MAIN VALVE

MAIN VALVE

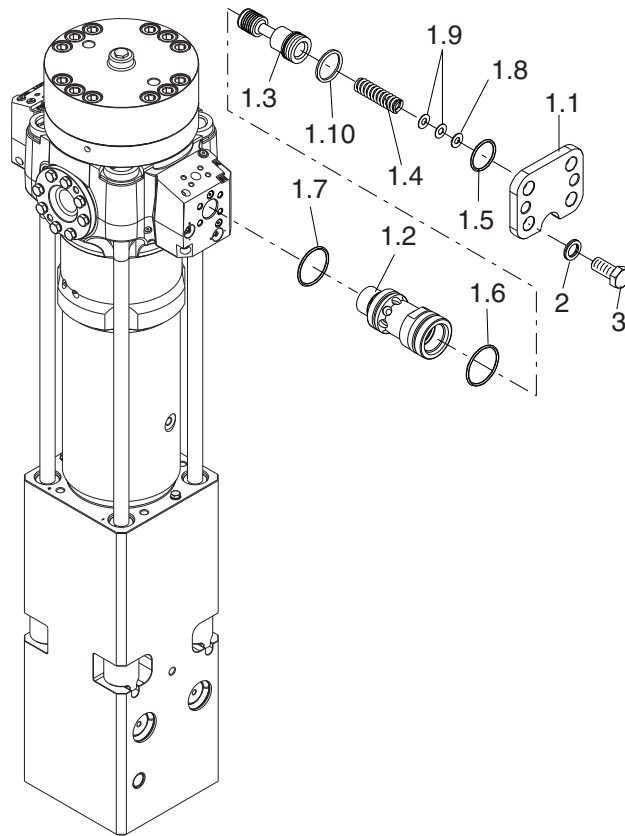


R061146

Item	Description	Part no.	Specification	Note	Qty
1	Main valve (incl. parts 10-14)	79070			1
10	Main valve bushing	79071			1
11	Main spool	79072			1
12	Spool	78790			1
13	Spool	78791			1
14	Cover	79073			2
15	Seal	79074		*	6
16	O-ring	79075	D135	*	2
20	Hex. screw	78794	M20x70-10.9 ISO 4014		16
21	Lock washer	76830	M20 NORD-LOCK		16
	*) Are included in seal set				

RESTRICTOR VALVE

RESTRICTOR VALVE

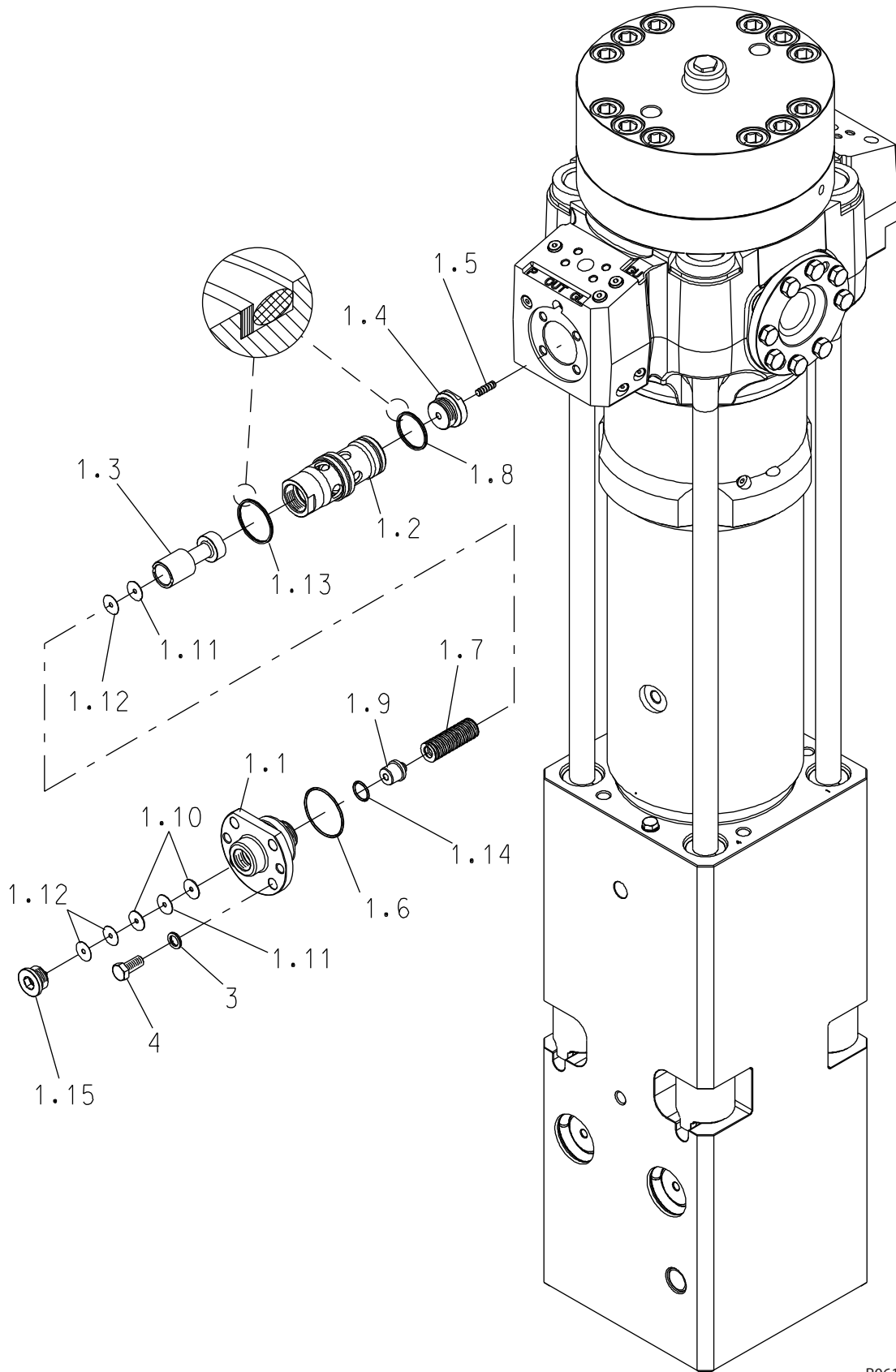


R061243

Item	Description	Part no.	Specification	Note	Qty
1	Restrictor valve (incl. parts 1.1-1.10)	79076			1
1.1	Cover	79077			1
1.2	Valve housing	79078			1
1.3	Spool	78697			1
1.4	Spring	78698			1
1.5	O-ring	79079	D37	*	1
1.6	O-ring	79080	D55	*	1
1.7	O-ring	79081	D50	*	1
1.8	Shim plate	78699	S=1		X
1.9	Shim plate	78700	S=0.5		X
1.10	Seal	76942	D34	*	1
2	Lock washer	76852	M16 NORD-LOCK		4
3	Hex. screw	79082	M16x45-8.8 ISO 4017		4
	*) Are included in seal set				

PRESSURE CONTROL VALVE

PRESSURE CONTROL VALVE



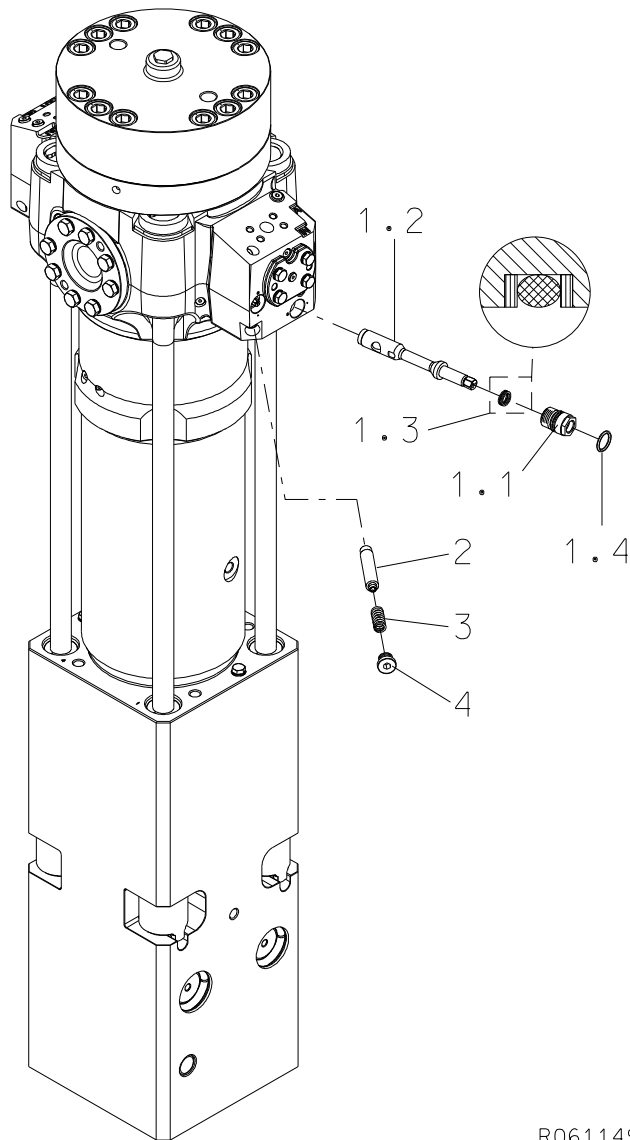
R061341

PRESSURE CONTROL VALVE

Item	Description	Part no.	Specification	Note	Qty
1	Pressure control valve (incl. parts 1.1-1.15)	79083			1
1.1	Cover	78798			1
1.2	Valve housing	78799			1
1.3	Spool	79084			1
1.4	Guide	79002			1
1.5	Spool	79003			1
1.6	O-ring	79004	D75	*	1
1.7	Spring	79005			1
1.8	Seal	78067	D55	*	1
1.9	Spring guide	79006			1
1.10	Shim plate	79007	S=0.75		X
1.11	Shim plate	79008	S=1		X
1.12	Shim plate	79009	S=0.5		X
1.13	Seal	79010	D65	*	1
1.14	O-ring	79011	D26	*	1
1.15	Plug	79012			1
3	Lock washer	76852	M16 NORD-LOCK		4
4	Hex. screw	79082	M16x45-8.8 ISO 4017		4
	*) Are included in seal set				

IDLE SELECTOR

IDLE SELECTOR

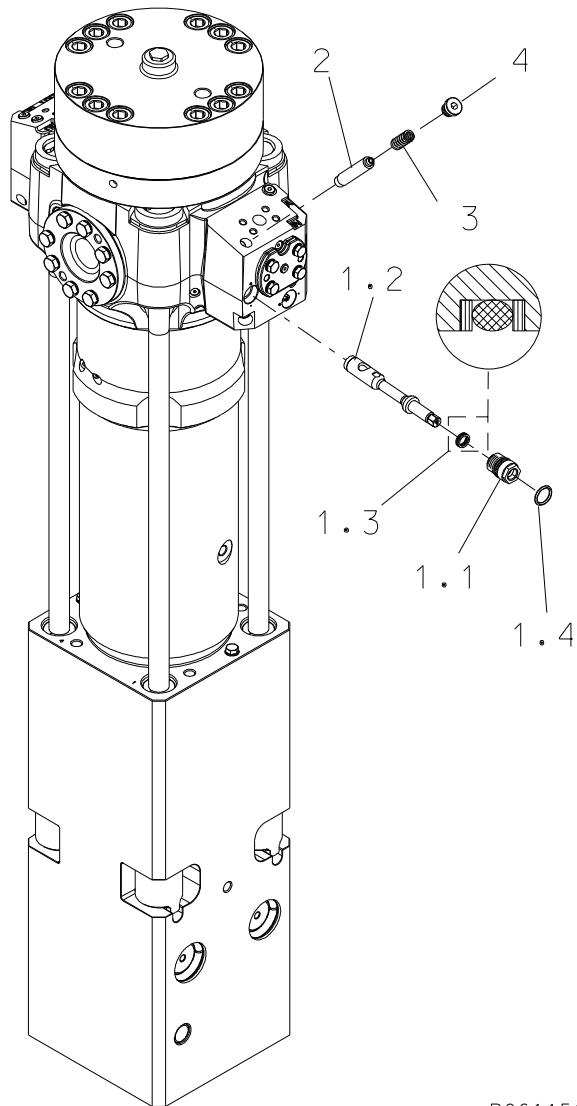


R061149

Item	Description	Part no.	Specification	Note	Qty
1	Valve (incl. parts 1.1-1.4)	78704			1
1.1	Cover	78705			1
1.2	Spool	78706			1
1.3	Seal	78707	D13	*	1
1.4	O-ring	78708	D20	*	1
2	Pin	79013			1
3	Spring	78710	Danly 9-1006-11		1
4	Flange plug	76847	BSP 3/8		1
	*) Are included in seal set				

STROKE SELECTOR VALVE

STROKE SELECTOR VALVE

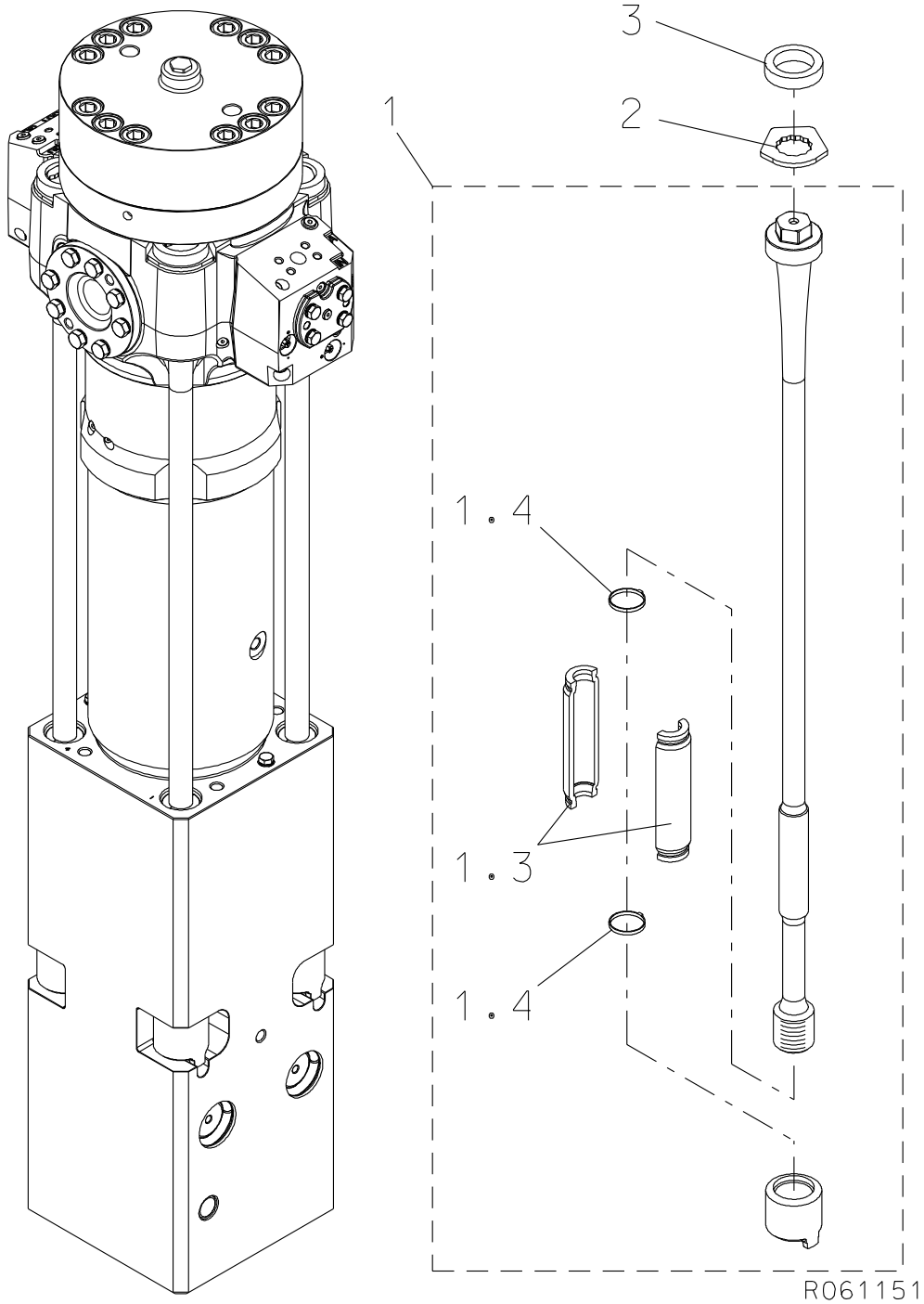


R061150

Item	Description	Part no.	Specification	Note	Qty
1	Valve (incl. parts 1.1-1.4)	78704			1
1.1	Cover	78705			1
1.2	Spool	78706			1
1.3	Seal	78707	D13	*	1
1.4	O-ring	78708	D20	*	1
2	Pin	79013			1
3	Spring	78710	Danly 9-1006-11		1
4	Flange plug	76847	BSP 3/8		1
	*) Are included in seal set				

TIE RODS

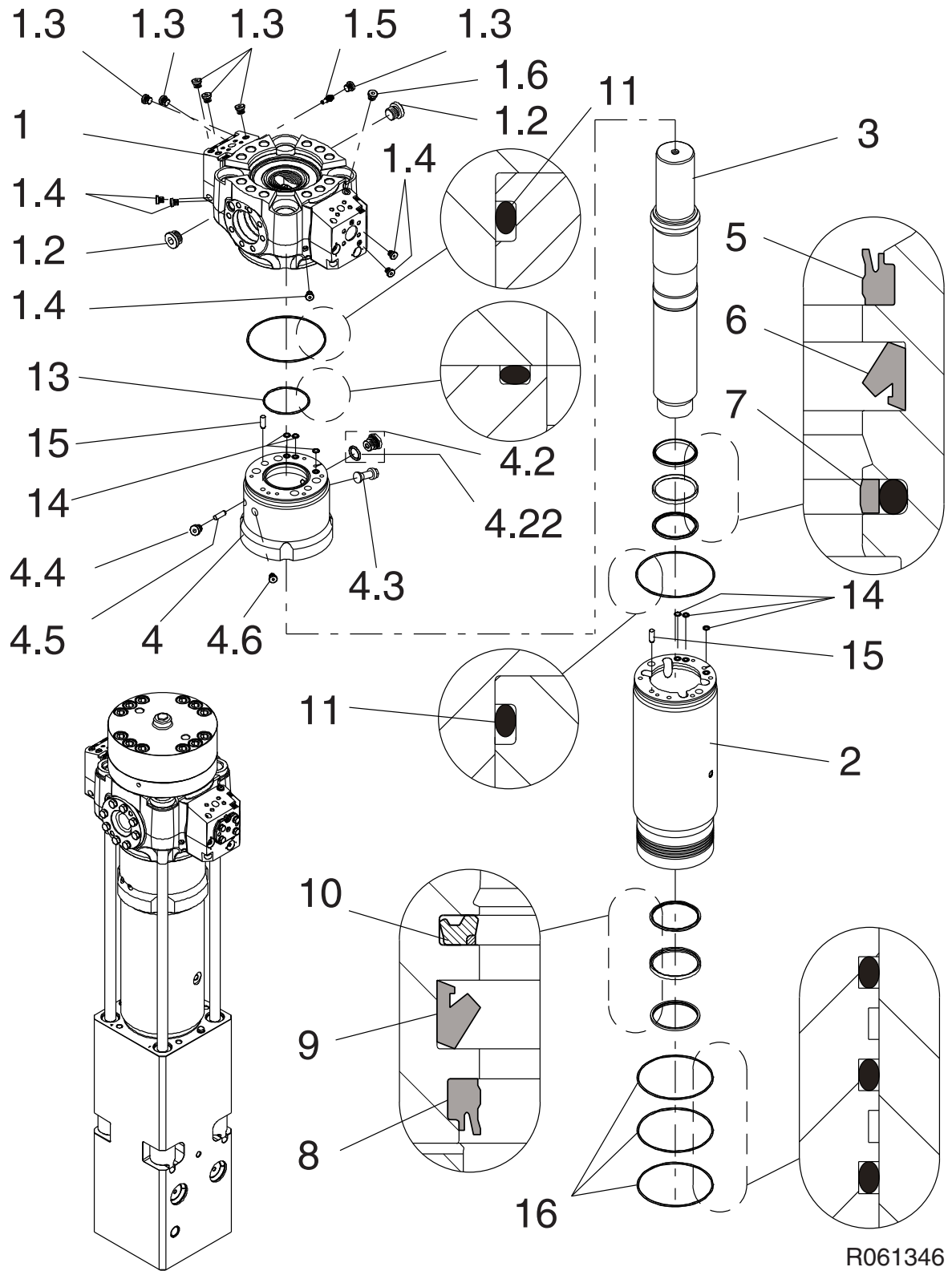
TIE RODS



Item	Description	Part no.	Specification	Note	Qty
1	Tie rod (incl. parts 1.3-1.4)	79085			4
1.3	Vibration dampening element	79086			2
1.4	Cable tie	76962			2
2	Lock plate	79087			4
3	Rubber ring	79088			4

BODY PARTS

BODY PARTS

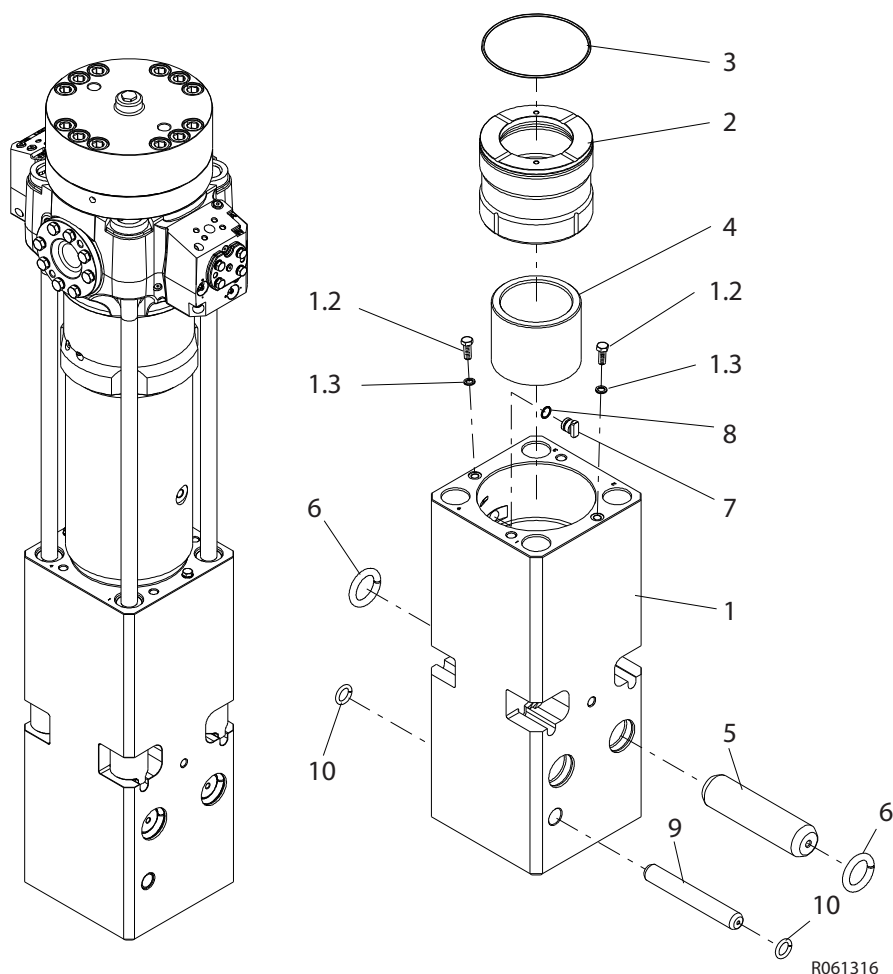


BODY PARTS

Item	Description	Part no.	Specification	Note	Qty
1	Valve body (incl. parts 1.2-1.6)	79089			1
1.2	Flange plug	79016	R1		2
1.3	Flange plug	76847	R3/8		6
1.4	Flange plug	76969	R1/4		5
1.5	Nozzle	78716			1
1.6	Breather	76971			1
2	Cylinder	79090			1
3	Piston	79091			1
4	Seal carrier (incl. parts 4.2-4.6)	79092			1
4.2	Breather (incl. part 4.22)	78720			1
4.22	O-ring	78721	D27	*	1
4.3	Plug	78722			1
4.4	Flange plug	76847	R3/8		1
4.5	Nozzle	79093			1
4.6	Flange plug	76970	R1/8		1
5	Wiper	79023		*	1
6	Seal	79024		*	1
7	Seal	79094		*	1
8	Wiper	79095		*	1
9	Seal	79096		*	1
10	Seal	79097		*	1
11	O-ring	79098	D299	*	2
13	O-ring	79099	D174	*	1
14	O-ring	78730		*	6
15	Parallel pin	78638	16m6x70 ISO 8734		2
16	O-ring	79100	D289	*	3
	*) Are included in seal set				

FRONT HEAD

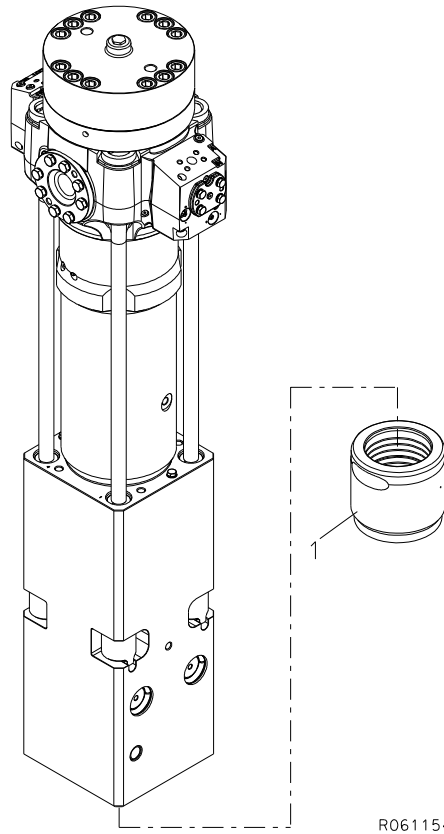
FRONT HEAD



Item	Description	Part no.	Specification	Note	Qty
1	Front head (incl. parts 1.2-1.3)	79101			1
1.2	Hex. socket screw	78735	M16x40-12.9 ISO 4017		2
1.3	Lock washer	79102	M16 NORD-LOCK		2
2	Thrust ring	79103			1
3	O-ring	79104	D270	*	1
4	Upper tool bushing	79105			1
5	Tool retaining pin	79106			2
6	Ring	79107			4
7	Wedge	78739			1
8	O-ring	76838	D24	*	1
9	Retaining pin	79108			1
10	Rubber ring	79109			2
	*) Are included in seal set				

LOWER TOOL BUSHING

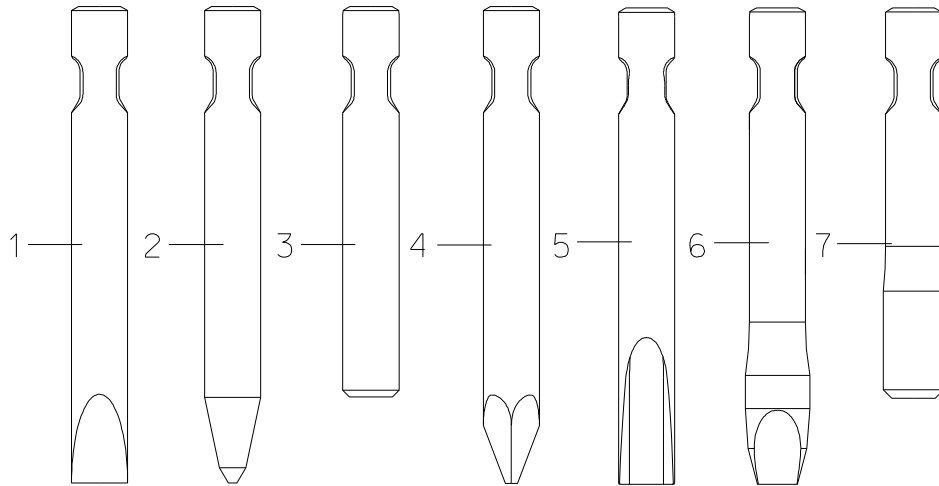
LOWER TOOL BUSHING



Item	Description	Part no.	Specification	Note	Qty
1	Lower tool bushing	79110			1

TOOL

TOOL



R061155

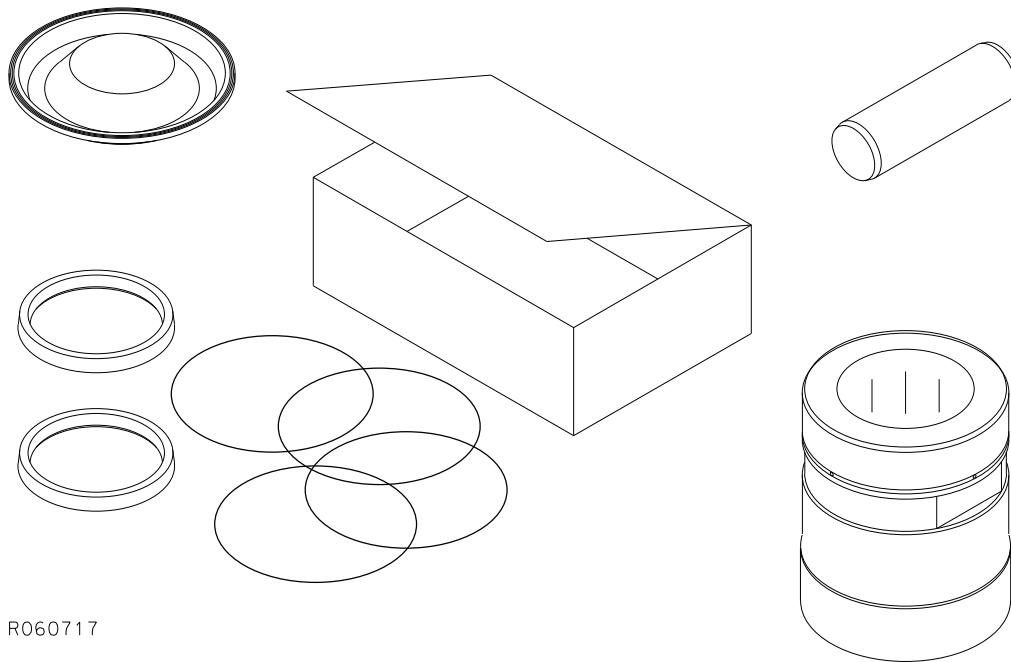
Item	Description	Part no.	Specification	Note	Qty
1	Chisel	79111	L = 1550 mm, W = 303 kg, D = 190 mm		1
2	Moil point	79112	L = 1550 mm, W = 297 kg, D = 190 mm		1
3	Blunt	79113	L = 1400 mm, W = 293 kg, D = 190 mm		1
4	Pyramid	79114	L = 1550 mm, W = 295 kg, D = 190 mm		1
5	Hard Rock Chisel	79115	L = 1550 mm, W = 289 kg, D = 190 mm		1
6	Limestone Chisel	79116	L = 1550 mm, W = 313 kg, D = 190 mm		1
7	Super Blunt	79117	L = 1400 mm, W = 308 kg, D = 197 mm		1

SEAL SET

Item	Description	Part no.	Specification	Note	Qty
Kit	Seal set (incl. parts 1-29)	79118			1
1	O-ring	79080	D55		1
2	O-ring	79081	D50		1
3	Seal	78707	D13		2
4	O-ring	78708	D20		2
5	O-ring	76844	D23		1
6	Usit-ring	76846	8-13.9-1		1
7	Seal	79069			1
8	O-ring	79029	D259		1
9	Seal	79074			6
10	O-ring	79075	D135		2
11	O-ring	79004	D75		1
12	Seal	78067	D55		1
13	Seal	79010	D65		1
14	O-ring	79011	D26		1
15	O-ring	78721	D27		1
16	Wiper	79023			1
17	Seal	79024			1
18	Seal	79094			1
19	Wiper	79095			1
20	Seal	79096			1
21	Seal	79097			1
22	O-ring	79098	D299		2
23	O-ring	79099	D174		1
24	O-ring	78730			6
25	O-ring	79100	D289		3
26	O-ring	79104	D270		1
27	O-ring	76838	D24		1
28	O-ring	79079	D37		1
29	Seal	76942	D34		1
	The seals for the greasing device are not included in this seal set. They are included in the service kit for the greasing device.				

SERVICE KIT

SERVICE KIT

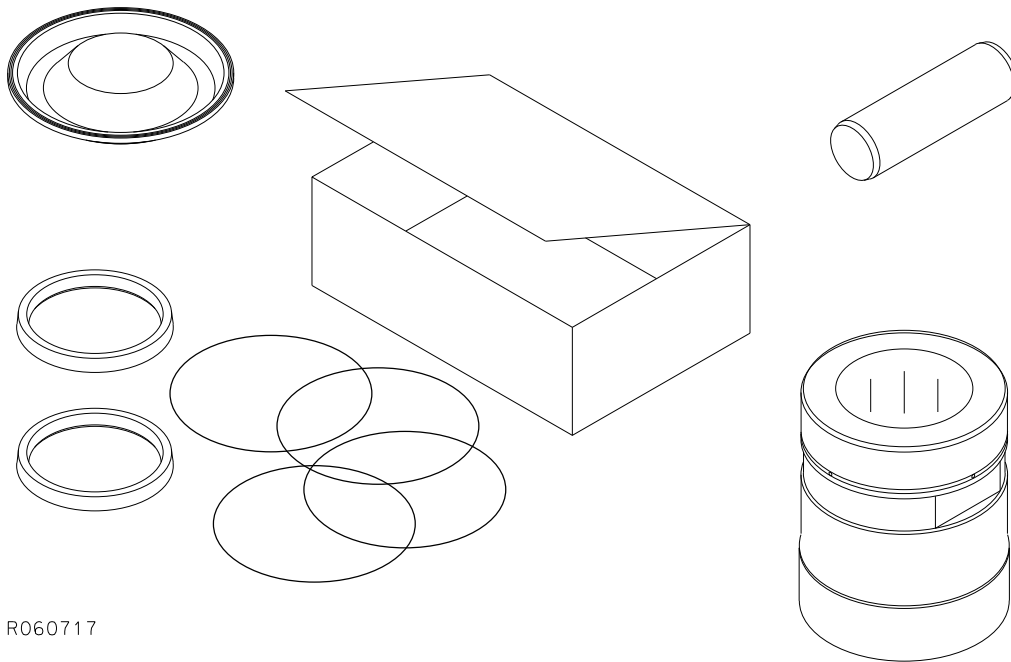


R060717

Item	Description	Part no.	Specification	Note	Qty
Kit	Service kit (incl. parts 1 - 4)	79119			1
1	Membrane	79066			1
2	Tool retaining pin	79106			2
3	Lower tool bushing	79110			1
4	Seal set	79118			1

SERVICE KIT 2A

SERVICE KIT 2A

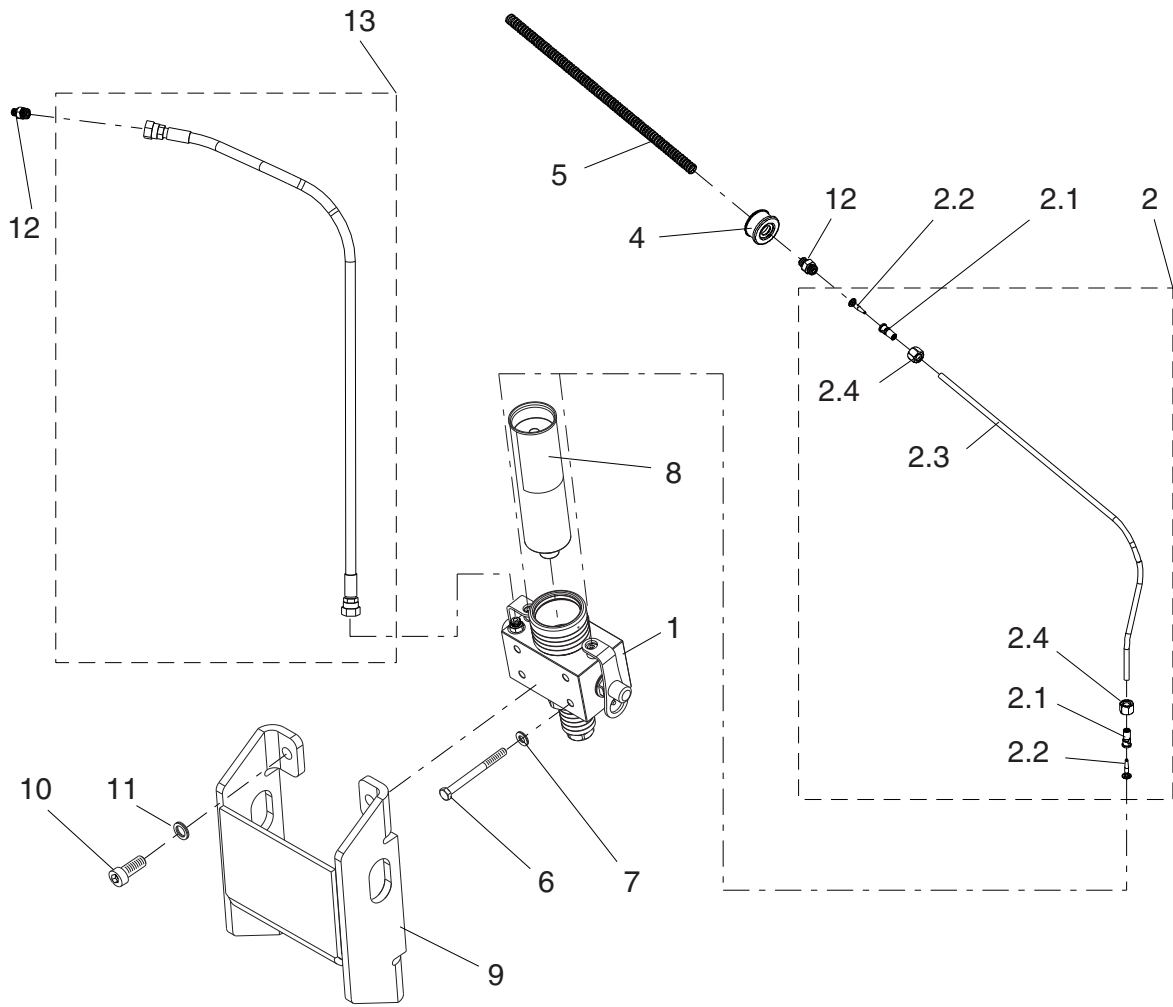


R060717

Item	Description	Part no.	Specification	Note	Qty
Kit	Service kit (incl. parts 1 - 4)	79121			1
1	Pad	79052			2
2	Buffer	79053			1
3	Wear plate	79057			4
4	Upper tool bushing	79105			1

GREASING DEVICE KIT

GREASING DEVICE KIT



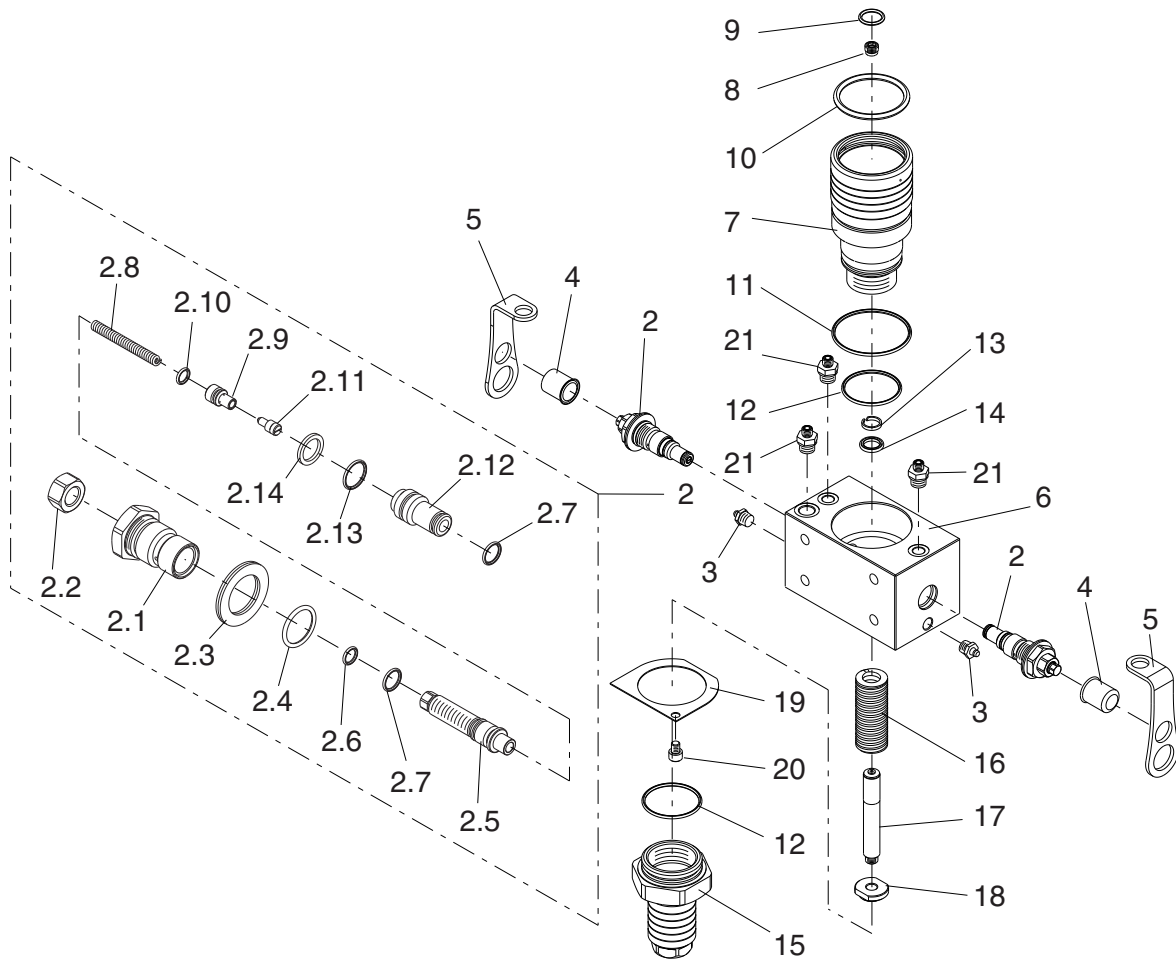
R061353

GREASING DEVICE KIT

Item	Description	Part no.	Specification	Note	Qty
kit	Greasing device retrofit kit (incl. parts 1-12)	79122			1
1	Greasing device RG542	78761			1
2	Hose assembly (incl. parts 2.1-2.4)	79123			2
2.1	Sleeve	77707			2
2.2	Insert	77708			2
2.3	Hose	79124			1
2.4	Nut	77710			2
4	Rubber bushing	77722			1
5	Shield	77723			1
6	Hex. screw	77724	M10x110-8.8 ISO 4014		4
7	Lock washer	77725	M10 NL10sp NORD-LOCK		4
8	Grease cartridge	77726	Special tool grease, Greasing device cartridge. Greasing device cartridges are also sold in boxes of 24.		1
9	Shield	78762			1
10	Hex. socket screw	77728	M16x35-8.8 ISO 4762		4
11	Lock washer	76852	M16 NORD-LOCK		4
12	Connector	77711	BSPP 3/8		3
13	Hose assembly	79125			1

GREASING DEVICE

GREASING DEVICE



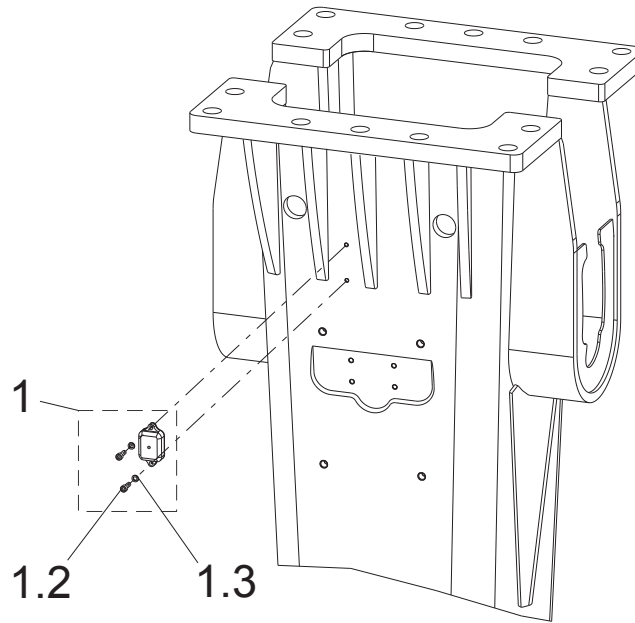
R061156

GREASING DEVICE

Item	Description	Part no.	Specification	Note	Qty
1	Greasing device RG542 (incl. parts 2-20)	78761			1
2	Dozer (incl. parts 2.1-2.14)	77730			2
2.1	Plug	77731			1
2.2	Nut	77732	M12x1 DIN 934		1
2.3	Lock washer	76854	M24 NORD-LOCK	*	1
2.4	O-ring	77733	D21	*	1
2.5	Adjusting screw	77734			1
2.6	O-ring	77735	D8	*	1
2.7	O-ring	77736	D11	*	2
2.8	Spring	77737		*	1
2.9	Piston	77738			1
2.10	O-ring	77739	D7	*	1
2.11	Piston	77740		*	1
2.12	Body	77741			1
2.13	O-ring	77742	D15	*	1
2.14	Shim plate	77743		*	1
3	Grease zerk	77714	BSP 1/4	*	2
4	Plug	77744		*	2
5	Locking plate	77745			2
6	Body	78763			1
7	Cartridge holder	78764			1
8	Check valve	77748			1
9	O-ring	77749	D19	*	1
10	O-ring	77750	D62	*	1
11	O-ring	77751	D71	*	1
12	O-ring	77752	D52	*	2
13	Guide ring	77753		*	1
14	Seal	77754		*	1
15	Spring housing	77755			1
16	Spring	77756			1
17	Piston	77757			1
18	Nut	77758			1
19	Lock plate	77759		*	1
20	Hex. socket screw	77760	M8x10-8.8 ISO 4762	*	1
21	Connector	77712	BSPP 1/4		3
kit	Seal set for greasing device	77761			1
	*) Are included in seal set for greasing device				

SDC SERVICE INDICATOR

SDC SERVICE INDICATOR



LB060014

Item	Description	Part no.	Specification	Note	Qty
1	SDC service indicator (incl. parts 1.2-1.3)	77762			1
1.2	Hex. socket screw	79177	M8x25- 8.8 ISO 4762		2
1.3	Lock washer	79178	M8 NORD-LOCK		2



LaBounty
1538 Highway 2
Two Harbors, Minnesota 55616-8015 USA
Phone: (218) 834-2123
Fax: (218) 834-3879