



Original instructions

ENG

9/18

# LaBounty

# LMB9580

**HYDRAULIC BREAKER**  
**Parts manual**



Part Number: **PMLMB9580XENG.918**

# TABLE OF CONTENTS

Housing unit . . . . .	4
Main valve . . . . .	6
Accumulator . . . . .	7
restrictor valve . . . . .	8
Pressure control valve . . . . .	9
Idle selector . . . . .	11
Stroke selector valve . . . . .	12
Tie rods . . . . .	13
Body parts . . . . .	14
Front head . . . . .	16
Lower tool bushing . . . . .	17
Tool . . . . .	18
Seal set . . . . .	19
Service kit . . . . .	21
Greasing block for manual greasing . . . . .	22
Greasing device kit . . . . .	23
Greasing device . . . . .	25
Service kit for greasing device RG540 series . . . . .	27
SDC service indicator . . . . .	29

---

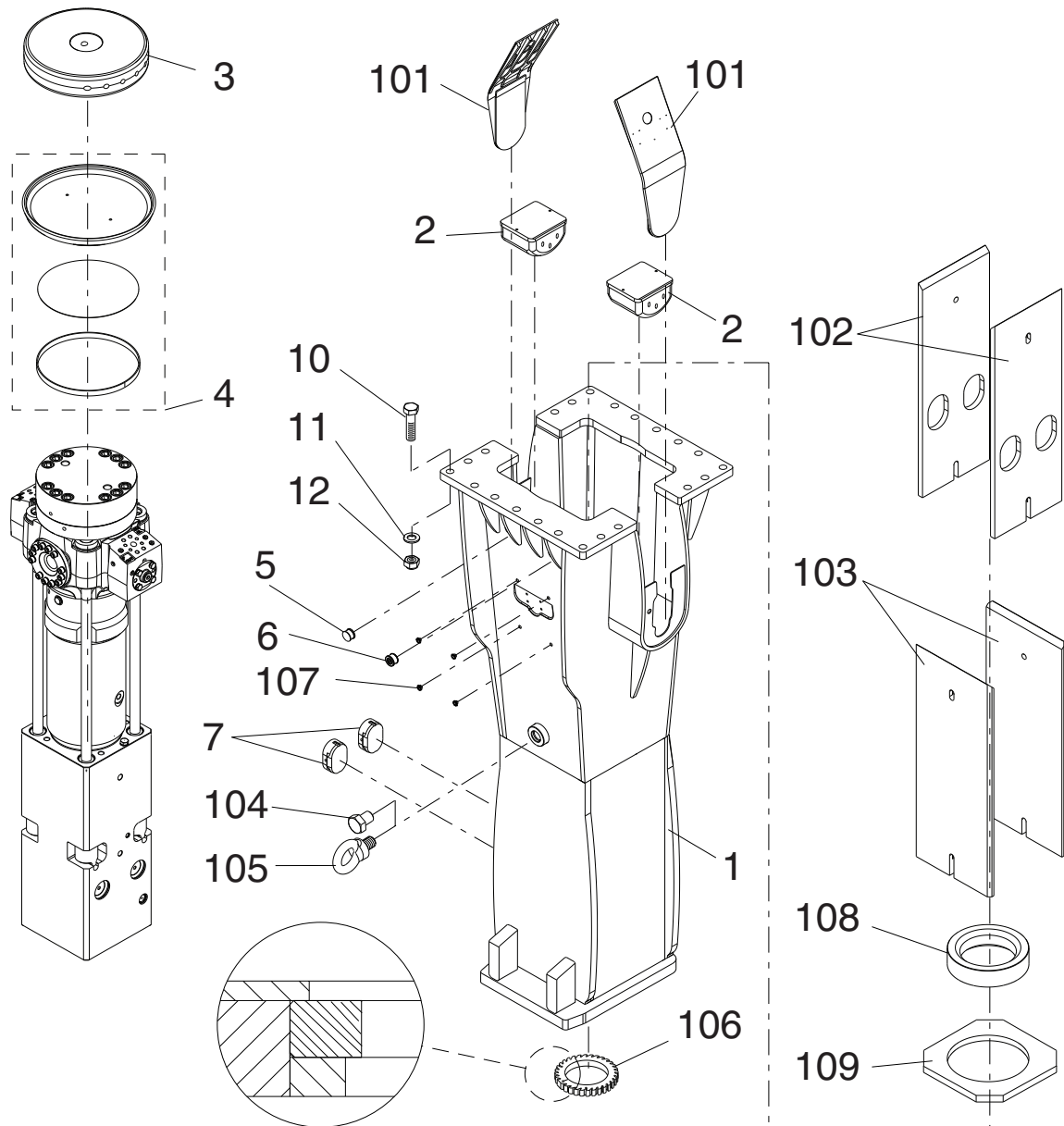
•

---

# PARTS

# HOUSING UNIT

## HOUSING UNIT



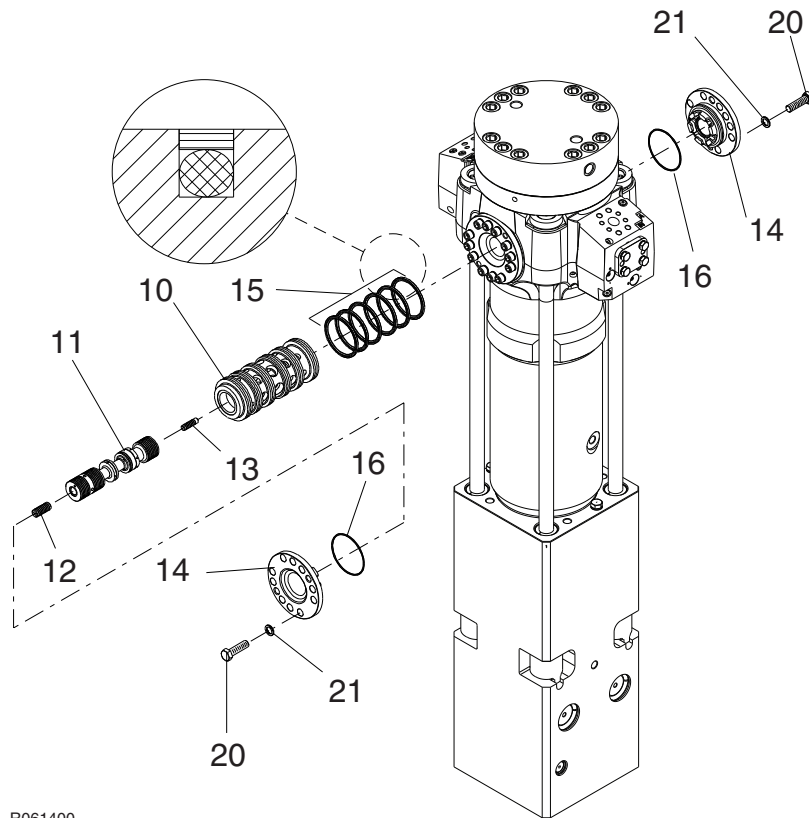
R061403

# HOUSING UNIT

Item	Description	Part no.	Specification	Note	Qty
1	Housing	80639			1
2	Pad	80651			2
3	Buffer	80652			1
4	Plate	80653			1
5	Plug	78604			1
6	Bushing	80654			1
7	Plug	80655			2
10	Hex. screw	79055	M36x150-8.8 ISO 4014		22
11	Washer	78771	37 ISO 7416		22
12	Lock nut	78772	M36-8 DIN 985		22
101	Shield plate	80656			2
102	Wear plate	80657			2
103	Wear plate	80658			2
104	Lifting eye	80659	M56 DIN 580		1
105	Hex. screw	80660	M56x70-8.8 ISO 4017		1
106	Seal	80661			1
107	Plug	77716			4
108	Seal	80662			1
109	Seal support plate	80663			1
200	Label set (incl. part 200.1)	80664			1
200.1	Safety label set	76832	English		1

# MAIN VALVE

## MAIN VALVE

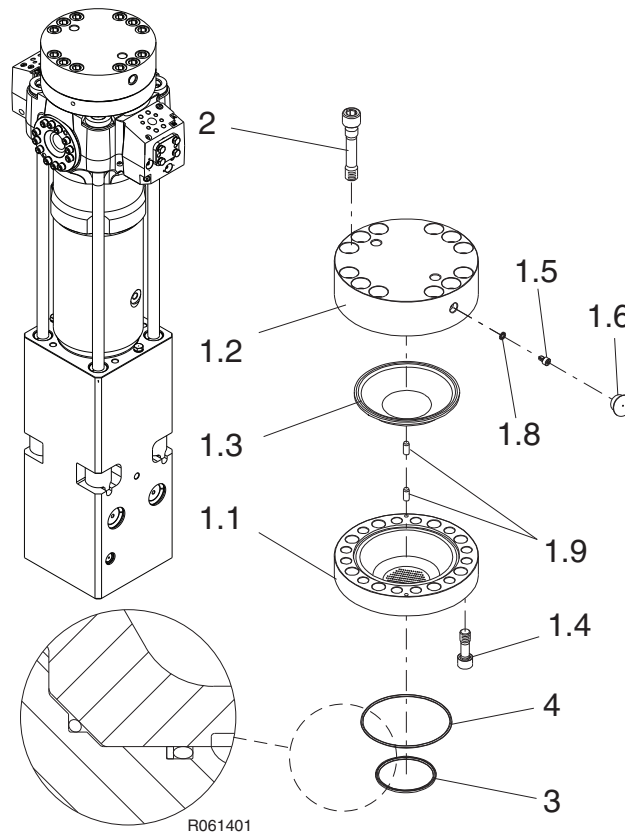


R061400

Item	Description	Part no.	Specification	Note	Qty
1	Main valve (incl. parts 10-14)	80675			1
10	Main valve bushing	80676			1
11	Main spool	80677			1
12	Spool	80678			1
13	Spool	80679			1
14	Cover	80680			2
15	Seal	80681		*	6
16	O-ring	80682	D155	*	2
20	Hex. screw	80683	M20x80-10.9 ISO 4762		24
21	Lock washer	76830	M20 NORD-LOCK		24
	*) Are included in seal set				

# ACCUMULATOR

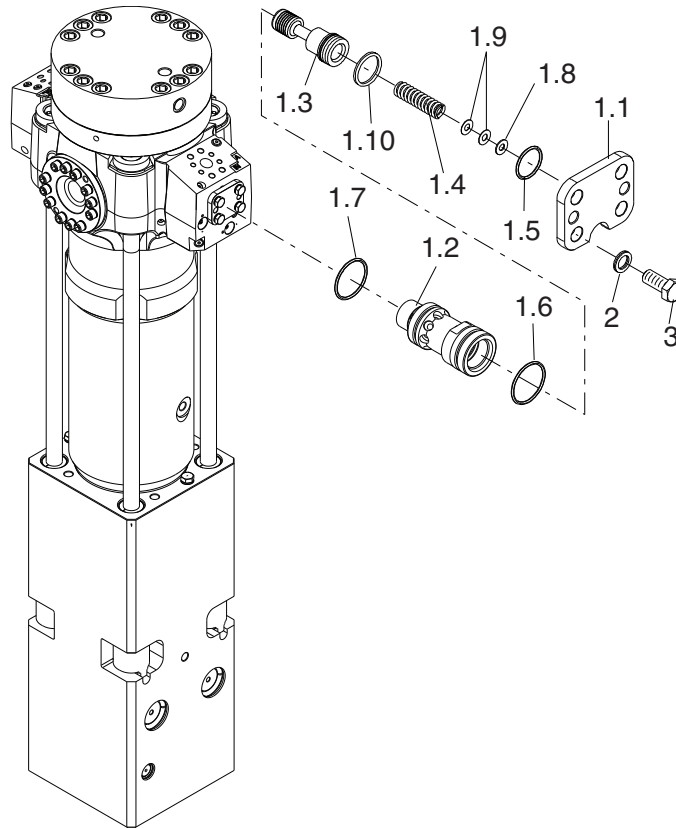
## ACCUMULATOR



Item	Description	Part no.	Specification	Note	Qty
1	Accumulator (incl. parts 1.1-1.9)	80666			1
1.1	Accumulator bottom	80667			1
1.2	Accumulator cover	80668			1
1.3	Membrane	80669			1
1.4	Accumulator screw	80670			8
1.5	Filling plug	76921			1
1.6	Shield plug	80671			1
1.8	Usit-ring	76846	8-13.9-1	*	1
1.9	Parallel pin	77781	10m6x24 ISO 8734		2
2	Accumulator screw	80672			12
3	Seal	80673		*	1
4	O-ring	80674	D285	*	1
	*) Are included in seal set				

# RESTRICTOR VALVE

## RESTRICTOR VALVE



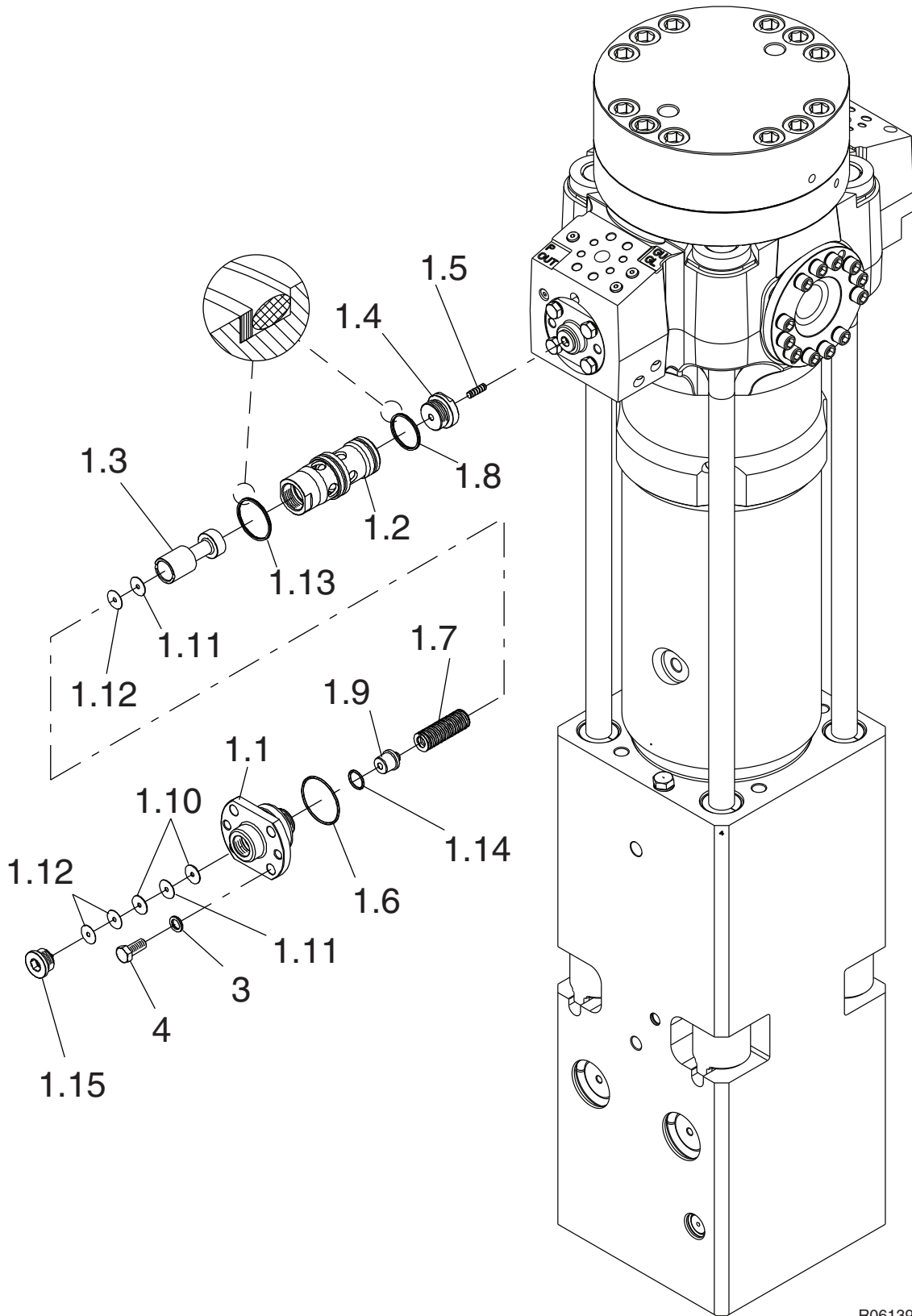
R061399

Item	Description	Part no.	Specification	Note	Qty
1	Restrictor valve (incl. parts 1.1-1.10)	80684			1
1.1	Cover	80685			1
1.2	Valve housing	80686			1
1.3	Spool	80687			1
1.4	Spring	78698			1
1.5	O-ring	80688	D42	*	1
1.6	O-ring	80689	D60	*	1
1.7	O-ring	80690	D58	*	1
1.8	Shim plate	78699	S=1		X
1.9	Shim plate	78700	S=0.5		X
1.10	Seal	80691	D43	*	1
2	Lock washer	76830	M20 NORD-LOCK		4
3	Hex. screw	78794	M20x70-10.9 ISO 4014		4
	*) Are included in seal set				



# PRESSURE CONTROL VALVE

## PRESSURE CONTROL VALVE



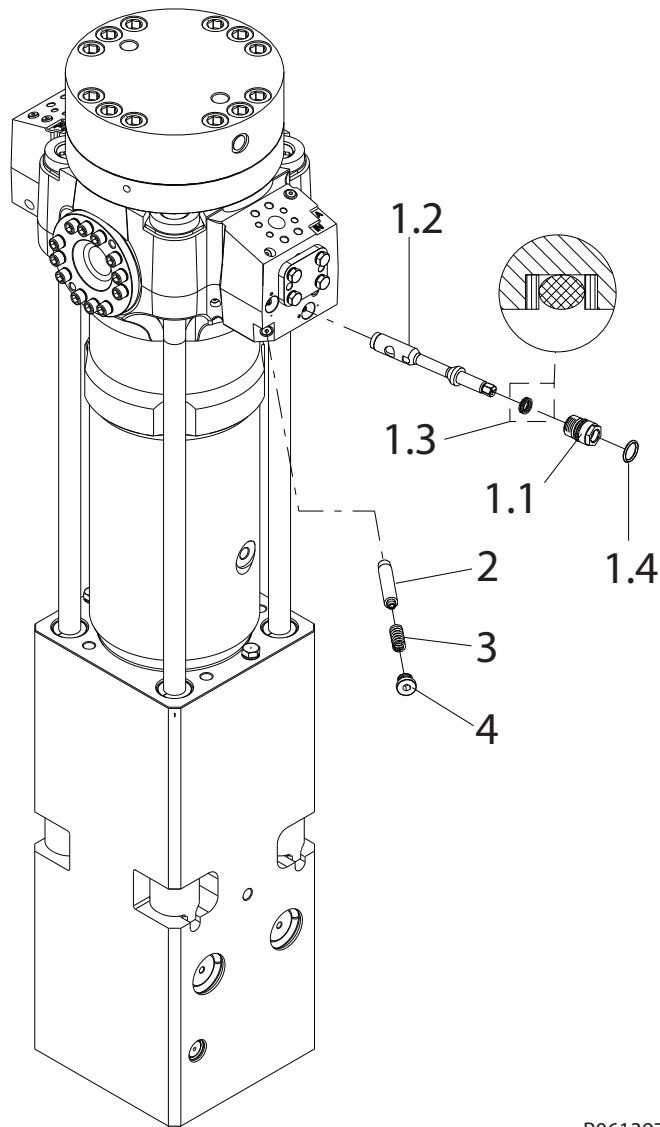
R061398

# PRESSURE CONTROL VALVE

Item	Description	Part no.	Specification	Note	Qty
1	Pressure control valve (incl. parts 1.1-1.15)	80692			1
1.1	Cover	80693			1
1.2	Valve housing	80694			1
1.3	Spool	80695			1
1.4	Guide	80696			1
1.5	Spool	79003			1
1.6	O-ring	76932	D85	*	1
1.7	Spring	79005			1
1.8	Seal	80697		*	1
1.9	Spring guide	79006			1
1.10	Shim plate	80698	S=0.75		X
1.11	Shim plate	79008	S=1		X
1.12	Shim plate	79009	S=0.5		X
1.13	Seal	80699		*	1
1.14	O-ring	79011	D26	*	1
1.15	Plug	79012			1
3	Lock washer	76830	M20 NORD-LOCK		4
4	Hex. screw	78794	M20x70-10.9 ISO 4014		4
	*) Are included in seal set				

# IDLE SELECTOR

## IDLE SELECTOR

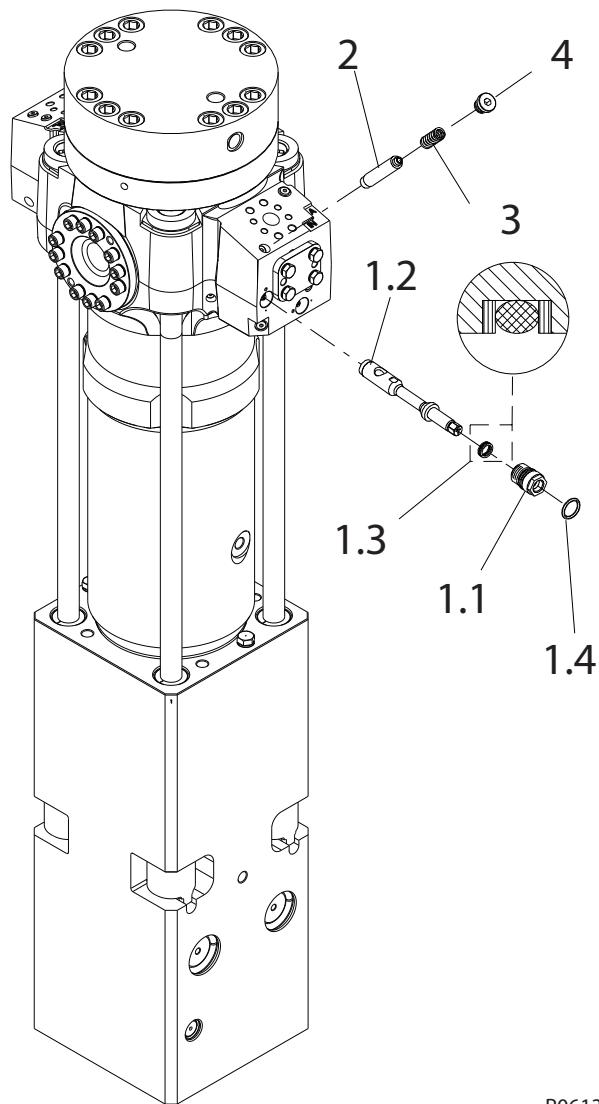


R061397

Item	Description	Part no.	Specification	Note	Qty
1	Valve (incl. parts 1.1-1.4)	78704			1
1.1	Cover	78705			1
1.2	Spool	78706			1
1.3	Seal	78707	D13	*	1
1.4	O-ring	78708	D20	*	1
2	Pin	80700			1
3	Spring	78710	Danly 9-1006-11		1
4	Flange plug	76847	BSP 3/8		1
	*) Are included in seal set				

# STROKE SELECTOR VALVE

## STROKE SELECTOR VALVE

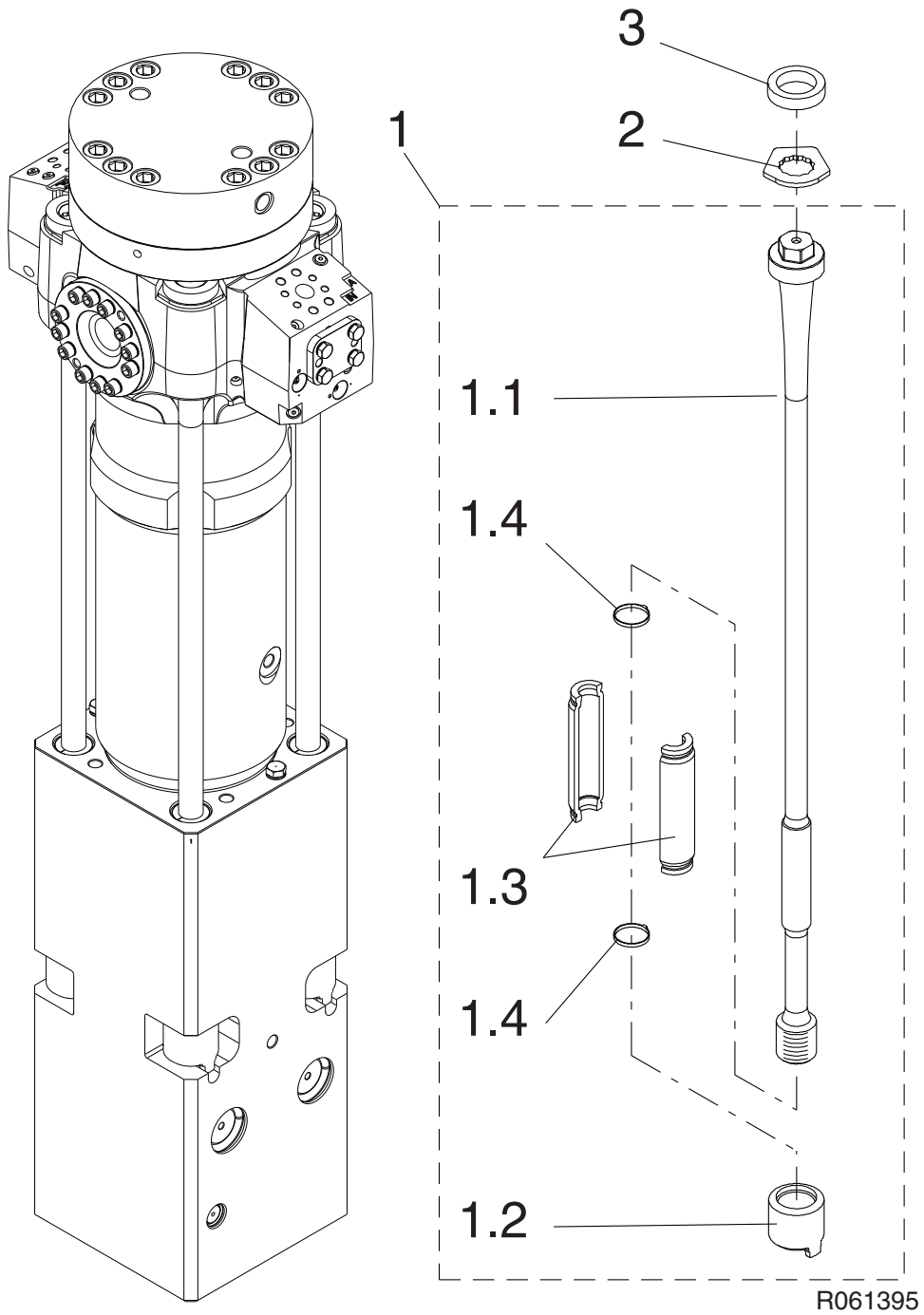


R061396

Item	Description	Part no.	Specification	Note	Qty
1	Valve (incl. parts 1.1-1.4)	78704			1
1.1	Cover	78705			1
1.2	Spool	78706			1
1.3	Seal	78707	D13	*	1
1.4	O-ring	78708	D20	*	1
2	Pin	80700			1
3	Spring	78710	Danly 9-1006-11		1
4	Flange plug	76847	BSP 3/8		1
	*) Are included in seal set				

# TIE RODS

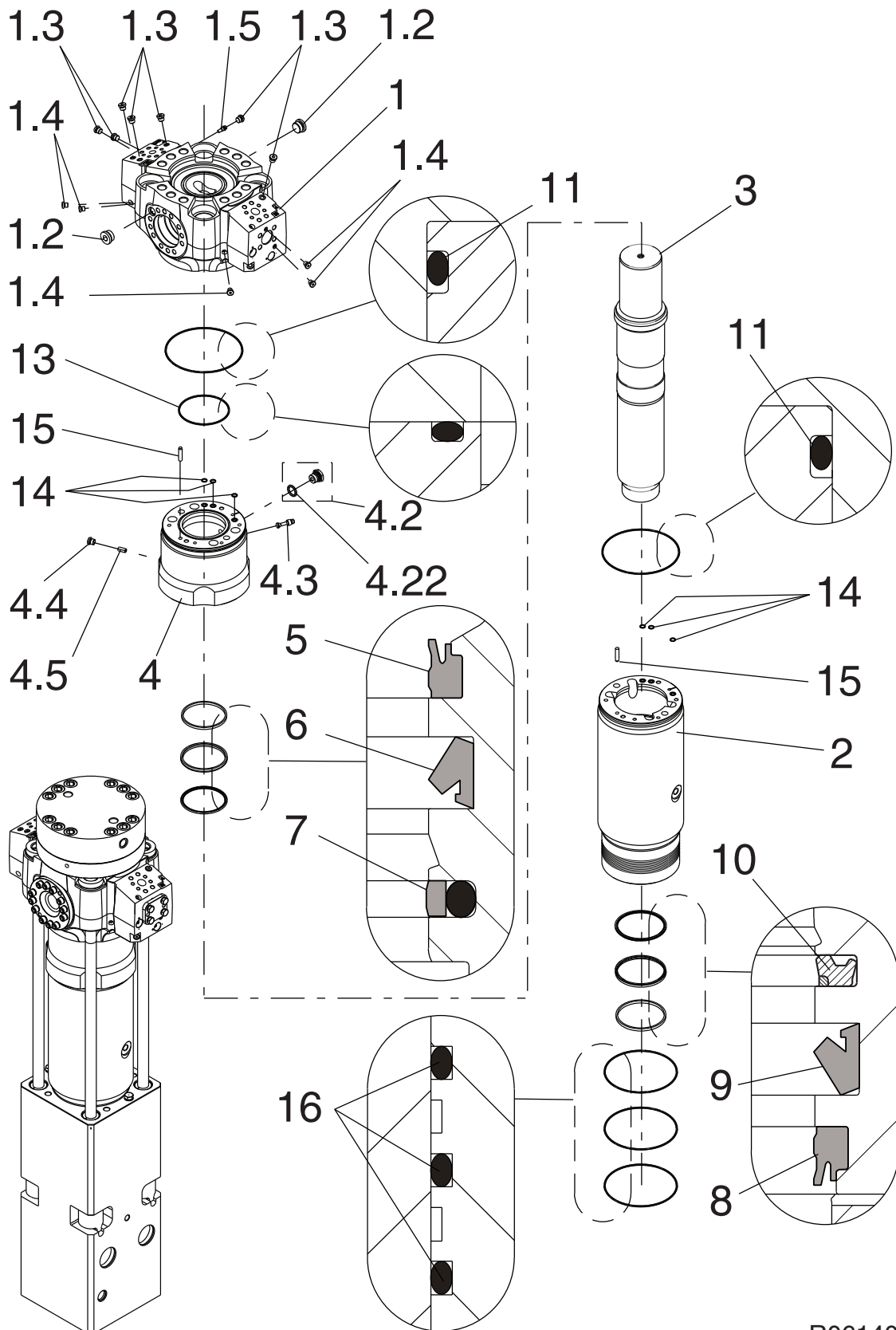
## TIE RODS



Item	Description	Part no.	Specification	Note	Qty
1	Tie rod (incl. parts 1.1-1.4)	80702			4
1.1	Tie rod	N/A			1
1.2	Tie rod nut	N/A			1
1.3	Vibration dampening element	80703			2
1.4	Cable tie	76962			2
2	Lock plate	80704			4
3	Rubber ring	80706			4

# BODY PARTS

## BODY PARTS



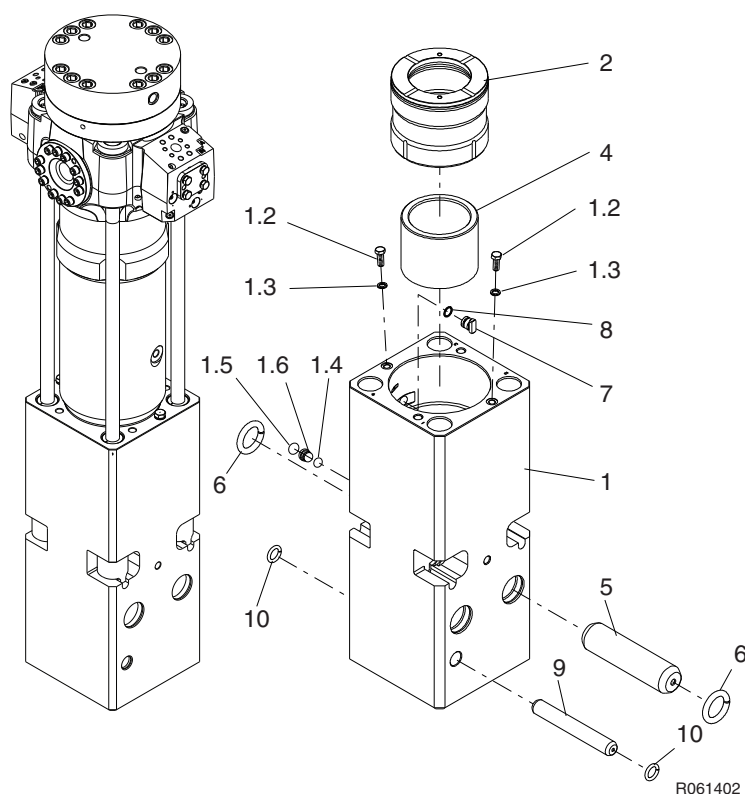
R061404

## BODY PARTS

Item	Description	Part no.	Specification	Note	Qty
1	Valve body (incl. parts 1.2-1.5)	80707			1
1.2	Flange plug	79016	R1		2
1.3	Flange plug	76847	R3/8		7
1.4	Flange plug	76969	R1/4		5
1.5	Nozzle	78716			1
2	Cylinder	80708			1
3	Piston	80709			1
4	Seal carrier (incl. parts 4.2-4.5)	80710			1
4.2	Breather (incl. part 4.22)	78720			1
4.22	O-ring	78721	D27	*	1
4.3	Plug	78722			1
4.4	Flange plug	76847	R3/8		1
4.5	Nozzle	80711			1
5	Wiper	80712		*	1
6	Seal	80713		*	1
7	Seal	80714		*	1
8	Wiper	80715		*	1
9	Seal	80716		*	1
10	Seal	80717		*	1
11	O-ring	80718	D339	*	2
13	O-ring	80719	D219	*	1
14	O-ring	76837	D19	*	6
15	Parallel pin	80720	16m6x80 ISO 8734		2
16	O-ring	80721	D319	*	3
	*) Are included in seal set				

# FRONT HEAD

## FRONT HEAD

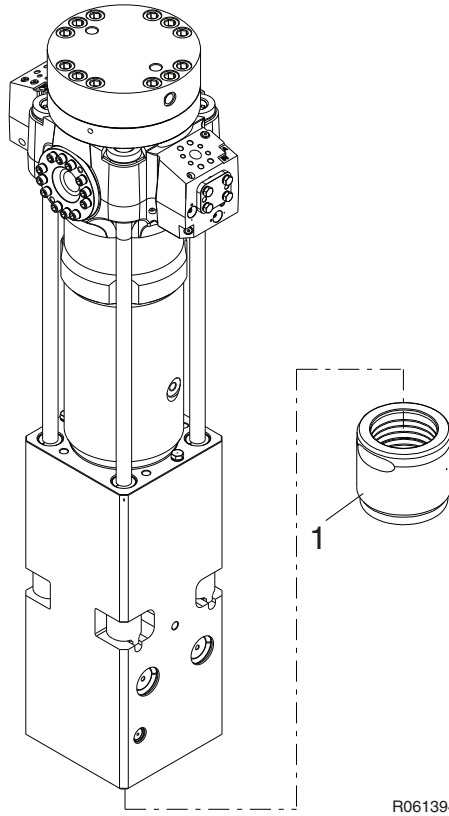


Item	Description	Part no.	Specification	Note	Qty
1	Front head (incl. parts 1.2-1.6)	80722			1
1.2	Hex. screw	80723	M24x70-12.9 ISO 4017		2
1.3	Lock washer	76854	NL24 NORD-LOCK		2
1.4	O-ring	80724	D15		1
1.5	Spring ring	80725	B25 DIN 779040		1
1.6	Plug	80726			1
2	Thrust ring	80727			1
4	Upper tool bushing	80728			1
5	Tool retaining pin	80729			2
6	Ring	80730			4
7	Wedge	78739			1
8	O-ring	76838	D24	*	1
9	Retaining pin	80731			1
10	O-ring	80732		*	2
	*) Are included in seal set				



# LOWER TOOL BUSHING

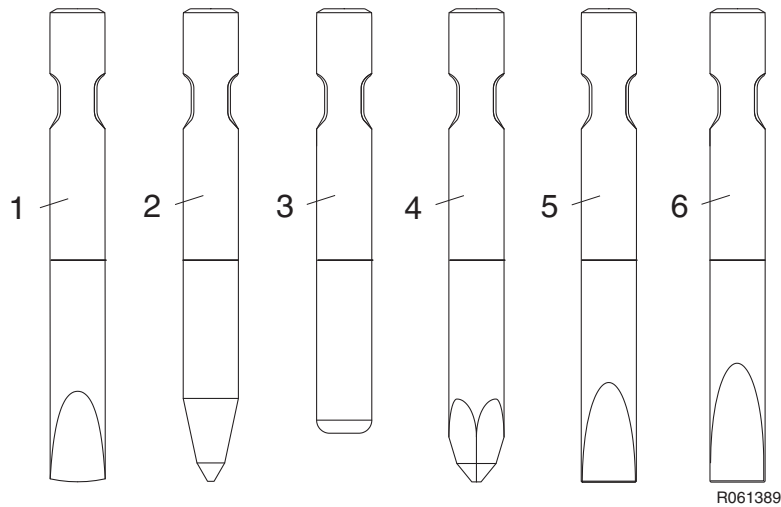
## LOWER TOOL BUSHING



Item	Description	Part no.	Specification	Note	Qty
1	Lower tool bushing	80733			1

# TOOL

## TOOL



Item	Description	Part no.	Specification	Note	Qty
1	Chisel	80734	L = 1750 mm, W = 442 kg, D = 215 mm		1
2	Moil point	80735	L = 1750 mm, W = 432 kg, D = 215 mm		1
3	Blunt	80736	L = 1600 mm, W = 431 kg, D = 215 mm		1
4	Pyramid	80737	L = 1750 mm, W = 432 kg, D = 215 mm		1
5	Hard Rock Chisel	80738	L = 1750 mm, W = 422 kg, D = 215 mm		1
6	Limestone Chisel	80739	L = 1750 mm, W = 455 kg, D = 215 mm		1

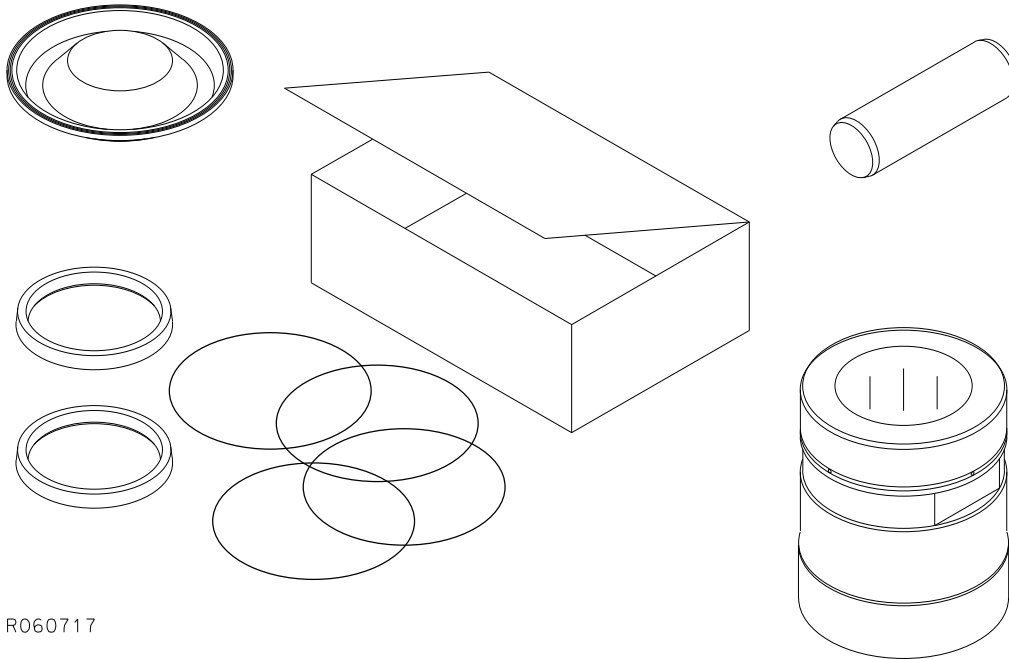


## SEAL SET

Item	Description	Part no.	Specification	Note	Qty
Kit	Seal set (incl. parts 1-28)	80743			1
1	Usit-ring	76846	8-13.9-1		1
2	Seal	80673			1
3	O-ring	80674	D285		1
4	Seal	80681			6
5	O-ring	80682	D155		2
6	O-ring	80688	D42		1
7	O-ring	80689	D60		1
8	O-ring	80690	D58		1
9	Seal	80691	D43		1
10	O-ring	76932	D85		1
11	Seal	80697			1
12	Seal	80699			1
13	O-ring	79011	D26		1
14	Seal	78707	D13		2
15	O-ring	78708	D20		2
16	O-ring	78721	D27		1
17	Wiper	80712			1
18	Seal	80713			1
19	Seal	80714			1
20	Wiper	80715			1
21	Seal	80716			1
22	Seal	80717			1
23	O-ring	80718	D339		2
24	O-ring	80719	D219		1
25	O-ring	76837	D19		6
26	O-ring	80721	D319		3
27	O-ring	76838	D24		1
28	O-ring	80732			2
	The seals for the greasing device are not included in this seal set. They are included in the service kit for the greasing device.				

# SERVICE KIT

## SERVICE KIT

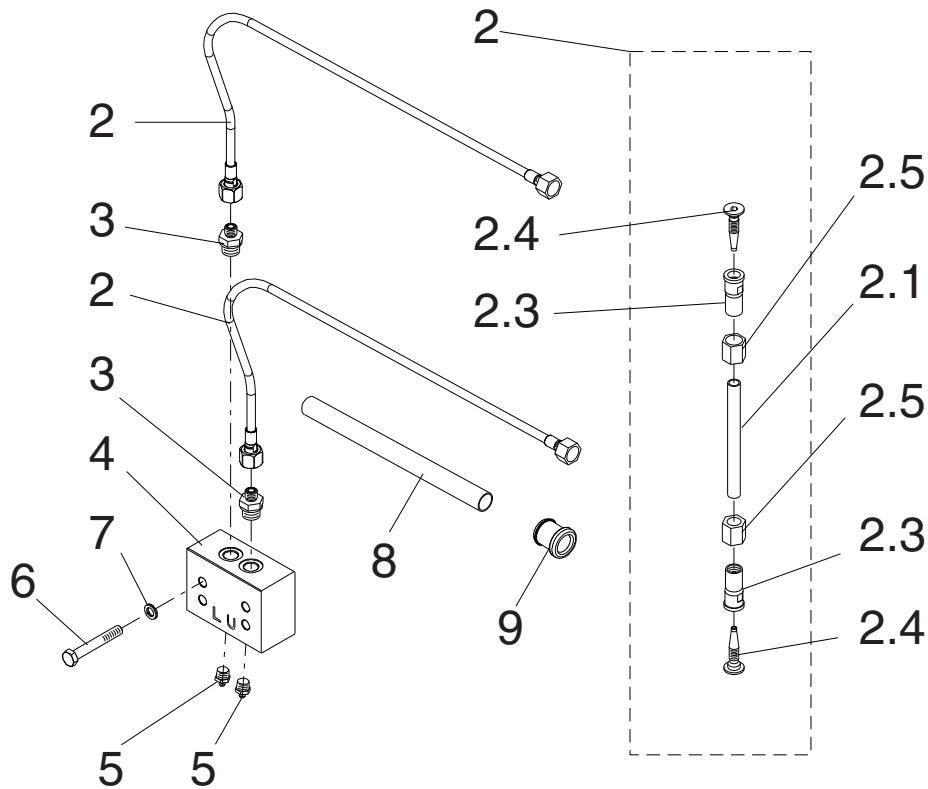


R060717

Item	Description	Part no.	Specification	Note	Qty
Kit	Service kit (incl. parts 1 - 4)	80744			1
1	Membrane	80669			1
2	Tool retaining pin	80729			2
3	Lower tool bushing	80733			1
4	Seal set	80743			1

# GREASING BLOCK FOR MANUAL GREASING

## GREASING BLOCK FOR MANUAL GREASING

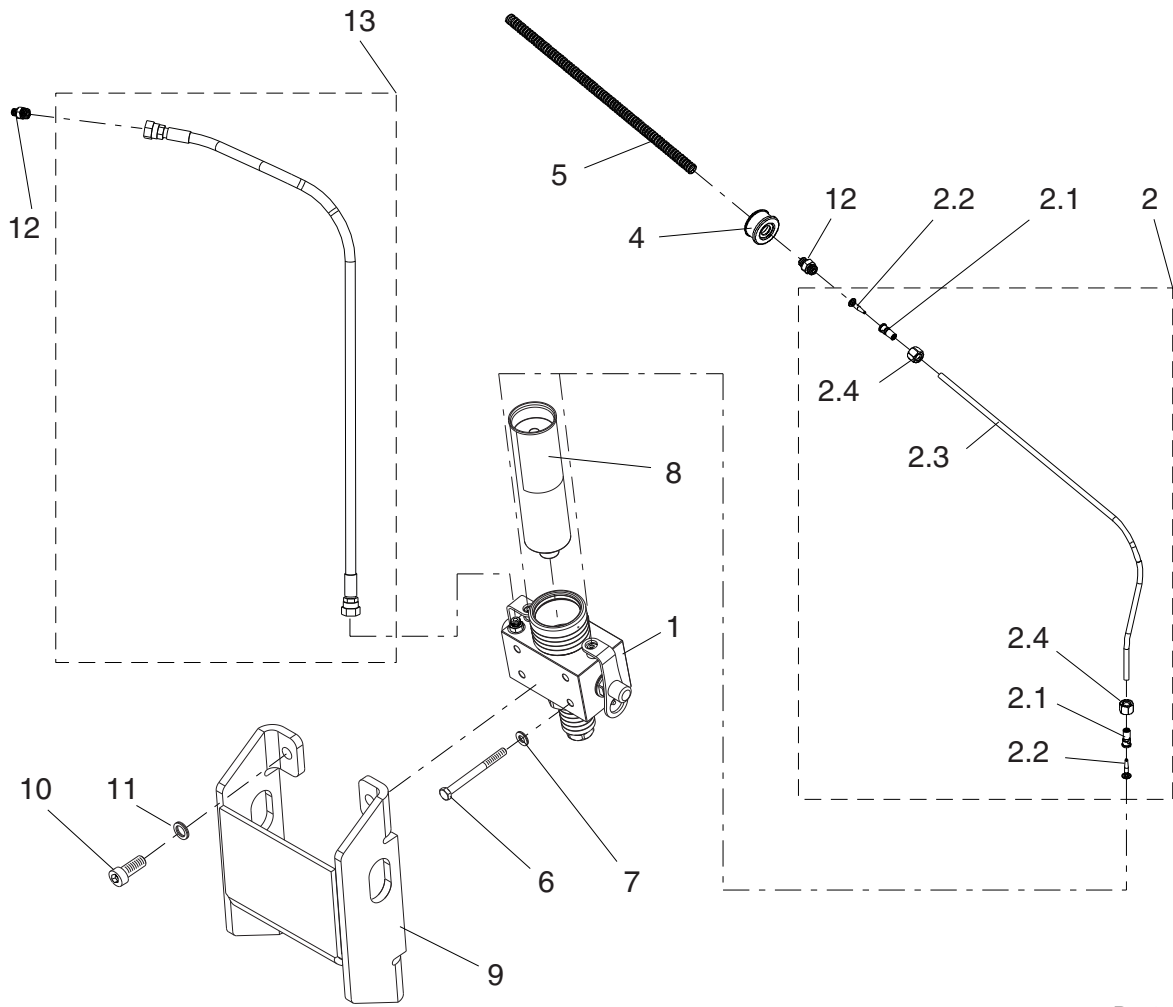


R061393

Item	Description	Part no.	Specification	Note	Qty
Kit	Greasing block for manual greasing (incl. parts 2-8)	80740			1
2	Hose assembly (incl. parts 2.1-2.5)	80741			2
2.1	Hose	80742			1
2.3	Sleeve	77707			2
2.4	Insert	77708			2
2.5	Nut	77710			2
3	Connector	77711			2
4	Body	78758			1
5	Grease zerk	77714	R1/4		2
6	Hex. screw	78759	M10x70-8.8 ISO 4014		4
7	Lock washer	77725	M10 NL10sp NORD-LOCK		4
8	Shield	77723			1
9	Rubber bushing	77722			1

# GREASING DEVICE KIT

## GREASING DEVICE KIT



R061392

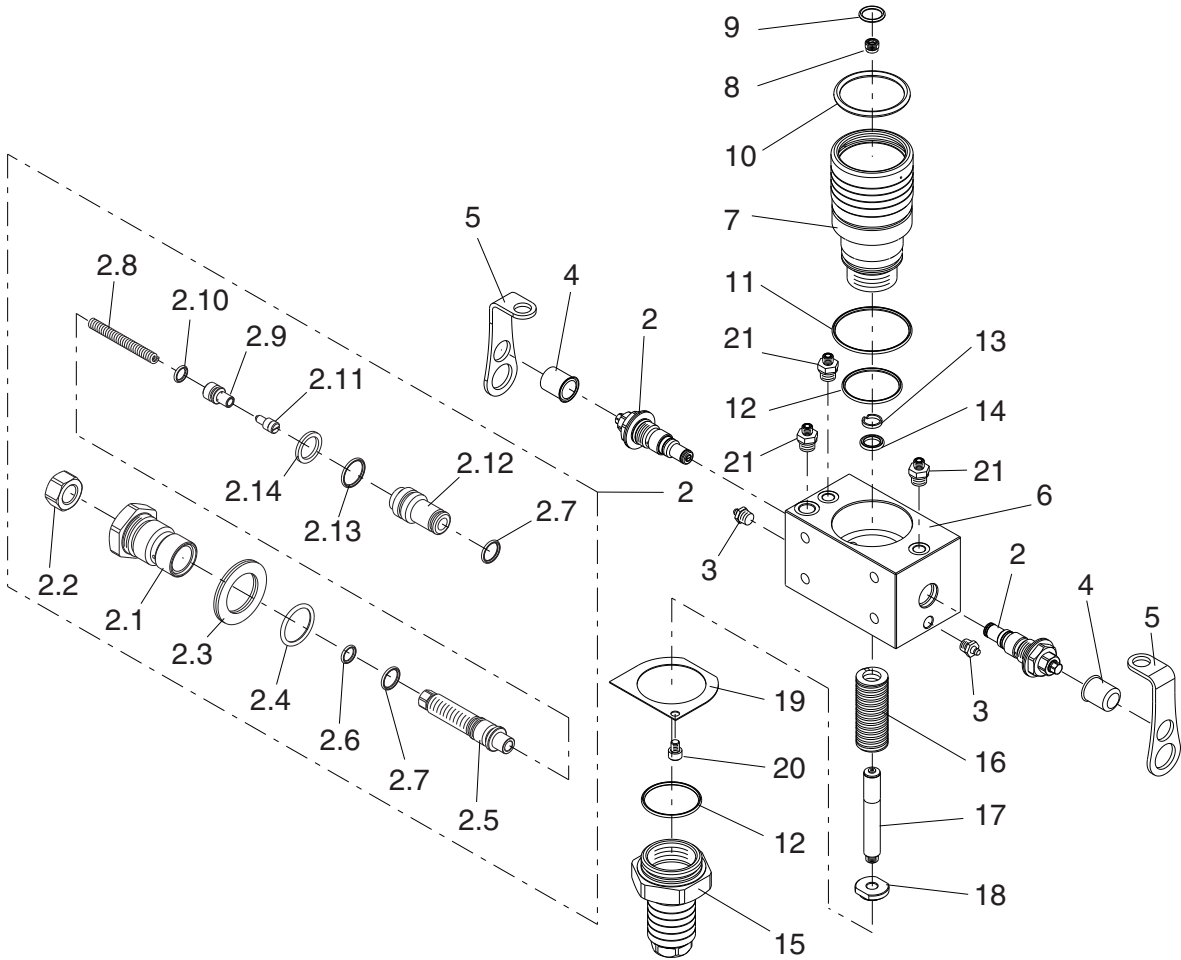
## GREASING DEVICE KIT

Item	Description	Part no.	Specification	Note	Qty
1	Greasing device RG542	78761			1
2	Hose assembly (incl. parts 2.1-2.4)	80741			2
2.1	Sleeve	77707			2
2.2	Insert	77708			2
2.3	Hose	79124			1
2.4	Nut	77710			2
4	Rubber bushing	77722			1
5	Shield	77723			1
6	Hex. screw	77724	M10x110-8.8 ISO 4014		4
7	Lock washer	77725	M10 NL10sp NORD-LOCK		4
8	Grease cartridge	77726	Special tool grease, Greasing device cartridge. Greasing device cartridges are also sold in boxes of 24.		1
9	Shield	78762			1
10	Hex. socket screw	77728	M16x35-8.8 ISO 4762		4
11	Lock washer	76852	M16 NORD-LOCK		4
12	Connector	77711	BSPP 3/8		3
13	Hose assembly	80772			1



# GREASING DEVICE

## GREASING DEVICE



R061391

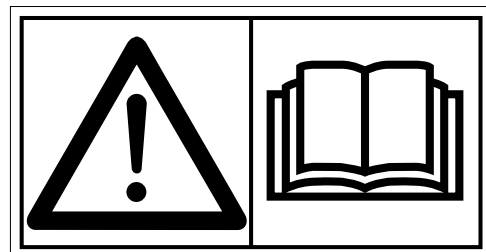
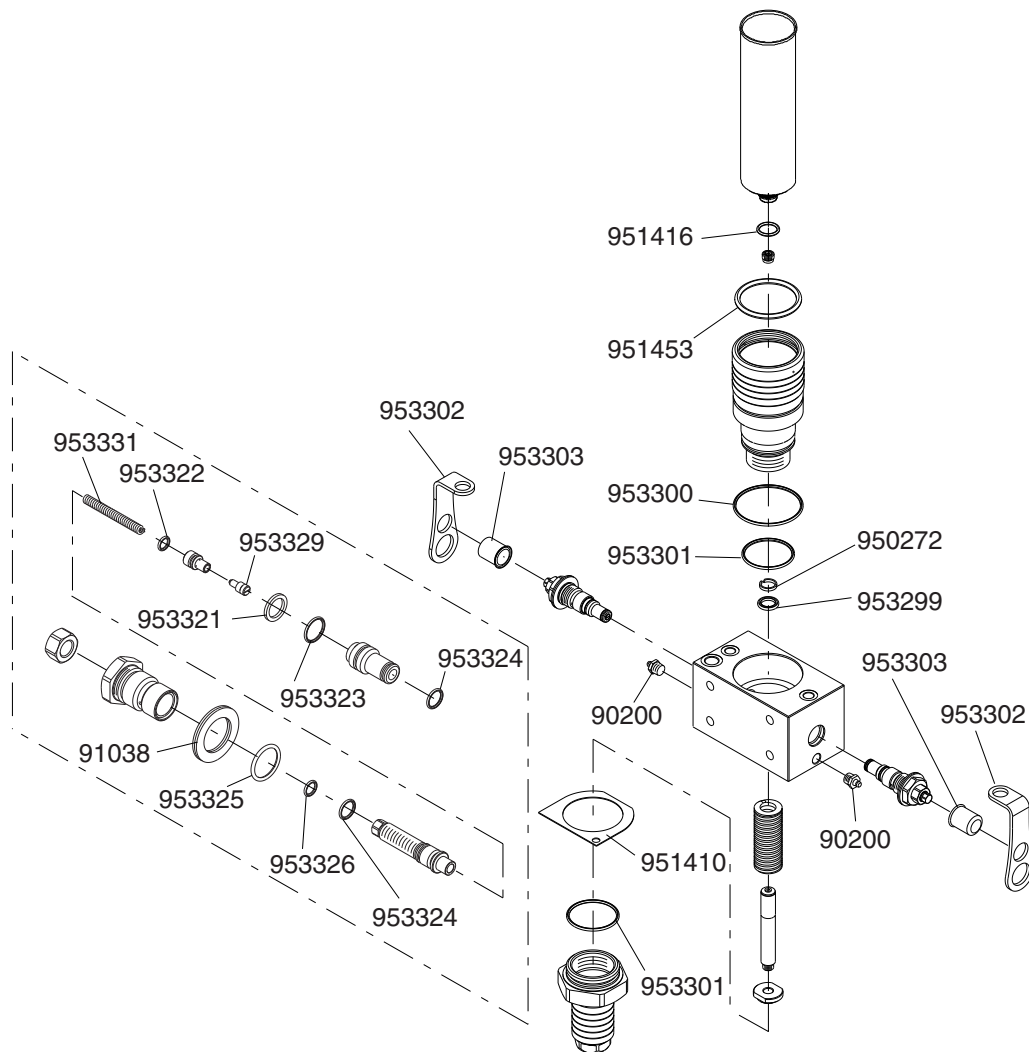
## GREASING DEVICE

Item	Description	Part no.	Specification	Note	Qty
1	Greasing device RG542 (incl. parts 2-20)	78761			1
2	Doser (incl. parts 2.1-2.14)	77730			2
2.1	Plug	77731			1
2.2	Nut	77732	M12x1 DIN 934		1
2.3	Lock washer	76854	M24 NORD-LOCK	*	1
2.4	O-ring	77733	D21	*	1
2.5	Adjusting screw	77734			1
2.6	O-ring	77735	D8	*	1
2.7	O-ring	77736	D11	*	2
2.8	Spring	77737		*	1
2.9	Piston	77738			1
2.10	O-ring	77739	D7	*	1
2.11	Piston	77740		*	1
2.12	Body	77741			1
2.13	O-ring	77742	D15	*	1
2.14	Shim plate	77743		*	1
3	Grease zerk	77714	BSP 1/4	*	2
4	Plug	77744		*	2
5	Locking plate	77745			2
6	Body	78763			1
7	Cartridge holder	78764			1
8	Check valve	77748			1
9	O-ring	77749	D19	*	1
10	O-ring	77750	D62	*	1
11	O-ring	77751	D71	*	1
12	O-ring	77752	D52	*	2
13	Guide ring	77753		*	1
14	Seal	77754		*	1
15	Spring housing	77755			1
16	Spring	77756			1
17	Piston	77757			1
18	Nut	77758			1
19	Lock plate	77759		*	1
20	Hex. socket screw	77760	M8x10-8.8 ISO 4762	*	1
21	Connector	77712	BSPP 1/4		3
kit	Seal set for greasing device	77761			1
	*) Are included in seal set for greasing device				

# SERVICE KIT FOR GREASING DEVICE RG540 SERIES

## SERVICE KIT FOR GREASING DEVICE RG540 SERIES

Service kit 953385



This summary only indicates the position of the seals. It must NOT be used as assembly instruction. Read the manual.

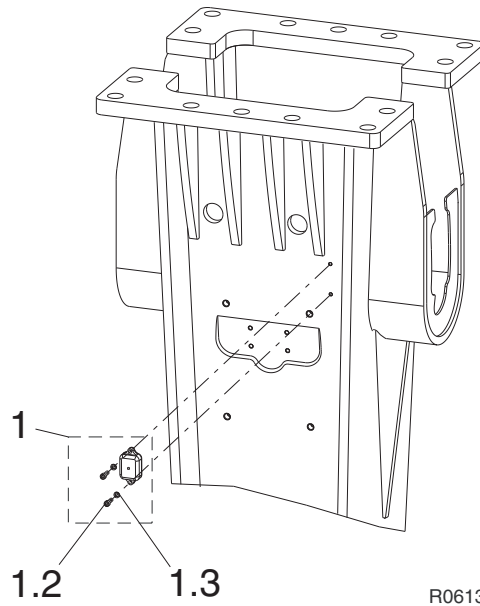
R061096

## SERVICE KIT FOR GREASING DEVICE RG540 SERIES

Item	Description	Part no.	Specification	Note	Qty
Kit	Service kit for greasing device (incl. parts 1-19)	77761			1
1	Lock plate	77759			1
2	Plug	77744			2
3	Guide ring	77753			1
4	Seal	77754			1
5	O-ring	77751	D71		1
6	O-ring	77750	D62		1
7	O-ring	77752	D52		2
8	O-ring	77749	D19		1
9	O-ring	77735	D8		2
10	O-ring	77733	D21		2
11	O-ring	77736	D11		4
12	O-ring	77742	D15		2
13	O-ring	77739	D7		2
14	Shim plate	77743			2
15	Spring	77737			2
16	Piston	77740			2
17	Lock washer	76854	M24 NORD-LOCK		2
18	Grease zerk	77714	R1/4		2
19	Locking plate	77745			2
	Service kit for greasing device is not included in the breakers seal set.				

# SDC SERVICE INDICATOR

## SDC SERVICE INDICATOR



Item	Description	Part no.	Specification	Note	Qty
1	SDC service indicator (incl. parts 1.2-1.3)	77762			1
1.2	Hex. socket screw	79177	M8x25- 8.8 ISO 4762		2
1.3	Lock washer	79178	M8 NORD-LOCK		2







**LaBounty**  
**1538 Highway 2**  
**Two Harbors, Minnesota 55616-8015 USA**  
**Phone: (218) 834-2123**  
**Fax: (218) 834-3879**