

STANLEY®

MB256 MOUNTED HYDRAULIC BREAKER



USER MANUAL Safety, Operation and Maintenance



© 2015 Stanley Black & Decker, Inc.
New Britain, CT 06053
U.S.A.
30341 3/2015 Ver. 34

DECLARATION OF CONFORMITY

DECLARATION OF CONFORMITY
 ÜBEREINSTIMMUNGS-ERKLÄRUNG
 DECLARATION DE CONFORMITE CEE
 DECLARACION DE CONFORMIDAD
 DICHIARAZIONE DI CONFORMITA



I, the undersigned:
 Ich, der Unterzeichnende:
 Je soussigné:
 El abajo firmante:
 Io sottoscritto:

Weisbeck, Andy

Surname and First names/Familiennname und Vornamen/Nom et prénom/Nombre y apellido/Cognome e nome

hereby declare that the equipment specified hereunder:
 bestätige hiermit, daß erklaren Produkt genannten Werk oder Gerät:
 déclare que l'équipement visé ci-dessous:
 Por la presente declaro que el equipo se especifica a continuación:
 Dichiaro che le apparecchiature specificate di seguito:

1. Category: **Hydraulic Hammer Breaker**
 Kategorie:
 Catégorie:
 Categoria:
 Categoria:

2. Make/Marke/Marque/Marca/Marca **Stanley**

3. Type/Typ/Type/Tipo/Tipo: **MB256, MB25616**

4. Serial number of equipment:
 Seriennummer des Geräts:
 Numéro de série de l'équipement:
 Numero de serie del equipo:
 Matricola dell'attrezzatura:

All

5. Mass/Masse/Masse/Masa/Massa 493 lbs / 224 kg

Has been manufactured in conformity with
 Wurde hergestellt in Übereinstimmung mit
 Est fabriqué conformément
 Ha sido fabricado de acuerdo con
 E' stata costruita in conformità con

Directive/Standards Richtlinie/Standards Directives/Normes Directriz/Los Normas Direttiva/Norme	No. Nr Numéro No n.	Approved body Prüfung durch Organisme agréé Aprobado Collaudato
EN ISO	12100:2010	Self
EN Noise Directive Machinery Directive	982:2008 2000/14/EC:2005 2006/42/EC:2006	Self Self Self

6. Special Provisions: **None**
 Spezielle Bestimmungen:
 Dispositions particulières:
 Provisiones especiales:
 Disposizioni speciali:

7. Measurements: **Measured Sound Power Level 122 LwA**
Guaranteed Sound Power Level 126 LwA
 Measured in accordance to Directive 2000/14/EC,
 Messungen
 Mesures
 Mediciones
 Misurazioni

8. Representative in the Union: **Patrick Vervier, Stanley Dubuis 17-19, rue Jules Berthonneau-BP 3406 41034 Blois Cedex, France.**
 Vertreter in der Union/Représentant dans l'union/Representante en la Union/Rappresentante presso l'Unione

Done at/Ort/Fait à/Dado en/Fatto a Stanley Hydraulic Tools, Milwaukie, Oregon USA Date/Datum/le/Fecha/Data 3-22-11

Signature/Unterschrift/Signature/Firma

Position/Position/Fonction/Cargo/Posizione Director of Product Development

TABLE OF CONTENTS

DECLARATION OF CONFORMITY	2
SAFETY SYMBOLS	4
SAFETY PRECAUTIONS.....	5
TOOL STICKERS & TAGS	8
OPERATION.....	9
TROUBLESHOOTING	15
MAINTENANCE	16
CHARGING THE ACCUMULATOR.....	17
FLOW CONTROL KIT INSTRUCTIONS	18
WEAR TOLERANCES	19
PROPER USE & CARE OF TOOL BITS	20
FLOW TEST PROCEDURES.....	24
DEFINITION OF TERMS.....	26
SPECIFICATIONS.....	27
ACCESSORIES.....	28
MB256 PARTS ILLUSTRATION	29
MB256 PARTS LIST	30
MB25600 SIDE PLATES PARTS ILLUSTRATION	31
MB25603 SIDE PLATES PARTS ILLUSTRATION	32
SS MODEL MOUNTING BRACKETS	33

IMPORTANT

To fill out a Product Warranty Validation form, and for information on your warranty, visit Stanleyhydraulics.com and select the Company tab, Warranty.
(NOTE: The warranty Validation record must be submitted to validate the warranty).

SERVICING: This manual contains safety, operation, and routine maintenance instructions. Stanley Hydraulic Tools recommends that servicing of hydraulic tools, other than routine maintenance, must be performed by an authorized and certified dealer. Please read the following warning.

⚠ WARNING

SERIOUS INJURY OR DEATH COULD RESULT FROM THE IMPROPER REPAIR OR SERVICE OF THIS TOOL.

REPAIRS AND / OR SERVICE TO THIS TOOL MUST ONLY BE DONE BY AN AUTHORIZED AND CERTIFIED DEALER.

For the nearest authorized and certified dealer, call Stanley Hydraulic Tools at the number listed on the back of this manual and ask for a Customer Service Representative.

SAFETY STMBOLS

Safety symbols and signal words, as shown below, are used to emphasize all operator, maintenance and repair actions which, if not strictly followed, could result in a life-threatening situation, bodily injury or damage to equipment.



This is the safety alert symbol. It is used to alert you to potential personal injury hazards. Obey all safety messages that follow this symbol to avoid possible injury or death.



This safety alert and signal word indicate an imminently hazardous situation which, if not avoided, will result in death or serious injury.



This safety alert and signal word indicate a potentially hazardous situation which, if not avoided, could result in death or serious injury.



This safety alert and signal word indicate a potentially hazardous situation which, if not avoided, could result in death or serious injury.



This signal word indicates a potentially hazardous situation which, if not avoided, may result in property damage.



This signal word indicates a situation which, if not avoided, will result in damage to the equipment.



This signal word indicates a situation which, if not avoided, may result in damage to the equipment.

Always observe safety symbols. They are included for your safety and for the protection of the tool.

LOCAL SAFETY REGULATIONS

Enter any local safety regulations here. Keep these instructions in an area accessible to the operator and maintenance personnel.

SAFETY PRECAUTIONS



! WARNING

Do not operate the breaker unless the following safety instructions have been thoroughly read and understood! Read this manual before installing, operating or maintaining this equipment.

- A flying projectile from the breaker, breaker tool, rock or other material may enter the operator's compartment and cause serious or fatal injury to the operator. Personal protection equipment must be used.
- A flying projectile from the breaker, breaker tool, rock or other material may cause serious or fatal injury to bystanders. Never operate the breaker when bystanders are in the work area.
- On some machines/carriers, the breaker can enter the operator's compartment if it breaks loose and swings toward the operator. Make sure that suitable impact shields are used when operating the breaker with this type of equipment.
- Do not operate the breaker unless all safety decals described in this manual are in place. The decals must be inspected periodically to ensure that all wording is legible. The decals must be replaced if illegible. Replacement decals can be obtained from your authorized Stanley Distributor.
- When operating the breaker you must use ear protection, eye protection, and breathing protection.

SAFETY PRECAUTIONS

Tool operators and maintenance personnel must always comply with the safety precautions given in this manual and on the stickers and tags attached to the tool and hose.

These safety precautions are given for your safety. Review them carefully before operating the tool and before performing general maintenance or repairs.

Supervising personnel should develop additional precautions relating to the specific work area and local safety regulations. If so, place the added precautions in the space provided in this manual.



The Mounted Hydraulic Breaker will provide safe and dependable service if operated in accordance with the instructions given in this manual. Read and understand this manual and any stickers and tags attached to the tool and hoses before operation. Failure to do so could result in personal injury or equipment damage.

Check the rules and regulations at your location. The rules might include an employer's work safety program. Regulations may identify hazards such as working around utility supply lines or hazardous slopes.

BE THOROUGHLY TRAINED BEFORE OPERATING THE UNIT ALONE

- Operator training must start in an area without bystanders and use all the controls until he/she can control the machine fully under the conditions of the work area.
- When learning to operate a machine, do so at a slow pace.

KNOW THE WORK CONDITIONS

- The operator must know any prohibited uses or work areas for the machine. For example, excessive slopes and poor or dangerous terrain conditions must be avoided.

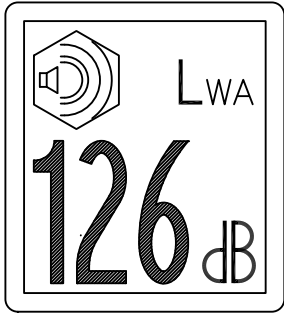
OBEY SAFETY RULES

- Operate the breaker in accordance with all laws and regulations which affect you, your equipment, and the work site.
- Do not operate the breaker until you have read this manual and thoroughly understand all safety, operation and maintenance instructions.
- The operator must be familiar with all prohibited work areas such as excessive slopes and dangerous terrain conditions.
- Do not operate the breaker until you have read the carrier equipment manual and thoroughly understand all safety, operation and maintenance instructions. The word "carrier", as used in this manual, means a backhoe or excavator or similar equipment used to operate the breaker.
- Ensure that all maintenance procedures recommended in this manual are completed before using the equipment.
- The operator must not operate the breaker or carrier if any people are within the area where they may be injured by flying debris or movement of the equipment.
- Know the limits of your equipment.
- Establish a training program for all operators to ensure safe operation.
- **Warning:** Use of this tool on certain materials during demolition could generate dust potentially containing a variety of hazardous substances such as asbestos, silica or lead. Inhalation of dust containing these or other hazardous substances could result in serious injury, cancer or death. Protect yourself and those around you. Research and understand the materials you are cutting. Follow correct safety procedures and comply with all applicable national, state or provisional health and safety regulations relating to them, including, if appropriate arranging for the safe disposal of the materials by a qualified person.

SAFETY PRECAUTIONS

- Do not operate the tool unless thoroughly trained or under the supervision of an instructor.
- Become familiar with the carrier controls before operating the carrier and the breaker.
- When operating the breaker you must use ear protection, eye protection, and breathing protection.
- While learning to operate the breaker and carrier, do so at a slow pace. If necessary, set the carrier mode selector to the slow position.
- Make sure all controls (levers and pedals) are in the NEUTRAL position before starting the carrier.
- While operating the breaker and carrier, keep hands and feet on the controls at all times.
- Before leaving the carrier, always lower the boom and insure the carrier is stable. Never leave the machine with the engine running. ALWAYS ENGAGE THE PARKING BRAKE.
- Stop the engine before attempting to make any repairs, adjustments or servicing to either the carrier or the breaker.
- Do not operate the tool at oil temperatures above 190 °F/88 °C. Operation at higher temperatures can damage the internal components of the breaker and carrier and will result in reduced breaker performance.
- Do not operate a damaged, leaking, improperly adjusted, or incompletely assembled breaker.
- Do not modify the breaker in any manner.
- Use only tool bits supplied by Stanley Hydraulic Tools. Use of tool bits supplied by another manufacturer may damage the breaker and will void the warranty.
- To avoid personal injury or equipment damage, all breaker repair, maintenance and service must only be performed by authorized and properly trained personnel.
- If you do not understand how to safely operate your breaker, contact an authorized Stanley Dealer for assistance.
- Keep this manual with the breaker.
- Do not operate this equipment if you are taking medication which may affect your mental judgement or physical performance.
- Do not operate this equipment if you are under the influence of drugs or alcohol.

TOOL STICKERS & TAGS



66218
Sound Power Level—126 dBA



56595
Accumulator Pressure Sticker—300 PSI



27711
Accumulator Pressure Sticker—350 PSI



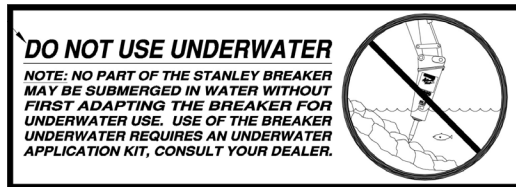
29177
CE Specification Plate



47352
Lifting Point Decal



34522
Accumulator Pressure Sticker—1000 PSI



72074
Grease Sticker



70752
Stanley Decal



66764
Made in USA Decal



73004
MB256 Decal

OPERATION

PRE-INSTALLATION INSTRUCTIONS BACKHOE OR EXCAVATOR SIZE

Check the Specifications section of this manual to determine correct carrier size, hydraulic flow and pressure requirements.

⚠ WARNING

If hydraulic pressure, hydraulic back-pressure, hydraulic flow or carrier weight class are exceeded, the tool warranty is void.

EXISTING EQUIPMENT HYDRAULICS VS. APPLICATION ATTACHING KITS

Using existing equipment hydraulic auxiliary systems for operating hydraulic tools could cause problems for the hydraulic tool and the hydraulic system if not set up properly. Simply plugging into the hydraulic system without confirming pressure and flow to the hydraulic tool is not a good practice. Spare spool valves, dipper circuits, etc., are just a few examples of easily accessible hydraulic circuits which could prove to cause problems for hydraulic tool usage.

Stanley Hydraulic Tools has for many years developed ATTACHING KITS for adapting to existing hydraulic systems of many popular carriers.

If your equipment does not contain an attaching kit, ask your Stanley dealer for information, installation, and pricing on a kit which matches your equipment needs.

TEST THE HYDRAULIC SYSTEM

1. Have your Stanley dealer test the carrier hydraulic system to make sure the system is operating at the manufacturers specified capacity and pressure ratings.
2. Be sure the fluid in the hydraulic system is filtered to at least 10 micro-meters. (Particles found in fluid should not exceed 10 micro-meters in size.)
3. Check the hydraulic filter. Replace the filter if dirty or deteriorated.
4. Have your Stanley dealer test the circuit to which the breaker will be connected to make sure that the circuit is supplying the specified flow and pressure rating for the breaker. See the Specifications section of this manual.

PRE-OPERATION PROCEDURES NITROGEN CHARGE

The breaker has been properly charged with nitrogen at the factory and is ready to use.

TOOL BIT LUBRICATION

Grease the top 10 in. / 250 mm of the breaker tool bit before installing. During operation, the tool can be greased through the grease fitting. Grease is required.

Make sure the tool bit is against the piston by placing the tool bit against the ground and then putting down pressure on the breaker. See the illustrations below.

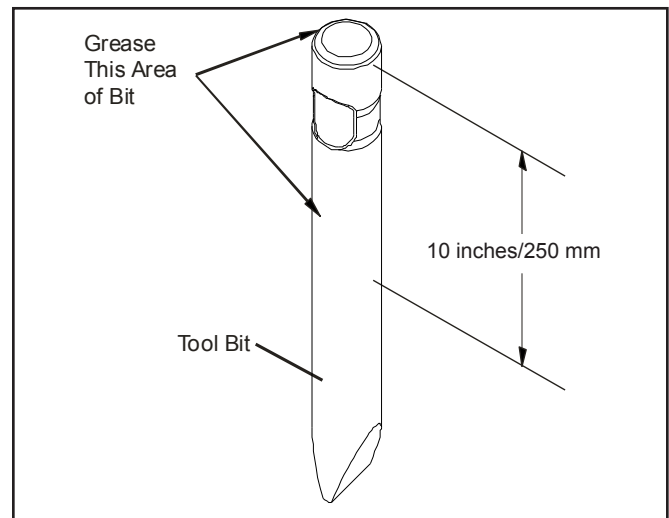


Figure 1. Greasing the Top of the Tool Bit

⚠ WARNING

Greasing the tool bit without down pressure on the breaker results in grease filling the space between the piston and the tool bit. When the breaker is next activated, the piston will strike the grease at a speed which will pressurize the grease resulting in seal and grease zerk failure.

OPERATION

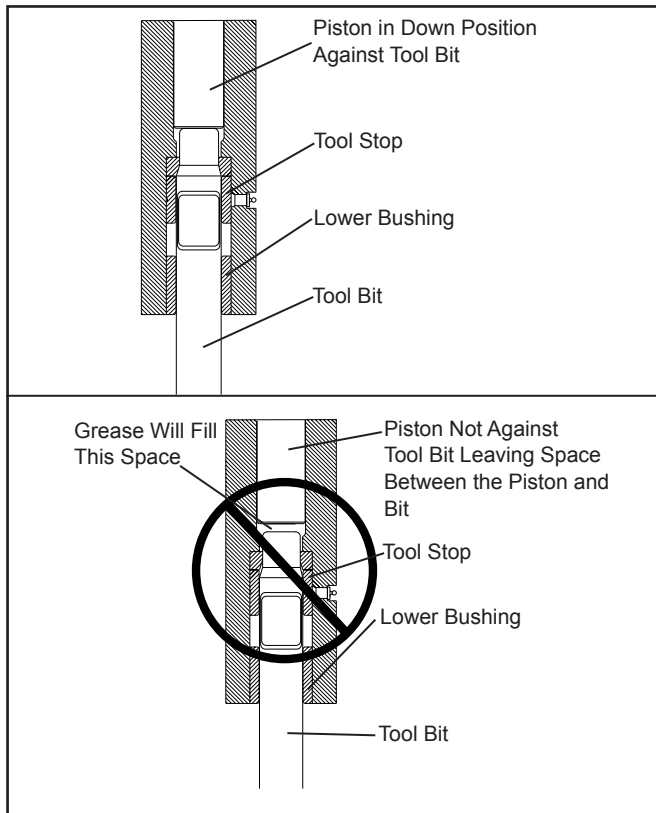


Figure 2. Positioning the Tool Bit with Lubrication

SECURING THE TOOL BIT

1. The tool retainer (17) is shipped installed in the breaker (see parts illustration).
2. Drive out the tool retainer using a punch and hammer.
3. Grease the top area of the tool bit as shown in Figure 1 page 9.
4. Install the tool bit making sure the notch is aligned with the lower body retainer pin hole.
5. Install the tool retainer.

⚠ WARNING

Always wear eye protection when installing or removing the tool retaining pin.

LOW TEMPERATURE WARM-UP PROCEDURE

1. After starting the carrier, warm-up the hydraulic system at engine idle until hydraulic lines are warm to the touch.

2. With the carrier at idle and the breaker suspended in the air or with minimal down pressure, turn on the breaker to gradually warm up its internal components.
3. When the hydraulic system and breaker are warm, proceed with operation.

LONG TERM STORAGE

1. Remove the tool bit, clean the tool stop and the lower bushing. Thoroughly coat the surfaces of the tool stop and the lower bushing with grease.
2. If hoses are attached to the breaker, install plugs on the hose ends. If hoses are removed from the breaker, install plugs on the hose ends and install plugs in the breaker IN and OUT ports.
3. Store the breaker in a vertical position. Do not store the breaker horizontally for extended periods.

OPERATING A BREAKER

PREPARATION FOR USE

Read the section in this manual titled Pre-Operation Procedures before operating a breaker. Failure to follow the preparation instructions can result in severe damage to the breaker and carrier and void the warranties of both.

POSITIONING THE CARRIER

SKIDSTEER LOADERS

With the breaker tool in place on the material to be worked, position the skidsteer loader arms and the breaker bracket so the breaker is almost vertical and the front tires of the skidsteer are off of the ground.

Keep lowering the loader arms as the tool penetrates the work material so the skidsteer weight stays on the tool. The breaker is more efficient when adequate down force is applied.

OPERATION

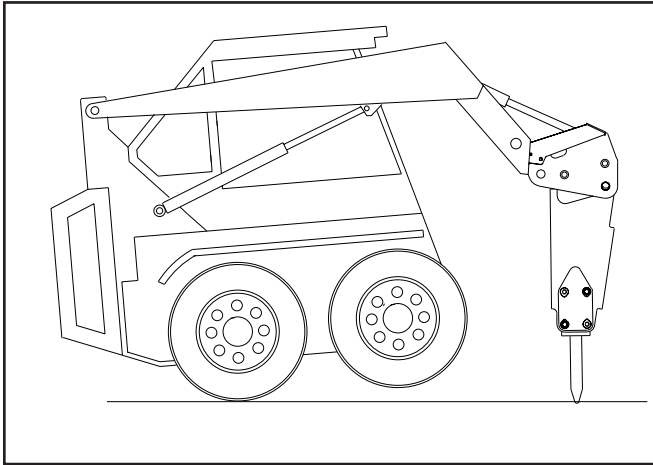
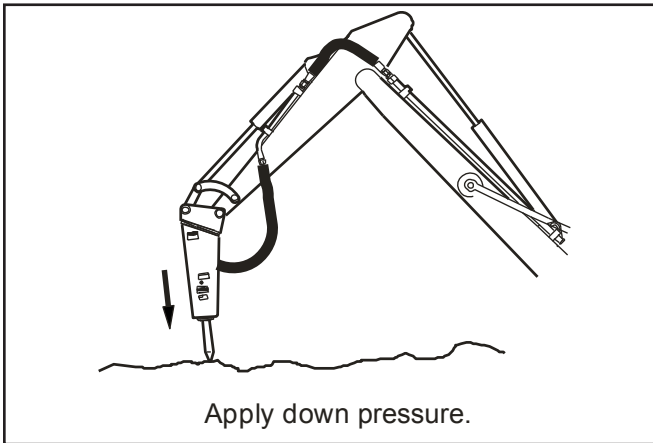


Figure 3. Skidsteer Loader

BACKHOES

With the breaker tool in place on the material to be worked, position the backhoe so the boom is halfway up (45°) and the dipper holds the breaker almost vertical. Lower the loader bucket until the weight is off the front tires.



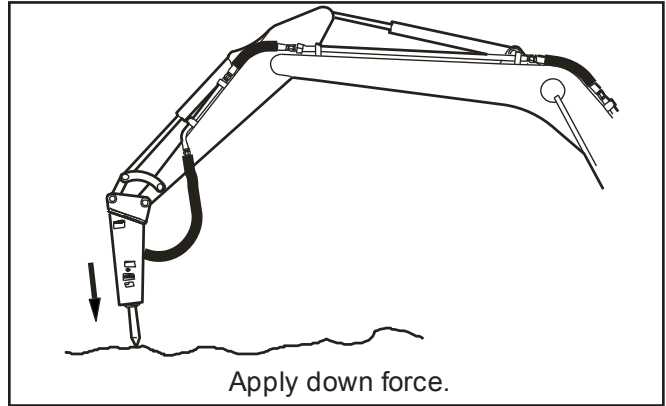
Apply down pressure.

Figure 4. Backhoe

Apply down force to the boom/dipper until the rear of the backhoe is raised off the ground. Rear tires and stabilizers should be off the ground so the total rear weight of the backhoe is on the breaker tool. The breaker is more efficient when adequate down force is applied.

EXCAVATORS

With the breaker tool in place on the material to be worked, position the excavator so the dipper is at approximately 45° and the breaker is almost vertical. The tracks of the excavator should be in line with the boom and the breaker.

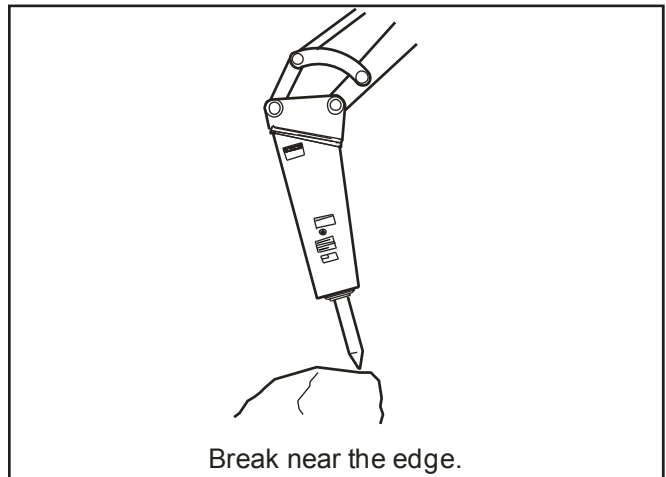


Apply down force.

Figure 5. Excavator

POSITIONING THE BREAKER TOOL ON THE WORK MATERIAL

Position the tool bit near the edge of the work material, not in the center or far from the edge. Position the tool 6–18 inches (depending on the material) from the edge. Breaking off smaller pieces of rock or concrete usually accomplishes more than trying to break larger pieces.



Break near the edge.

Figure 6. Position the Tool Bit

On flat material or rock, the breaker should be vertical or “curled” back slightly to direct the impact force downward and toward the backhoe. This directs the force back toward the edge of the work material. If the tool is positioned in the center of the work, or too far from the edge, the energy will be absorbed into the material without cracking it. Do not run the breaker longer than 15–20 seconds. If breakout does not occur within this time, move the breaker to another position.

OPERATION

On flat material such as concrete runways, starting to break in the middle of the material may cause vibrations to be transmitted throughout the breaker and excavator because the material has no place to break to. Always try to start at a point which will permit the material to break out.

MAINTAIN DOWN PRESSURE

Maintaining hard contact with the surface of the material to be broken in addition to maintaining adequate “down force” is very important. Always keep “down pressure” or “down force” on the point of the breaker by lifting the wheels, tracks, or stabilizers slightly above the ground. This method takes the “slack” out of the bracket and boom pivots, and reduces the impact on the pivots in the boom.

The operator needs to be constantly aware of the amount of down pressure being applied and be able to adjust it if necessary. Not enough down pressure results in low production and accelerates wear and tear on the equipment. Too much down pressure may cause the breaker housing to violently crash into the broken material when “break-through” occurs.

In any breaking job, the operator should make every effort to “follow” the breaker with “down pressure” as the machine breaks farther into the material. The breaker should be stopped as soon as “break-through” occurs or if it is apparent that good solid blows are not occurring.

BREAKING

The operator should note the sound of the blow when the breaker is running. With experience, the operator will be able to tell the difference between a good solid blow and a hollow sounding blow. A hollow blow means that solid blows are not occurring and breaker should be repositioned.

Continuous tool penetration usually does not do much good. If the material does not break with 3–6 inches of tool penetration, it usually won't break with full penetration. The time used for additional penetration could be better used to strike blows in another place.

Many materials do not respond well to continued hammering in one place. The breaker tool should be repositioned on the work each time the tool penetrates but does not crack the material.

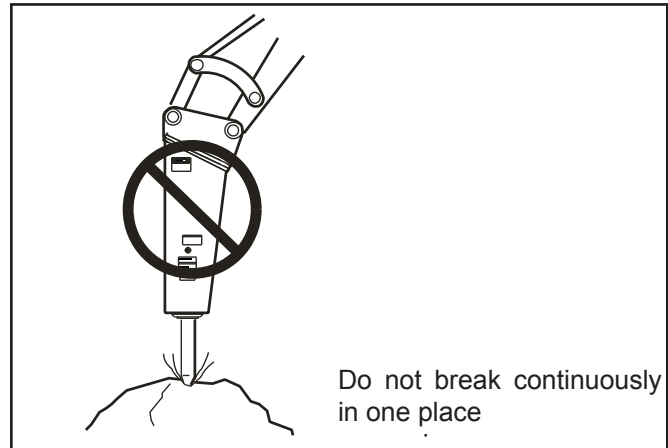


Figure 7. Breaking

CAUTION

Continuous penetration in the same area for lengthy periods will create excessive temperatures at the tip of the tool bit resulting in loss of temper (hardness) of the bit, mushrooming of the tip of the bit and may lead to failure of the bit.

Use a “scoring” method of breaking when cracking the material becomes difficult. This technique involves striking the rock or concrete at several places along a line where you want the crack to occur. Most materials break sooner when struck several places along a line than when struck repeatedly in one location. On each line, the breaker tool should be continually repositioned. Practice determines the best length of time to stay in one spot (15–20 seconds) and how far to move the breaker tool.

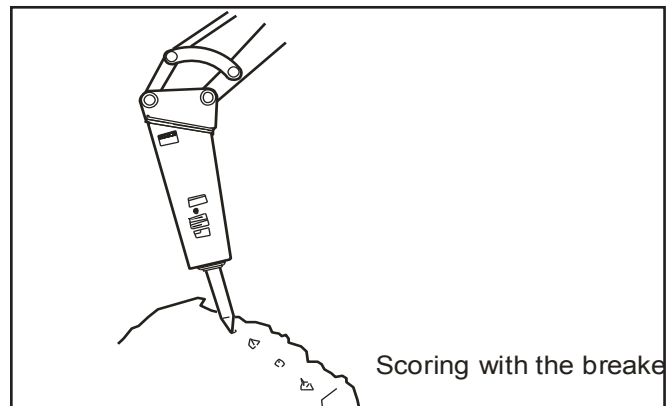


Figure 8. Scoring with the Breaker

OPERATION

Breaker tool binding can cause erratic breaker operation and premature wear on the tool shank. Breaker tool binding is caused by failure to direct the down force in the direction of the tool bit.

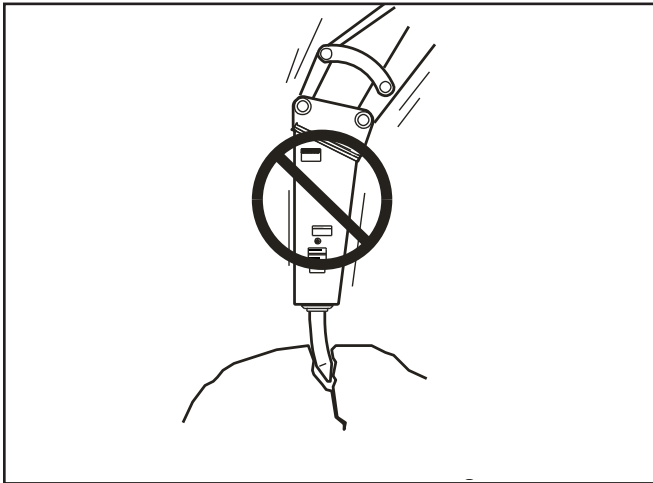


Figure 9. Breaker Tool Bit Binding

CAUTION

Do not pry with bit and breaker. The tool bit may break causing injury.

Excessive side force cocks the tool in its bore, prevents proper movement and causes premature tool shank and bushing wear. Since the breaker tool bit must be pushed up into the breaker to operate, a binding tool prevents the breaker from operating correctly. Binding also causes the tool bit and tool bushings to seize and often results in breakage of one or more breaker components.

Always direct the down pressure force in a line toward the point of tool contact with the work.

Moving rocks with the tool bit is another method of binding the tool bit. This practice should be avoided as it may cause tool bit failure.

Rebar reinforced concrete introduces the problem of concrete chunks being held together by the rebar after the concrete has been broken. The best approach to this problem is to use a chisel point tool which permits cutting the rebar with the breaker. Another method is to periodically cut the rebar with an oxy-acetylene torch

BLANK FIRING

To understand “Blank Firing”, the operator needs to be

aware that the tool bit is able to drop down in the lower body cavity, far enough so that the piston cannot strike it, when the tool bit is not in contact with the work surface. “Blank Firing” occurs whenever the breaker is operating and the piston is not able to strike the tool bit solidly or not strike the tool bit at all. “Blank Firing” accelerates wear and tear on breaker and carrier components and may result in failure of one or more components. Excessive “Blank Firing” may be considered equipment abuse and may result in voiding warranties.

Break-through or difficult surface contact results in “Blank Firing” when the material being broken fractures and the tool bit is no longer in “hard contact” with the material but is still pushed high enough in the lower body cavity so that the piston can strike it. In this position, the piston strikes the tool bit and the tool bit, in turn, is driven against the retaining pins because it is not in sufficient contact with the material to be broken. The energy is absorbed by the retaining pins, other breaker components, and the carrier boom components. “Blank Firing” of this type can be experienced in trench work where obtaining striking contact with the work surface is difficult or the wrong tool bit is used, or in flat rock work where the operator fails to stop operation of the breaker when slippage, fracturing or material break-through occurs.

“Blank Firing” as a result of operator error occurs when the tool bit is not in contact with the work surface to be broken and is allowed to drop down in the lower body cavity so that the piston is not able to strike it. Instead, the downward movement of the piston will be stopped by an internal oil cushion located at the bottom of the piston’s stroke and the energy of the piston will be absorbed by breaker components and excavator boom components. “Blank Firing” of this type can be experienced when the operator fails to stop operation of the breaker when the material fractures or material break-through occurs, or during re-positioning of the breaker.

While “Blank Firing” cannot always be avoided, it can be kept to a minimum by avoiding the above conditions as much as possible.

OPERATION

UNDERWATER USAGE

Underwater usage of the breaker will cause damage to internal components. Even if the breaker is partially submerged, water is introduced to an area between the tool bit and piston. On the piston down cycle, the water becomes compressed and damages adjacent components.

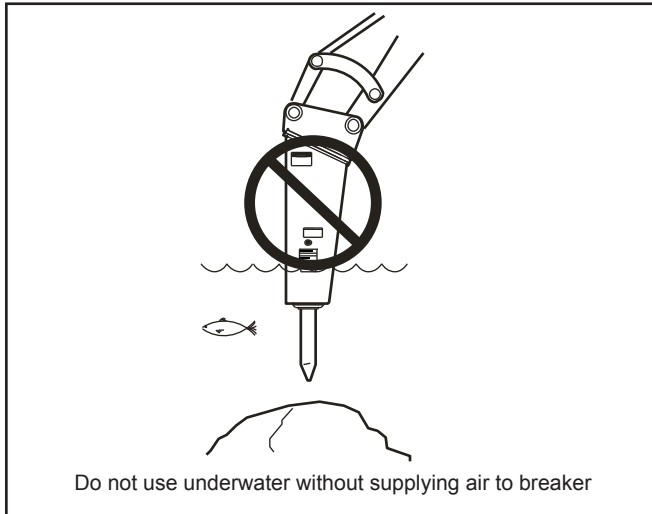


Figure 10. Underwater Restrictions

CAUTION

No part of the breaker may be submerged in water. Underwater usage of the breaker will cause internal damage to the breaker. Consult Stanley for modifications and specific warranty coverage if you have an underwater requirement.

GREASE THE BIT

Grease should be applied to the upper end of the breaker tool bit each time it is installed. Thereafter, the tool should be greased at the fitting to reduce wear in the lower body and bushings of the tool. See Greasing The Tool Bit in the sections titled Pre-Operation Procedures.

IMPORTANT

UNDERWATER USE

No part of the Stanley MB256 Breaker may be submerged in water without first modifying the breaker for underwater use. Use of the breaker underwater requires an underwater application kit and an air compressor capable of producing 150 cfm @ 75 psi. Underwater usage of the breaker without the underwater kit and air compressor will cause internal damage to the breaker. See the Accessories section of this manual to order the underwater kit.

TROUBLESHOOTING

This section describes how to find and resolve problems users may experience. If a situation occurs that is not covered, call your Stanley Customer Service representative for assistance.

⚠ WARNING

Inspecting the tool or installing parts with the hydraulic hoses connected can result in severe personal injury or equipment damage. To prevent accidental startup, disconnect the hydraulic power before beginning any inspection or installation task.

If symptoms of poor performance develop, the following chart can be used as a guide to correct the problem.

When diagnosing faults in operation of the tool, always check that the hydraulic power source is supplying the correct hydraulic flow and pressure to the tool as listed in the table below. Use a flowmeter known to be accurate. Check the flow with the hydraulic oil temperature at least 80 °F/27 °C.

PROBLEM	CAUSE	SOLUTION
Breaker will not fire.	Low hydraulic oil level.	Fill reservoir.
	No flow to breaker.	Have hydraulic circuit tested by authorized dealer/distributor per approved procedure.
	Main relief set low.	
	Internal damage.	Have unit serviced by an authorized dealer/distributor.
	Damaged quick couplers.	Replace.
Breaker runs slowly.	Low hydraulic flow	Have hydraulic circuit tested by an authorized dealer/distributor per approved procedure.
	Excessive heat build up.	
	Excessive nitrogen pressure.	Have unit serviced by an authorized dealer/distributor.
	Internal leakage.	
Breaker runs erratically.	Low or excessive back-pressure.	Have carrier serviced by an authorized dealer/distributor.
	Damaged switch or connection.	
	Relief set too low.	
	Internal damage.	
	Tool binding.	Add grease to tool shank. Do not pry while operating.
Breaker runs but at reduced power.	Low accumulator charge.	Have unit serviced by an authorized dealer/distributor.
	Excessive back-pressure.	
	Relief set too low.	
Breaker leaks oil around tool bit and tool bushing.	Lower seals failed.	Have unit serviced by an authorized dealer/distributor.
Hydraulic system overheats.	Main relief set low.	Have unit serviced by an authorized dealer/distributor.
	Insufficient cooling capability in hydraulic circuit.	
	Line/hose size too small.	
	Excessive back-pressure.	

MAINTENANCE

DAILY MAINTENANCE CHECKS

- Check for loose or missing fasteners. Tighten or replace as needed.
- Inspect tool retaining pins and pockets for wear.
- Check for hydraulic leaks at all fittings and hoses. Replace any defective hoses.
- Apply grease to the grease fitting in the lower body each morning. Grease as needed throughout the work day.

TOOL STOP AND LOWER BUSHING

Inspect the tool stop and lower bushing for excessive galling and metal pickup on the tool bit. Also check for cracks. If cracks are present, the part must be replaced.

The extent of wear of the tool stop and lower bushings and the tool bit can be checked by moving a NEW tool bit back and forth and measuring the gap between the tool bit and the lower bushing. If the gap is more than .250 in./6 mm, the upper bushing, lower bushing and tool bit should be replaced. A gap in excess of .250 in./6 mm will cause damage to the piston. Do not just replace the tool bit or the lower bushing individually as this will result in premature wear of the replaced component. It is recommended to replace ALL worn components.

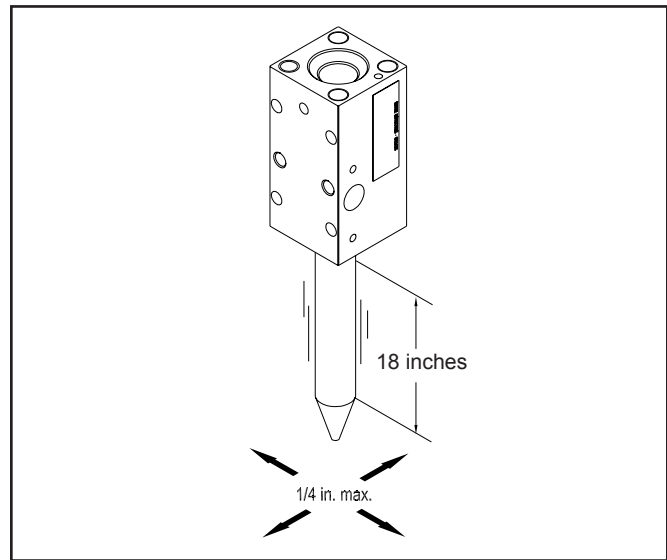


Figure 11. Measuring Tool Bit Gap

CHARGING THE ACCUMULATOR

The tools required to charge the breaker accumulators are the 505232 charge hose assy and the 28257 accumulator tester which are used with other Stanley model breakers. When charging the accumulators, make sure the tools and charge valves are clean. Dirt can contaminate the charge valves and cause leakage.

1. Remove the protective plug from the accumulator charge valve.

NOTE:

There are three accumulators on this breaker; the main accumulator, the manifold accumulator and the surge accumulator.

2. Hold the chuck end of the tester and turn the gauge fully counter clockwise to ensure the plunger inside the chuck is completely retracted.

3. Screw the tester into the breaker charge valve by turning the chuck. Do not use the gauge for turning as this will advance the plunger in the chuck. Tighten the chuck lightly against the breaker charge valve.

4. Turn the gauge clockwise to advance the plunger until a pressure is indicated on the gauge. Do not over-tighten.

5. If the pressure is correct, unscrew the gauge to retract the plunger. Then, loosen and remove the tester from the charge valve. If the pressure is not correct, proceed to step 6.

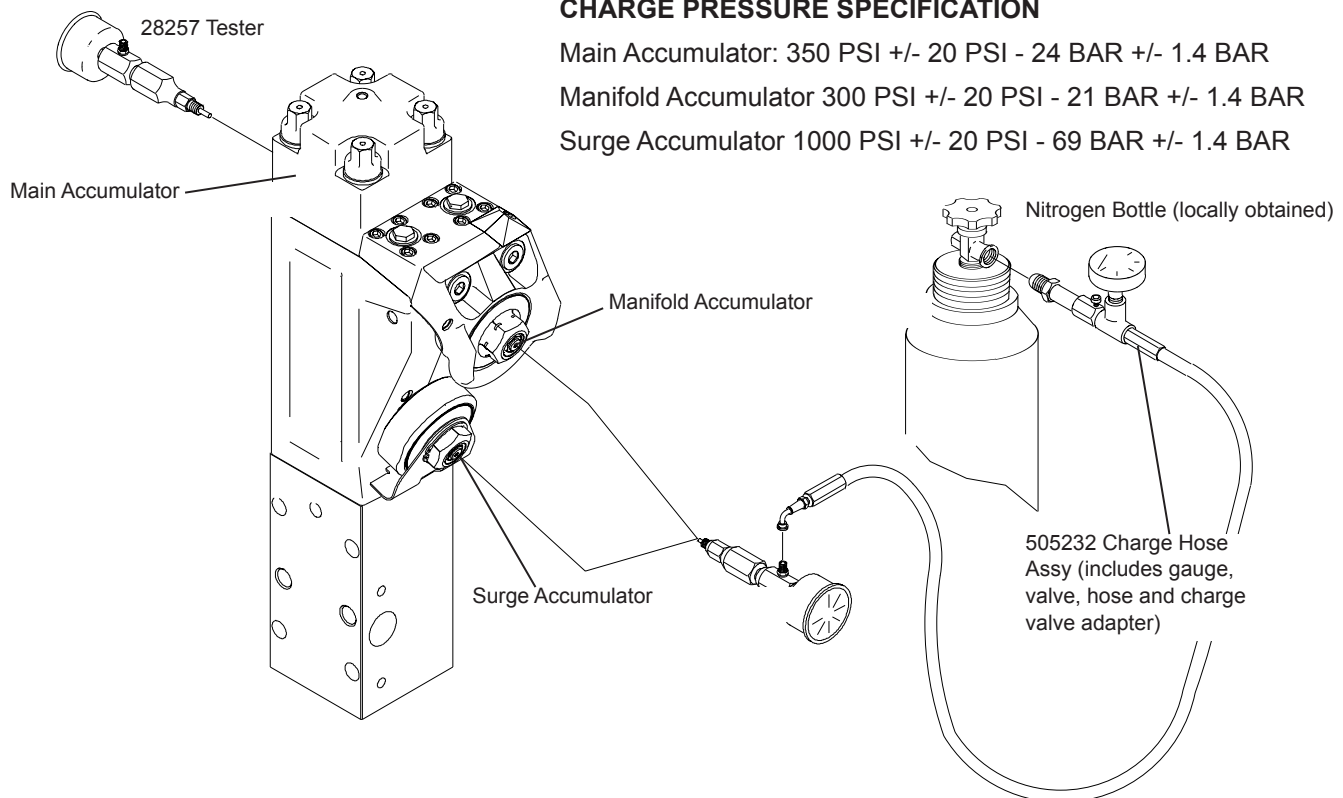
NOTE:

When disengaging the tester a "POP" of nitrogen is normal.

6. Connect the charge hose assembly to the charging valve on the tester. Make sure the valve on the charge hose assembly is closed. Open the valve on the nitrogen bottle.

7. Very slowly open the valve on the charge hose assembly and slowly meter the nitrogen into the breaker charge valve until the tester reads the correct charge pressure.

8. When the correct pressure is obtained, close the valve on the charge hose assembly and on the nitrogen bottle. Unscrew the gauge to retract the plunger. Loosen and remove the tester from the charge valve. Before replacing the protective plug, inspect the plug o-ring. If damaged or deformed, replace the plug. Apply Loctite™ 242 to plug and cap.



CHARGE PRESSURE SPECIFICATION

Main Accumulator: 350 PSI +/- 20 PSI - 24 BAR +/- 1.4 BAR

Manifold Accumulator 300 PSI +/- 20 PSI - 21 BAR +/- 1.4 BAR

Surge Accumulator 1000 PSI +/- 20 PSI - 69 BAR +/- 1.4 BAR

Figure 12. Charge Pressure Specification For the MB256

FLOW CONTROL KIT INSTRUCTIONS

The Flow Control Kit is an option for Skid Steer Models. The Flow Control Kit regulates the flow from the skid steer hydraulics to the breaker to prevent over-speeding of the breaker. Follow the instructions below to install the kit.

- Install the flow control block between the breaker and the loader's hydraulics using the 7/16 in. capscrews, washers, and nuts provided. (Torque to 41 ft-lbs)
- Connect the hoses.

The parts list for the Flow Control Kit is shown below.

HOSE ROUTINGS

R = Return. Route to the breaker OUT port.

S = Supply. Route to the breaker IN port.

P = Pressure. Route to the tractor's hydraulic pressure.

T = Tank. Route to the tractor's hydraulic reservoir.

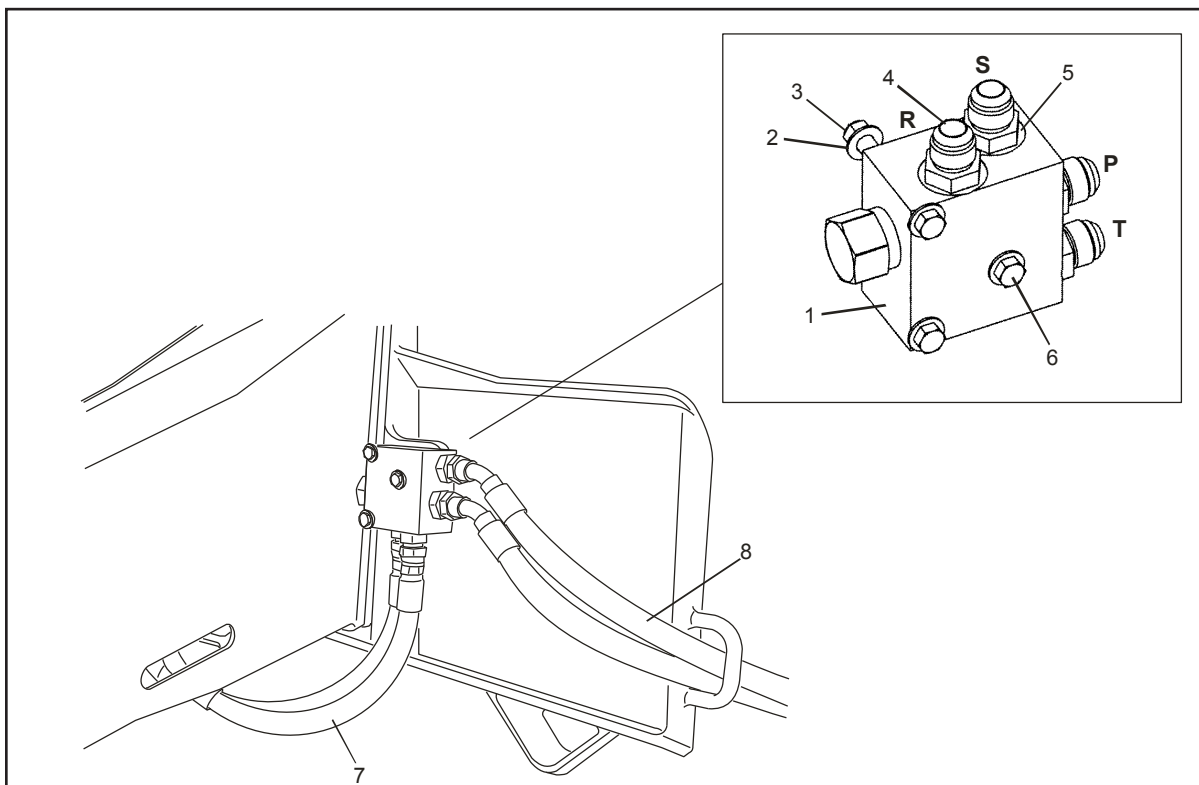
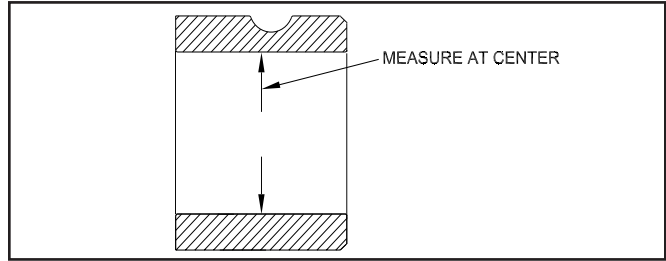


Figure 13. Flow Control Kit

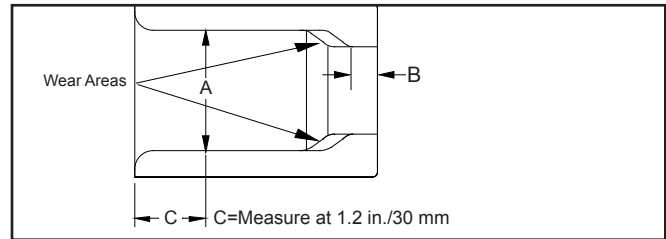
ITEM NO.	PART NO.	QTY	DESCRIPTION
1	34621	1	FLOW CONTROL BLOCK
2	34839	6	WASHER
3	371516	3	NYLOCK NUT
4	02773	4	ADAPTER
5	58653	1	ORIFICE LOCATED UNDER FITTING DESIGNATED AS "S"
6	58652	3	CAPSCREW
7	58654	2	HOSE
8	58655	2	HOSE

WEAR TOLERANCES

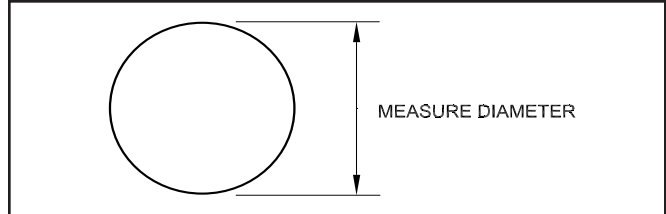
NEW	REJECT LIMIT
LOWER BUSHING (ITEM 14)	
2.525 in./64.1 mm	2.650 in./67.3 mm
TOOL STOP (ITEM 15)	
A) 2.525 in./64.1 mm Inside Diameter	A) 2.650 in./67.3 mm Inside Diameter
B) .60 in./15.2 mm Depth	B) .48 in./12 mm Depth
RETAINER PIN (ITEM 17)	
1.745 in./44 mm Outside Diameter	1.66 in./42 mm Outside Diameter
RETAINER PIN (ITEM 16)	
.25 in./6 mm Outside Diameter	.18 in./4.6 mm Outside Diameter
PISTON (ITEM 44)	
1.80 in./46 mm Depth	1.76 in./45 mm



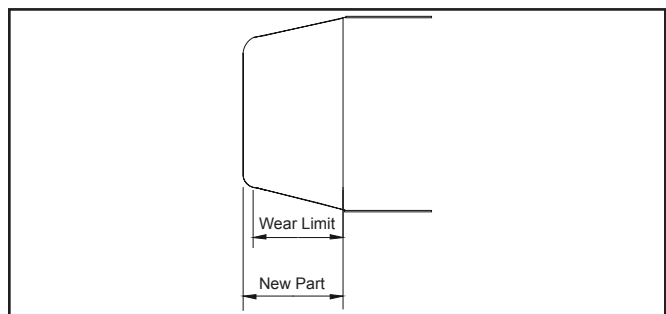
LOWER BUSHING



TOOL STOP



RETAINER PIN



PISTON

PROPER USE & CARE OF TOOL BITS

Tool bits are made and heat treated to specification.

Tool bits, however well made, are wear parts, and are used in the most destructive applications. Even when the hydraulic breaker is used properly, and the operator is an experienced one, a tool bit may become damaged. When a tool bit has been damaged, it is useful to determine the cause immediately in order to prevent the damage from occurring again.

All Stanley tool bits are machined and hardened for maximum performance. Care must be taken to maintain the tools original condition for optimum productivity and life expectancy. It is not uncommon for an operator who is unfamiliar with using a hammer to break a point. This is part of the learning experience.

Listed below are several methods to determine tool failure and will quickly aid in warranty determination.

TOOL FAILURE NOT COVERED UNDER WARRANTY

BLANK FIRING OR FREE RUNNING

This occurs when the tool is not in proper contact with the work, thus causing the energy produced by the hammer to be concentrated on the tool retainer(s) and the retainer slot(s) on the tool itself. Caution should be used to prevent the hammer from sliding off slanted surfaces or when breaking through thin material.

The illustration below is typical of the kind of breakage that occurs from excessive blank firing.

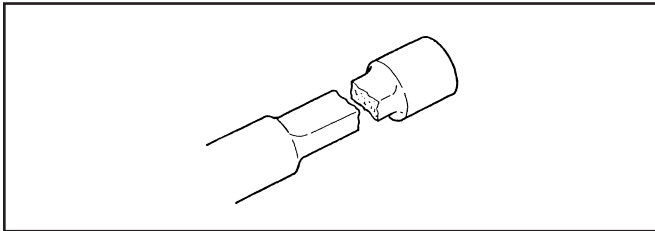


Figure 18. Excessive Blank Firing Breakage

WORN-OUT FRONT BUSHING(S) OR RETAINER PIN(S)

Worn-out front bushing(s) will cause the tool to become misaligned inside the hammer. This misalignment will cause uneven contact between the piston and tool, thus causing stress to concentrate on one particular area of the tool. This can also cause the tool to bind inside the hammer. Call your dealer for acceptable wear allowances.

Worn-out retainer pin(s) will cause uneven loading on the pin(s) themselves, causing failure of the tool or retainer pin(s). This will also cause excessive wear to the front bushing(s).

METAL-TO-METAL CONTACT

Extreme caution should be used to avoid scratches or gouges on the surface of the tool. These areas create a stress concentration Metal-to-Metal Contact point, thus weakening the tool.

Another form of metal-to-metal contact is galling, which usually occurs from the lack of lubrication. Special care should be taken to keep the tool shank lubricated every two (2) to three (3) hours.

Steel failures that were caused by surface damage take two main forms. The simplest form is caused by deep scratches on working steel surface. The broken surface has a shell pattern around the starting point of failure, similar to the one in the fatigue failure. The other parts of the broken surface are brittle. These failures work slowly through the steel until it suddenly parts completely.

The second form of failure caused by surface damage occurs when there are deep scratches on working steel surface and there was also excessive bending stress. The broken surface also shows the shell pattern, but the other parts of the broken surface are brittle and usually have a "lip" like that in a stress failure.

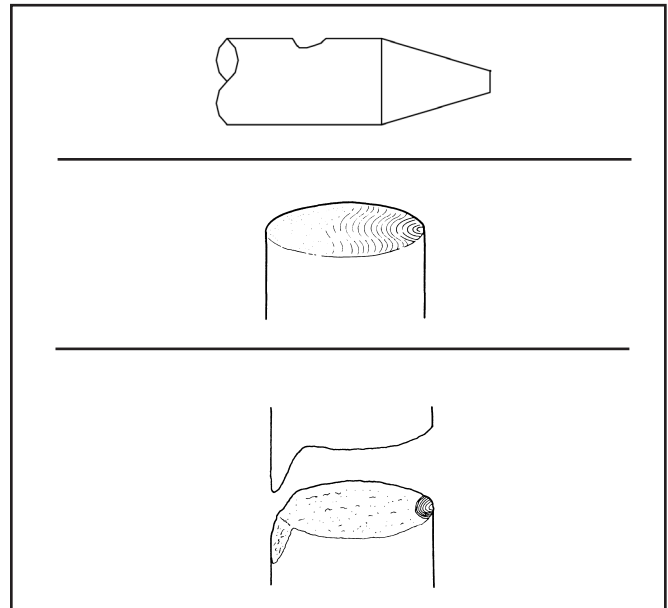


Figure 19. Metal-to-Metal Contact Examples

PROPER USE & CARE OF TOOL BITS

In its most extreme forms, the combination of surface damage and severe bending can quickly break even the best working steels.

The illustrations below show examples of severe stress breaks.

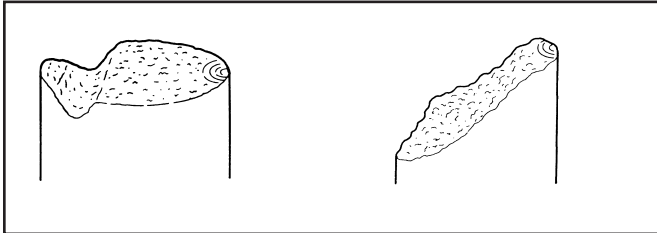


Figure 20. Severe Stress Breaks

PRYING

This is the most common cause of tool failure. Even when there is no surface damage, the stress from prying can easily break a working steel. This kind of failure generally results from any type of side pressure such as an incorrect breaking angle or from using the tool to reposition material. The tool should not be used as a pivot point when repositioning the carrier. The power generated by the carrier will far exceed the strength of the tool.

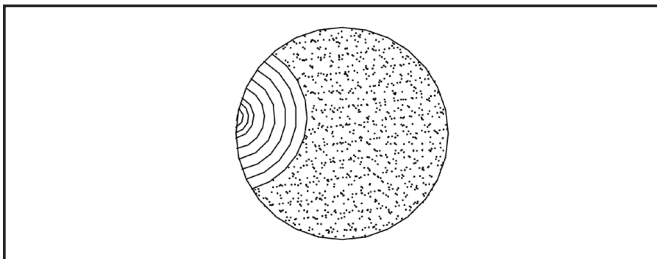


Figure 21. Prying Damage Example

Similar failures can also occur when the steel is used with extreme down pressure, and the steel repeatedly slips off the work at an angle, or the material, itself moves from under the working steel.

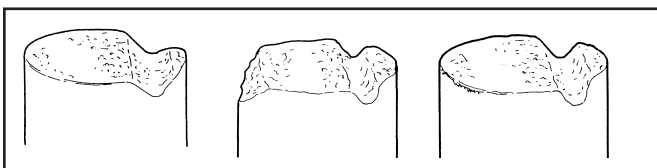


Figure 22. Extreme Down Pressure Breakage

As the next illustration shows, fatigue failures take many forms, but they all exhibit similar features. Generally, the broken surface is brittle and has a “lip” like that in the bending failure, even though, in some cases, the lip has been broken.

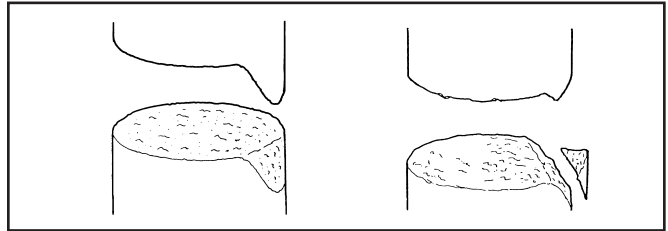


Figure 23. Fatigue Failures

CORROSION

Tools should be greased and stored out of the weather. Corrosion tends to accelerate the fatigue fractures of the tool.

MUSHROOMING

Driving the tool into a hard material for a long period of time generates an intense heat, indicated by a blue tone just above the point. This will soften the steel and cause the point to fold over or mushroom the end of the tool. Avoid hammering in one location for too long. If material does not break after a short period (approximately 15 to 20 seconds), reposition the tool.

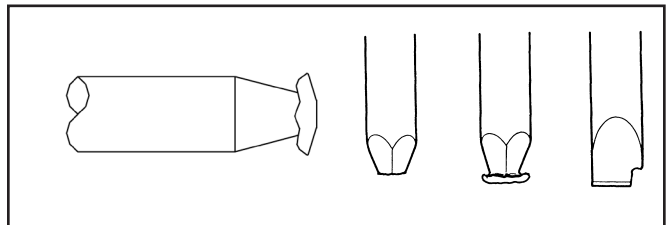


Figure 24. Mushrooming

If the overheated steel is suddenly cooled by being dipped in standing water, for example, the metal will harden and become brittle. These are some examples of failure caused by temper changes occurring on the job.

PROPER USE & CARE OF TOOL BITS

TOOL FAILURE COVERED UNDER WARRANTY

INTERNAL MATERIAL FLAW

This failure occurs when a foreign material is rolled into the steel during the manufacturing process, causing an imperfection in the internal material flaw grain. The result is an inherent weakness in the tool shank and eventual breakage.

The fatigue failure is started by the defects within the tool bit. The broken surface exhibits a shell pattern around the starting point of failure, like that in the fatigue failure. The other parts of the broken surface are brittle.

This is the only kind of tool bit failure that is always covered under warranty.

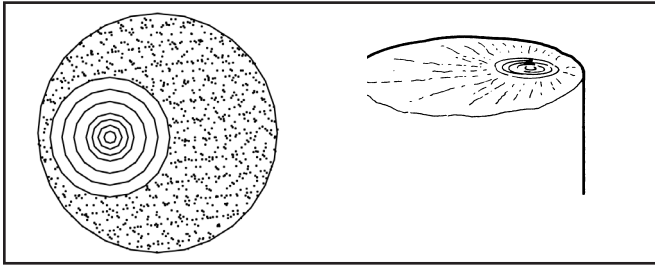


Figure 25. Internal Material Flaw

As a rule, working steel failures can be diagnosed by looking at the break itself, and at the place on the steel where the break occurred. Discoloration, like “rainbow” effects or blue bands, is the result of extreme heat.

Look for surface cracks, galling, or gouge marks. Breaks that start as surface damage have a “sea shell” pattern, with the damaged spot at the center. A large “sea shell” indicates a slow growing break; a small one indicates one compounded by side stress.

Stress failures start small, and spread into the center of the steel. In a stress failure, the coarser the grain, the greater the stress was, and the more rapid was the failure.

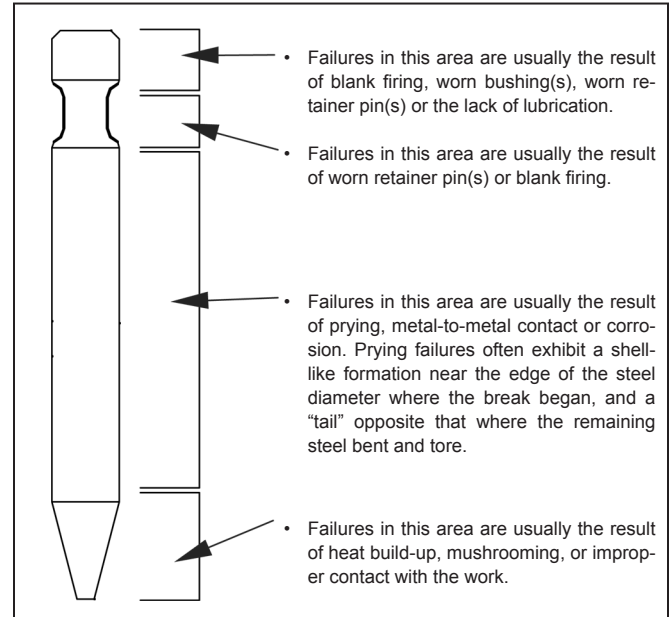
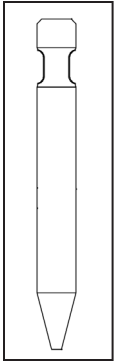


Figure 26. Diagram of Tool Bit Failures

PROPER USE & CARE OF TOOL BITS

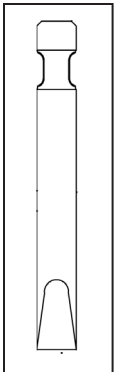
Stanley Breakers are available with several different types of tool bits. The most common are themoil, chisel and the blunt. Each of these working steels has its own purpose as described below:

To obtain the maximum production from the breaker, it is important to select the proper working steel. Consult your Stanley representative for assistance in selecting the proper working steel for your application.



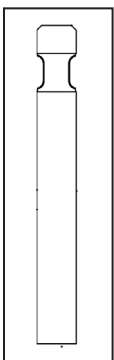
MOIL

This is by far the most popular working steel. It is a general purpose point used to break anything from concrete to hard rock. Its pencil-type point is used to fracture the material. The tool is best where penetration speed is important.



CHISEL

This style of point is used generally used for trench work, where a controlled break is required, and for rock breaking on materials with a definite line of cleavage. A chisel bit also works well in softer concretes where amoil might penetrate quickly, but not cause a fracture line.



BLUNT

This flat type of point is used to break softer material such as coal or shale. Amoil or chisel will tend to punch holes in this type of material, where a flat blunt will shatter the material. It is also useful when breaking irregularly shaped material where its broad tip makes it easier to position.

FLOW TEST PROCEDURES

The correct performance of this procedure will verify if the auxiliary circuit of the carrier is adequate to properly operate a Stanley attachment.

This procedure is generic in form. It is the end users responsibility to ensure that this procedure will work with his specific type of equipment.

If an adequate flow meter is not available contact your Stanley Hydraulic Distributor for assistance.

TEST PROCEDURE

1. With the auxiliary circuit (or kit) completely installed connect the flow meter between the tool inlet and outlet hoses.

NOTE:

Always use the hoses that are supplied for the attachment and make sure the machine hydraulic oil is between 90 to 120 °F. This will assure correct readings and adjustments.

2. With the machine setting at the mode that's going to be used to operate the attachment record the GPM _____.

Locate the correct flow for the attachment in the manual under the specification section. Adjust the machine to the correct GPM.

NOTE:

If possible, always set the machine to the highest GPM output mode. This will prevent the operator from over flowing the attachments.

3. Once the correct GPM flow is achieved fully open the restrictor on the flow meter.
4. With the machine in the attachment mode set in step 2 record the back-pressure. At this point the pressure reading on the pressure gauge is the back-pressure in the circuit. This pressure must not exceed 200 psi/13.5 bar.

Excessive back-pressure will slow the attachments operation and lead to premature seal failures and over heating.

Record the back-pressure _____ psi.

5. Close the restrictor valve on the flow meter until the attachment relief starts to crack or open. The relief valve opens when the flow rate (GPM), indicated on the flow meter begins to decline rapidly. Locate the tools operating system relief pressure in the specification section in the manual. Adjust attachment relief to specification.

NOTE:

The relief valve pressure must be greater than the operating pressure of the attachment and three times the back-pressure. Never use the relief valve to control the flow rate in the circuit. Cracking pressure means the loss of 4 or more GPM.

Record the relief cracking pressure _____ psi.

Example:

Operation pressure of a breaker is 2700 psi. Back-pressure is 150 psi. A good rule to follow when setting the relief, multiply the back pressure by 3 then add this number to the operation pressure of the attachment.

Operating Pressure	2700 psi
Back-pressure	450 psi
Operating pressure of the tool	3150 psi

The relief valve setting must be greater than the estimated operating pressure of the tool. If the setting is lower, damage to the circuit may occur. Excess heat will be generated in the circuit which will damage the attachment and carrier.

FLOW TEST PROCEDURES

HEAT LOAD TEST

With the installation kit properly installed and adjusted per the above procedure, conduct the heat load test as follows.

1. Connect the flow meter between the tool inlet and outlet hoses.
2. With the carrier set in the attachment mode, restrict the flow meter until a pressure of 1000 psi is achieved. This pressure must be maintained throughout the heat test.

NOTE:

Closing of the restrictor may be required as the temperature increases.

Monitor the oil temperature from the flow meter until no change is noted. Record the time required for oil to stabilize. Record the surrounding temperature (ambient temperature). Record the time required to stabilize _____ minutes.

Record the stabilized oil temperature _____ °F.

Record the ambient temperature _____ °F.

The “heat rise” is calculated as the stabilized temperature minus the ambient temperature.

Example:

Stabilized Temperature	160°
Ambient Temperature	-80°
Heat Rise	80°

The normal operating temperature range of this circuit will be the typical ambient temperature range for the geographical area plus the heat rise calculated above. Ensure that the operating temperature range is lower than 180° for optimum operation of the attachment.

TROUBLESHOOTING

If adequate pump flow is available from the carrier pump(s) but is not getting to the attachment, consult your service representative and review the following:

1. Attachment valve(s) are not actuating. Review all electrical connections that are part of the attachment kit.
2. Ensure proper voltage to the valve(s).
3. Ensure the REG port of the valve is not blocked.
4. Check to make sure the carriers main relief is set to the manufacturers recommendation and that this value is equal or greater than the attachment circuit relief.
5. If the valve will not turn off, check the drain (tank) line of the valve to ensure that the pressure is 50 psi or less.

DEFINITION OF TERMS

Tool:	The hydraulic attachment that the auxiliary circuit is intended to power. These may include hydraulic breakers, compactors, shears, etc.
Operating Pressure:	That pressure at which the tool will naturally operate without influence of outside pressure relief mechanisms. This pressure is an operating characteristic of the tool and cannot be altered by the end user without changing the tool design.
Relief Pressure:	The relief pressure is that pressure at which the circuit will dump fluid in order to protect itself from damage.
Back Pressure:	The pressure at the tool's connection to the return circuit of the carrier.
Flow Meter:	Instrument for testing the operating characteristics of a hydraulic circuit. The data usually available from this device are pressure (psi/bar), flow (gpm/lpm) and temperature (°F/°C).
Restrictor Valve:	A valve on the flow meter which allows the user to simulate an operating tool by adding a pressure load (through restriction) to the circuit. This feature is used to evaluate relief settings and flow ratings at pressure.
V60/V65/V100 Valves:	A priority flow control valve manufactured by Stanley Hydraulic Tools. Allows for optimum operation of any attachment by providing the proper amount of flow for operation of the tool the "priority" aspect allows the attachment to function properly if another control function is activated.
Inlet Flow:	The hydraulic oil supplied to the IN port of the tool or valve.
Regulated Flow:	The flow of oil supplied to the tool by the V60/V100 valve.
By-Pass Flow:	The oil flow that is supplied by the carriers pump, but not used in the operation of the attachment. By-pass flow equals inlet flow (to the valve) minus the regulated flow.
Pressure Line:	The hydraulic line(s) that supply pressurized oil from the pump to the valve or tool.
Return Line:	The hydraulic line that connects the OUT port of the tool to the tank circuit of the carrier.
Cracking Pressure:	The pressure at which the relief valve starts to open. Can be seen by a drop in the flow rate as shown by the flow meter.
Full Open Pressure:	The pressure at which the relief valve is completely open dumping all system flow to the tank.
Ambient Air Temperature:	The temperature of the outside air.
Stabilized Temperature:	The temperature at which the carrier hydraulic system temperature will stop rising during testing or operation.

SPECIFICATIONS

MB256

Dimensions and Weights

Weight w/Tool Bit, & Mounting Bracket.....	493 lbs / 224 kg
Length w/Tool Bit & Mounting Bracket.....	51 in. / 1295 mm
Tool Working Length.....	15 in. / 381 mm
Tool Diameter.....	2.5 in. / 64 mm
Hydraulic Pressure (working).....	1400-1700 psi / 96-117 bar
Flow Range	
Minimum.....	9 gpm / 34 lpm
Maximum.....	16 gpm / 60 lpm
System Relief (min. cracking).....	2500 psi / 172 bar
Return Line Pressure (max.).....	200 psi / 13.8 bar
Operating Oil Temperature (max.).....	190°F / 88°C
Adapter Fitting Size.....	-12 SAE O-Ring
Recommended Min. Hose ID.....	3/4 in.
Blows Per Minute.....	700 min. / 1200 max.
Impact Energy Class.....	350 ft lb / 475 J
Sound Power Level.....	122 dBA
Carrier Size (Skidsteer).....	3000-7000 lb / 1362-3178 kg
Carrier Size (Mini Excavator).....	4000-10000 lb / 1816-4500 kg
Carrier Size (Backhoe).....	4000-10000 lb / 1816-4500 kg

NOTE: Weights, dimensions and operating specifications listed on this sheet are subject to change without notice. Where specifications are critical to your application, please consult the dealer.

ACCESSORIES

Description..... Part No.

Tool Bits

Asphalt Cutter, Cross-cut.....	25170
Asphalt Cutter, Line-cut.....	25171
Conical.....	27281
Chisel, Cross-cut.....	27282
Chisel, Line-cut.....	27283
Blunt.....	27284
Tamping Pad Assy 12 in. x 12 in.....	27286

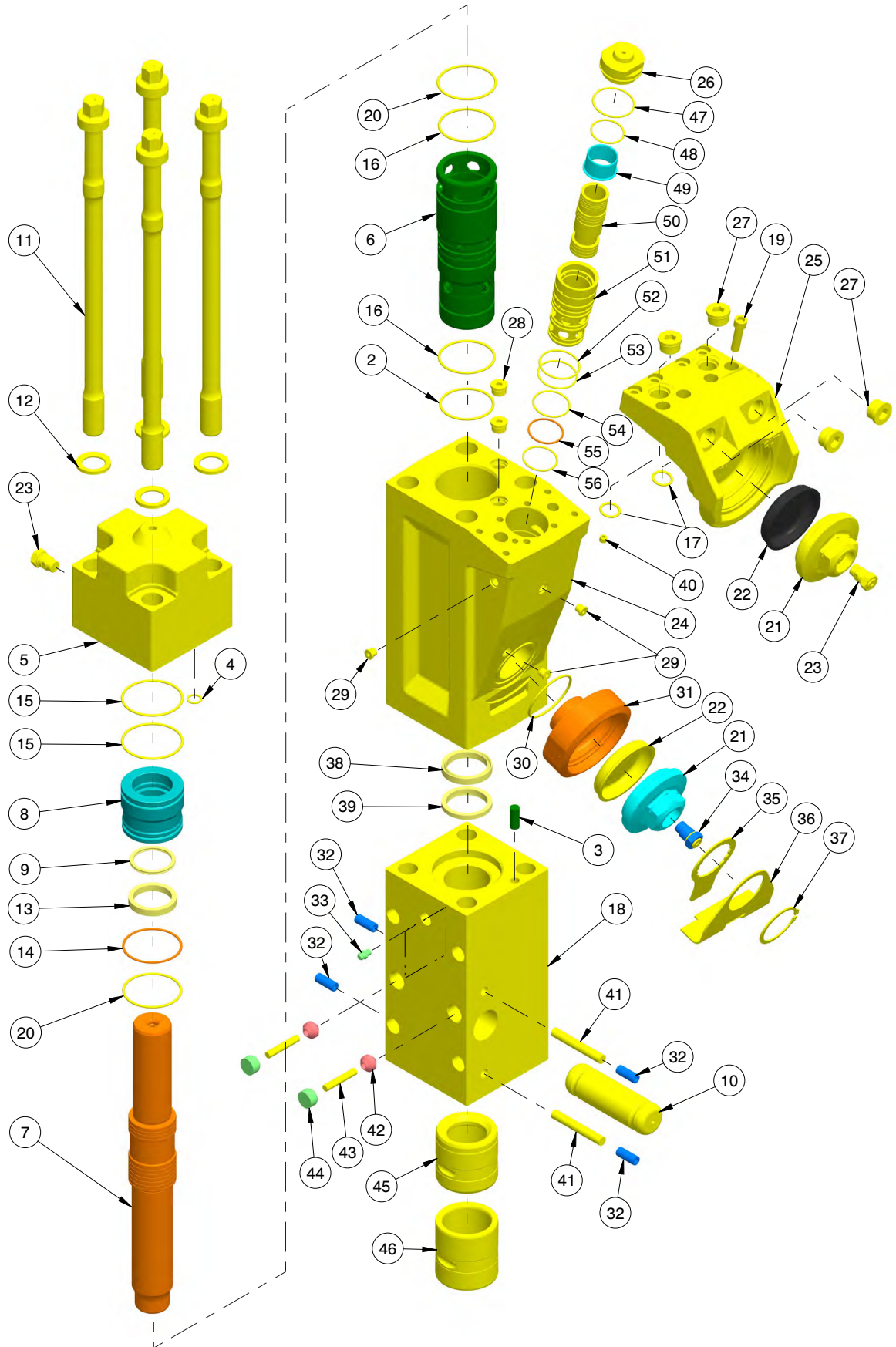
Miscellaneous

Attaching Kits.....	Consult Dealer
Adapter Assembly.....	33300
Charge Hose Assembly (Includes Valve and Hose for Nitrogen Tank & Charge Valve Connections).....	505232
Charge Kit Assembly (Includes p/n 505232, 28257 and 372047 Charge Kit Box).....	34892
Accumulator Tester.....	28257
Puller.....	40374
Conversion Kit to Adapt Breaker to Skidsteer.....	56599
Seal Installation Tool.....	29560
Piston Sleeve Installation Tool.....	29564
O-Ring Tool Kit.....	04337
Lifting Ring.....	372110

TORQUE TABLE

Item No.	Illustration	Description	Apply	Ft/Lb	Nm
61	Power Cell	Tie Rod	Kopr Kote™	500	678
58	Power Cell	Charge Valve	Loctite™ 242	75	101
26	Power Cell	Capscrew	Loctite™ 242	60	81
74	Side Plates	Nut	Kopr Kote™	280	380
66	Power Cell	Accumulator Cap	Anti-Seize	600	813

MB256 POWER CELL PARTS ILLUSTRATION



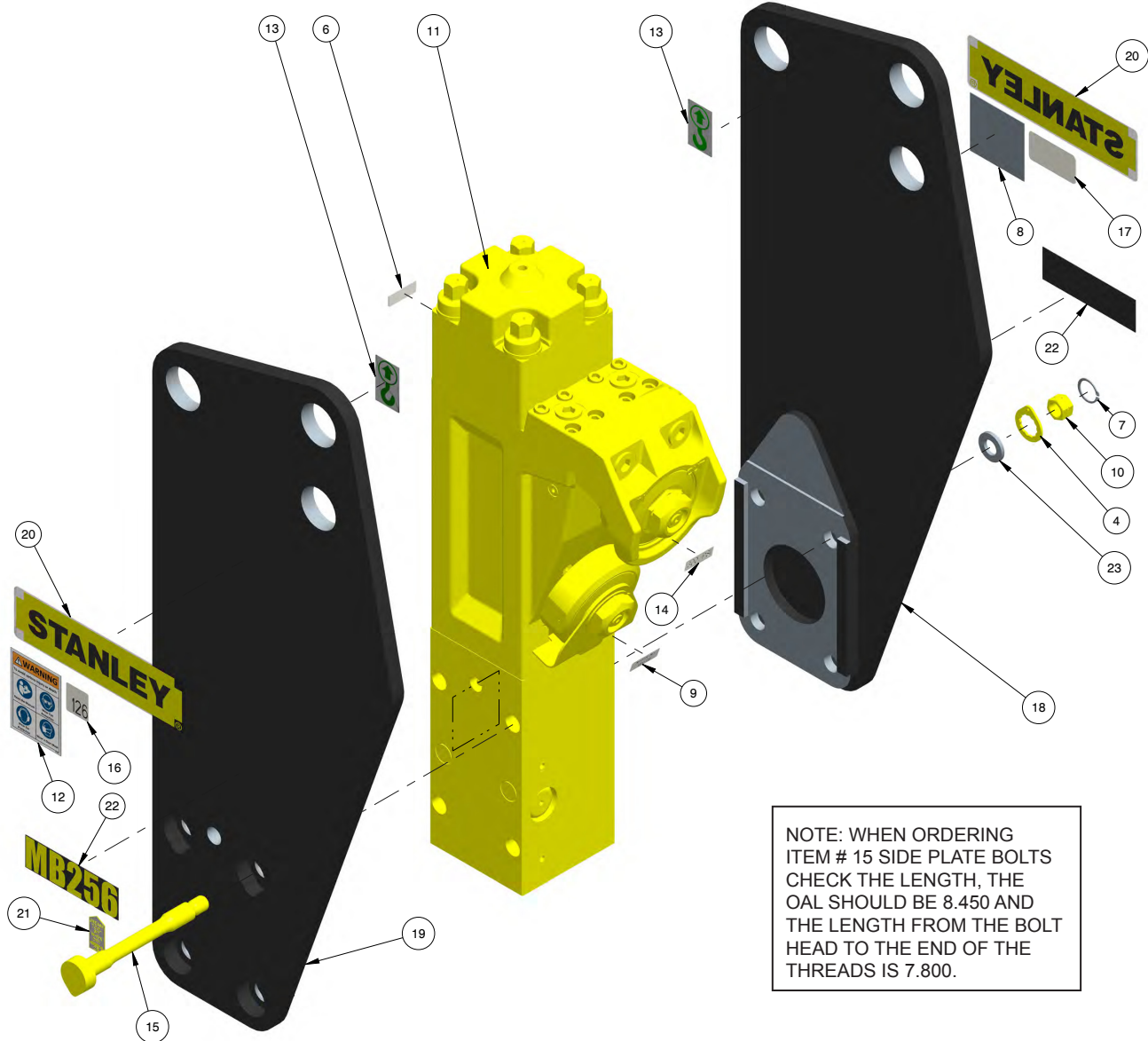
MB256 POWER CELL PARTS LIST

Item	MB256	Qty	Description
2	13854	1	O-RING 2-5/8 X 2-7/8 X 1/8 -231
3	16549	1	DOWEL PIN 1/2 X 1-1/4 LG.
4	19095	1	O-RING 5/8 X 13/16 X 3/32 -114
5	22834	1	UPPER ACCUMULATOR
6	22908	1	PISTON SLEEVE
7	22940	1	PISTON
8	22943	1	SEAL CARRIER
9	22946	1	MODIFIED QUAD RING
10	22971	1	TOOL RETAINER PIN
11	22981	4	TIE ROD
12	22993	4	TIE ROD WASHER
13	22995	1	ROD SEAL (DISOGRIN #001-143)
14	22996	1	BACK-UP RING -233
15	22998	2	O-RING 3 X 3-1/4 X 1/8 -234
16	23012	2	O-RING 2-3/4 X 3 X 1/8 -232
17	23324	2	O-RING 7/8 X 1-1/8 X 1/8 -212
18	23461	1	LOWER BODY ASSEMBLY (INCLUDES ITEMS 32, 33 & 41 thru 46)
19	23492	8	HSHCS 7/16-14 X 1-3/4
20	24115	2	O-RING 2-7/8 X 3-1/8 X 1/8 -233
21	27267	1	ACCUMULATOR PLUG
22	27268	1	ACCUMULATOR DIAPHRAGM
23	32165	2	CHARGE VALVE ASSY
24	34520	1	MAIN BODY ASSY (INCLUDES ITEMS 21, 22 28 thru 31 and 34 thru 39)
25	66117	1	ACCUMULATOR MANIFOLD
26	22966	1	VALVE CAP
27	350223	4	HOLLOW HEX PLUG -12 SAE
28	350237	2	HOLLOW HEX PLUG
29	350041	5	HOLLOW HEX PLUG
30	23012	2	O-RING
31	34020	1	ACCUMULATOR SCREEN
32	23011	4	SPIROL PIN
33	372003	1	GREASE FITTING
34	32165	1	CHARGE VALVE ASSY.
35	34101	1	LOCKPLATE
36	34113	1	LOCK TAB
37	34100	1	RETAINING RING
38	22999	1	ROD SEAL
39	23000	1	ROD WIPER
40	00961	1	PIPE PLUG
41	22978	2	DOWEL PIN
42	09728	2	PIN RETAINER SPRING
43	09764	2	PIN RETAINER

Item	MB256	Qty	Description
44	22980	2	RETAINER SPRING
45	23178	1	TOOL STOP
46	22979	1	LOWER BUSHING
47	02177	1	O-RING
48	26201	1	O-RING
49	22954	1	SPOOL SLEEVE
50	22951	1	VALVE SPOOL
51	22947	1	VALVE SLEEVE
52	23008	1	O-RING
53	23006	1	O-RING
54	23004	1	O-RING
55	23003	1	BACK UP RING
56	19084	1	O-RING
	38718	1	POWERCELL ASSY
	66450	1	VALVE ASSY (INCLUDES ITEMS 26 & 47 thru 56)
	66121	1	ACCUMULATOR ASSY (INCLUDED ITEMS 21, 22, 23, 25 also item 14 from side plate illustration) and (04858 Hex Plug)
	66407	1	SURGE ACCUMULATOR ASSY (INCLUDES ITEMS 21, 22, 31, 34)

MB256 SEAL KIT P/N-23460

MB25600 SIDE PLATES

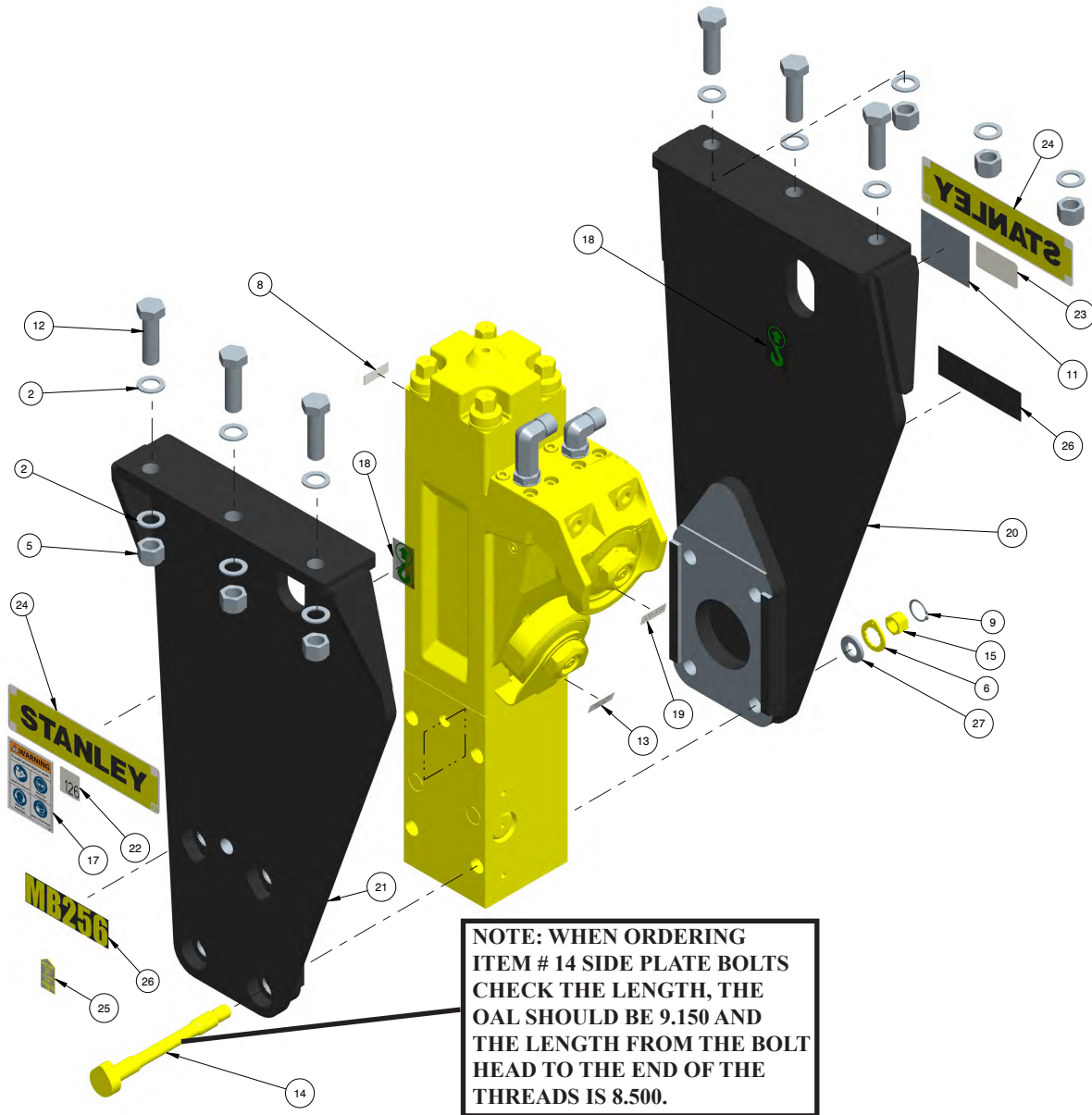


NOTE: WHEN ORDERING ITEM # 15 SIDE PLATE BOLTS CHECK THE LENGTH, THE OAL SHOULD BE 8.450 AND THE LENGTH FROM THE BOLT HEAD TO THE END OF THE THREADS IS 7.800.

ITEM	P/N	QTY	DESCRIPTION
1	02112	1	ADAPTER 0507-12-12
2	02773	1	ADAPTER 12 F50X
3	18840	1	TAPERED PLUG
4	23573	4	LOCKPLATE
5	27281	1	CONICAL POINT (Not Pictured)
6	27711	1	PRESSURE SPEC STICKER 350 PSI
7	27995	4	RETAINING RING EXTERNAL
8	29177	1	"CE" PLATE MB25600
9	34522	1	PRESSURE SPEC STICKER - 1000 PSI
10	37916	4	SIDEPLATE NUT
11	38718	1	POWERCELL ASSY.
12	47351	1	DECAL, COMPOSITE WARNING

ITEM	P/N	QTY	DESCRIPTION
13	47352	2	DECAL, LIFT POINT
14	56595	1	PRESSURE SPEC STICKER 300 PSI
15	62374	4	SIDEPLATE BOLT (Check Length Before Ordering) See Note on Drawing
16	66218	1	GUARANTEED SOUND POWER LEVEL
17	66764	1	DECAL, USA ORIGIN 3"
18	69523	1	SIDEPLATE WELDMENT - LH
19	69524	1	SIDEPLATE WELDMENT - RH
20	70752	2	DECAL, "STANLEY" 11 INCH
21	72074	1	DECAL, GREASE
22	73004	2	DECAL, MB256
23	371052	4	WASHER 3/4" I.D.

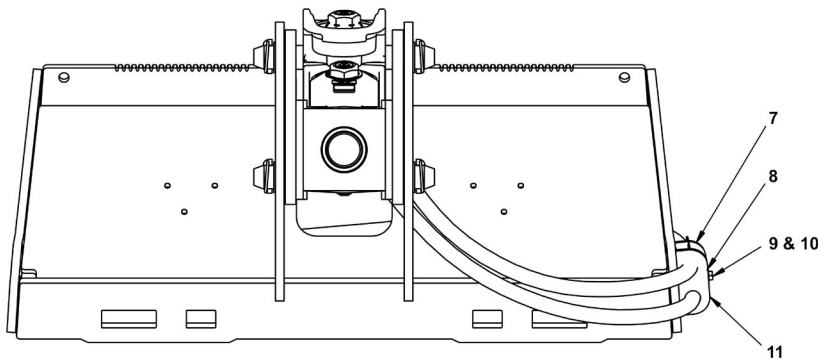
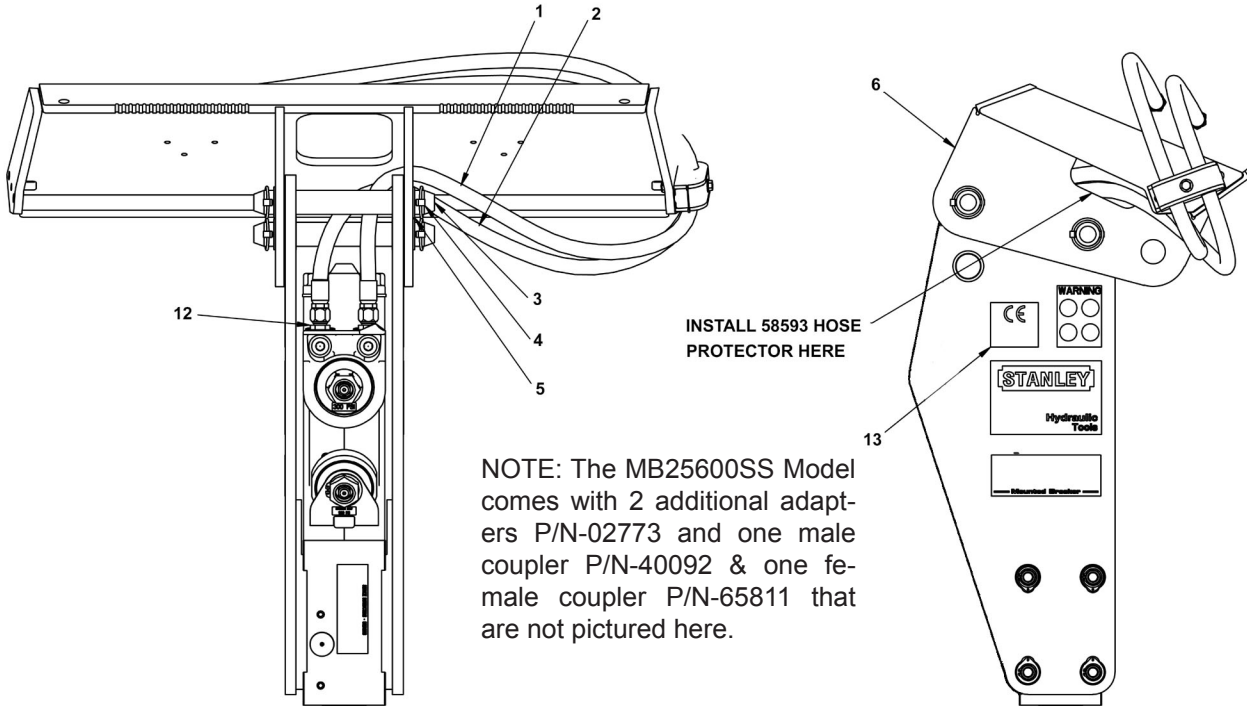
MB25603 SIDE PLATE PARTS ILLUSTRATION



ITEM	P/N	QTY	DESCRIPTION
2	17559	12	WASHER 7/8" I.D.
5	22181	6	NYLOCK NUT 7/8-9UNC
6	23573	4	LOCKPLATE
8	27711	1	PRESSURE SPEC STICKER - 350 PSI
9	27995	4	RETAINING RING EXTERNAL
11	29177	1	"CE" PLATE MB25600
12	30949	6	HHCS 7/8-9UNC X 3.000
13	34522	1	PRESSURE SPEC STICKER - 1000 PSI
14	37915	4	SIDEPLATE BOLT (Check Length Before Ordering) See Note
15	37916	4	SIDEPLATE NUT

ITEM	P/N	QTY	DESCRIPTION
17	47351	1	DECAL, COMPOSITE WARNING
18	47352	2	DECAL, LIFT POINT
19	56595	1	PRESSURE SPEC STICKER - 300 PSI
20	59061	1	SIDEPLATE WELDMENT LH
21	59062	1	SIDEPLATE WELDMENT RH
22	66218	1	GUARANTEED SOUND POWER LEVEL
23	66764	1	DECAL, USA ORIGIN 3"
24	70752	2	DECAL, "STANLEY" 11 INCH
25	72074	1	DECAL, GREASE
26	73004	2	DECAL, MB256
27	371052	4	WASHER 3/4" I.D.

SS MODEL MOUNTING BRACKETS



Item	MB256	Qty	Description
1	65918	1	Hose Assy
2	65918	1	Hose Assy
3	28400	2	Boom Pin
4	372089	4	Lynch Pin
5	371053	4	Washer
6	32387	1	Adapter Weldment Bracket
7	380522	1	Hose Clamp
8	34839	2	Washer
9	34837	1	Capscrew
10	371516	1	Nut
11	380526	1	Grommet

Item	MB256	Qty	Description
12	02773	4	Adapter
13	41742	1	CE Plate
14	70476	1	Stanley Decal (not pictured)
	40092	1	Coupler, Male -Not pictured
	65811	1	Coupler, Female -- Not pictured

STANLEY®

Stanley Hydraulic Tools
3810 SE Naef Road
Milwaukie, Oregon 97267
503-659-5660 / Fax 503-652-1780
www.stanleyhydraulics.com