

STANLEY®

Stanley MB/XP2015

HYDRAULIC BREAKER Parts Manual



Contents

Housing Unit.....	4
Accumulator.....	6
Main Valve.....	7
Pressure Control Valve.....	8
Tie Rods.....	10
Body Parts.....	11
Front Head.....	13
Lower Tool Bushing.....	14
Tool.....	15
Seal Set.....	16
Service Kit.....	17
Service Kit 2.....	18
Manual Greasing.....	19
Greasing Device Kit.....	20
Greasing Device.....	22

GENUINE STANLEY SPARE PARTS

Stanley Genuine spare parts are designed and manufactured by using the latest technological knowledge and engineering skills. Stanley spare parts are made of the best available materials with the most advanced manufacturing techniques.

It is important that you use only genuine Stanley spare parts, to ensure easy operation maintenance and repair of the product. Please note that eventual warranty claims will be handled only if you have used genuine Stanley parts in your Stanley product.

LOCATION OF THE SERIAL NUMBER

It's important to make correct reference to the serial number of the product when ordering spare parts. Identification of serial number is the only proper means of maintaining and identifying parts for a specific product. The location of equipment serial number is pointed in "Operation and Maintenance" manual.

SPARE PART ORDERS

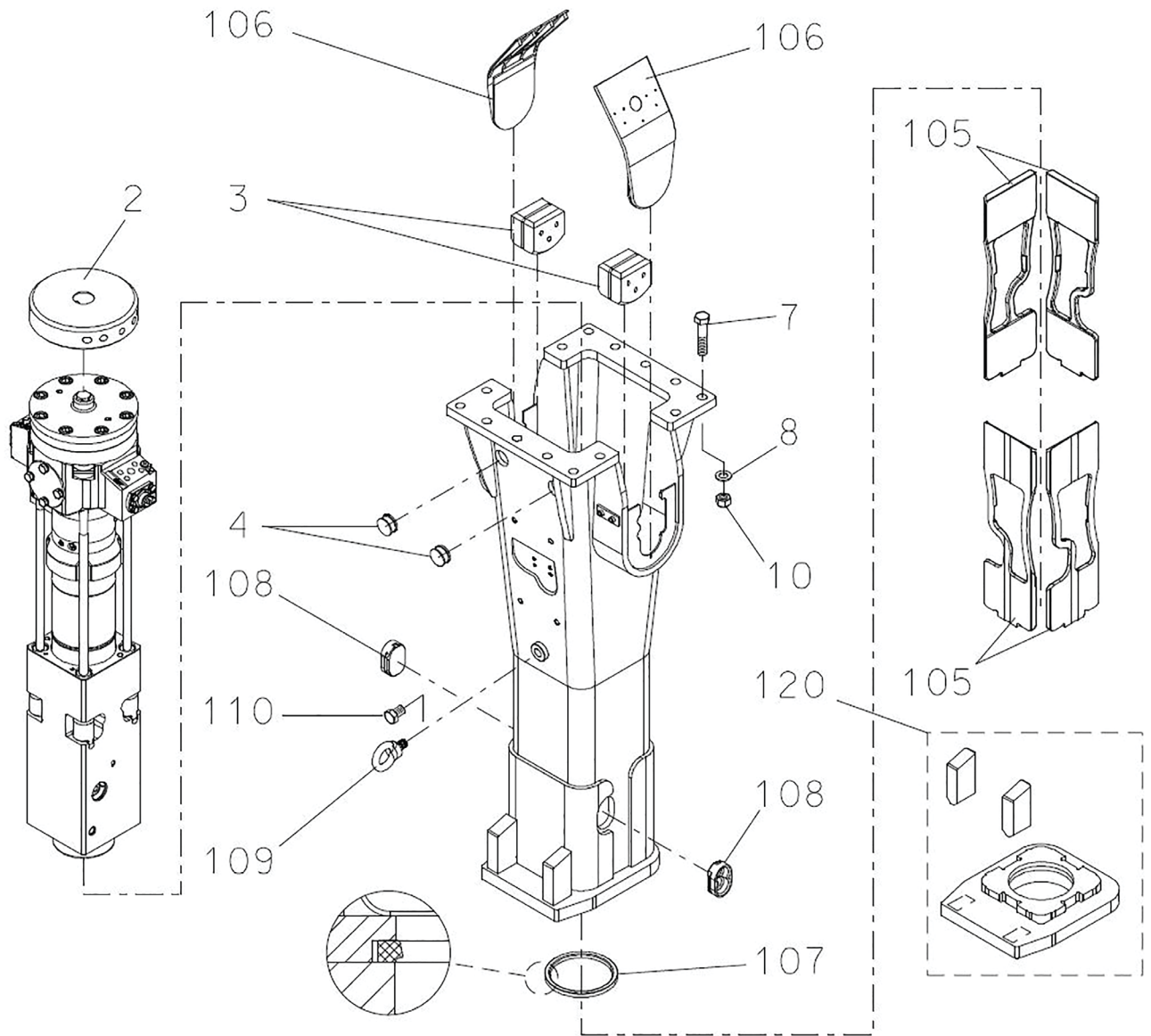
Quick spare part deliveries are secured by exact orders.

Required Information:

- Name of customer and contact person
- Order number (when available)
- Delivery address
- Mode of delivery (air mail etc.)
- Required delivery date
- Invoicing address
- Model and serial number of the product
- Name, number and required amount of spare parts

PARTS

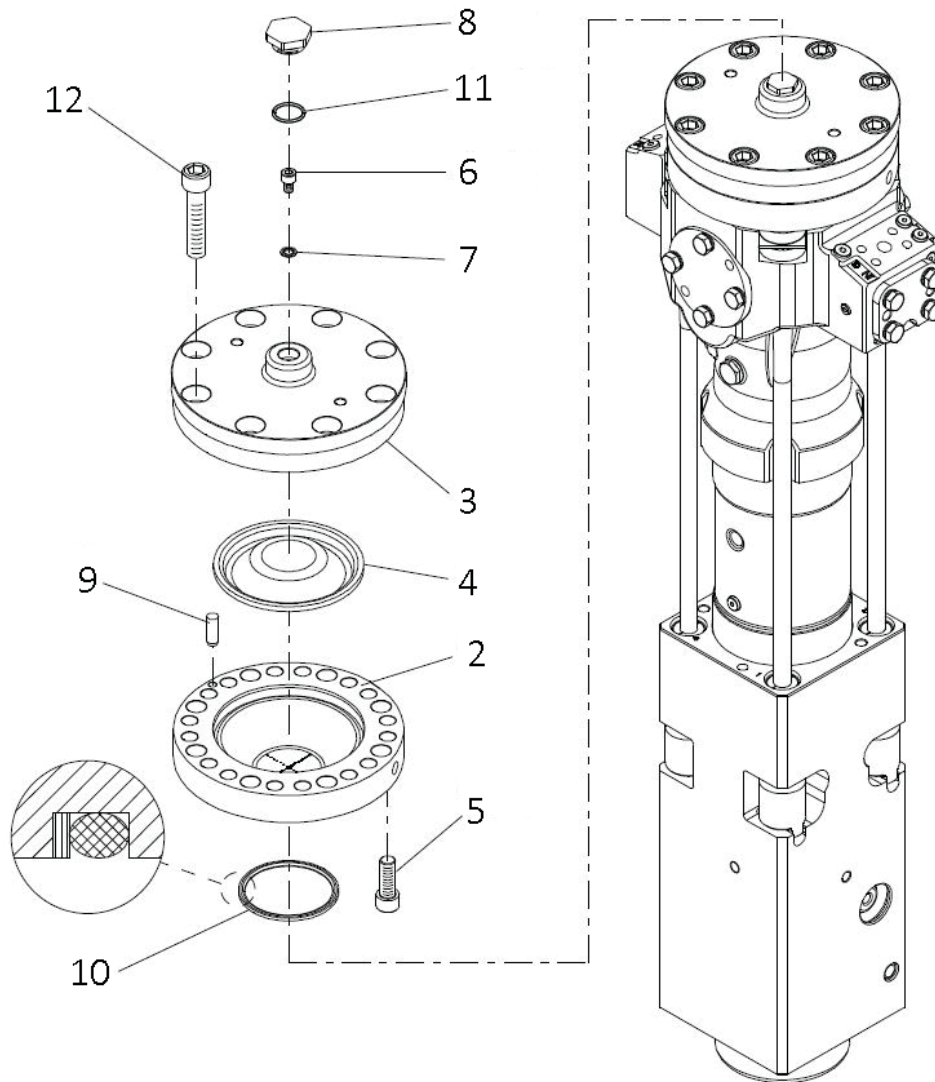
HOUSING UNIT



HOUSING UNIT

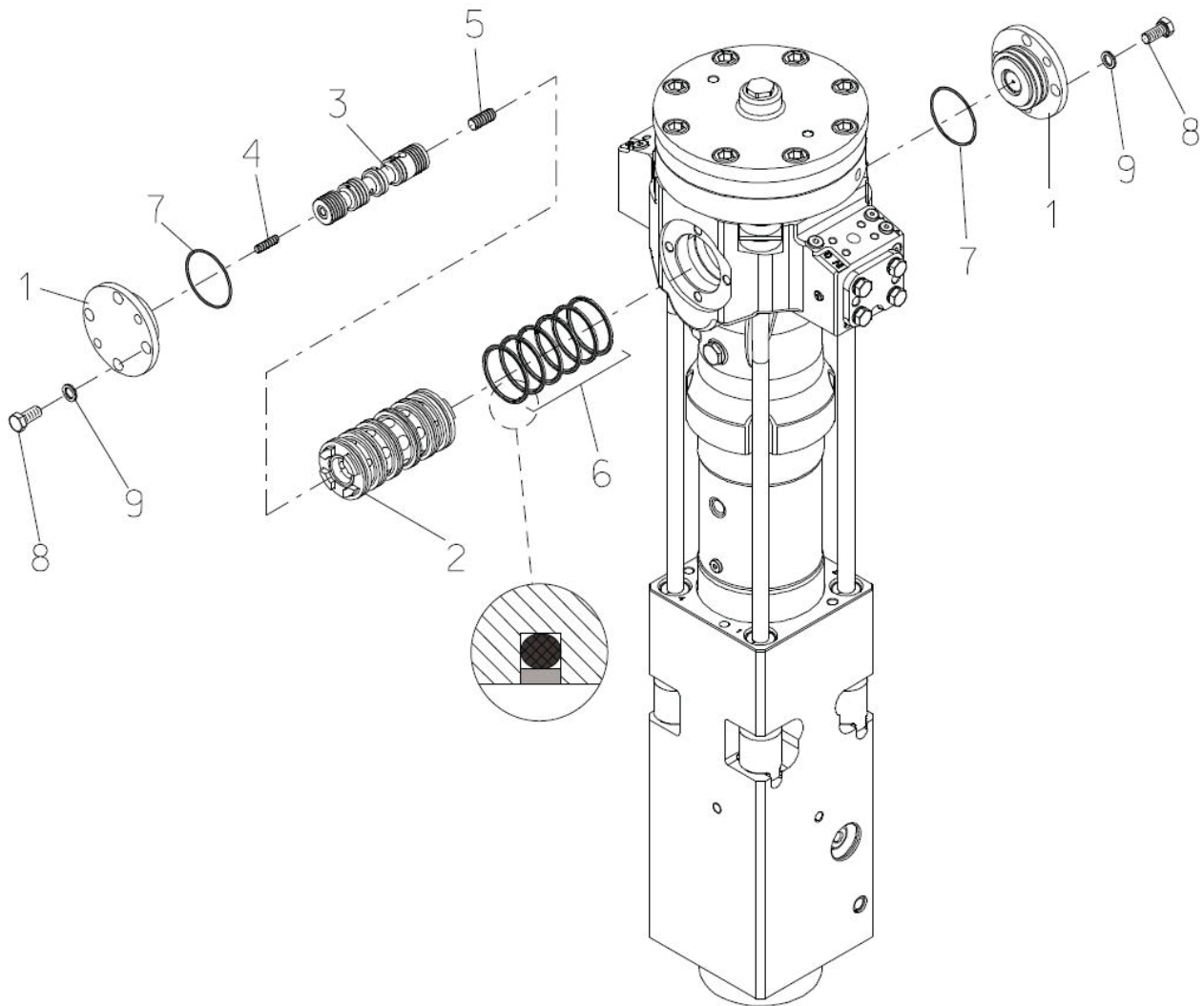
Item	Description	Part no.	Specification	Note	Qty
1	Housing (incl. parts 105-110)	80626			1
2	Buffer	76902			1
3	Pad	76903			2
4	Rubber plug	76904			2
7	Hex. screw	76905	M24x110-12.9 ISO 4014		14
8	Washer	76906	25 ISO 7416		14
9	Lock nut	76907	M24-12 DIN 985		14
105	Wear plate	76908			4
106	Shield plate	76909			2
107	Seal	76910			1
108	Rubber plug	76911			2
109	Lifting eye	76912	M24 DIN 580		1
110	Hex. screw	76913	M24x35-8.8 ISO 4017		1
120	Wear parts	76914			1
200	Safety label set	76832			1

ACCUMULATOR



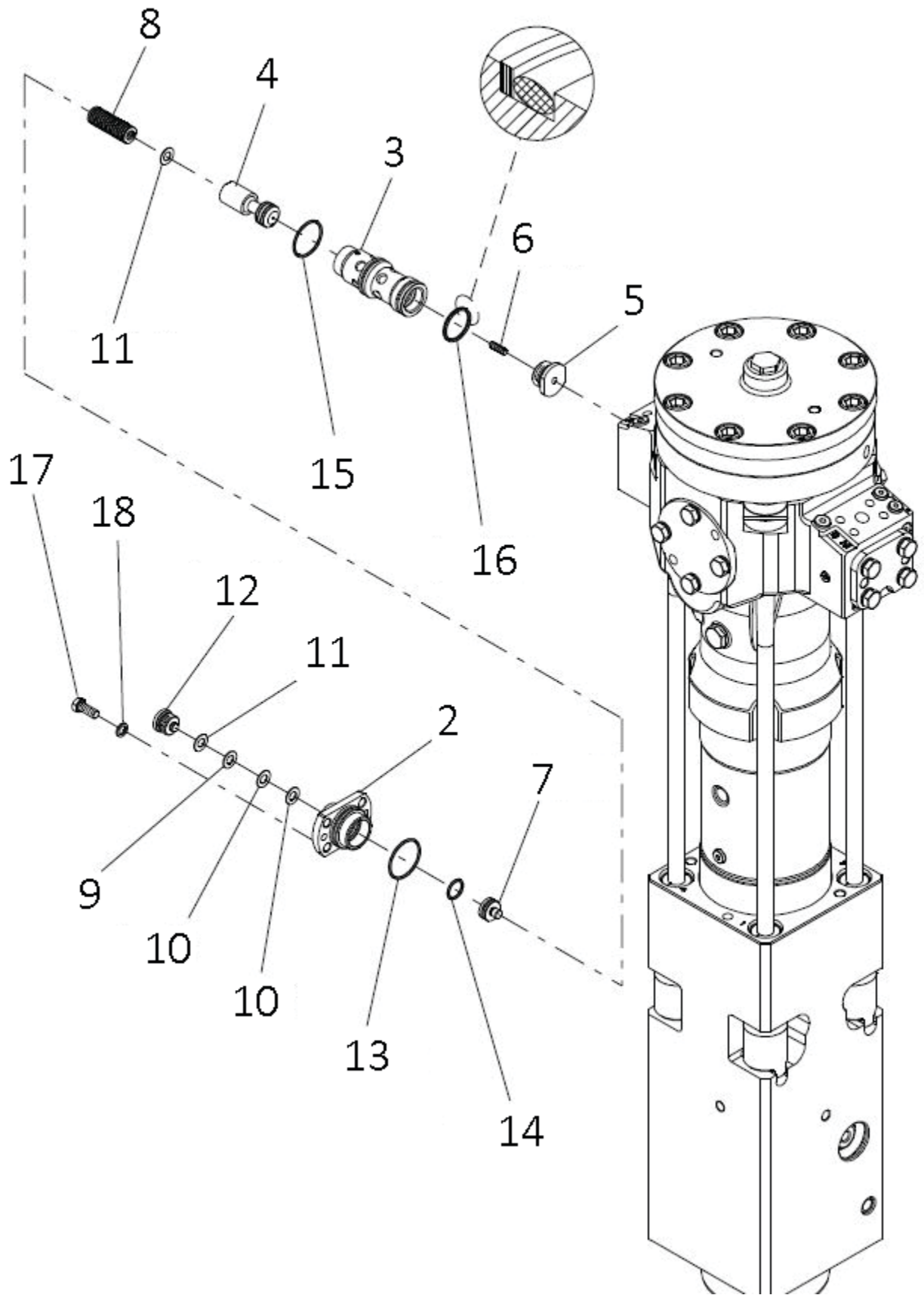
Item	Description	Part no.	Specification	Note	Qty
1	Accumulator (incl. parts 2-11)	76916			1
2	Accumulator bottom	76917			1
3	Accumulator cover	76918			1
4	Membrane	76919			1
5	Accumulator screw	76920	M20x55-8.8 ISO 4762		16
6	Filling plug	76921			1
7	Usit-ring	76846	8-13.9-1	*	1
8	Shield plug	76922			1
9	Parallel pin	76923	10m6x30 ISO 8734		1
10	Seal	76924	D114	*	1
11	O-ring	76844	D23	*	1
12	Accumulator screw	76925	M24x110-8.8 ISO 4762		8
	(*) included in seal set				

MAIN VALVE



Item	Description	Part no.	Specification	Note	Qty
1	Cover	76926			2
2	Main valve bushing	76927			1
3	Main spool	76928			1
4	Spool	76929			1
5	Spool	76930			1
6	Seal	76931		*	6
7	O-ring	76932	D85	*	2
8	Hex. screw	76933	M16x35-8.8 ISO 4017		8
9	Lock washer	76852	M16 NORD-LOCK		8
	(*) included in seal set				

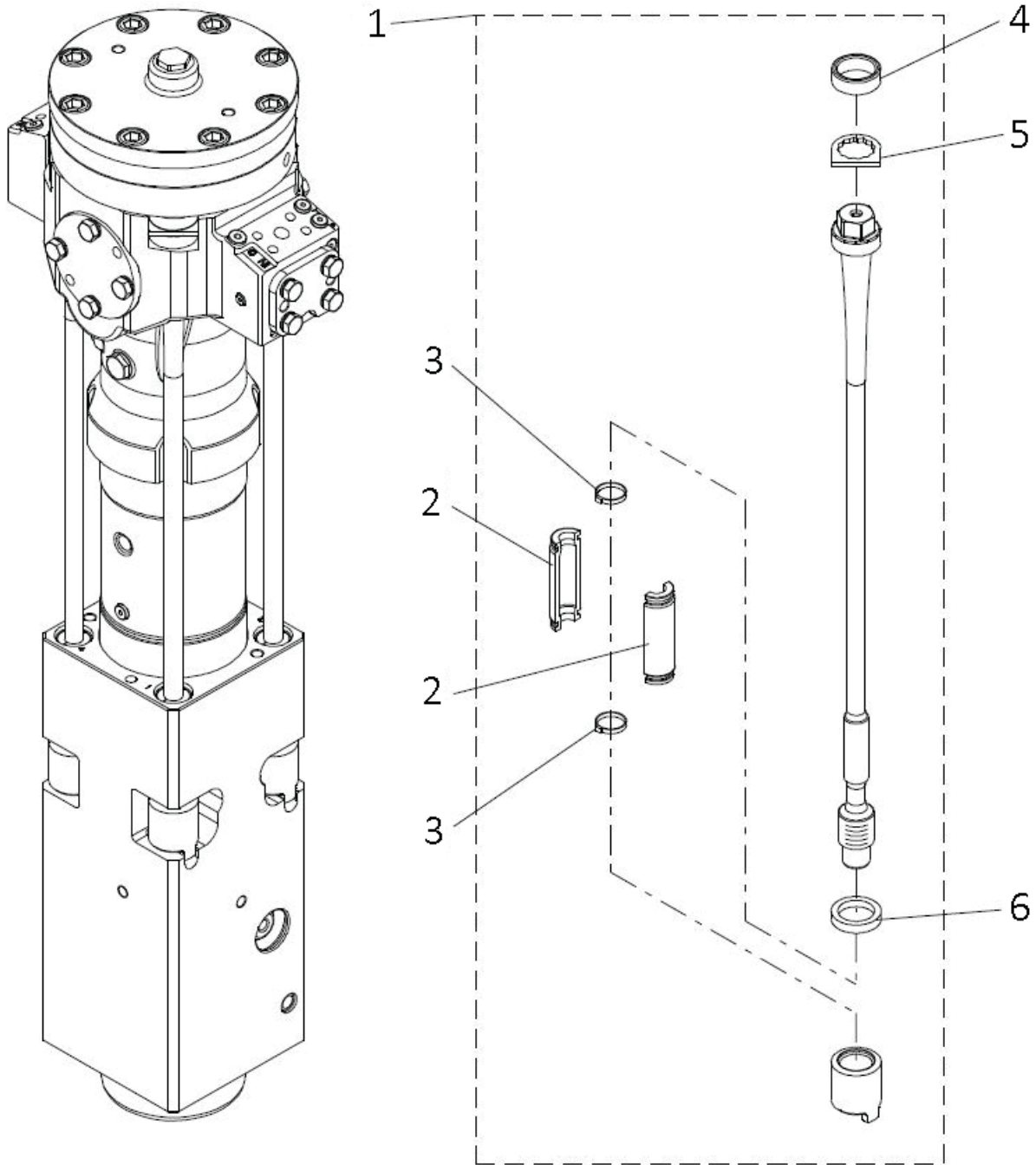
PRESSURE CONTROL VALVE



PRESSURE CONTROL VALVE

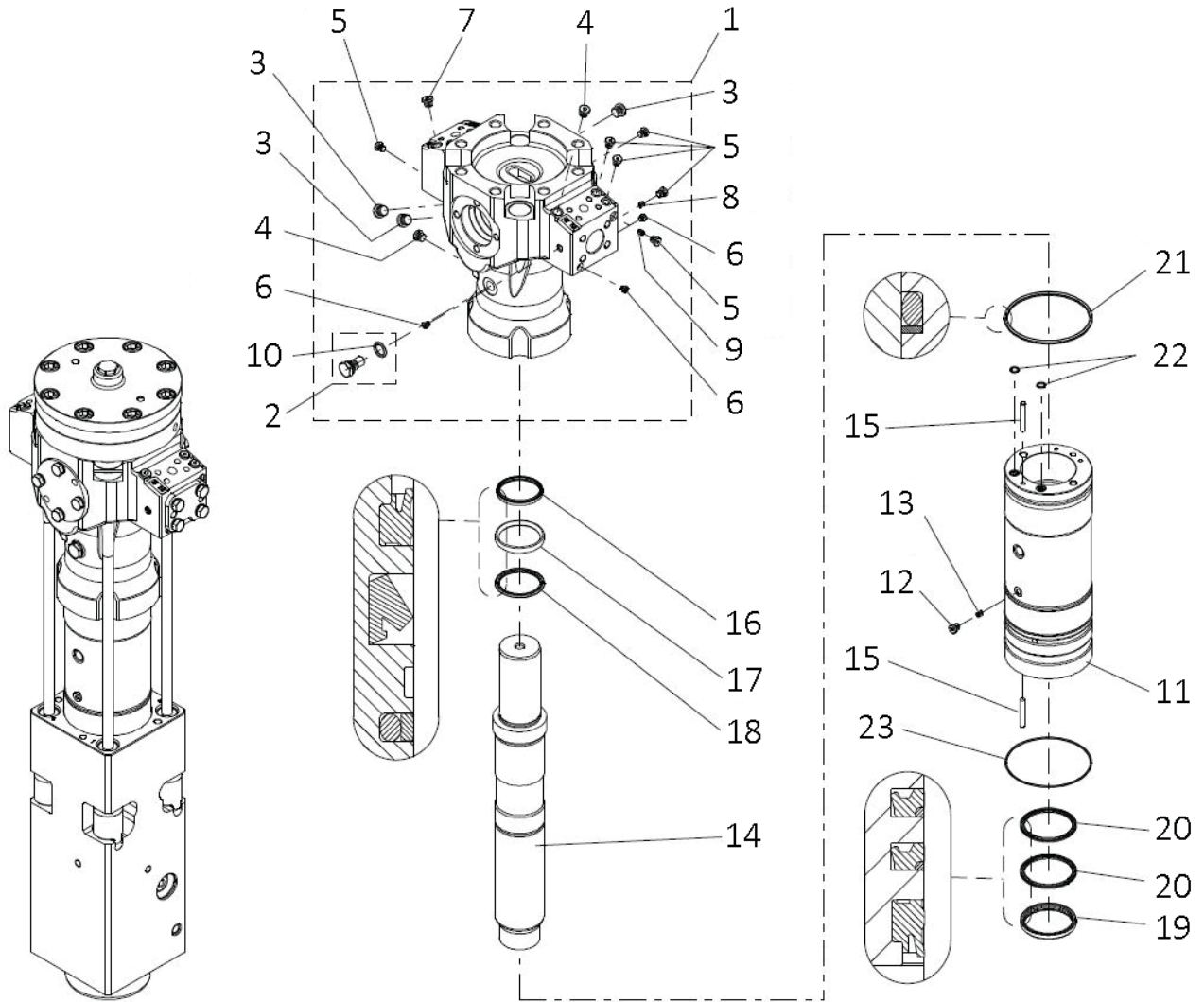
Item	Description	Part no.	Specification	Note	Qty
1	Pressure control valve (incl parts 2-16)	76943			1
2	Cover	76943			1
3	Valve housing	76945			1
4	Spool	76946			1
5	Guide	76947			1
6	Spool	76948			1
7	Spring guide	76949			1
8	Spring	76950			1
9	Shim plate	76951	S=0.5		x
10	Shim plate	76952	S=1		x
11	Shim plate	76953	S=0.75		x
12	Plug	76954			1
13	O-ring	76955	D54	*	1
14	O-ring	76838	D24	*	1
15	O-ring	76956	D49	*	1
16	Seal	76957		*	1
17	Hex. screw	76958	M12x30-8.8 ISO 4017		4
18	Lock washer	76959	M12 NORD-LOCK		4
	(*) included in seal set				

TIE RODS



Item	Description	Part no.	Specification	Note	Qty
1	Tie rod set (incl. parts 2-6)	76960			4
2	Vibration dampening element	76961			2
3	Cable tie	76962			2
4	Rubber ring	76963			1
5	Lock plate	76964			1
6	Spacer	76965			1

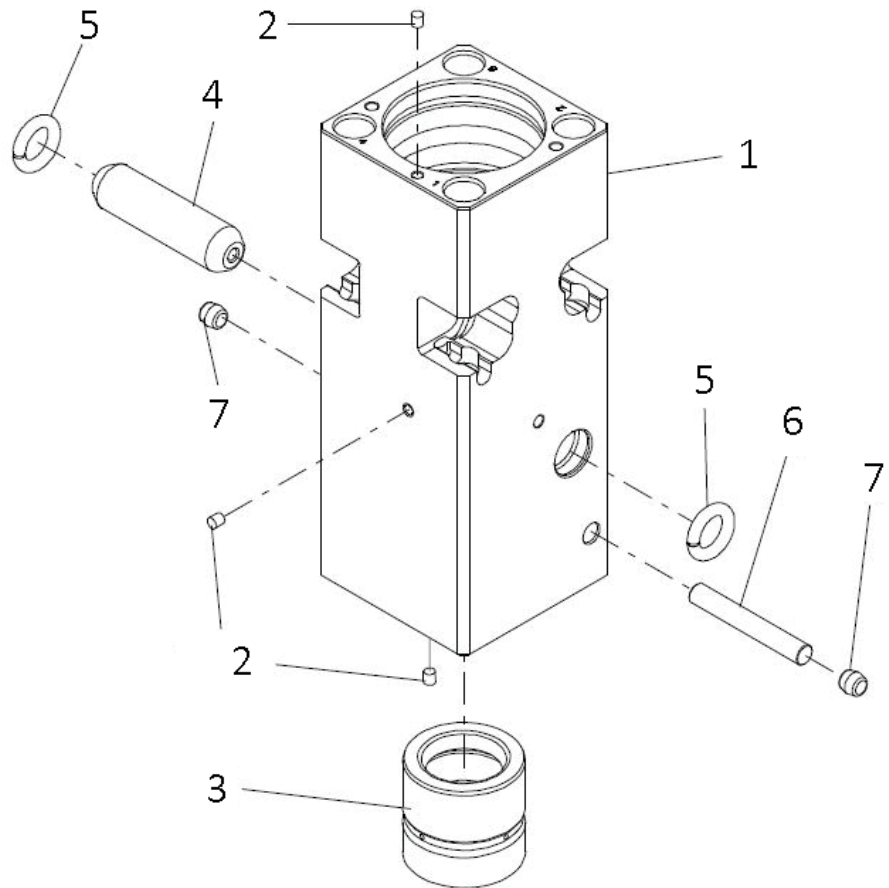
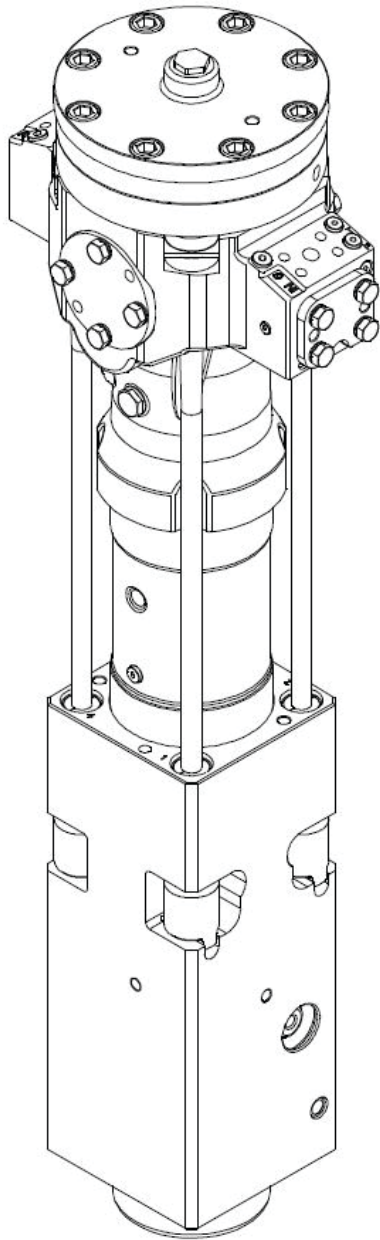
BODY PARTS



BODY PARTS

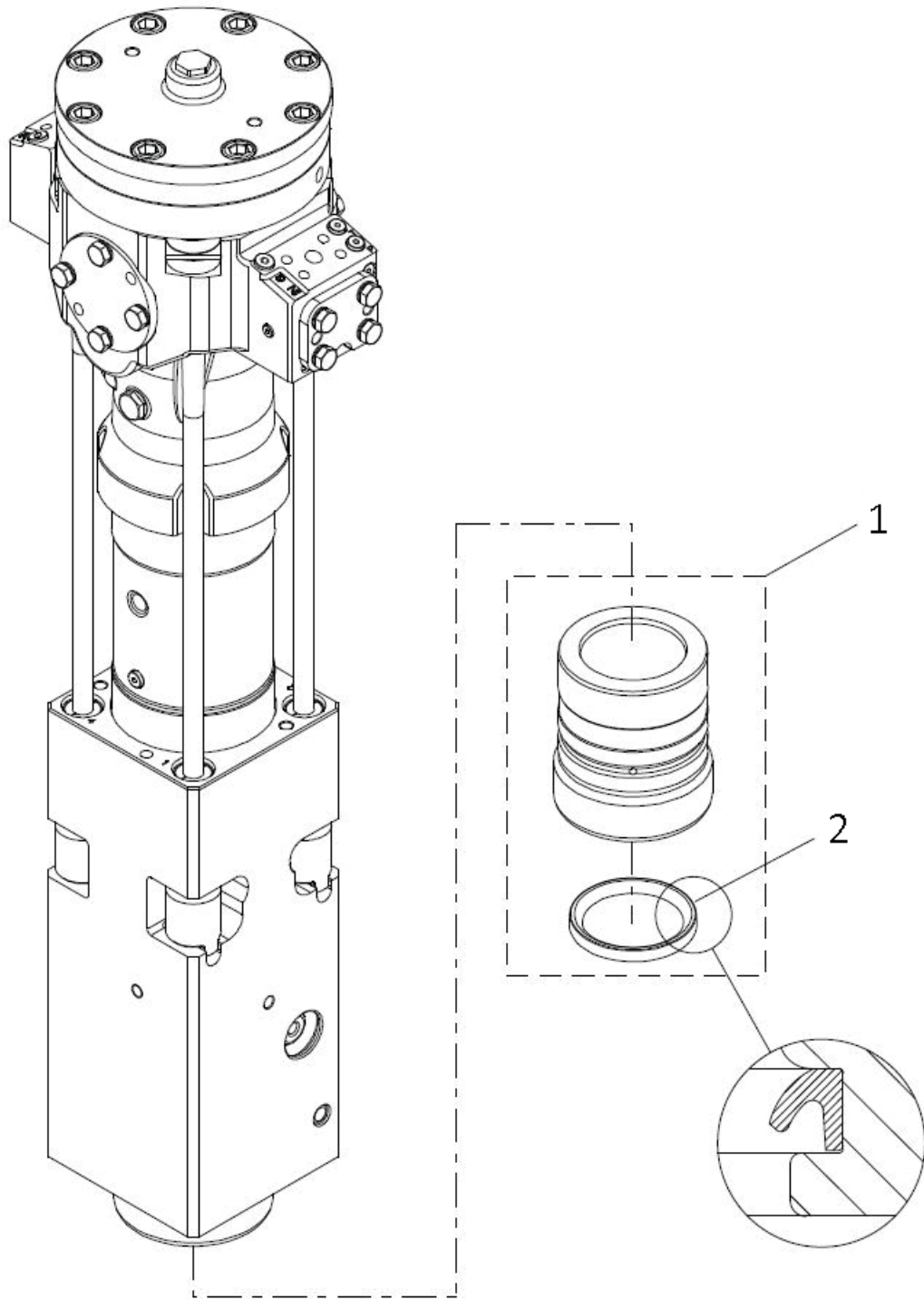
Item	Description	Part no.	Specification	Note	Qty
1	Valve body (incl. parts 2-9)	76966			1
2	Breather (incl. parts 10)	76967			1
3	Flange plug	76850	R1/2		3
4	Flange plug	76847	R3/8		2
5	Flange plug	76969	R1/4		6
6	Flange plug	76970	R1/8		3
7	Breather	76971	R3/8		1
8	Nozzle	76972			1
9	Nozzle	76973			1
10	O-ring	76968	D24	*	1
11	Cylinder (incl. parts 12-13)	76974			1
12	Flange plug	76969	R1/4		1
13	Hex. screw	76976	M10x12 ISO 4026		1
14	Piston	76977			1
15	Parallel pin	76978	10x70 ISO 8734		2
16	Wiper	76979		*	1
17	Seal	76980		*	1
18	Seal	76981		*	1
19	Wiper	76982		*	1
20	Seal	76983		*	2
21	Seal	76984		*	1
22	O-ring	76985	D14	*	2
23	O-ring	76986	D172	*	1
	(*) included in seal set				

FRONT HEAD



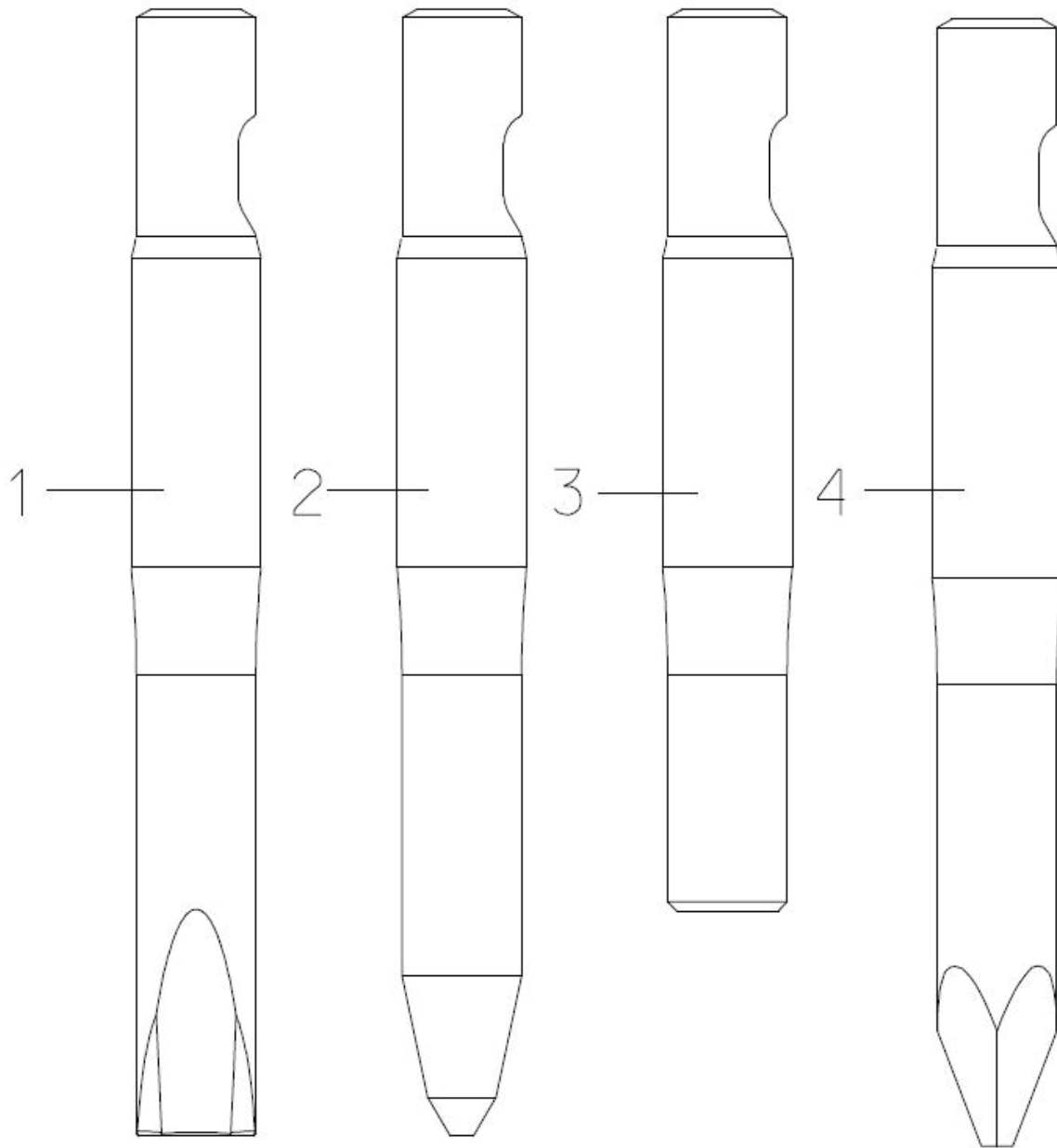
Item	Description	Part no.	Specification	Note	Qty
1	Front head (incl. part 2)	76987			1
2	Plug	76988			3
3	Upper tool bushing	76989			1
4	Tool retaining pin	76990			1
5	Ring	76991			2
6	Retaining pin	76992			1
7	Rubber plug	76993			2

LOWER TOOL BUSHING



Item	Description	Part no.	Specification	Note	Qty
1	Lower tool bushing (incl. part 2)	76994			1
2	Seal	76995			1

TOOL

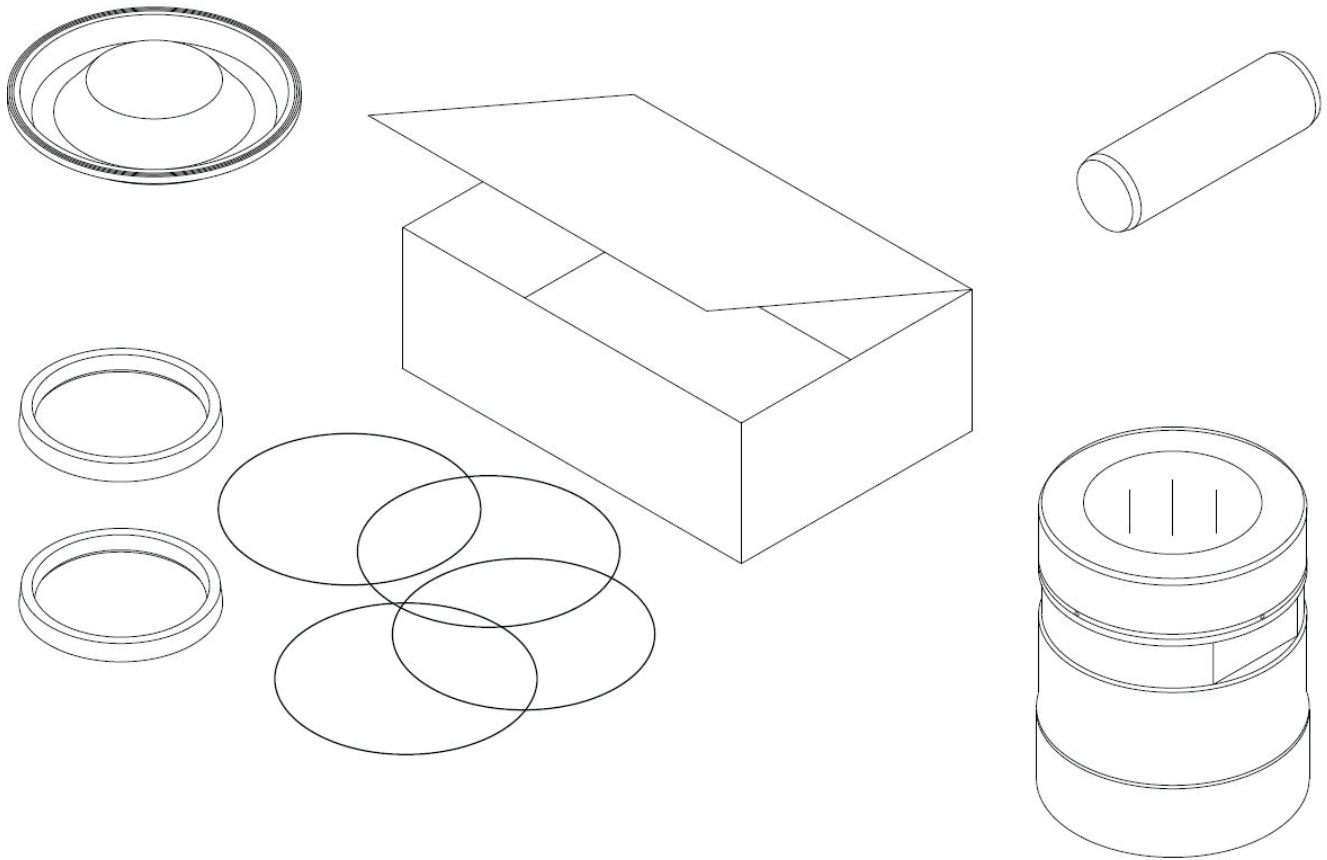


Item	Description	Part no.	Specification	Note	Qty
1	Chisel	76996	L=1000 mm, W=67kg D=115mm		1
2	Moil point	76997	L=1000 mm, W=67kg D=115mm		1
3	Blunt	76998	L=800 mm, W=58kg D=115 mm		1
4	Pyramid	76999	L=1000 mm, W=66 kg D=115 mm		1

SEAL SET

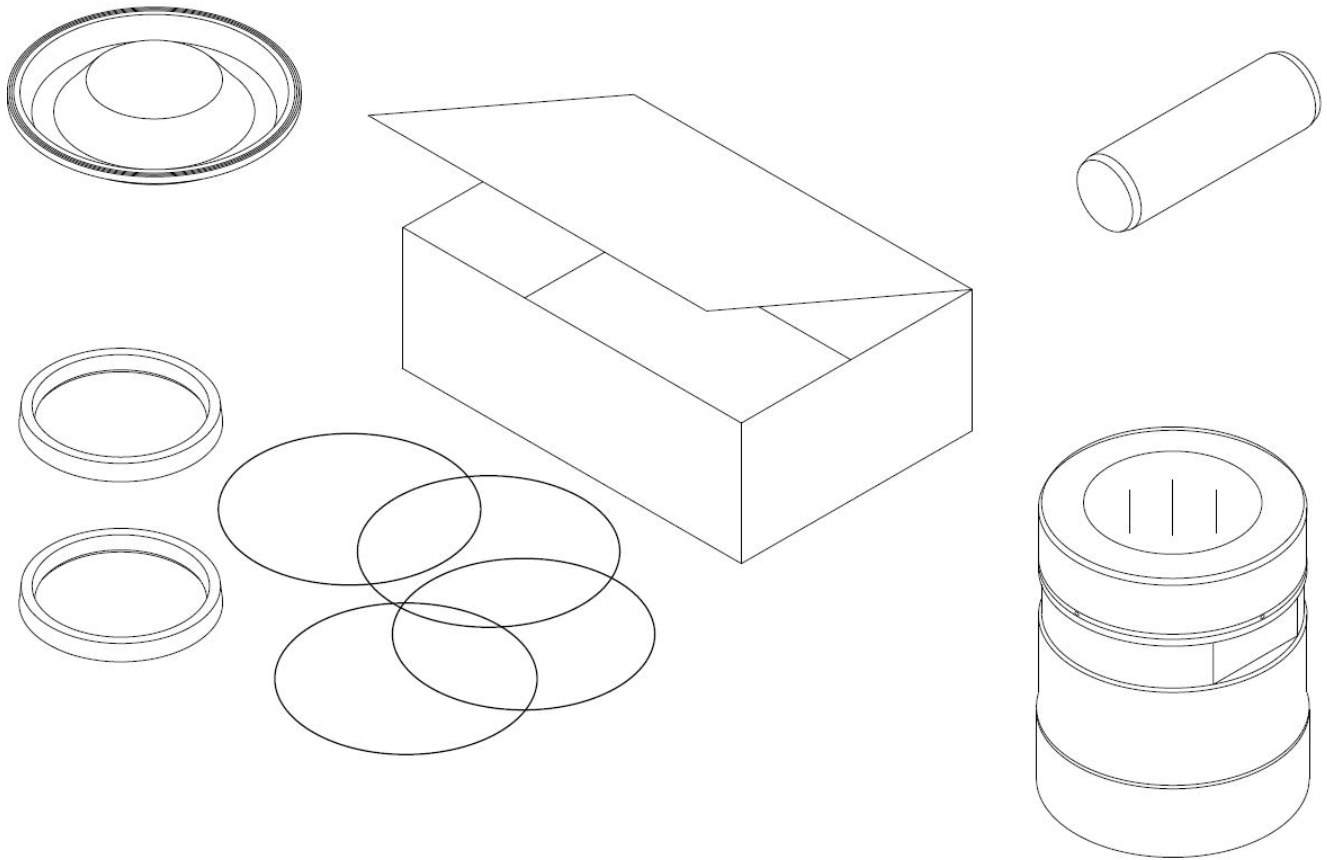
Item	Description	Part no.	Specification	Note	Qty
Kit	Seal set (incl. parts 1-22)	77703			1
1	Usit-ring	76846	8- 13.9-1		1
2	Seal	76924	D114		1
3	O-ring	76844	D23		1
4	O-ring	76955	D54		1
5	O-ring	76838	D24		1
6	O-ring	76956	D49		1
7	Seal	76957			1
8	Seal	76931			6
9	O-ring	76932	D85		2
10	O-ring	76939	D46		1
11	O-ring	76940	D44		1
12	O-ring	76941	D34		1
13	O-ring	76968	D24		1
14	Wiper	76979			1
15	Seal	76980			1
16	Seal	76981			1
17	Wiper	76982			1
18	Seal	76983			2
19	Seal	76984			1
20	O-ring	76985	D14		2
21	O-ring	76986	D172		1
22	Seal	76942			1
	The seals for greasing device are not included in this seal set. They are included in the service kit for greasing device.				

SERVICE KIT



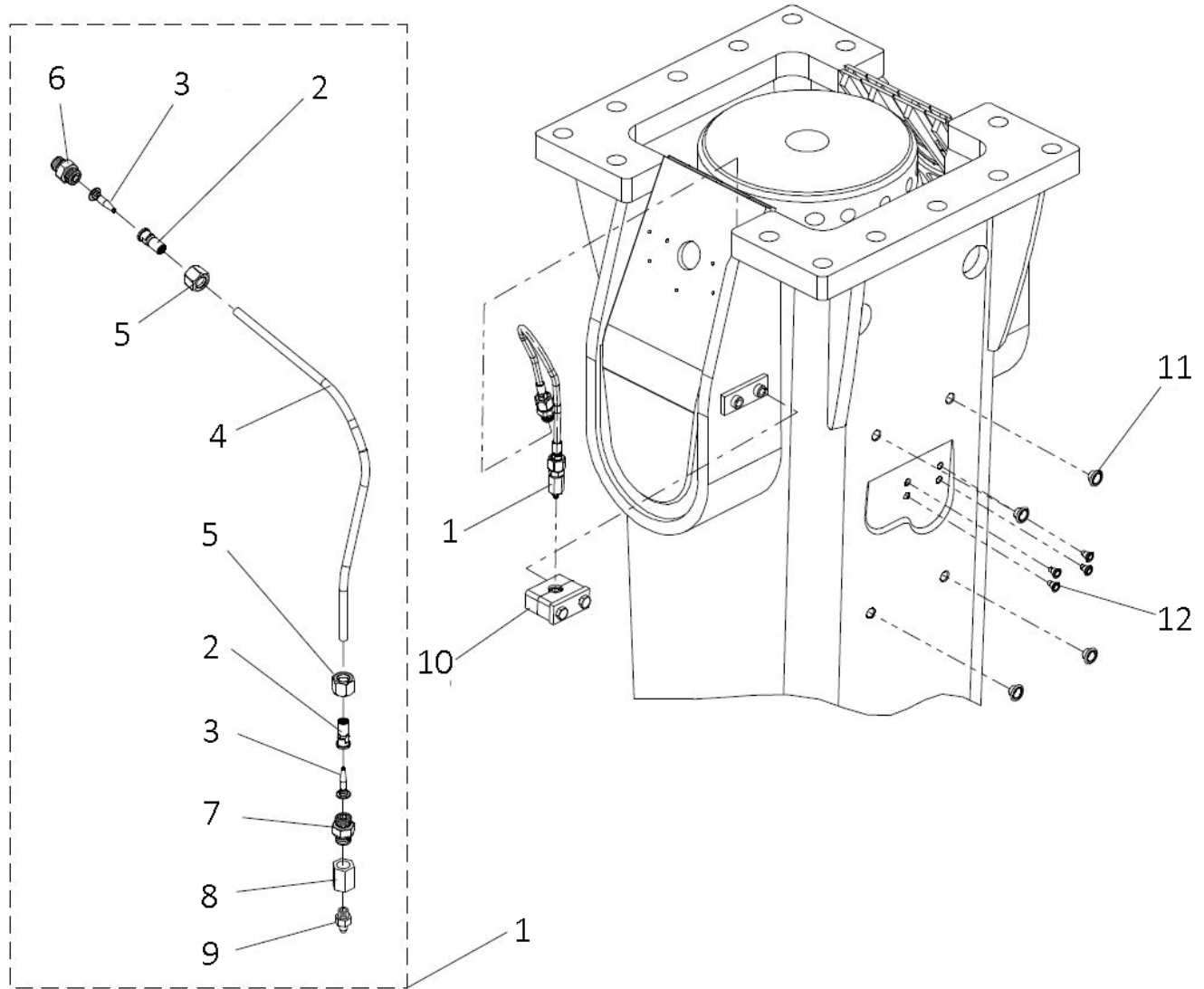
Item	Description	Part no.	Specification	Note	Qty
Kit	Service kit (incl. parts 1-4)	77704			1
1	Membrane	76919			1
2	Tool retaining pin	76990			1
3	Lower tool bushing	76994			1
4	Seal set	77703			1

SERVICE KIT 2



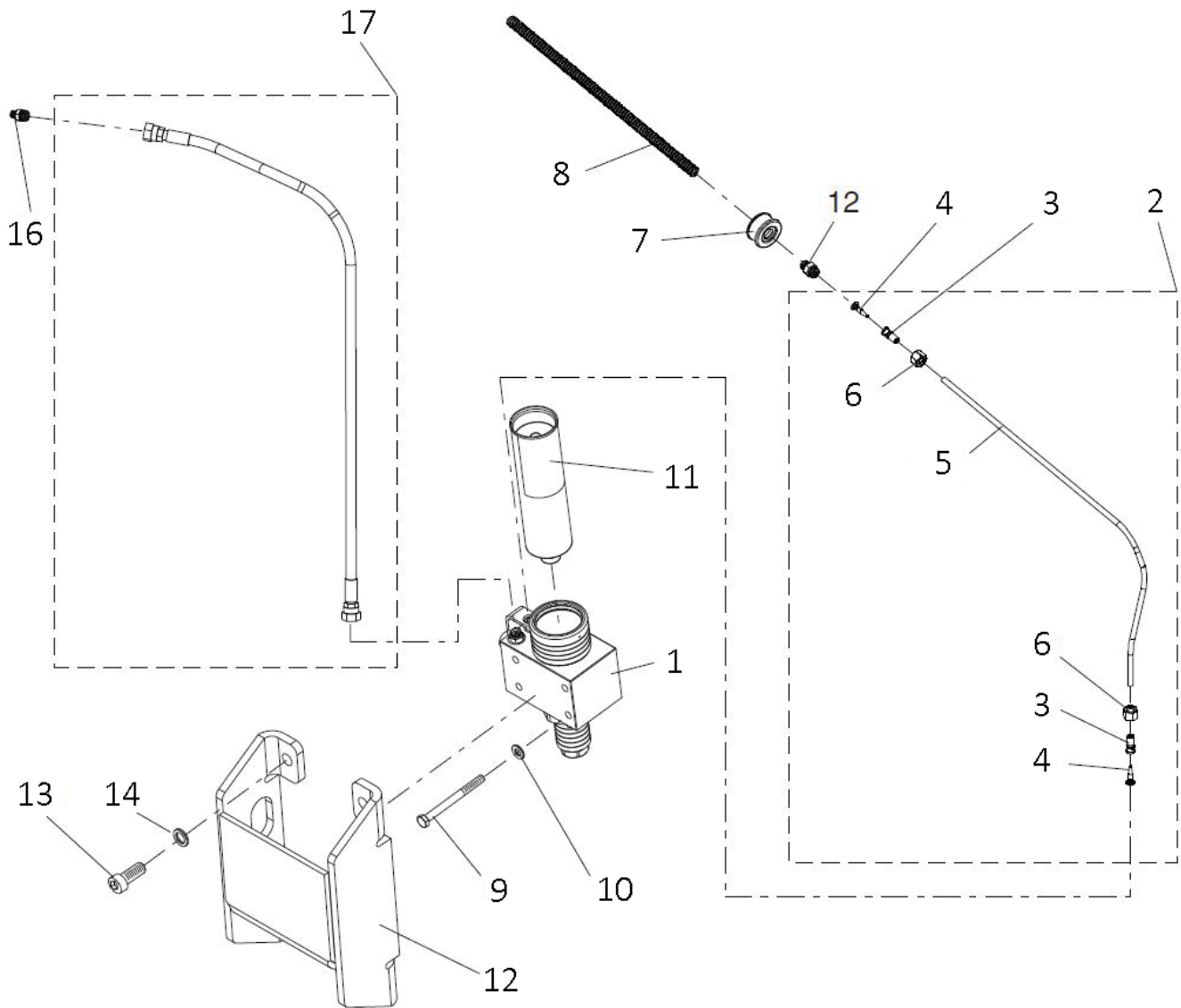
Item	Description	Part no.	Specification	Note	Qty
Kit	Service kit (incl. parts 1-4)	77705			1
1	Buffer	76902			1
2	Pad	76903			2
3	Wear plate	76908			4
4	Upper tool bushing	76989			1

MANUAL GREASING



Item	Description	Part no.	Specification	Note	Qty
1	Hose assembly (incl. parts 2-9)	77706			1
2	Sleeve	77707			2
3	Insert	77708			2
4	Hose	77709	L=480		1
5	Nut	77710			2
6	Connector	77711	BSPP 3/8		1
7	Connector	77712	BSPP 1/4		1
8	Adapter	77713			1
9	Grease zerk	77714			1
10	Pipe clamp	77715			1
11	Plug	77716			4
12	Plug	77717			4

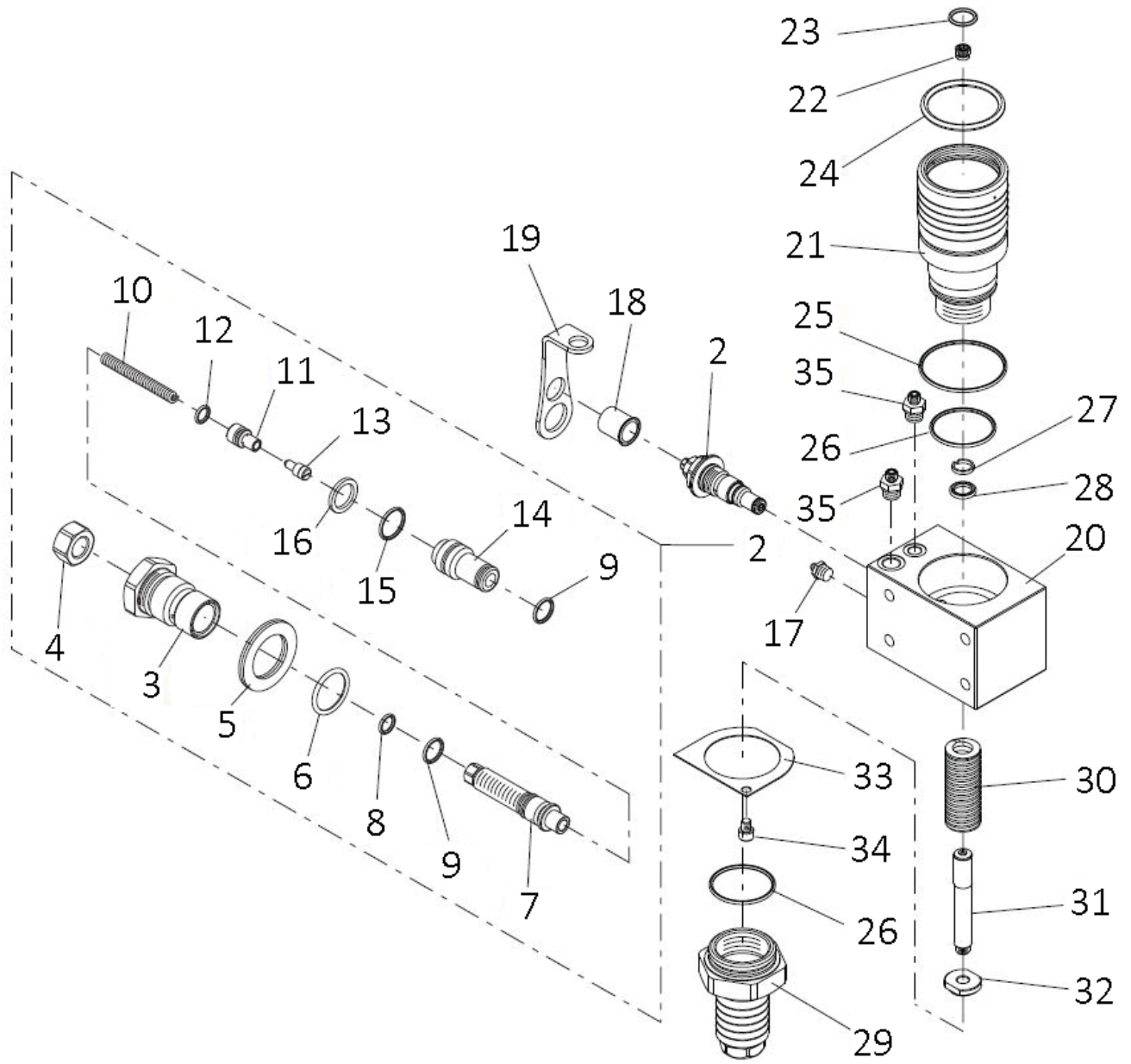
GREASING DEVICE KIT



GREASING DEVICE KIT

Item	Description	Part no.	Specification	Note	Qty
1	Greasing device RG541	77719			1
2	Hose assembly (incl. parts 3-6)	77720			1
3	Sleeve	77707			2
4	Insert	77708			2
5	Hose	77721			1
6	Nut	77710			2
7	Rubber bushing	77722			1
8	Shield	77723			1
9	Hex. screw	77724	M10x110-8.8 ISO 4014		4
10	Lock washer	77725	M10 NL 10sp NORD-LOCK		4
11	Grease cartridge	77726	Special tool grease, greasing device cartridge. Greasing device cartridges are also sold in boxes of 24		1
12	Shield	77727			1
13	Hex. socket screw	77728	M16x35-8.8 ISO 4762		4
14	Lock washer	76852	M16 NORD-LOCK		4
15	Connector	77711	BSPP 3/8		1
16	Connector	77712	BSPP 1/4		1
17	Hose assembly	77729			1

GREASING DEVICE



GREASING DEVICE

Item	Description	Part no.	Specification	Note	Qty
1	Greasing device RG541 (incl. parts 2-16)	77719			1
2	Doser (incl. parts 3-16)	77730			1
3	Plug	77731			1
4	Nut	77732	M12x1 DIN 934		1
5	Lock washer	76854	M24 NORD-LOCK	*	1
6	O-ring	77733	D21	*	1
7	Adjusting screw	77734			1
8	O-ring	77735	D8	*	1
9	O-ring	77736	D11	*	2
10	Spring	77737		*	1
11	Piston	77738			1
12	O-ring	77739	D7	*	1
13	Piston	77740		*	1
14	Body	77741			1
15	O-ring	77742	D15	*	1
16	Shim plate	77743		*	1
17	Grease zerk	77714	BSP 1/4	*	1
18	Plug	77744		*	1
19	Locking plate	77745			1
20	Body	77746			1
21	Cartridge holder	77747			1
22	Check valve	77748			1
23	O-ring	77749	D19	*	1
24	O-ring	77750	D62	*	1
25	O-ring	77751	D71	*	1
26	O-ring	77752	D52	*	2
27	Guide ring	77753		*	1
28	Seal	77754		*	1
29	Spring housing	77755			1
30	Spring	77756			1
31	Piston	77757			1
32	Nut	77758			1
33	Lock plate	77759		*	1
34	Hex. socket screw	77760	M8x10-8.8 ISO 4762	*	1
35	Connector	77712	BSPP 1/4		3
kit	Seal set for greasing device	77761			1
	(*) included in seal set for greasing device				

STANLEY®

Stanley, 1538 Highway 2,
Two Harbors, MN 55616 USA

3-48-14119-36-32-98
84-48-14119-27-64-217