

STANLEY®

MHP3 *TracHorse*



USER MANUAL Safety, Operation and Maintenance



© 2012 Stanley Black & Decker, Inc.
New Britain, CT 06053
U.S.A.
68589 7/2014 Ver. 8

NOTES

TABLE OF CONTENTS

SAFETY SYMBOLS	4
SAFETY PRECAUTIONS.....	5
TOOL STICKERS & TAGS	7
HOSE TYPES.....	8
HOSE RECOMMENDATIONS	9
HTMA REQUIREMENTS.....	10
HOSE & FITTING CONNECTIONS	11
OPERATION.....	12
TRACK TENSION ADJUSTMENT	19
TROUBLESHOOTING	20
FUEL TANK	21
SPECIFICATIONS.....	22
FILTERS.....	22
ACCESSORIES.....	22
MHP3 MAJOR PARTS ASSEMBLY ILLUSTRATION.....	23
MHP3 PARTS LIST—MAJOR ASSEMBLY	24
HOSE & FITTING ILLUSTRATION	25
MHP3 PARTS LIST—HOSE & FITTING	26
MHP3 ELECTRIC WIRING SCHEMATIC	27
MHP3 POWER UNIT FRAME ILLUSTRATION & PARTS LIST	28
MHP3 HONDA ENGINE ILLUSTRATION	29
MHP3 HONDA ENGINE PARTS LIST.....	30

IMPORTANT

To fill out a Product Warranty Recording form, and for information on your warranty, visit Stanleyhydraulics.com and select the Company tab, Warranty.
(NOTE: The warranty recording form must be submitted to validate the warranty).

SERVICING: This manual contains safety, operation, and routine maintenance instructions. Stanley Hydraulic Tools recommends that servicing of hydraulic tools, other than routine maintenance, must be performed by an authorized and certified dealer. Please read the following warning.

⚠ WARNING

SERIOUS INJURY OR DEATH COULD RESULT FROM THE IMPROPER REPAIR OR SERVICE OF THIS TOOL.

REPAIRS AND / OR SERVICE TO THIS TOOL MUST ONLY BE DONE BY AN AUTHORIZED AND CERTIFIED DEALER.

For the nearest authorized and certified dealer, call Stanley Hydraulic Tools at the number listed on the back of this manual and ask for a Customer Service Representative.

SAFETY SYMBOLS

Safety symbols and signal words, as shown below, are used to emphasize all operator, maintenance and repair actions which, if not strictly followed, could result in a life-threatening situation, bodily injury or damage to equipment.



This is the safety alert symbol. It is used to alert you to potential personal injury hazards. Obey all safety messages that follow this symbol to avoid possible injury or death.



This safety alert and signal word indicate an imminently hazardous situation which, if not avoided, will result in death or serious injury.



This safety alert and signal word indicate a potentially hazardous situation which, if not avoided, could result in death or serious injury.



This safety alert and signal word indicate a potentially hazardous situation which, if not avoided, could result in death or serious injury.



This signal word indicates a potentially hazardous situation which, if not avoided, may result in property damage.



This signal word indicates a situation which, if not avoided, will result in damage to the equipment.



This signal word indicates a situation which, if not avoided, may result in damage to the equipment.

Always observe safety symbols. They are included for your safety and for the protection of the tool.

LOCAL SAFETY REGULATIONS

Enter any local safety regulations here. Keep these instructions in an area accessible to the operator and maintenance personnel.

SAFETY PRECAUTIONS

Tool operators and maintenance personnel must always comply with the safety precautions given in this manual and on the stickers and tags attached to the machine.

These safety precautions are given for your safety. Review them carefully before operating the machine and before performing general maintenance or routine service.

Supervising personnel should develop additional precautions relating to the specific work area and local safety regulations. If so, place the added precautions in the space provided in this manual.

If you have not read this manual or the engine manual, you are not ready to operate the MHP3. Read and understand this manual and any stickers and tags attached to the machine before operation. Failure to do so can result in equipment damage, personal injury, or death.



- Operate the machine in a work area WITHOUT BYSTANDERS. The operator must be familiar with all prohibited work areas such as excessive slopes and dangerous terrain conditions.
- DO NOT operate the machine ACROSS excessive slopes or unstable terrain where “tip over” is a hazard.
- DO NOT operate the machine in confined areas where there may be a risk of crushing the operator between the machine and another object.
- DO NOT OPERATE THE TRACHORSE IN ENCLOSED SPACES. Inhalation of engine exhaust can be fatal.
- DO NOT WEAR LOOSE CLOTHING that can get entangled in the working parts of the machine or hydraulic tools.
- DO NOT add fuel to the machine while it is running or still hot.
- DO NOT operate the machine if a fuel odor is present.
- DO NOT operate the machine within 3.3 ft./1 m of buildings, obstructions, or flammable objects.
- Allow the engine to cool before storing the machine in an enclosure.
- DO NOT RIDE ON, OR ALLOW ANYONE ELSE TO RIDE ON, THE MACHINE AT ANY TIME.
- Establish a training program for all operators to ensure safe operation.
- DO NOT operate the machine unless thoroughly trained or under the supervision of an instructor.
- Always wear safety equipment such as goggles, ear, head protection, respiratory and safety shoes at all times when operating the TracHorse and hydraulic tools.
- DO NOT inspect or clean the machine while the engine is running. Accidental engagement of the machine can cause serious injury or death.
- Wear a homologated respirator when cutting or breaking masonry, concrete, asbestos and other materials that produce dust.
- The hydraulic circuit control switch must be in the “OFF” position when coupling or uncoupling hydraulic tools. Wipe all couplers clean before connecting. Use only lint-free cloths. Failure to do so may result in damage to the quick couplers and cause overheating of the hydraulic system.
- Before operating hydraulic tools, read and understand the operation manual furnished with the tool.
- DO NOT operate a damaged, or improperly adjusted, machine. DO NOT operate with guards removed.
- DO NOT weld or cut with an acetylene torch any surface or component of the equipment. Consult with the Stanley factory before performing any welding or acetylene cutting of the equipment.
- Prevent possible personal injury or equipment damage by having all repair, maintenance and service performed only by authorized and properly trained personnel.
- DO NOT exceed the rated limits of the equipment or use the equipment for applications beyond its design capacity.
- Always keep critical markings, such as labels and warning stickers legible.
- Always replace parts with replacement parts recommended by Stanley Hydraulic Tools.
- Keep all body parts away from working parts of the TracHorse.
- Be aware of surrounding hazards. Noise created by the TracHorse and the tools it operates may mask early indications of approaching hazards.
- Only use the TracHorse in well-ventilated areas. DO NOT operate in explosive atmospheres, in closed environments or near flammable substances.

SAFETY PRECAUTIONS

- Always be well-rested and mentally alert when operating the TracHorse and tools. DO NOT operate if affected by medications, drugs or alcohol.
- Keep clear of hot (engine) parts and exhaust.
- DO NOT use flammable solvents around the engine.
- DO NOT reverse tool rotation by changing fluid flow direction.
- Always use hose and fittings rated for 2500 psi/172 bar with a 4 to 1 safety factor. Be sure all hose connections are tight.
- Be sure all hoses are correct for current flow direction to and from the tool being used.
- DO NOT inspect hoses and fittings for leaks by using bare hands. "Pin-hole" leaks can penetrate the skin.
- DO NOT operate tools if oil temperature exceeds 140 °F/60 °C. Operation at high temperatures can cause higher than normal temperatures at the tools which can result in operator discomfort.
- Disconnect battery before servicing electrical components. Electrocution or burns could result from improper contact.

TOOL STICKERS & TAGS

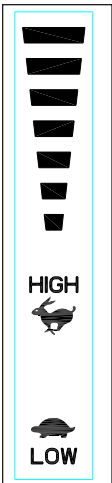
59126
Dash Sticker



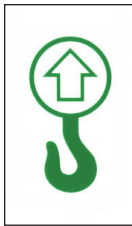
68336
Dual Tool Circuit Sticker

⚠ DANGER	
	Use in well ventilated areas only. Exhaust contains chemicals known to the state of California to cause cancer, birth defects, and other reproductive harm.
	Contact with high pressure fluid at leak or burst resulting from improper handling, operation, or maintenance will cause oil injection to body.
	Engine, exhaust, and other surfaces of tool may be hot. Avoid accidental contact with hot surfaces. Allow tool to cool before maintenance or storage.
	All operators must read, understand, and follow ALL safety precautions and operating instructions found in owners manual before operating tool.

59126
Dash Sticker (Closer View)



68335
Throttle
Sticker



47352
Lift Point
Sticker

**LIMIT ENGINE SPEED
DURING REVERSE TRAVEL
DO NOT USE HIGH RANGE
DURING REVERSE TRAVEL**

68334
Limit Engine Speed Sticker

HOSE TYPES

The rated working pressure of the hydraulic hose must be equal to or higher than the relief valve setting on the hydraulic system. There are three types of hydraulic hose that meet this requirement and are authorized for use with Stanley Hydraulic Tools. They are:

Certified non-conductive — constructed of thermoplastic or synthetic rubber inner tube, synthetic fiber braid reinforcement, and weather resistant thermoplastic or synthetic rubber cover. *Hose labeled **certified non-conductive** is the only hose authorized for use near electrical conductors.*

Wire-braided (conductive) — constructed of synthetic rubber inner tube, single or double wire braid reinforcement, and weather resistant synthetic rubber cover. *This hose is **conductive** and must never be used near electrical conductors.*

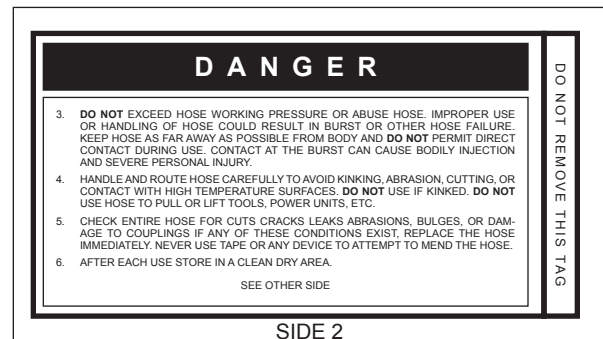
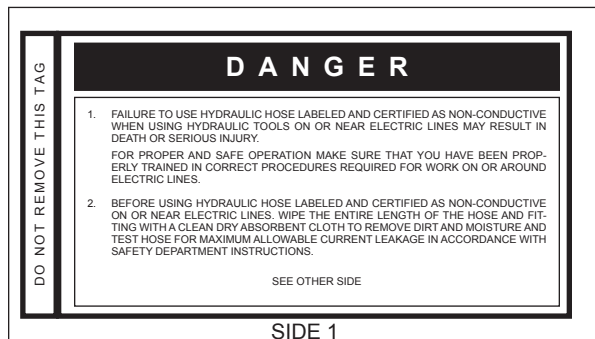
Fabric-braided (not certified or labeled non-conductive) — constructed of thermoplastic or synthetic rubber inner tube, synthetic fiber braid reinforcement, and weather resistant thermoplastic or synthetic rubber cover. *This hose is **not certified non-conductive** and must never be used near electrical conductors.*

HOSE SAFETY TAGS

To help ensure your safety, the following DANGER tags are attached to all hose purchased from Stanley Hydraulic Tools. **DO NOT REMOVE THESE TAGS.**

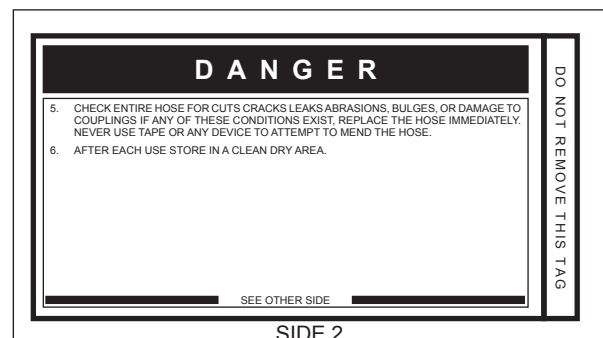
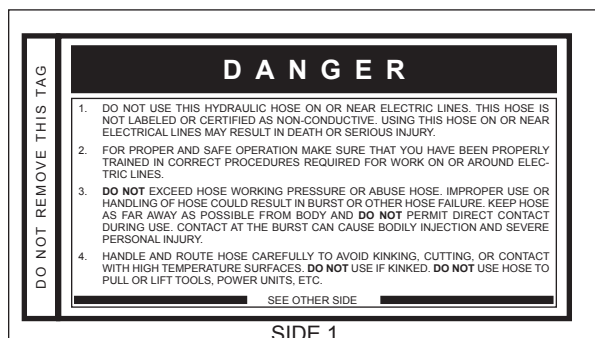
If the information on a tag is illegible because of wear or damage, replace the tag immediately. A new tag may be obtained from your Stanley Distributor.

THE TAG SHOWN BELOW IS ATTACHED TO “CERTIFIED NON-CONDUCTIVE” HOSE



(Shown smaller than actual size)

THE TAG SHOWN BELOW IS ATTACHED TO “CONDUCTIVE” HOSE.



(Shown smaller than actual size)

HOSE RECOMMENDATIONS

Tool to Hydraulic Circuit Hose Recommendations

The chart to the right shows recommended minimum hose diameters for various hose lengths based on gallons per minute (gpm)/liters per minute (lpm). These recommendations are intended to keep return line pressure (back pressure) to a minimum acceptable level to ensure maximum tool performance.

This chart is intended to be used for hydraulic tool applications only based on Stanley Hydraulic Tools tool operating requirements and should not be used for any other applications.

All hydraulic hose must have at least a rated minimum working pressure equal to the maximum hydraulic system relief valve setting.

All hydraulic hose must meet or exceed specifications as set forth by SAE J517.

Oil Flow		Hose Lengths		Inside Diameter		USE (Press/Return)	Min. Working Pressure	
GPM	LPM	FEET	METERS	INCH	MM		PSI	BAR
Certified Non-Conductive Hose - Fiber Braid - for Utility Bucket Trucks								
4-9	15-34	up to 10	up to 3	3/8	10	Both	2250	155
Conductive Hose - Wire Braid or Fiber Braid -DO NOT USE NEAR ELECTRICAL CONDUCTORS								
4-6	15-23	up to 25	up to 7.5	3/8	10	Both	2500	175
4-6	15-23	26-100	7.5-30	1/2	13	Both	2500	175
5-10.5	19-40	up to 50	up to 15	1/2	13	Both	2500	175
5-10.5	19-40	51-100	15-30	5/8	16	Both	2500	175
5-10.5	19-40	100-300	30-90	5/8	16	Pressure	2500	175
10-13	38-49	up to 50	up to 15	3/4	19	Return	2500	175
10-13	38-49	51-100	15-30	5/8	16	Both	2500	175
10-13	38-49	100-200	30-60	3/4	19	Pressure	2500	175
13-16	49-60	up to 25	up to 8	5/8	16	Pressure	2500	175
13-16	49-60	26-100	8-30	3/4	19	Return	2500	175
				1	25.4	Return	2500	175
				5/8	16	Pressure	2500	175
				3/4	19	Return	2500	175
				3/4	19	Pressure	2500	175
				1	25.4	Return	2500	175

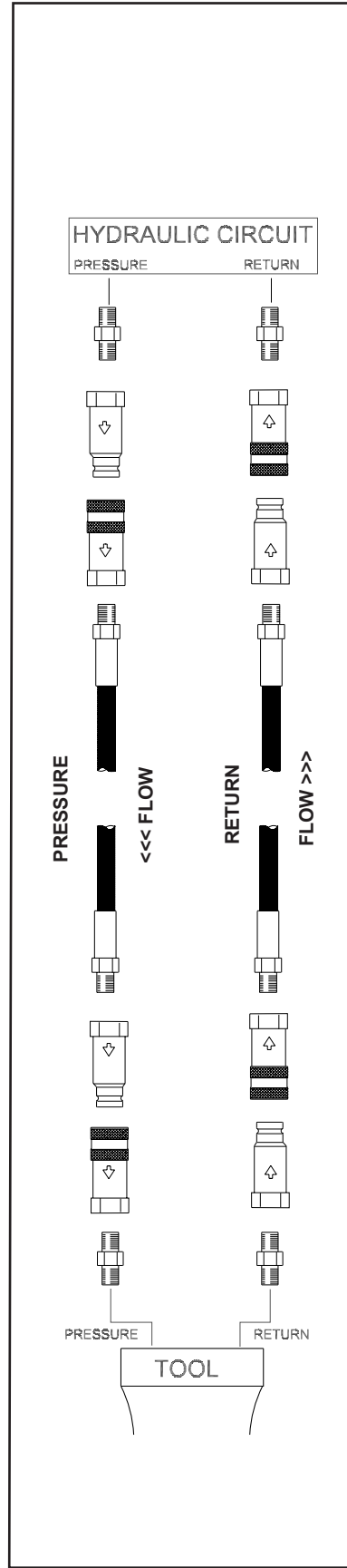


Figure 1. Typical Hose Connections

HTMA / EHTMA REQUIREMENTS

HTMA / EHTMA REQUIREMENTS

HTMA

HYDRAULIC SYSTEM REQUIREMENTS

TOOL TYPE

TYPE I

TYPE II

TYPE RR

TYPE III

Flow Range	4-6 gpm (15-23 lpm)	7-9 gpm (26-34 lpm)	9-10.5 gpm (34-40 lpm)	11-13 gpm (42-49 lpm)
Nominal Operating Pressure (at the power supply outlet)	1500 psi (103 bar)	1500 psi (103 bar)	1500 psi (103 bar)	1500 psi (103 bar)
System relief valve setting (at the power supply outlet)	2100-2250 psi (145-155 bar)	2100-2250 psi (145-155 bar)	2200-2300 psi (152-159 bar)	2100-2250 psi (145-155 bar)
Maximum back pressure (at tool end of the return hose)	250 psi (17 bar)	250 psi (17 bar)	250 psi (17 bar)	250 psi (17 bar)
Measured at a max. fluid viscosity of: (at min. operating temperature)	400 ssu* (82 centistokes)	400 ssu* (82 centistokes)	400 ssu* (82 centistokes)	400 ssu* (82 centistokes)
Temperature: Sufficient heat rejection capacity to limit max. fluid temperature to: (at max. expected ambient temperature)	140° F (60° C)	140° F (60° C)	140° F (60° C)	140° F (60° C)
Min. cooling capacity at a temperature difference of between ambient and fluid temps	3 hp (2.24 kW) 40° F (22° C)	5 hp (3.73 kW) 40° F (22° C)	6 hp (5.22 kW) 40° F (22° C)	7 hp (4.47 kW) 40° F (22° C)
NOTE: Do not operate the tool at oil temperatures above 140° F (60° C). Operation at higher temperatures can cause operator discomfort at the tool.				
Filter Min. full-flow filtration Sized for flow of at least: (For cold temp. startup and max. dirt-holding capacity)	25 microns 30 gpm (114 lpm)	25 microns 30 gpm (114 lpm)	25 microns 30 gpm (114 lpm)	25 microns 30 gpm (114 lpm)
Hydraulic fluid Petroleum based (premium grade, anti-wear, non-conductive) Viscosity (at min. and max. operating temps)	100-400 ssu*	100-400 ssu* (20-82 centistokes)	100-400 ssu*	100-400 ssu*
NOTE: When choosing hydraulic fluid, the expected oil temperature extremes that will be experienced in service determine the most suitable temperature viscosity characteristics. Hydraulic fluids with a viscosity index over 140 will meet the requirements over a wide range of operating temperatures.				
*SSU = Saybolt Seconds Universal				

EHTMA HYDRAULIC SYSTEM REQUIREMENTS

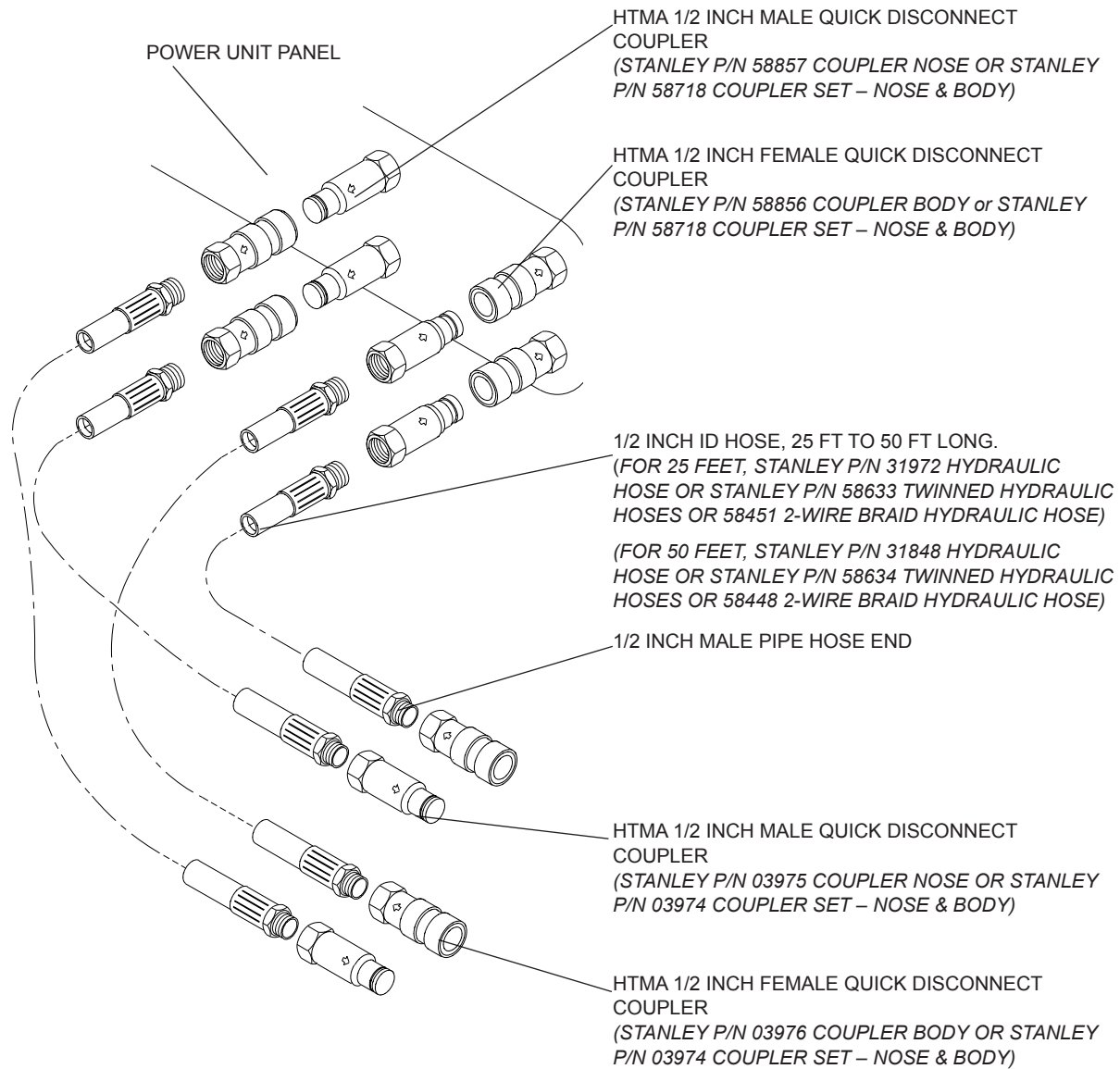
CLASSIFICATION



Flow Range	3.5-4.3 gpm (13.5-16.5 lpm)	4.7-5.8 gpm (18-22 lpm)	7.1-8.7 gpm (27-33 lpm)	9.5-11.6 gpm (36-44 lpm)	11.8-14.5 gpm (45-55 lpm)
Nominal Operating Pressure (at the power supply outlet)	1870 psi (129 bar)	1500 psi (103 bar)	1500 psi (103 bar)	1500 psi (103 bar)	1500 psi (103 bar)
System relief valve setting (at the power supply outlet)	2495 psi (172 bar)	2000 psi (138 bar)	2000 psi (138 bar)	2000 psi (138 bar)	2000 psi (138 bar)

NOTE: These are general hydraulic system requirements. See tool specification page for tool specific requirements

HOSE & FITTING CONNECTIONS



OPERATION

PRE OPERATION PROCEDURES

PREPARATION FOR INITIAL USE

Connect the battery cables to the battery. Other than connecting the battery, no special unpacking or assembly requirements prior to usage. Inspection to assure the equipment was not damaged in shipping, does not contain packing debris, and checking fluid levels as described below, is all that is required.

Check the TracHorse to ensure all guards are in place and make sure all controls are functioning properly and make sure the unit is completely assembled with no missing, damaged or loose parts or fittings.

ENGINE OIL LEVEL

Before each use, check the engine oil level. Make sure the engine oil level is at the FULL MARK on the dipstick. Do not overfill. Use detergent oil classified "For Service SE, SF, SG" as specified in the engine operating and maintenance manual.

The engine oil dipstick is located on the right side of the Honda engine.

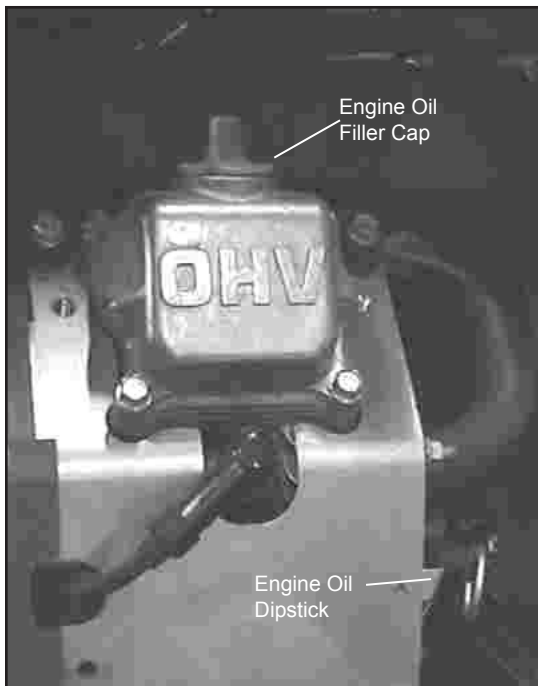


Figure 2. Honda Engine

SPARK PLUG

The power units are equipped with Honda engines, ONLY Denso J16CR-U or equivalent can be used.

Incorrect types of spark plugs can produce radio frequency interference.

ENGINE FUEL LEVEL

Check the fuel level. If low, fill with unleaded gasoline with a minimum of 85 octane rating.

BATTERY

The supplied 12 Volt DC battery is a non-spillable, maintenance-free battery and is fully charged.

Make sure the battery cables are tight and charging circuit functions are operating properly.

NOTICE

Do not charge the battery with a standard automotive battery charger. This type of charger produces a charging amperage higher than 2 amps. Charging the battery at higher than 2 amps will damage the battery.

NOTICE

If the engine runs out of gas or dies during operation and the ignition switch is left in the ON or RUN position, this could drain the battery. Make sure the ignition switch is returned to the OFF position.

HYDRAULIC FLUID

Check the sight gauge in the hydraulic fluid reservoir for the proper fluid level.

NOTICE

Low hydraulic fluid indicates a leak in the hydraulic system. Inspect all hydraulic connections and hydraulic components for leaks. DO NOT use the equipment until leaks are repaired.

OPERATION

RECOMMENDED HYDRAULIC OILS

Below is a list of recommended oils by brand.

Brand	Biodegradable	Description
CITGO	No	Hydurance AW32
AMS Oil	No	HVH 32
Exxon Mobil	No	Univis HVI26*
Exxon Mobil	No	DTE 10 Excel
Shell	No	S2 V 32
Chevron	No	Rando HDZ 32
Conoco Phillips	No	Unax AW-WR-32
Clarion (CITGO)	Yes	Green Bio 32
Exxon Mobil	Yes	EAL 224H
Chevron	Yes	Clarity AW32
Terresolve	Yes	Envirologic 132
Shell	Yes	Naturelle HF-E-32

*Recommended for extreme cold temperatures

QUICK DISCONNECT COUPLERS

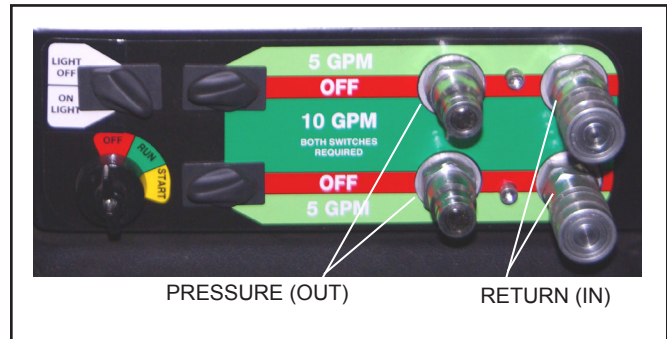
HTMA-approved quick-disconnect couplings are installed to hydraulic hoses so that the direction of oil flow is always from the male to the female quick disconnect as shown on page 10. Quick disconnect couplings and hose fittings are selected so that additional fittings such as reducer or adapter fittings are not required.

If adapter fittings are used, they must be approved steel hydraulic fittings meeting a minimum operating pressure rating of 2500 psi/172 bar. Do not use galvanized pipe fittings or black pipe fittings.

Use thread tape or pipe joint compound when installing quick disconnect couplings to hose or tool fittings. Follow the instructions furnished with the selected thread sealant. **DO NOT OVERTIGHTEN THE FITTINGS.**

OPERATING THE TOOL CIRCUIT

Facing the panel, the male quick disconnect fittings are the PRESSURE FLUID OUT fitting. The female quick disconnect fittings are the RETURN FLUID IN (RETURN) fitting.



The “Dual Circuit” control panel contains connections for two 5 GPM tool circuits. In addition, the two circuits may be combined into one 10 GPM tool circuit.

1. If using one 5 GPM tool circuit, select either the upper or lower circuit and connect the PRESSURE FLUID OUT hose to the male coupler and connect the RETURN FLUID IN (RETURN) to the female coupler next to it. Connect the other ends of the hoses to the tool.

If using both 5 GPM tool circuits, connect PRESSURE FLUID OUT hoses to the male couplers and connect the RETURN FLUID IN (RETURN) hoses to the female couplers. Connect the other ends of the hoses to the tools.

NOTE:

Before starting the engine make sure the tool circuit switches are in the OFF position.

The power unit will not start if the tool selector switches are not in the OFF position.

2. Ensure the throttle control is pulled fully back to the idle position.



3. Ensure the tool circuit switches are in the OFF position.
4. Pull the choke out until it stops.

OPERATION

5. Turn the ignition switch clockwise to begin cranking the engine. Use short starting cycles (15 seconds per minute) to prolong starter life. Extended cranking can damage the starter motor.
6. After the engine starts, allow it to warm-up for a few seconds before moving the choke. Move the choke inward in small steps to allow the engine to accept small changes in speed and load. Continue moving the choke in until it is fully off and the engine is running smoothly.
7. Place the throttle at the maximum setting.
8. Position each tool circuit switch to 5 GPM. The tools can now be used.
9. Reverse the above procedure to stop using the tools.

DUAL CIRCUIT COMBINED FOR 10 GPM

1. To combine the two 5 GPM tool circuits into one 10 GPM tool circuit, connect the PRESSURE FLUID OUT hose to either one of the two male couplers. Connect the RETURN FLUID IN (RETURN) hose to either one of the two male couplers. Connect the other ends of the hoses to the tool.
2. Ensure the throttle control is pulled fully back to the idle position.
3. Ensure the tool circuit switches are in the **OFF** position.
4. Pull the choke out until it stops.
5. Turn the ignition switch clockwise to begin cranking the engine. Use short starting cycles (15 seconds per minute) to prolong starter life. Extended cranking can damage the starter motor.
6. After the engine starts, allow it to warm-up for a few seconds before moving the choke. Move the choke inward in small steps to allow the engine to accept small changes in speed and load. Continue moving the choke in until it is fully off and the engine is running smoothly.
7. Place the throttle at the maximum setting.
8. Position each tool circuit switch to 10 GPM. The tool can now be used.
9. Reverse the above procedure to stop using the tool.

COLD WEATHER STARTUP

1. Use the procedures below for starting the engine

and using the tool circuits or driving the TracHorse in cold weather.

2. Hydraulic fluids are thicker in cold weather. Therefore, it is recommended that the engine be run at low idle long enough to bring the hydraulic fluid temperature up to a minimum of 50 °F/10 °C.
3. If the tools and tool hoses are cold, it is recommended to allow hydraulic fluid to circulate through the tool hoses until warm before using the tools.

SHUTDOWN

1. Ensure each flow selector switch is in the **OFF** position.
2. Move the throttle control to idle.
3. Allow the engine to idle for approximately one minute and move the Ignition Switch to the **OFF** position.

NOTICE

If the engine runs out of gas or dies during operation and the ignition switch is left in the **ON** or **RUN** position, this could drain the battery. Make sure the ignition switch is returned to the **OFF** position.

OPERATION

ADJUSTING THROTTLE FOR VARIOUS TYPES OF WORK

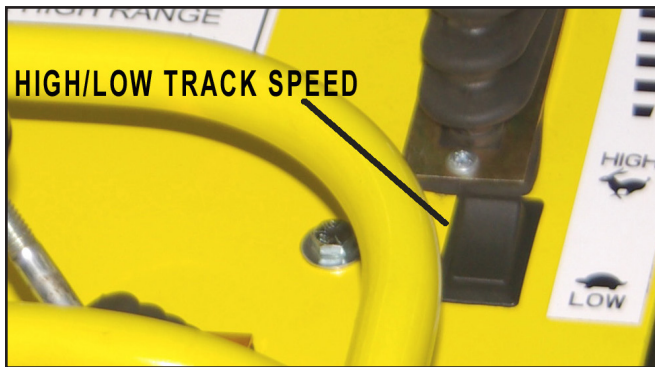
⚠ WARNING

When first learning to operate the Track Horse, position the throttle to the **SLOW** position. More experienced operators may use higher throttle settings.

FORWARD TRAVEL

The throttle can be positioned anywhere between slow and fast for traveling forward depending on the weight of the load being carried. Heavy loads will require higher throttle settings and low range in order for the engine to provide enough power to move the load.

A switch mounted below the throttle control provides two-speed (FAST & SLOW) operation.



REVERSE TRAVEL

⚠ WARNING

DO NOT attempt to travel in reverse with the throttle positioned above **SLOW**. This may result in loss of control and result in injury or death to the operator.

Always position the throttle to a slow position for reverse travel to permit increased control and safety.

Always switch the two-speed control to **LOW** speed operation when moving in reverse.

SLOPE OPERATION

⚠ WARNING

DO NOT operate the machine on slopes exceeding 60 percent (30°) in the travel direction or across slopes exceeding 45 percent (24°).

Depending on the load carried in the bed, it may be preferable to back up steep slopes.

If traversing over large obstructions such as railroad rail or curbs, travel at an angle (45 degrees) to the obstruction. In some cases it may be easier to back over them.

Avoid turning on slopes. If you must turn, turn slowly downhill, if possible.

DO NOT operate the machine near drop-offs, ditches, or embankments. The machine could suddenly turn over if a track goes over the edge or if an edge collapses.

DO NOT try to stabilize the machine if it is tipping over. Let go of the machine and get out of its way.

TRAVELING FORWARD OR REVERSE

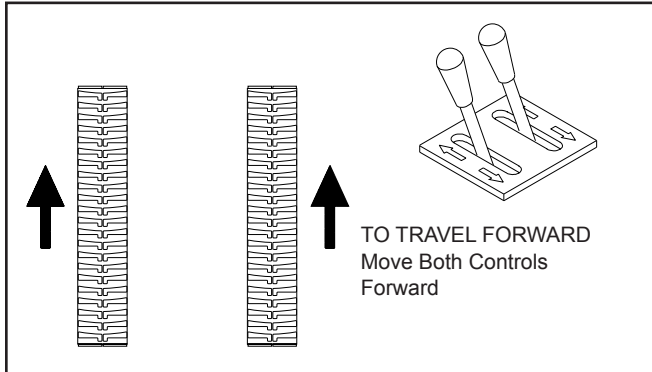


To travel forward, reverse, turn left, or turn right, do the following:

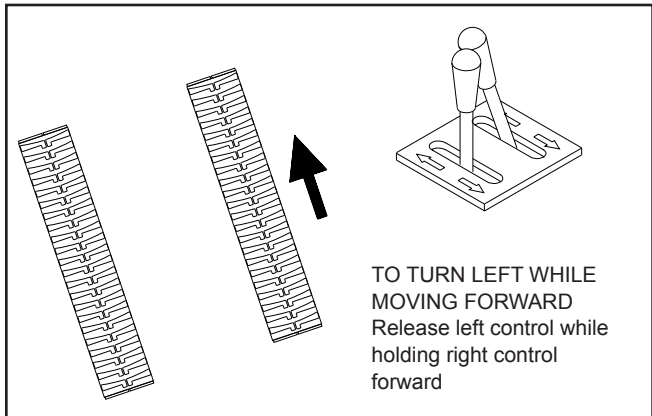
OPERATION

Forward Travel

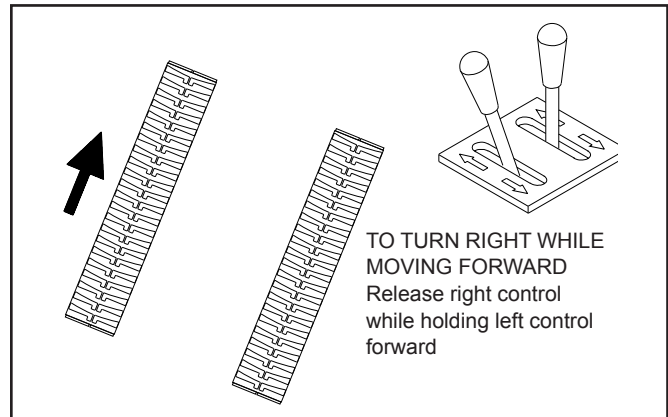
TO MOVE FORWARD IN A STRAIGHT LINE: Move both the left and right track controls forward at the same time.



TO TURN LEFT WHILE MOVING FORWARD: Release the left track control while pushing forward on the right track control. Resume pushing forward on the left track control to move forward in a straight line.



TO TURN RIGHT WHILE MOVING FORWARD: Release the right track control while pushing forward on the left track control. Resume pushing forward on the right track control to move forward in a straight line.

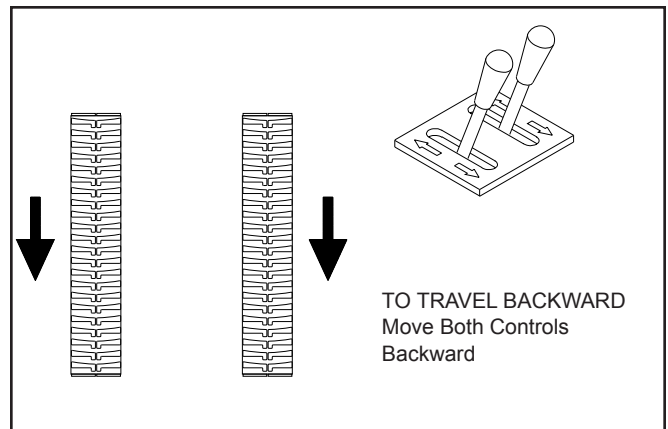


Reverse Travel

⚠ WARNING

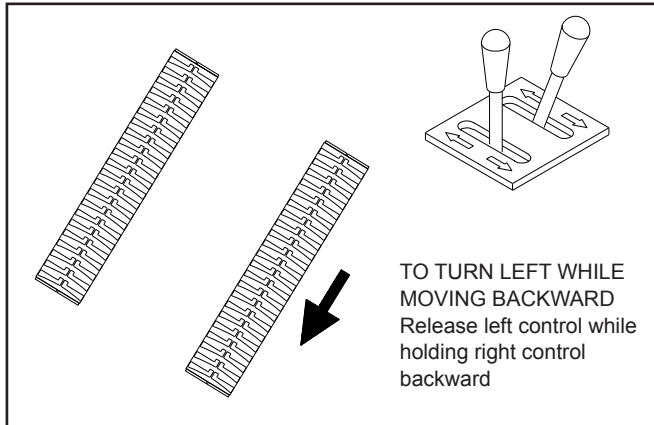
DO NOT attempt to travel in reverse with the throttle positioned above **SLOW**. This may result in loss of control and result in injury or death to the operator.

TO MOVE BACKWARDS IN A STRAIGHT LINE: Move both the left and right track controls backward at the same time.

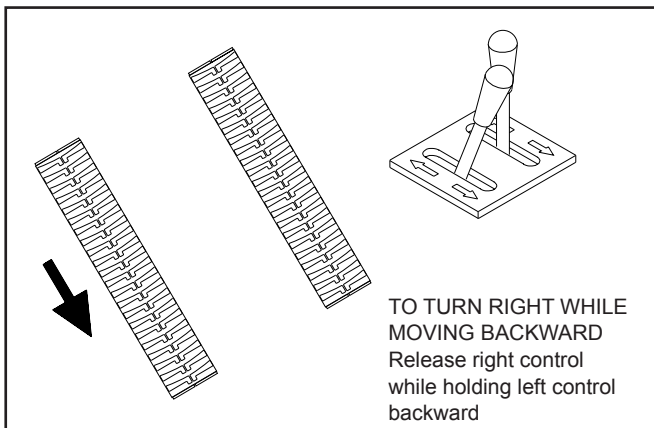


OPERATION

TO TURN LEFT WHILE MOVING BACKWARD: Release the left track control while pulling backward on the right track control. Resume pulling backward on the left track control to move backward in a straight line.

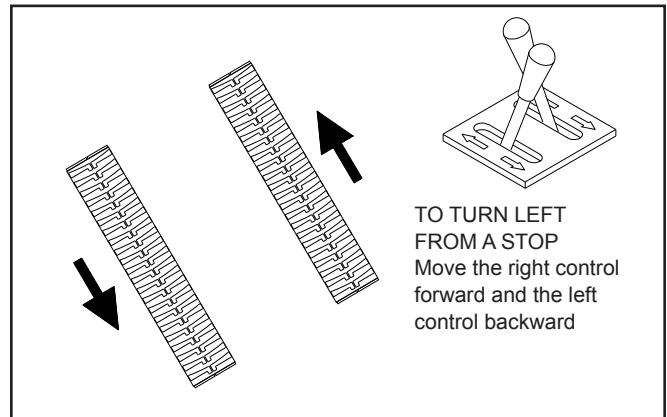


TO TURN RIGHT WHILE MOVING BACKWARD: Release the right track control while pulling backward on the left track control. Resume pulling backward on the right track control to move backward in a straight line.

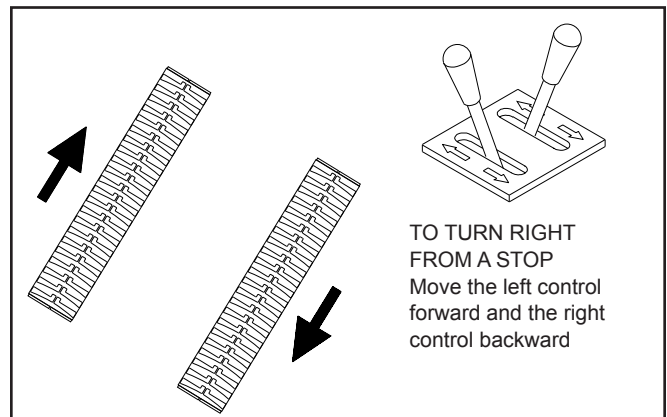


Turning From A Stop

TO TURN LEFT FROM A STOP: Move the right track control forward moving the left track control backward. At the same time will increase the turning rate.



TO TURN RIGHT FROM A STOP: Move the left track control forward moving the right track control backward. At the same time will increase the turning rate.



LOADING AND UNLOADING

1. Use loading ramps or a loading dock to load and unload the machine. Ensure loading ramps are strong enough to support the load. When using ramps, do not exceed a 15 degree incline (27 percent).

OPERATION



Loading and unloading of any type of machine is dangerous. Never attempt to load or unload the machine without loading ramps or a loading dock. Loading ramps must be strong enough, have a low angle, and correct height. Load and unload the machine on a level surface. Never attempt to load or unload the machine if the ramp incline exceeds 15 degrees. Failure to follow these instructions may result in serious injury or death.

2. Ensure the wheels of the trailer and the tow vehicle have been chocked front and rear.
3. Use the **SLOW** throttle setting when loading or unloading. Always switch the two-speed control to **LOW** speed operation when moving in reverse.
4. Drive the machine onto the trailer backwards (engine first). This will help prevent instability and keeps the operator “up hill” from the machine during loading and unloading.
5. After loading, place chocks at the front and rear of the tracks.

LIFTING

The unloaded TracHorse can be lifted using the single central lift point. Some safety rules may require 3-point lifting. (Center lift point plus 2-points on forward side of rails.)

If lifting with any items in the bed, a 3-point lift is required. (A 3-point lifting sling is available, refer to Accessories page.)

TRANSPORTING

1. Read the instructions for loading and unloading in this section.
2. Use chains and binders to secure the load to the trailer.

ROUTINE MAINTENANCE

Good maintenance practices will keep the machine on the job and increase its service life.

A very important maintenance practice is to keep the hydraulic fluid clean at all times. Contaminated hydraulic fluid causes rapid wear and/or failure of internal parts.

Follow the maintenance instructions contained in the engine manual.

ENGINE MAINTENANCE

Follow the maintenance schedule and general maintenance instructions in the engine maintenance and operation manual furnished with the power unit. Normal maintenance includes:

- Service foam air pre-cleaner every 25 hours of operation.
- Service air paper cartridge every 100 hours of operation.
- Replace in-line fuel filter every 100-300 hours or sooner if required.
- Replace spark plugs every 100 hours of operation.
- Change engine oil after first 5 hours of operation, then after every 50 hours of operation. If engine has been operating under heavy load or in high ambient temperature, change the oil every 25 hours of operation.
- Change oil filter when engine oil is changed.
- Check oil level daily.
- Remove dirt and debris from engine with a cloth or brush daily. Do not use water spray.
- Clean air cooling system every 100 hours of operation.

HYDRAULIC SYSTEM MAINTENANCE

Observe the following for maximum performance and service life from the hydraulic system.

- Always keep hydraulic system and fluids clean.
- Keep water out of fluid. (See paragraph below.)
- Keep air out of hydraulic lines. Hydraulic system overheating and foam at the hydraulic tank breather indicate air is present in the lines. Keep all suction line fittings and clamps tight.
- Hydraulic system wear is noted by increased heat during tool operation, reduced tool performance and eventual system breakdown.
- Operate with the fluid temperature at 50–140 °F/ 10–60 °C for improved seal and hose life, and maximum efficiency.

OPERATION

FILLING THE RESERVOIR

Make sure the engine is stopped before opening the filler cap. Fill slowly with the recommended fluid. Add fluid as needed. Secure the filler cap before restarting the engine. Refer to the hydraulic fluid page in this section for determining correct fluid level.

- Change the hydraulic filter element every 200 hours of operation. Change more often if cold, moist or dusty conditions exist.
- Check oil cooler for debris. Remove debris with air pressure.

REMOVING CONDENSED MOISTURE FROM HYDRAULIC FLUID

Condensation is a frequent problem with cool mobile hydraulic circuits. This condition occurs in moist or cold climates. When warm air in the hydraulic tank draws moisture from the cooler air outside, water accumulates in the tank.

- Check hydraulic fluid level daily. Add fluid per specifications in this manual (Refer to HYDRAULIC FLUID in this section).
- Remove condensed moisture from the hydraulic fluid by pumping the hydraulic fluid into a 5 gal/20l container through the pressure hose. Make sure the engine is at idle when performing this procedure. When the hydraulic reservoir is empty, turn the engine **OFF** immediately.
- Allow the fluid to sit long enough for the water to settle to the bottom of the container. Slowly pour the fluid back into the hydraulic tank, avoiding the water at the bottom of the container.

CHECKING SUCTION HOSE

Make sure the suction hose (from the hydraulic tank to the pump inlet) is not kinked and is clamped securely. This reduces the risk of pump cavitation and sucking air into the system. All pump fittings should be tight.

CHECKING HYDRAULIC LINES AND FITTINGS

Check for loose fittings, leaks, etc., throughout the hydraulic circuit.

- Check hydraulic lines and fittings for leaks, kinks, etc. daily. Do not use your hand to perform this check.

ADJUSTING TRACK TENSION

- The track tension is adjusted with the unit lifted off the ground. Between the drive wheel and front idler wheel, there are 3 smaller rollers.
- Once the unit is lifted off the ground, adjust the track tension to achieve 3/8" to 1/2" sag below the center small roller.

TROUBLESHOOTING

If symptoms of poor performance develop, the following chart can be used as a guide to correct the problem.

When diagnosing faults in operation of the machine or tool, always check that the hydraulic power source is supplying the correct hydraulic flow and pressure as listed in the table. Use a flowmeter known to be accurate. Check the flow with the hydraulic oil temperature at least 80 °F/27 °C.

Problem	Cause	Solution
Machine will not start.	Fuel filter plugged.	Replace fuel filter.
	No fuel.	Add fuel.
	Defective spark plugs.	Remove plugs, check gap, clean or replace.
	Tool circuit switch is on.	Turn tool circuit switch off.
	Battery not connected.	Attach battery cables, check wires.
	Weak battery.	Test battery, charge or replace.
	Solenoid not working.	Check solenoid operation and electrical connections.
Fluid blowing out of fluid reservoir vent.	Hydraulic tank overfilled.	Correct fluid level.
	Pump suction leak.	Check suction connections.
Machine stalls when track controls are pushed.	Not enough throttle.	Increase throttle setting/use low range.
	Heavy load.	Increase throttle setting/use low range.
	Over maximum pay load.	Max load 1000 lb/454 kg.
Hydraulic tool will not operate.	Tool circuit switch is OFF .	Turn tool circuit switch ON .
	Not enough throttle.	Move throttle to FAST position.
	Incorrect tool/hose connection.	Check for correct connections.
	Flow selector switch not switched ON .	Check that the flow selector switch is set to 5 or 10 gpm.
	Incorrect hose connection to tool.	Make sure the tool hose circuit goes from left (pressure) fitting to tool and back to the right fitting (return). Fluid always flows from the male to female fittings.
	Quick disconnect fittings.	Detach from hose, connect set together and check for free flow.
	Pump coupling defective.	With the engine not running: check the coupling between the pump and engine that it is engaged and is not damaged. Caution: Keep hands clear of rotating objects.
	Suction hose kinked.	Make sure suction hose from fluid reservoir to pump inlet has a smooth curve.
	Solenoid not working.	Check solenoid operation and electrical connections.
	Tool is defective.	Refer to tool manual.
Relief valve defective.	Have machine serviced.	

TROUBLESHOOTING

Problem	Cause	Solution
Machine cannot be moved using hydraulic controls	Defective gear box(es)	Have machine serviced
	One or more defective hydraulic component	Have machine serviced
	Hydraulic fluid level low	Check for correct level
	Pump coupling defective	Have machine serviced
	Relief valve stuck open	Have machine serviced

FUEL TANK

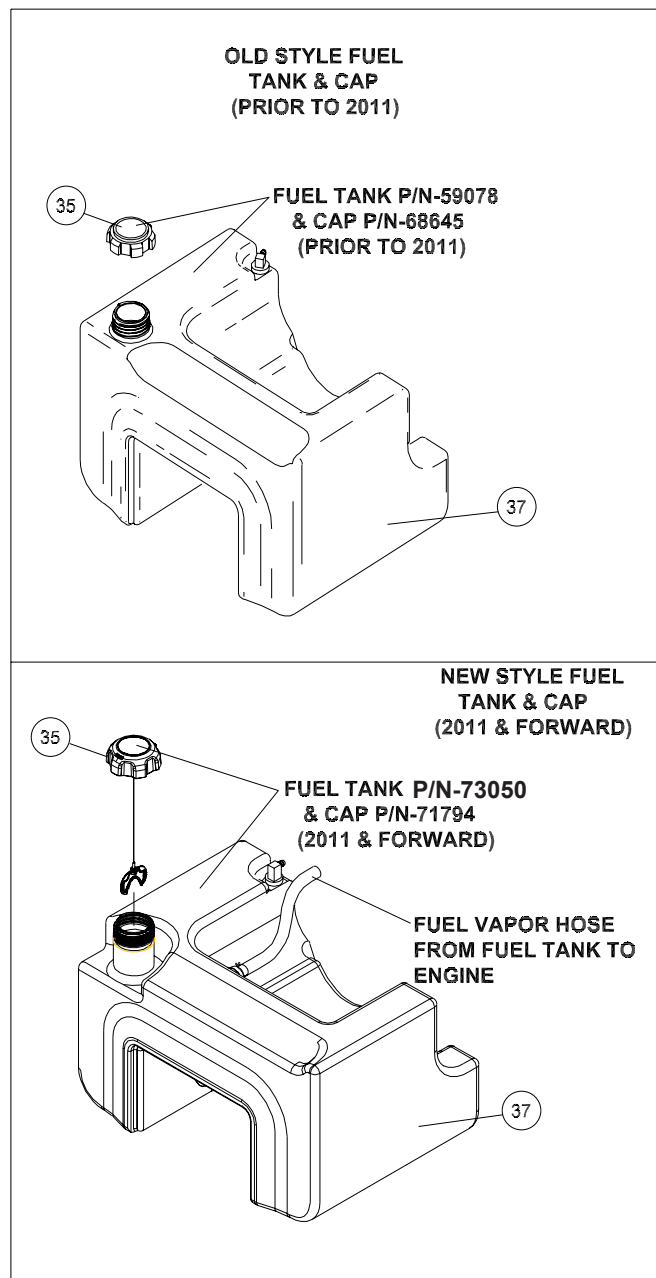
NOTE: When ordering a fuel tank (item 37) or fuel tank cap (item 35) **DO NOT MIX OLD STYLE TANK AND CAP WITH NEW STYLE TANK AND CAP.**

If you have a power unit and it was purchased prior to 2011 and need to replace the fuel tank or fuel tank cap, you must purchase the same tank and cap that came with your unit.

For example if you have a power unit prior to 2011 do not purchase a new style fuel tank, your engine will not be equipped with a fuel vapor fitting.

The old style fuel cap is a vented cap, while the new style fuel cap is not a vented cap and venting is achieved thru the vapor line.

The old style fuel tank has only one fuel line coming from the tank to the engine. The new style fuel tank has two lines coming from the fuel tank to the engine, one is the fuel line and the other is a fuel vapor line.



SPECIFICATIONS

Engine 20 h.p. Honda
 Fuel Capacity..... 5.5 gal / 20.8 ltr
 Fuel Type.....Unleaded Gasoline w/ 85 Octane Minimum
 Pressure Range..... 2000 psi/140 bar
 Flow Range 2 ea 5 gpm/20 lpm or 10 gpm/38 lpm
 CouplersHTMA/EHTMA Flush Face Type Male & Female
 Connect Size and Type-8 SAE
 Weight 1150 lb/523 kg
 Maximum Pay Load..... 1000 lb/454 kg
 Overall Length 78 in./198 cm
 Overall Width..... 36 in./92 cm
 Overall Height..... 43 in./109 cm
 Hydraulic Oil Capacity 3 Gallon/11 ltr

FILTERS

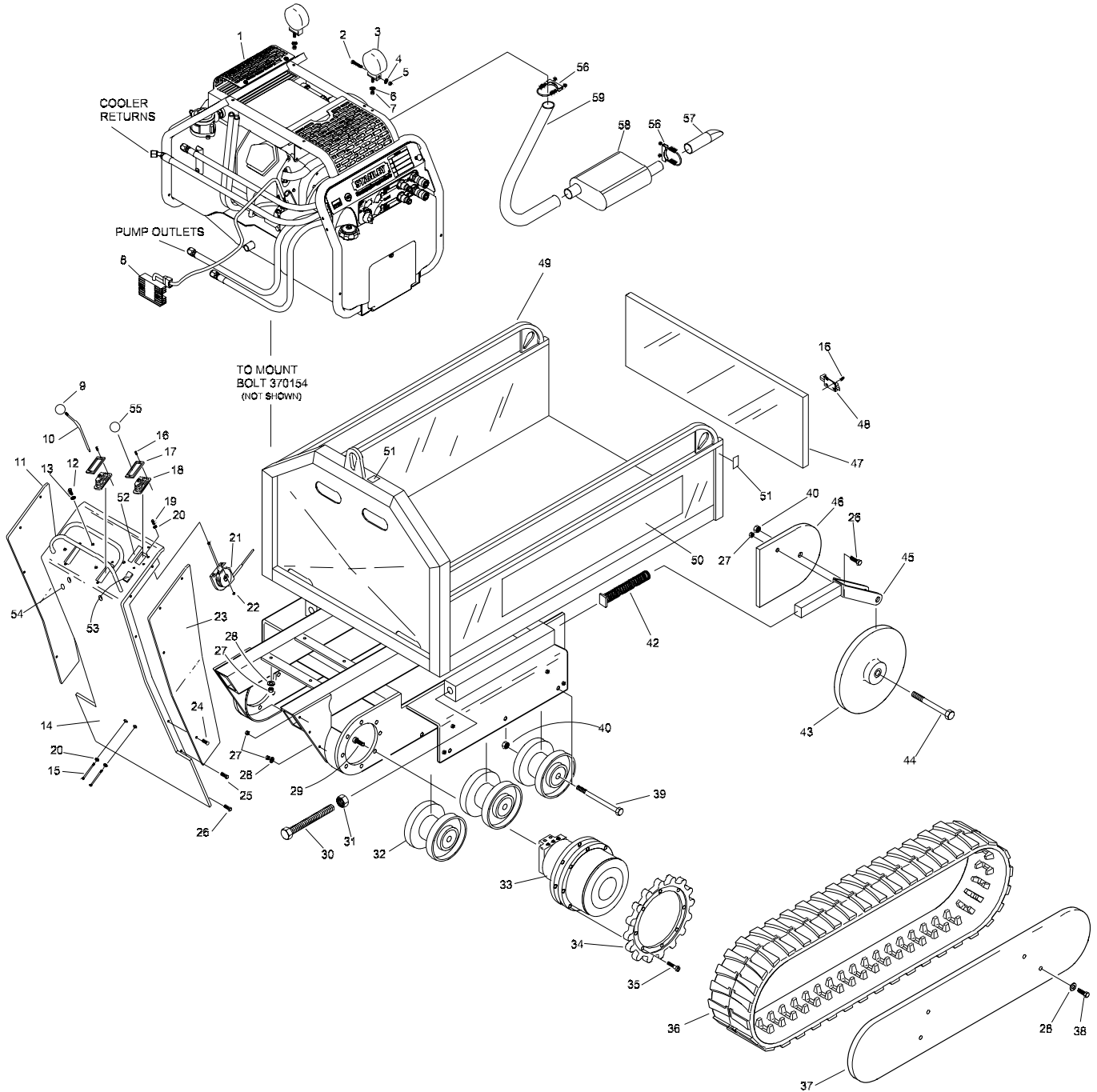
ENGINE			HYDRAULIC OIL FILTER	COMMENTS
OIL FILTER	AIR FILTER	FUEL FILTER		
40458	40459	40460	40408	HONDA

ACCESSORIES

DESCRIPTION	PART NUMBER
Coupler Nose, 3/8 Port, Bruning.....	03972
Coupler Body, 3/8 Port, Bruning.....	03973
Coupler Set, 3/8 Port , Bruning (includes nose & body).....	03971
Coupler Nose, 1/2 Port, Bruning.....	03975
Coupler Body, 1/2 Port, Bruning.....	03976
Coupler Set, 1/2 Port, Bruning (includes nose & body).....	03974
Hose Assy, 50 ft., with couplers (2 wire braid RR).....	58448
Hose Assy, 50 ft., with couplers.....	31848
Hose Assy, 25 ft., with couplers.....	31972
Hose Assy, 25 ft., with couplers (2 wire braid RR).....	58451
3-Point Lift Sling	68358

MHP3 PARTS ILLUSTRATION

MHP3 MAJOR PARTS ASSEMBLY ILLUSTRATION



ADJUSTING TRACK TENSION

- The track tension is adjusted with the unit lifted off the ground. Between the drive wheel and front idler wheel, there are 3 smaller rollers.
- Once the unit is lifted off the ground, adjust the track tension to achieve 3/8" to 1/2" sag below the center small roller.

MHP3 PARTS LIST

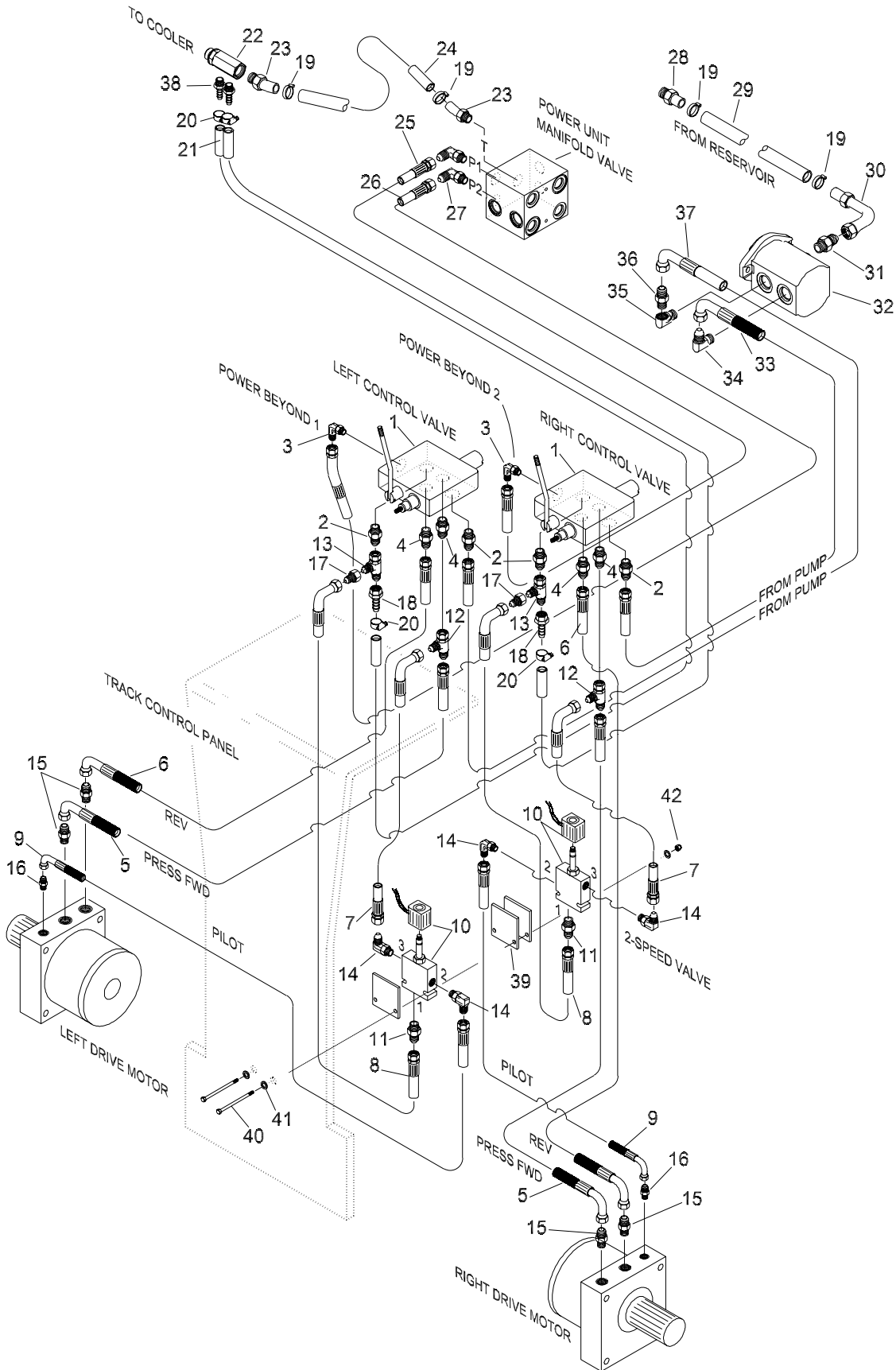
MHP3 PARTS LIST—MAJOR ASSEMBLY

ITEM	P/N	QTY	DESCRIPTION
1	GTR20H12	1	POWER UNIT
	GTR20H14	1	POWER UNIT
2	21319	2	CAPSCREW
3	69477	2	LIGHTS – 5" MULTIPURPOSE
4	69490	2	WASHER
5	00719	4	NUT (PART OF ITEM 3)
6	04539	2	WASHER
7		2	NUT (PART OF ITEM 3)
8		1	RECTIFIER
9	69488	2	KNOB
10	69753	2	VALVE HANDLE
11	69465	1	DASH SIDE COVER (L)
12	15661	4	CAPSCREW
13	04539	4	WASHER
14	69463	1	DASH
15	03947	2	CAPSCREW
16	69483	10	SCREW
17	39076	3	BOOT PLATE
18	38549	3	BOOT
19	69485	2	SCREW
21	69475	1	THROTTLE CABLE ASSY
20	04539	4	WASHER
23	69464	1	DASH SIDE COVER (R)
24	69484	8	SCREW
25	370162	4	CAPSCREW
26	370154	2	CAPSCREW
26	370154	2	CAPSCREW
27	04353	12	NUT
28	371067	14	WASHER
29	69491	16	CAPSCREW
30	69467	2	TENSIONER STUD
31	371513	2	NUT
32	69459	6	ROLLERS
33	69472	2	DRIVE MOTOR
34	69474	2	SPROCKET
35	24367	18	CAPSCREW
36	69473	2	RUBBER TRACK
37	69468	1	ROCK GUARD OUTER (R)
	69469	1	ROCK GUARD OUTER (L) (NOT SHOWN)
38	370151	8	CAPSCREW
39	69492	6	CAPSCREW
40	371514	8	NUT

ITEM	P/N	QTY	DESCRIPTION
42	69481	2	TENSIONER SPRING
43	69458	2	IDLER
44	68520	2	CAPSCREW
45	69466	2	IDLER YOKE
46	69470	2	ROCK GUARD INNER
47	69462	1	TAIL GATE
48	69482	2	LATCH
49	69461	1	MAIN BODY (MHP32242100)
	69756	1	MAIN BODY W/O BED (MHP32232100)
50	59046	2	TRACHORSE STICKER
51	47352	3	LIFT POINT STICKER
52	68335	1	THROTTLE STICKER
55	69476	1	THROTTLE KNOB
53	69486	1	2 SPEED SWITCH
54	69487	2	PLUG
56	69489	2	EXHAUST CLAMP
57	69480	1	EXHAUST TURN-DOWN
58	69479	1	MUFFLER
59	69478	1	EXHAUST PIPE
	68334	1	DASH DECAL
	00719	2	NUT, VALVE TO DASH (NOT SHOWN)
	370154	4	CAPSCREW

MHP3 PARTS ILLUSTRATION

HOSE & FITTING ILLUSTRATION



MHP3 PARTS LIST

MHP3 PARTS LIST—HOSE & FITTING

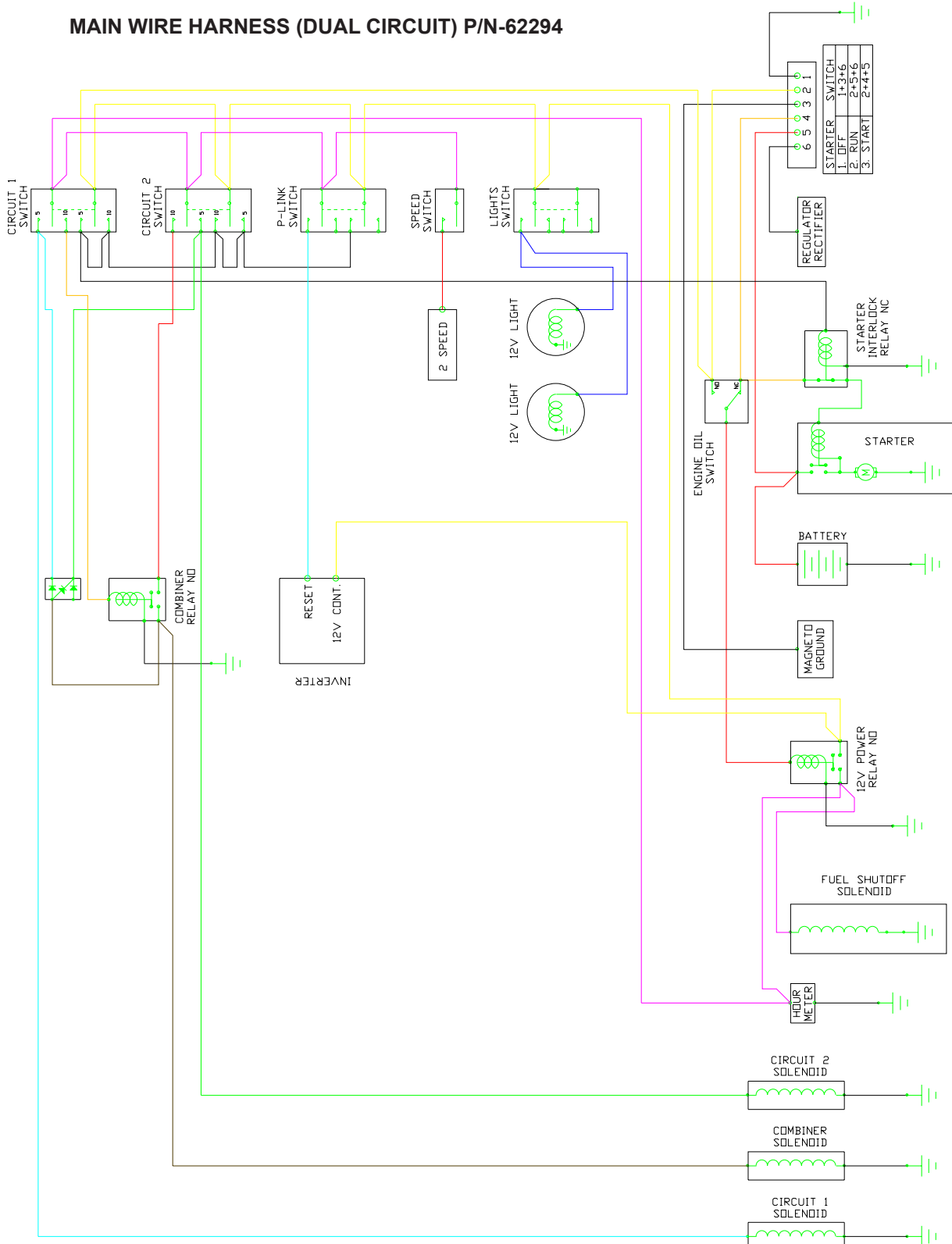
ITEM	P/N	QTY	DESCRIPTION
1	69493	2	CONTROL VALVE
2	69495	4	STRAIGHT THREAD ADAPTOR
3	69496	2	STRAIGHT THREAD ELBOW
4	69497	4	STRAIGHT THREAD ADAPTOR
5	69503	2	HOSE ASSEMBLY
6	69504	2	HOSE ASSEMBLY
7	69505	2	HOSE ASSEMBLY
8	69506	2	HOSE ASSEMBLY
9	69507	2	HOSE ASSEMBLY
10	69494	2	SOLENOID VALVE
11	18556	2	STRAIGHT THREAD CONNECTOR
12	69500	2	SWIVEL NUT RUN TEE
13	350044	2	SWIVEL NUT RUN TEE
14	350059	4	STRAIGHT THREAD ELBOW
15	69501	4	STRAIGHT THREAD ADAPTOR BSPP-37° JIC
16	69502	2	STRAIGHT THREAD ADAPTOR BSPP-37° JIC
17	69498	2	REDUCER
18	69499	2	FEMALE JIC 37° SWIVEL
19	62199	4	HOSE CLAMP
20	08045	4	HOSE CLAMP
21	04875	2	HOSE, 54 IN. LONG
22	68083	1	EXTENSION ELBOW ASSY
23	40364	2	ELBOW 45-DEG -12 SAE 3/4 PUSH ON
24	04306	1	HOSE ASSY 18 IN. LONG
25	68547	1	HOSE ASSY
26	68546	1	HOSE ASSY
27	04860	2	STRAIGHT THREAD ELBOW
28	59105	1	ADAPTER 3/4 NPT × 3/4 HOSE
29	59089	1	HOSE 19 INCH LONG
30	58569	1	ELBOW
31	02773	1	STRAIGHT THREAD CONNECTOR
32	27695	1	HYD PUMP
33	68374	1	HOSE ASSY
34	68500	1	ELBOW
35	06960	1	ELBOW
36	350103	1	MALE CONNECTOR 10-8 FTX

ITEM	P/N	QTY	DESCRIPTION
37	68373	1	HOSE ASSY
38	04867	2	HOSE END BARB
39	69508	3	PLATE
40	03947	2	CAPSCREW
41	04539	4	WASHER
42	00719	2	NUT
	68501	1	FIRE SLEEVE (NOT SHOWN) (PROTECTS ITEM 29 HOSE)

MHP3 PARTS ILLUSTRATION

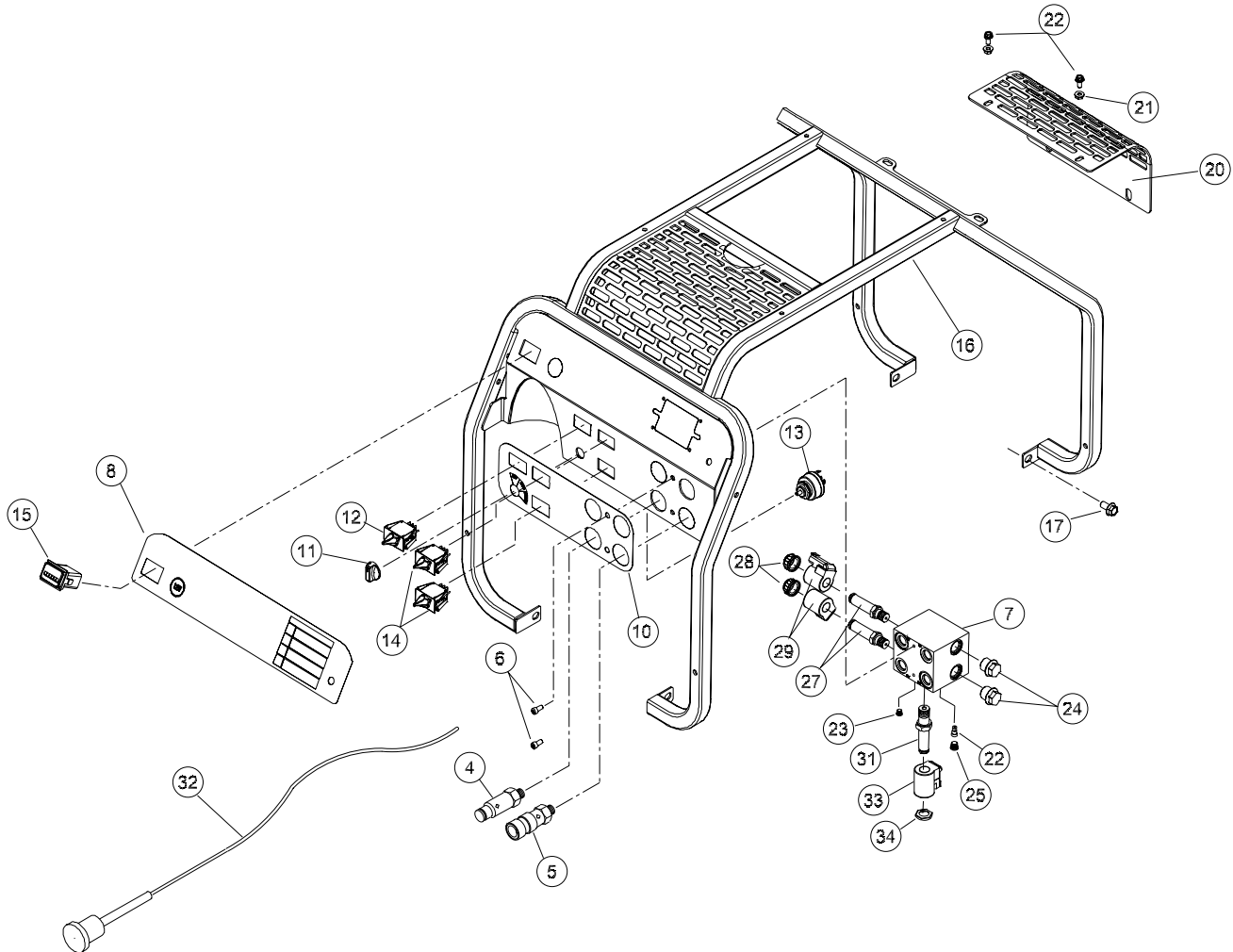
MHP3 ELECTRIC WIRING SCHEMATIC

MAIN WIRE HARNESS (DUAL CIRCUIT) P/N-62294



MHP3 PARTS ILLUSTRATION

MHP3 POWER UNIT FRAME ILLUSTRATION & PARTS LIST

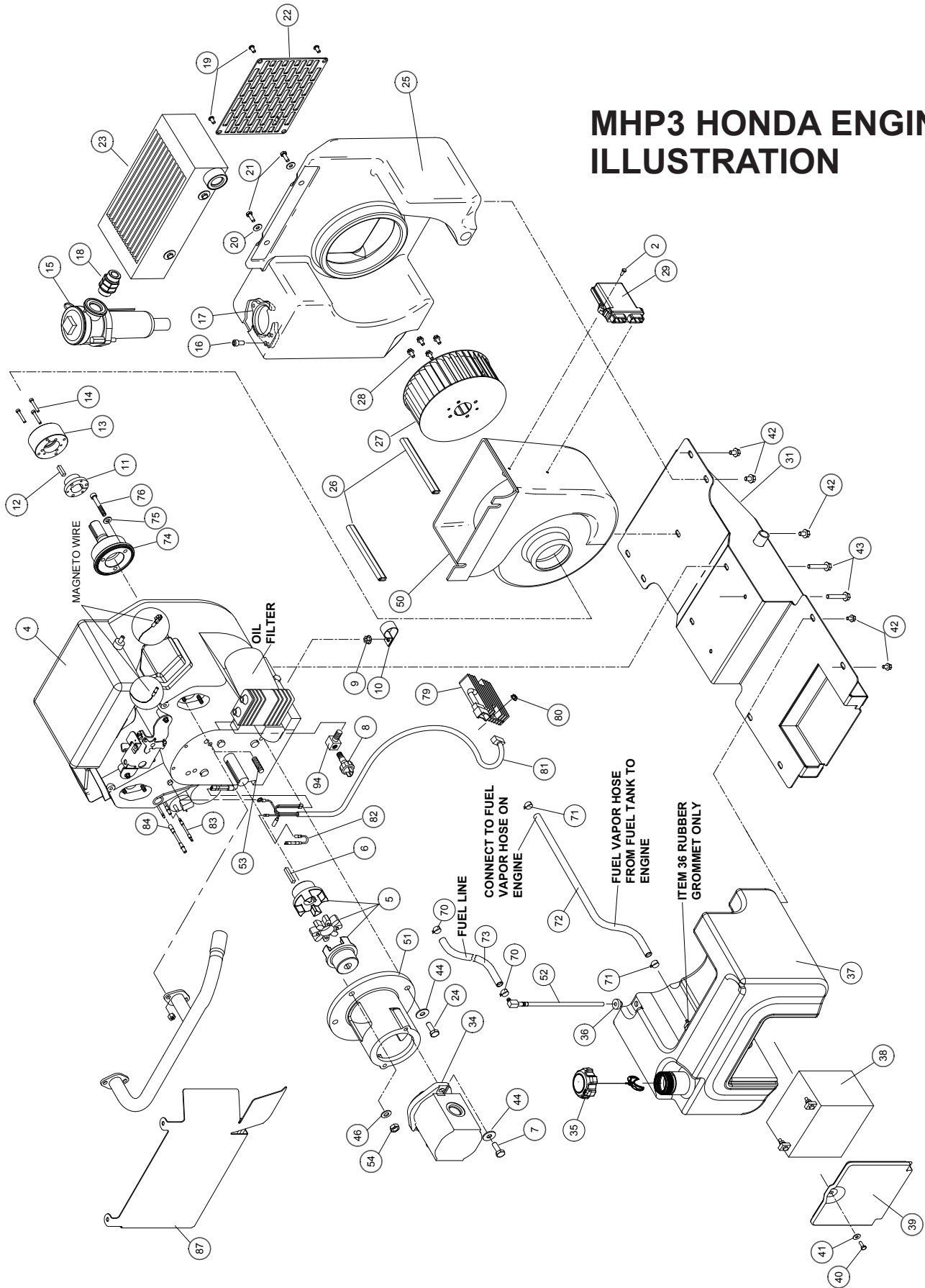


ITEM	P/N	QTY	DESCRIPTION
4	58718	2	COUPLER SET (GTR20H12)
	66784	2	COUPLER SET (GTR20H14)
5	58718	2	COUPLER SET (GTR20H12)
	66785	2	COUPLER SET (GTR20H14)
6	60962	2	CAPSCREW, 1/4 IN. -20
7	69802	1	MANIFOLD ASSY, DUAL CIRCUIT (INCL 22-25, 27-29, 31, 33, 34)
8	59126	1	DASH DECAL
10	68336	1	DECAL, DUAL CIRCUIT
11	60963	1	KNOB (PART OF ITEM 13)
12	60955	1	2-WAY SWITCH
13	67899	1	ROTARY SWITCH
14	60956	2	3-WAY SWITCH
15	60946	1	HOUR METER
16	66065	1	FRAME WELDMENT
17	23530	2	HEX FLANGE BOLT, 3/8 IN. -16

ITEM	P/N	QTY	DESCRIPTION
20	59079	1	COOLER GUARD
21	59095	2	FLANGE NUT, 1/4 IN. -20
22	59074	2	HEX FLANGE BOLT
23	35004	1	1 HOLLOW HEX PLUG 4 SAE
24	68528	2	PORT PLUG
25	8104	1	HOLLOW HEX PLUG 6 SAE
27	62319	2	DIRECTIONAL VALVE
28		2	CAP (INCL WITH ITEM 27)
29	60958	2	COIL
31	60960	1	COMBINER VALVE
32	62298	1	CHOKE CABLE ASSY
33	62320	1	SOLENOID COIL
34		1	NUT (INCL WITH ITEM 31)

MHP3 PARTS ILLUSTRATION

MHP3 HONDA ENGINE ILLUSTRATION



MHP3 PARTS LIST

MHP3 HONDA ENGINE PARTS LIST

ITEM	P/N	QTY	DESCRIPTION
4	73646	1	HONDA ENGINE ASSY (INCLUDES: RECTIFIER, RECTIFIER HARNESS, EXHAUST MANIFOLD, STUB SHAFT AND MISC HARDWARE. NOTE: THIS ENGINE CHANGED IN LATE JULY 2014 INCLUDING A DIFFERENT ENGINE OIL FILTER ORIENTATION. IF REPLACING THE ENGINE ON AN OLDER UNIT YOU SHOULD ALSO PURCHASE ITEM 94.
5	56656	1	COUPLING
6	7819	1	SQUARE KEY
7	7860	2	CAPSCREW, 3/8-16 x 1-1/4
8	31765	1	PRESSURE SWITCH
9	12787	4	FLANGE NUT, 5/16
10	24287	1	CLAMP
11	59076	1	BUSHING
12	20990	1	KEY
13	59103	1	BLOWER HUB
14	111	3	CAPSCREW, 10-24
15	40080	1	FILTER ASSY
16	43687	1	CAPSCREW, M8 x 16
17	64937	1	GRIP PLATE
18	51292	1	STD THREAD UNION
19	17821	4	BUTTON HEAD HS, 1/4 x 20
20	60945	3	WASHER, 1/4 IN. ID
21	15476	3	CAPSCREW, 1/2 -20 UNC
22	59080	1	FRONT GRILLE
23	59091	1	COOLER
24	7860	2	CAPSCREW, 3/8-16
25	68499	1	HYDRAULIC TANK
26	62296	2	WEATHER STRIP
27	65107	1	BLOWER WHEEL-BRAZED
28	59074	4	HEX FLANGE BOLT, 1/4 -20
31	58897	1	FRAME BASE WELDMENT
34	27695	1	PUMP, DUAL
35	71794	1	FUEL CAP
36	60920	2	GROMMET
37	73050	1	FUEL TANK
38	4303	1	BATTERY
39	60921	1	BATTERY COVER
40	15476	1	CAPSCREW, 1/4-20
41	60945	1	WASHER, 1/4
42	40433	9	HEX FLANGE BOLT, 5/16
43	58942	4	HEX FLANGE BOLT, 5/16

ITEM	P/N	QTY	DESCRIPTION
44	1459	4	LOCKWASHER, 3/8
46	18893	4	FLANGE NUT
50	59083	1	BLOWER HOUSING
51	56655	1	PUMP MOUNT
52	60919	1	FUEL ELBOW
53	62385	2	STUD
54	371503	1	NUT
70	72317	1	5/16" SPRING HOSE CLAMP
71	72848	2	7/16" SPRING HOSE CLAMP
72	72846	1	FUEL VAPOR HOSE 30"
73	72242	1	FUEL HOSE 36"
74	71586	1	STUB SHAFT
75	60949	3	WASHER
76	60950	3	SHCS, M8 x 55
79		1	RECTIFIER (PART OF ENGINE ASSY)
81	37294	1	WIRE HARNESS
83	62404	1	MAG KILL WIRE
84	62405	1	FUEL SHUTOFF WIRE
87	72238	1	HEAT SHIELD
89	68136	1	EXHAUST MANIFOLD (PART OF ENGINE ASSY)
90		2	NUT
91	66788	1	SIGHT GAGE (NOT PICTURED)
92	62332	1	WIRE ASSY, BLACK
93	35395	1	WIRE ASSY, RED
94	69387	1	90° 1/8 NPT STREET ELBOW
	62294	1	MAIN WIRE HARNESS (DUAL CIRCUIT)

STANLEY®

Stanley Hydraulic Tools
3810 SE Naef Road
Milwaukie, Oregon 97267-5698 USA
(503) 659-5660 / Fax (503) 652-1780
www.stanleyhydraulics.com