

LABOUNTY



MRP

ROTATING PULVERIZER

PARTS MANUAL

519015 Parts Manual 4/2024 Ver. 10

PREFACE

This manual contains information for the safe operation and maintenance of the LaBounty MRP Processor. Read the entire manual before the initial start-up of the attachment. It is important to know the correct operating procedures of the attachment and all safety precautions to prevent the possibility of property damage and personal injury.

The LaBounty attachment has been designed and manufactured with high quality materials and care in workmanship. The instructions in this manual have been prepared to ensure that, when followed properly, the attachment will provide efficient and reliable service. Continuing product development and improvement may have caused changes in the attachment that are not reflected in this manual. If a question arises regarding the operation or maintenance of the attachment, contact a LaBounty dealer for the most current information available.

IMPORTANT

This operator's manual must accompany the attachment at all times and be readily available to the operator.

MANUAL REPLACEMENT

Should this manual become damaged, lost or additional copies are required, immediately contact any authorized LaBounty dealer. You may also download a PDF copy on the LaBounty website.

REGISTRATION FORM

The Warranty Registration Form must be filled out by the dealer or customer and returned to LaBounty indicating the date the machine went into service.

POSSIBLE VARIATIONS

LaBounty cannot anticipate every possible circumstance that might involve a potential hazard, as the owner's requirements and equipment may vary. Therefore, the warnings in this publication and on the product may not be all-inclusive and you must ensure that the procedure, application, work method and operating technique is safe for you, and others, before operation.

PUBLIC NOTICE

LaBounty reserves the right to make changes and improvements to its products and technical literature at any time, without public notice or obligation. LaBounty also reserves the right to discontinue manufacturing any product at its discretion, at any time.

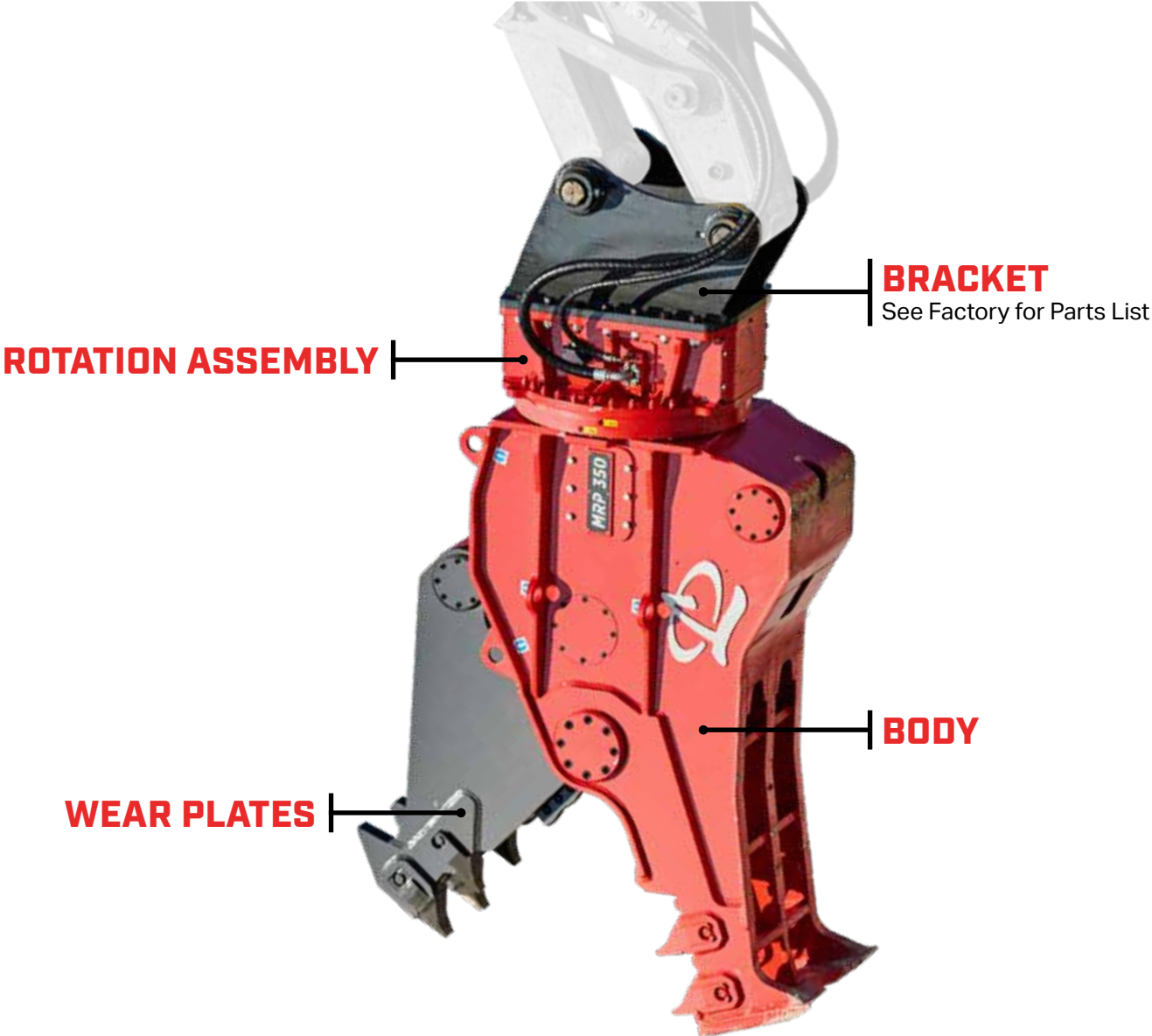
WARRANTY

All work or repairs to be considered for warranty reimbursement must be authorized by the LaBounty Service Department before work is started. Any alterations, modifications or repairs performed before authorization by the LaBounty Service Department will render all warranty reimbursement consideration null and void without exception. Improper operation or improperly performed maintenance may render any warranty null and void.



CONTENTS

SAFETY	5
MRP90	8
Body	8
Rotation	10
Wear Plates	12
MRP130	13
Body	13
Rotation	15
Wear Plates	17
MRP150	18
Body	18
Rotation	20
MRP200	22
Body	22
Rotation	24
Wear Plates	26
MRP250	27
Body	27
Rotation	29
MRP350	31
Body	31
Rotation	33
Wear Plates	35
MRP500	36
Body	36
Rotation	38
Wear Plates	40
HYDRAULIC SCHEMATIC	41
WEAR PART KITS	42
Blade Kits	42
Wear Kits	42

TERMS



SAFETY

	The Safety Alert Symbol alerts you to potential personal injury hazards. Obey all safety messages that follow to avoid possible injury or death.
	Indicates an imminently hazardous situation which will result in death or serious injury.
	Indicates a potentially hazardous situation which could result in death or serious injury.
	Indicates hazards that could result in damage to the equipment or personal injury
	Indicates important procedures



Your safety and the safety of others is a direct result of how you operate and maintain your equipment. Read and understand this manual and other safety information provided with the base machine and be sure that you understand all controls and operating

instructions before attempting to operate this equipment. Failure to follow the safety precautions can result in personal injury, death or property damage.

Carefully read all safety messages in this manual and on your equipment safety signs. Keep safety signs in good condition. Replace missing or damaged safety signs.

Because LaBounty cannot foresee all hazardous circumstances, the precautions listed in this manual and on the equipment are not all-inclusive. If a procedure, method, tool or part is not specifically recommended by LaBounty, determine whether it is safe for you and others, and that the equipment will not be damaged or made unsafe as a result of your decision to implement it.

The basic rules are summarized in this section of the manual. They also appear throughout the manual along with additional specific rules for safety and operation.

GENERAL

- If the attachment is not functioning properly, shut down the machine, follow proper Lock-out / Tag-out procedures and follow proper repair procedures.
- Remove and replace any damaged or worn parts

- with parts recommended by LaBounty. Use of parts that are not factory approved may cause damage or unnecessary downtime and may void the warranty.
- NEVER operate equipment without the original safety guards in place.
- DO NOT process material with the attachment over the operator's cab. Doing so will result in severe personal injury or death from falling debris.
- DO NOT attempt to process brittle materials, such as axles and railroad rail. DO NOT process any material in a position that may propel it toward the operator, other workers, buildings or equipment.
- Clear all persons and equipment from the area of operation and machine movement. NEVER move loads over people or equipment. When viewing the operation of the attachment, maintain a safe distance of at least 75 feet (23 meters).
- NEVER approach power lines with any part of the machine. Keep clear at a minimum of 15 feet (5 meters).
- DO NOT close the attachment on a structure and reverse the excavator in an attempt to pull down material.
- DO NOT use the attachment in explosive, or potentially explosive, environments. Use in a well ventilated area.
- Use of this tool on certain materials could generate dust potentially containing a variety of hazardous substances, such as, asbestos, silica or lead. Inhalation of dust containing these, or other hazardous substances could result in serious injury, cancer or death. Protect yourself and those around

you. Research and understand the materials you are processing. Follow safety procedures and comply with all applicable national, state or provisional health and safety regulations relating to them. If appropriate, arrange for the safe disposal of the materials by a qualified person.

- Disassembly of any pin-connected attachment can be hazardous. NEVER remove any pin unless the attachment is on the ground and blocked up. Serious injury or death could result. Metal chips or debris may fly when a connecting pin is struck. Use a brass drift when striking pins and always wear protective clothing and proper eye protection. Pins may fly when struck with force to drive them in or out. Always keep people clear when removing or installing pins.
- Do not operate this, or any other equipment, under the influence of drugs or alcohol.
- DO NOT modify LaBounty equipment without factory authorization. This equipment is designed to do a specific job and alterations could result in injury.
- ALWAYS lower the boom to the ground before leaving the cab. If it is necessary to work on an attachment off the ground, securely support the machine and attachment. DO NOT support the machine on cinder blocks, hollow tiles or props that may crumble under continuous load. DO NOT rely on a cylinder to hold the attachment in the air. If a control is moved or hydraulic pressure is otherwise released, the attachment may drop. DO NOT work under a machine that is supported only by a jack.
- DO NOT weld on any structural member unless specifically authorized by LaBounty. Unauthorized welding will void the warranty, may cause structural failure and could result in personal injury.
- Keep clear of potential pinch points, including the moving upper jaw, cylinder connections, bucket linkages and other moving parts.
- Before operating the attachment, read and observe all safety instructions in the Operation & Maintenance manual. If you are unfamiliar with any operation or maintenance procedure, seek instruction before proceeding.
- Inspect the attachment daily. Do not operate a poorly maintained or damaged attachment.
- Never operate a machine if an unsafe condition exists. Attach a "Do Not Operate" tag to the machine.

SAFELY OPERATE EQUIPMENT

- Establish a training program for all operators to ensure safe operation.
- Do not operate the tool or attachment unless thoroughly trained or under the supervision of a qualified operator or instructor.
- Know and obey all OSHA regulations, local laws, and other professional guidelines for your operation.
- Know your work site safety rules. When in doubt on

any safety issue, contact your supervisor or safety coordinator.

- Assess risks to yourself and others around you before operating the tool or attachment. Start in a work area without bystanders and assess the risks to bystanders including, but not limited to, the risk of serious injury or death caused by the tool or accessories dropped from an elevated height.
- Do not operate the equipment from anywhere other than the correct operator's position.
- Do not alter or remove any safety feature from the prime mover or tool.
- Stay alert, watch what you are doing and use common sense when operating the tool. Do not operate the tool or attachment if you are tired or under the influence of drugs, alcohol or medication. A moment of inattention while operating the tool may result in serious injury.

BASE MACHINE

- Ensure that the cab is equipped with the proper safety guards for LaBounty applications. The cab MUST be equipped with an approved Falling Object Protection Structure (FOPS) and cab guarding. The FOPS must meet the requirements of SAE standard J1356. A transparent, shatter-resistant shield covering the front of the cab, is also required. Contact your base machine equipment dealer or manufacturer for more information on the availability of FOPS and cab guarding. Lack of proper FOPS and guards may result in injury or death.
- Avoid tipping. The attachment will alter the lift capacities of the base machine. DO NOT overload the excavator or serious injury could result. Lift capacities will vary if the base machine is not on level ground. Lifting incorrectly can cause severe injury or machine damage. Use the recommended excavator counterweight. Use short slings and lift the load only as high as necessary.
- DO NOT allow riders on the machine. Riders are subject to serious injuries, such as being struck by foreign objects or being thrown off the machine. Riders also distract and obstruct the operator, resulting in the machine being operated in an unsafe manner. NEVER use the attachment as a work platform or personnel carrier.
- Check ground conditions before operating. Avoid unstable or slippery areas and position the base machine on firm, level ground. If level ground is not possible, position the base machine to use the attachment to the front or back of the carrier. Avoid working over the side of the base machine.

HYDRAULIC

- Hydraulic oil becomes hot during operation. DO NOT come in contact with hot hydraulic oil as it could cause

severe burns. Wear adequate protective clothing and safety equipment.

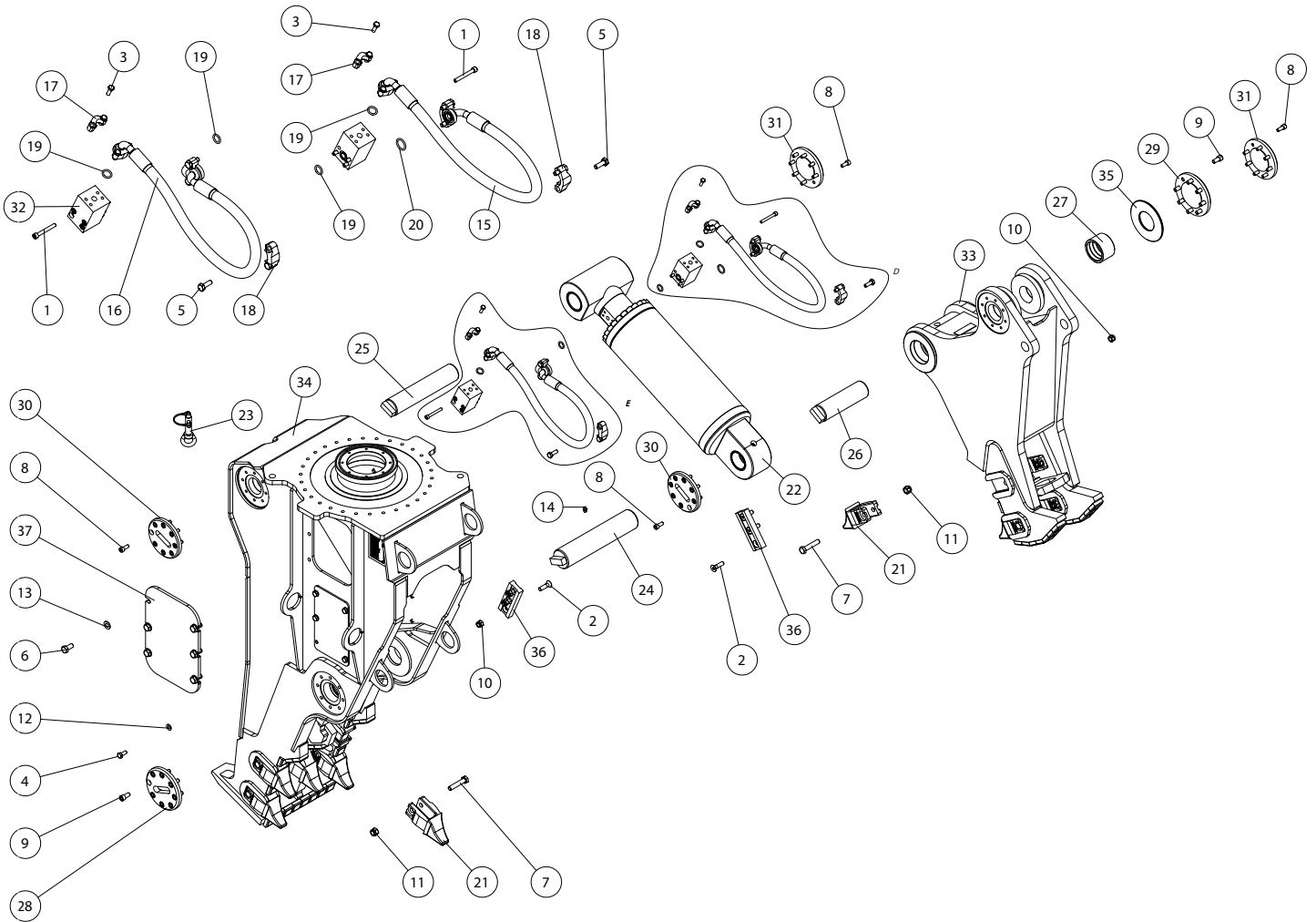
- DO NOT tamper with hydraulic lines or components while they are pressurized. Escaping fluid under pressure can penetrate the skin, causing serious injury. Keep hands and body away from pinholes and nozzles which eject fluids under high pressure. Use a piece of cardboard to search for leaks. If ANY fluid is injected into the skin, seek immediate medical assistance.

PPE

- ALWAYS wear close-fitting clothing and safety equipment appropriate to the job. Safety equipment should be worn at all times when viewing, operating or maintaining the attachment. Safety equipment includes eye protection, hard hat, steel toe shoes, gloves, hearing protection and respirator.

MRP90

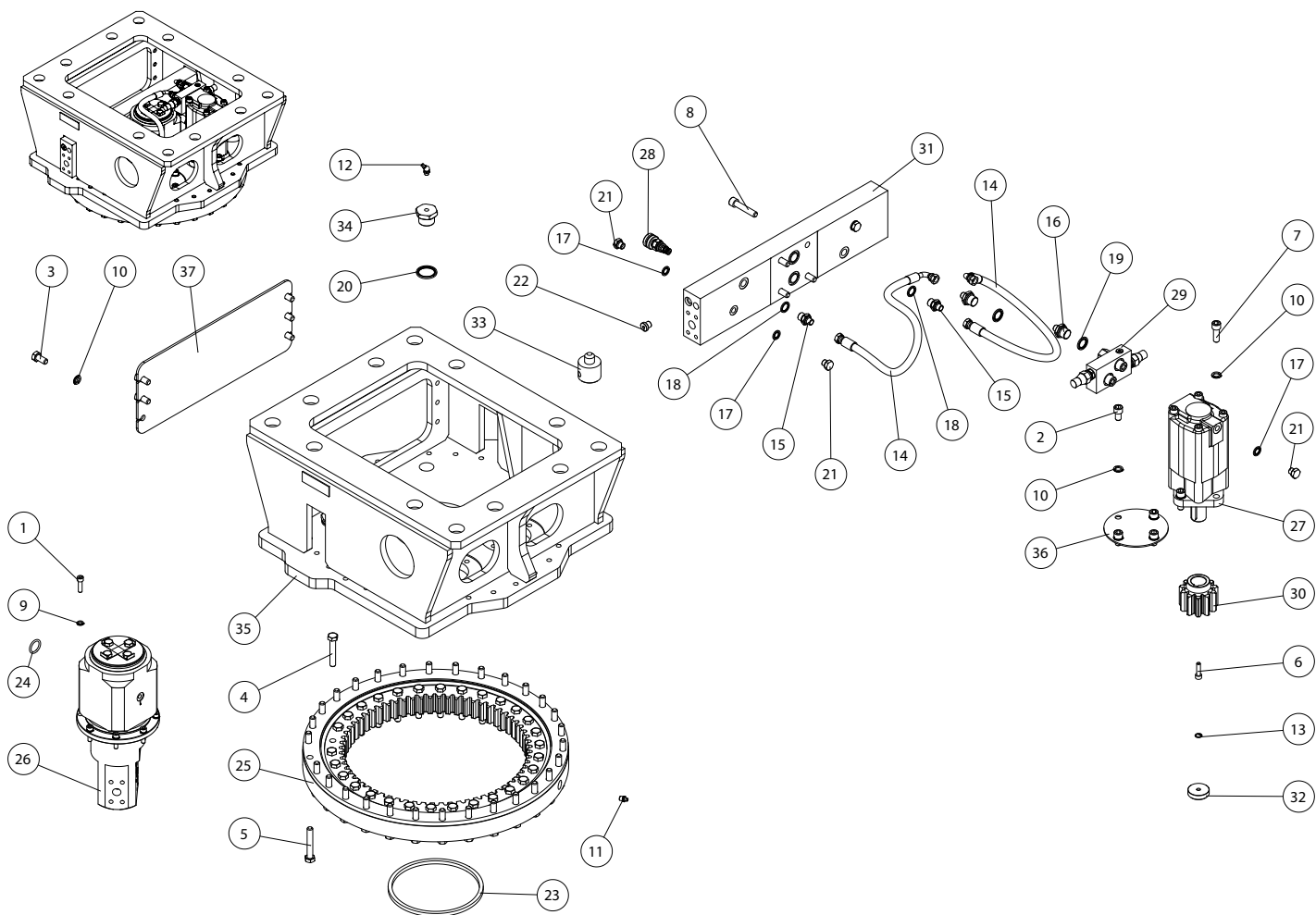
BODY



MRP90 Body			
Item	Qty	Description	Part Number
1	8	SOCKET HEAD CAPSCREW	519148
2	6	SOCKET HEAD CAPSCREW	See "MRP Blade Kits" on page 42
3	8	HEX HEAD CAPSCREW	519150
4	12	HEX HEAD CAPSCREW	518192
5	8	HEX HEAD CAPSCREW	519152
6	12	HEX HEAD CAPSCREW	518195
7	9	HEX HEAD CAPSCREW	See "Wear Kits" on page 42
8	32	SOCKET HEAD CAPSCREW	519154
9	16	SOCKET HEAD CAPSCREW	519155

MRP90 Body			
Item	Qty	Description	Part Number
10	6	HEX NUT W/NYLOCK	See "MRP Blade Kits" on page 42
11	9	HEX NUT W/NYLOCK	See "Wear Kits" on page 42
12	12	FLAT WASHER	518201
13	12	FLAT WASHER	518202
14	1	GREASE ZERK	518203
15	1	HOSE ASSEMBLY	519156
16	1	HOSE ASSEMBLY	519157
17	4	SPLIT FLANGE HALF	519158
18	4	SPLT FLANGE HALF	518905
19	4	O RING SEAL	519159
20	2	ORING SEAL	518906
21	9	CUTTING EDGE	See "Wear Kits" on page 42
22	1	CYLINDER ASSEMBLY	519162
23	1	PIN MACHINING	519163
24	1	PIN MACHINING	519164
25	1	PIN MACHINING	519165
26	1	PIN MACHINING	519166
27	2	BEARING MACHINING	519167
28	1	PIN RETAINER	519168
29	1	PIN RETAINER	519170
30	2	PIN RETAINER	519171
31	2	PIN RETAINER	519172
32	2	MANIFOLD MACHINING	519173
33	1	MRP 90 UPPER	519174
34	1	MRP 90 STICK	519175
35	2	SPACER SHIM	519176
36	2	CUTTING EDGE	See "MRP Blade Kits" on page 42
37	2	COVER PLATE	518226

ROTATION



MRP90 Rotation			
Item	Qty	Description	Part Number
1	8	SOCKET HEAD CAPSCREW	519180
2	4	SOCKET HEAD CAPSCREW	519181
3	6	HEX HEAD CAPSCREW	518706
4	30	HEX HEAD CAPSCREW	519182
5	30	HEX HEAD CAPSCREW	519183
6	1	SOCKET HEAD CAPSCREW	519184
7	4	SOCKET HEAD CAPSCREW	518708
8	4	SOCKET HEAD CAPSCREW	518956
9	8	FLAT WASHER	519185
10	14	FLAT WASHER	518354
11	2	GREASE ZERK	518203

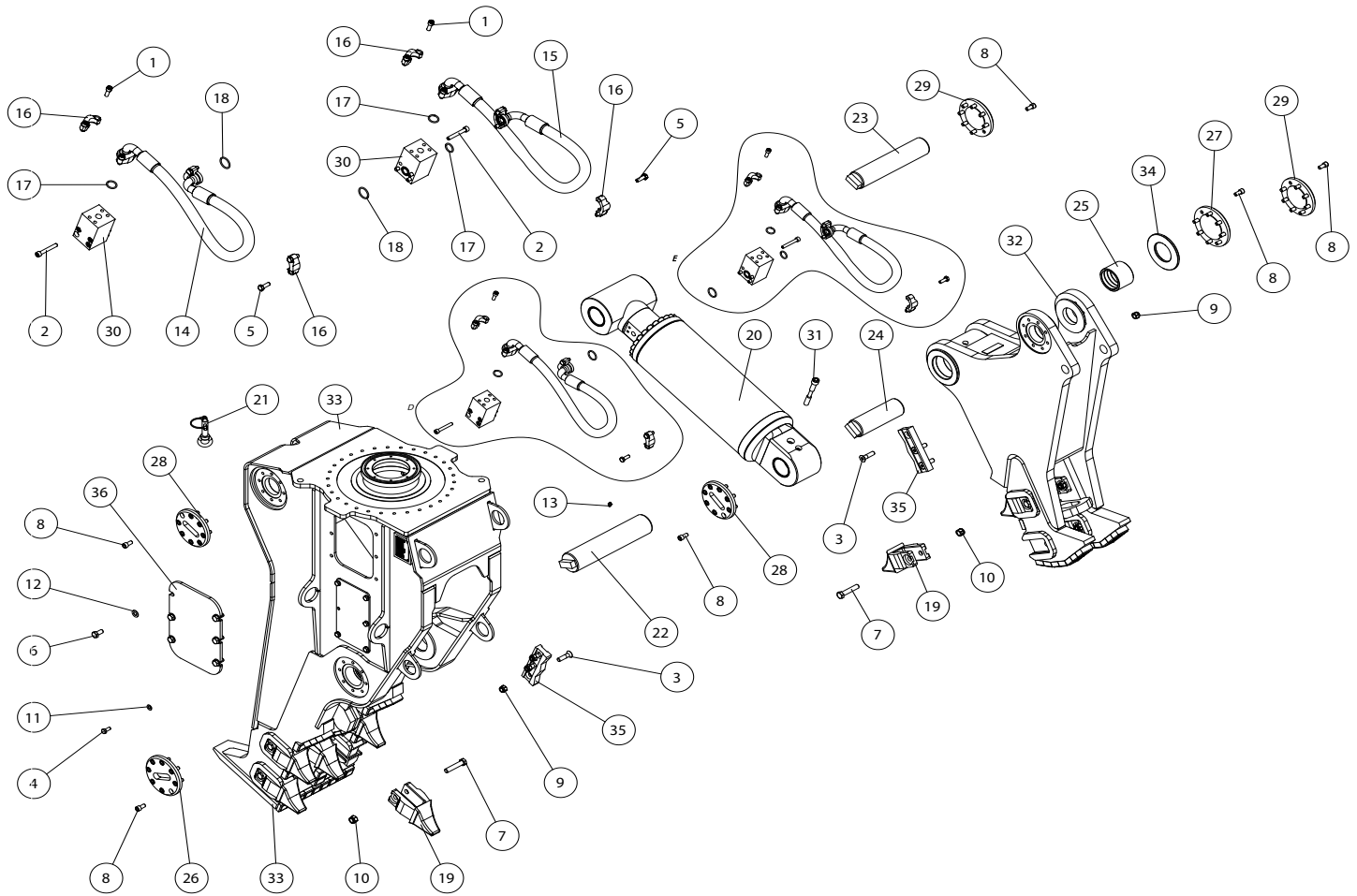
MRP90 Rotation			
Item	Qty	Description	Part Number
12	2	GREASE ZERK	519186
13	1	SNAP RING	519188
14	2	HOSE ASSEMBLY	519189
15	2	HOSE ADAPTOR	519190
16	2	HOSE ADAPTOR	518746
17	5	FLAT WASHER	518308
18	2	FLAT WASHER	519191
19	2	FLAT WASHER	518720
20	2	FLAT WASHER	518975
21	5	HYDRAULIC ADAPTOR PLUG	518310
22	2	HYDRAULIC ADAPTOR PLUG	518397
23	1	RING SEAL	519192
24	2	ORING SEAL	518906
25	1	TURNTABLE BEARING	519193
26	1	HYDRAULIC ROTATION DISTRIBUTOR	519194
27	1	HYDRAULIC MOTOR	519195
28	2	HYDRAULIC ADAPTOR	518728
29	1	RELIEF VALVE	519197
30	1	PINION GEAR	519198
31	1	MANIFOLD MACHINING	519199
32	1	PLATE MACHINING	519200
33	2	PIN RETAINER	519201
34	2	HYDRAULIC ADAPTOR PLUG	519202
35	1	UPPERHEAD WELDMENT MACHINING	519203
36	1	COVER PLATE	519204
37	1	COVER PLATE	519206

WEAR PLATES

MRP90 Wear Plates			
Item	Qty	Description	Part Number
1	1	CHOCKY BAR WEAR KIT	519227
2	1	WEAR PLATE KIT	519226

MRP130

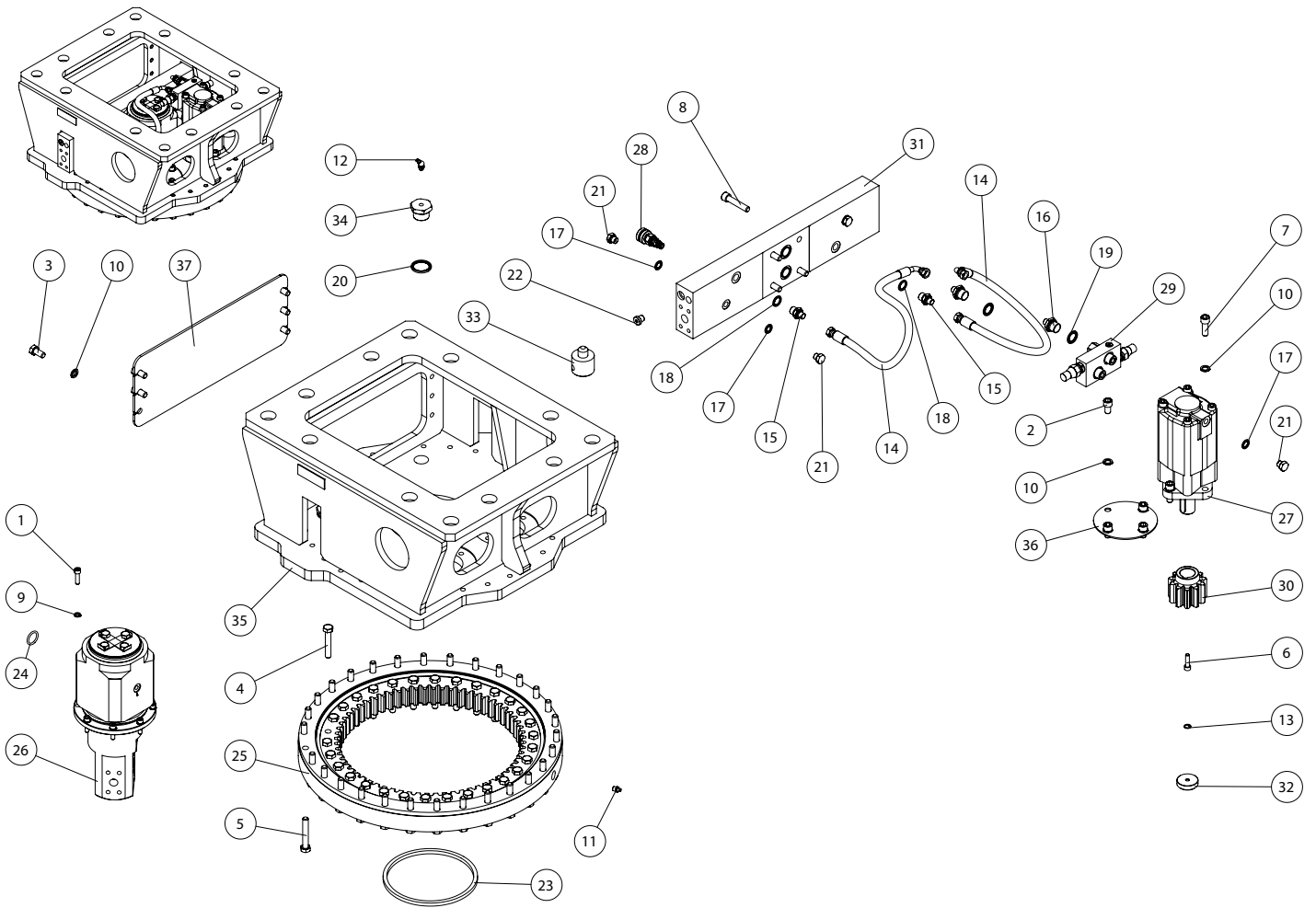
BODY



MRP130 Body			
Item	Qty	Description	Part Number
1	8	SOCKET HEAD CAPSCREW	518897
2	8	SOCKET HEAD CAPSCREW	518898
3	6	SOCKET HEAD CAPSCREW	See "MRP Blade Kits" on page 42
4	12	HEX HEAD CAPSCREW	518192
5	8	HEX HEAD CAPSCREW	519152
6	12	HEX HEAD CAPSCREW	518195
7	9	HEX HEAD CAPSCREW	See "Wear Kits" on page 42
8	48	SOCKET HEAD CAPSCREW	519155

MRP130 Body			
Item	Qty	Description	Part Number
9	6	HEX NUT W/NYLOCK	See "MRP Blade Kits" on page 42
10	9	HEX NUT W/NYLOCK	See "MRP Blade Kits" on page 42
11	12	FLAT WASHER	518201
12	12	FLAT WASHER	518202
13	1	GREASE ZERK	518203
14	1	HOSE ASSEMBLY	519706
15	1	HYDRAULIC HOSE	519707
16	8	SPLT FLANGE HALF	518905
17	4	ORING SEAL	518906
18	2	O RING SEAL	518205
19	9	CUTTING EDGE	See "Wear Kits" on page 42
20	1	CYLINDER ASSEMBLY	519236
21	1	PIN MACHINING	519163
22	1	PIN MACHINING	519400
23	1	PIN MACHINING	519237
24	1	PIN MACHINING	519401
25	2	BEARING MACHINING	519266
26	1	PIN RETAINER	518912
27	1	PIN RETAINER	518915
28	2	PIN RETAINER	519168
29	2	PIN RETAINER	519170
30	2	MANIFOLD MACHINING	518916
31	1	SOCKET HEAD CAPSCREW	519708
32	1	UPPER WELDMENT MACHINING	519709
33	1	STICK WELDMENT MACHINING	519710
34	2	SPACER SHIM	519260
35	2	CUTTING EDGE	See "MRP Blade Kits" on page 42
36	2	COVER PLATE	518226

ROTATION



MRP130 Rotation			
Item	Qty	Description	Part Number
1	8	SOCKET HEAD CAPSCREW	519180
2	4	SOCKET HEAD CAPSCREW	519181
3	6	HEX HEAD CAPSCREW	518706
4	30	HEX HEAD CAPSCREW	519182
5	30	HEX HEAD CAPSCREW	519183
6	1	SOCKET HEAD CAPSCREW	519184
7	4	SOCKET HEAD CAPSCREW	518708
8	4	SOCKET HEAD CAPSCREW	518956
9	8	FLAT WASHER	519185
10	14	FLAT WASHER	518354
11	2	GREASE ZERK	518203

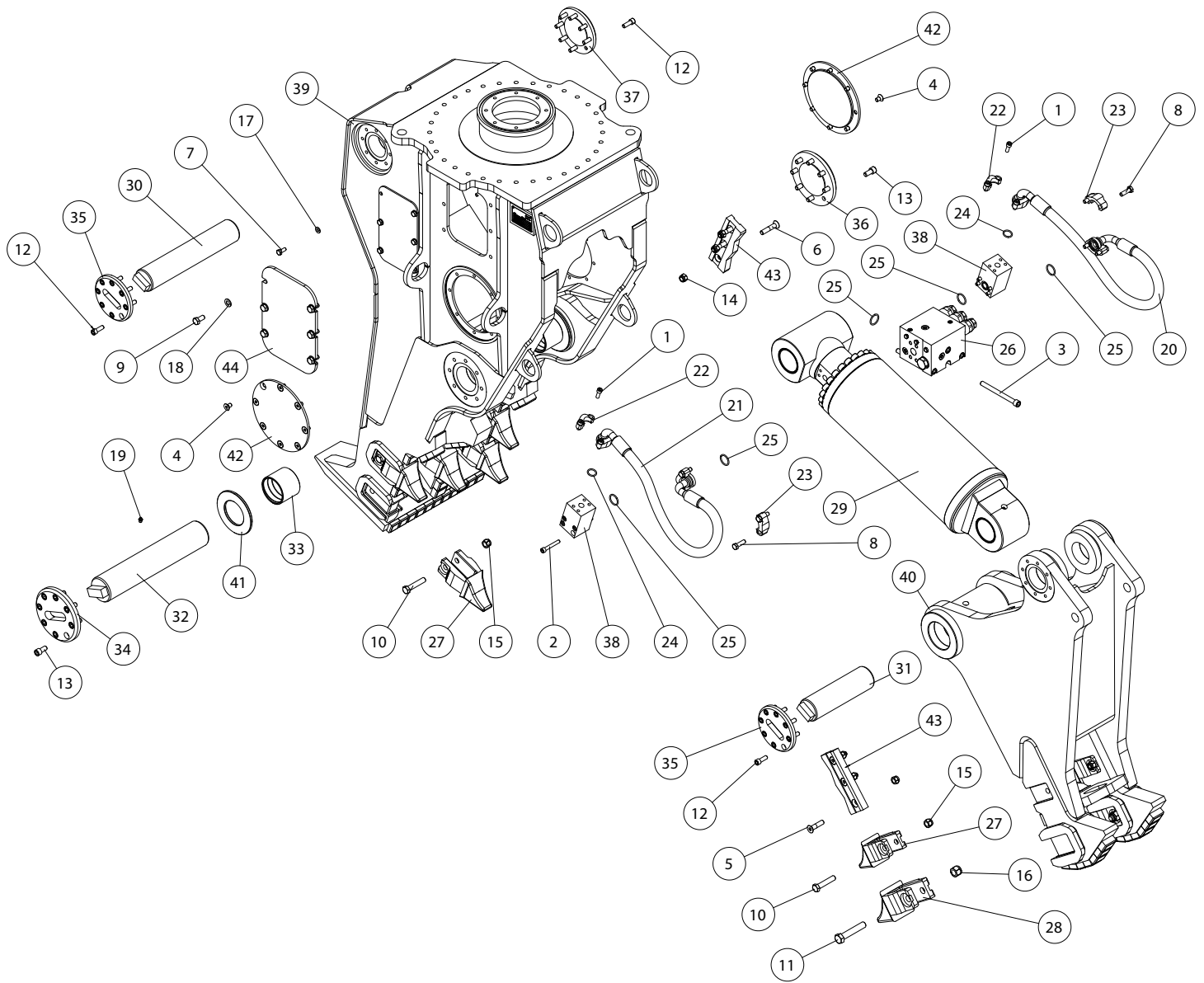
MRP130 Rotation			
Item	Qty	Description	Part Number
12	2	GREASE ZERK	519186
13	1	SNAP RING	519188
14	2	HOSE ASSEMBLY	519189
15	2	HOSE ADAPTOR	519190
16	2	HOSE ADAPTOR	518746
17	5	FLAT WASHER	518308
18	2	FLAT WASHER	519191
19	2	FLAT WASHER	518720
20	2	FLAT WASHER	518975
21	5	HYDRAULIC ADAPTOR PLUG	518310
22	2	HYDRAULIC ADAPTOR PLUG	518397
23	1	RING SEAL	519192
24	2	ORING SEAL	518906
25	1	TURNTABLE BEARING	519193
26	1	HYDRAULIC ROTATION DISTRIBUTOR	519194
27	1	HYDRAULIC MOTOR	519195
28	2	HYDRAULIC ADAPTOR	518728
29	1	RELIEF VALVE	519197
30	1	PINNION GEAR	519198
31	1	MANIFOLD MACHINING	519199
32	1	PLATE MACHINING	519200
33	2	PIN RETAINER	519201
34	2	HYDRAULIC ADAPTOR PLUG	519202
35	1	UPPERHEAD WELDMENT MACHINING	519203
36	1	COVER PLATE	519204
37	1	COVER PLATE	519206

WEAR PLATES

MRP130 Wear Plates			
Item	Qty	Description	Part Number
1	1	CHOCKY BAR WEAR KIT	519832

MRP150

BODY

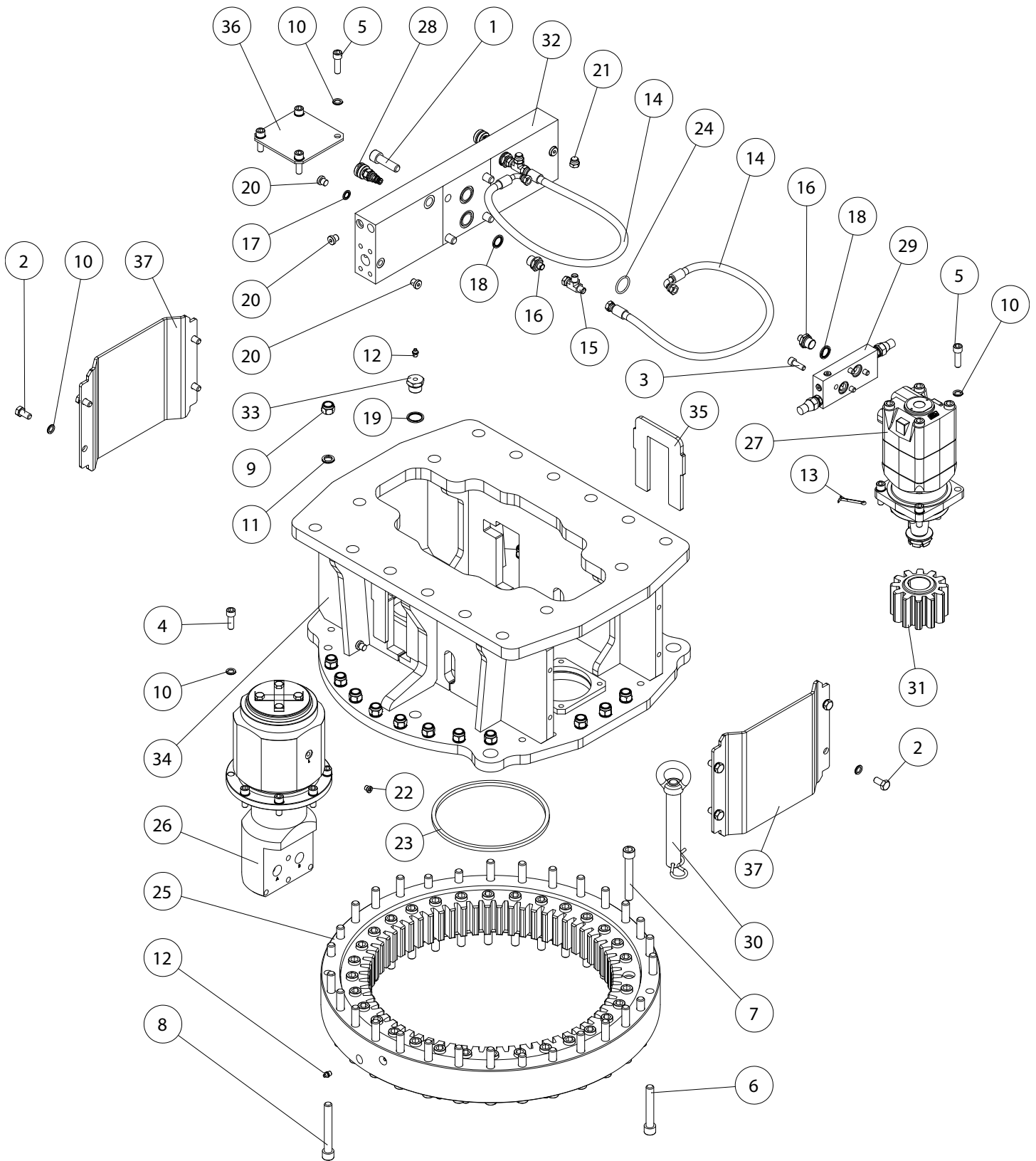


MRP150 Body			
Item	Qty	Description	Part Number
1	8	SOCKET HEAD CAPSCREW	518897
2	8	SOCKET HEAD CAPSCREW	518898
3	4	SOCKET HEAD CAPSCREW	518188
4	16	SOCKET HEAD CAPSCREW	518189
5	3	SOCKET HEAD CAPSCREW	See "MRP Blade Kits" on page 42
6	3	SOCKET HEAD CAPSCREW	See "MRP Blade Kits" on page 42
7	12	HEX HEAD CAPSCREW	518192
8	8	HEX HEAD CAPSCREW	518193

MRP150 Body

Item	Qty	Description	Part Number
9	12	HEX HEAD CAPSCREW	518195
10	7	HEX HEAD CAPSCREW	See "Wear Kits" on page 42
11	2	SOCKET HEAD CAPSCREW	See "Wear Kits" on page 42
12	32	SOCKET HEAD CAPSCREW	518708
13	16	HEX NUT W/NYLOCK	518198
14	6	HEX NUT W/NYLOCK	See "MRP Blade Kits" on page 42
15	7	HEX NUT W/NYLOCK	See "MRP Blade Kits" on page 42
16	2	HEX NUT W/NYLOCK	See "Wear Kits" on page 42
17	12	FLAT WASHER	518201
18	12	FLAT WASHER	518202
19	1	GREASE ZERK	518203
20	1	HOSE ASSEMBLY	518902
21	1	HOSE ASSEMBLY	518903
22	4	SPLIT FLANGE HALF	518905
23	4	SPLIT FLANGE HALF	518204
24	2	O-RING SEAL	518906
25	6	O RING SEAL	518205
26	1	MACHINING MANIFOLD	518208
27	7	CUTTING EDGE	See "Wear Kits" on page 42
28	2	CUTTING EDGE	See "Wear Kits" on page 42
29	1	CYLINDER ASSEMBLY	518907
30	1	MACHINED PIN	518908
31	1	MACHINED PIN	518909
32	1	MACHINED PIN	518910
33	2	BEARING MACHINING	518911
34	1	PIN RETAINER	518217
35	2	PIN RETAINER	518912
36	1	PIN RETAINER	518218
37	2	PIN RETAINER	518915
38	2	MANIFOLD MACHINING	518916
39	1	MRP 150 STICK	518917
40	1	MRP 150 UPPER	518918
41	2	SHIM SPACER	518919
42	2	MODEL PLATE	518224
43	2	CUTTING EDGE	See "MRP Blade Kits" on page 42
44	2	COVER PLATE	518226

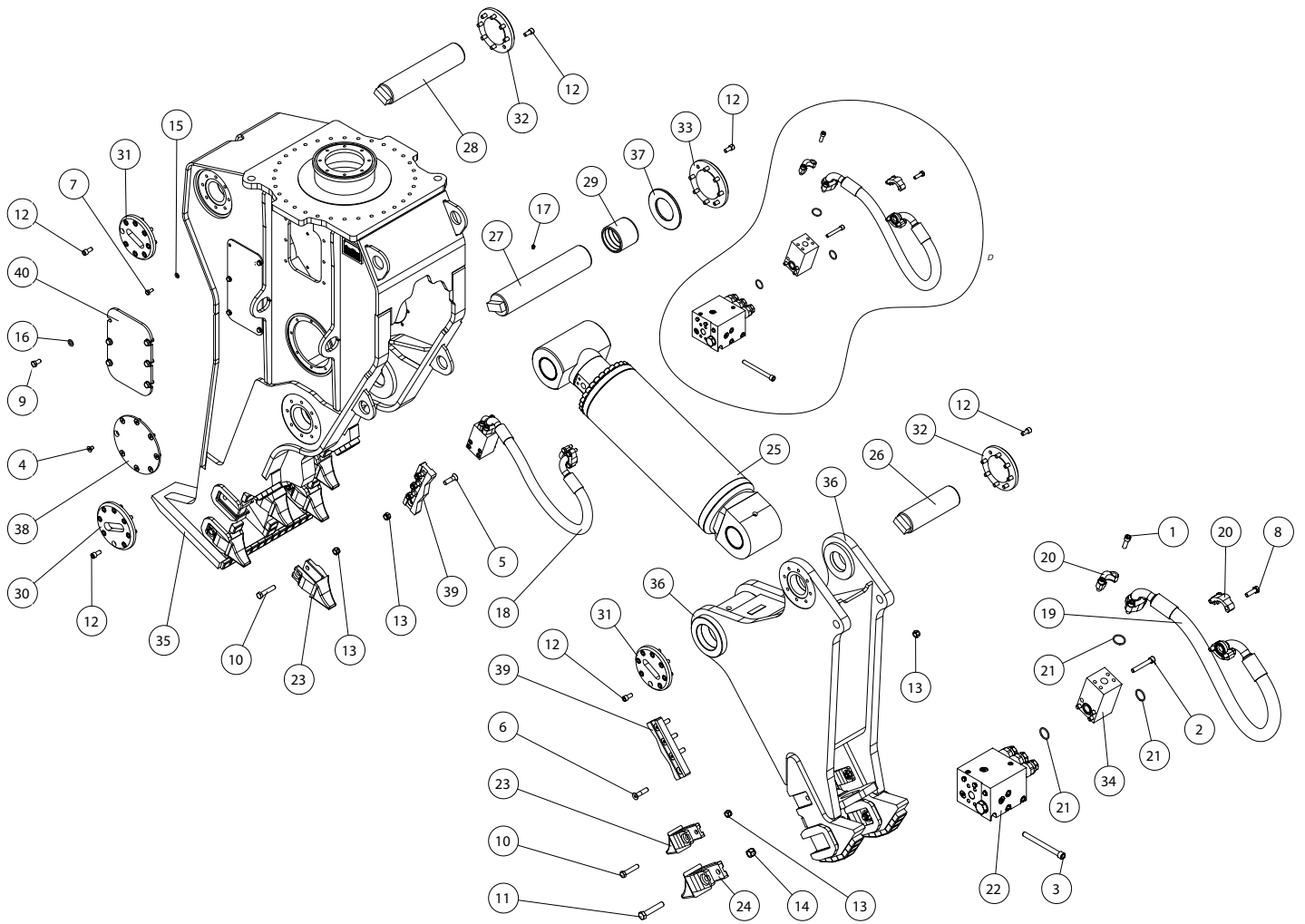
ROTATION



MRP150 Rotation			
Item	Qty	Description	Part Number
1	4	SOCKET HEAD CAPSCREW	518705
2	8	HEX HEAD CAPSCREW	518706
3	4	SOCKET HEAD CAPSCREW	518707
4	8	SOCKET HEAD CAPSCREW	518708
5	8	SOCKET HEAD CAPSCREW	518709
6	8	SOCKET HEAD CAPSCREW	518711
7	32	SOCKET HEAD CAPSCREW	518712
8	24	SOCKET HEAD CAPSCREW	518743
9	24	HEX NUT W/NYLOCK	See "MRP Blade Kits" on page 42
10	24	FLAT WASHER	518354
11	24	FLAT WASHER	518714
12	6	GREASE ZERK	518203
13	1	COTTER (SPLIT) PIN	518715
14	2	HYDRAULIC HOSE	518744
15	2	HOSE ADAPTOR	518745
16	4	HOSE ADAPTOR	518746
17	2	FLAT WASHER	518308
18	4	FLAT WASHER	518720
19	2	FLAT WASHER	518721
20	8	HYDRAULIC ADAPTOR PLUG	518397
21	2	HYDRAULIC ADAPTOR PLUG	518747
22	1	HYDRAULIC ADAPTOR PLUG	518371
23	1	8x8 mm GASKET	518724
24	2	O RING SEAL	518205
25	1	TURN TABLE BEARING	518749
26	1	HYDRAULIC DISTRIBUTOR	518726
27	1	HYDRAULIC MOTOR	518727
28	2	HYDRAULIC ADAPTOR	518728
29	1	MANIFOLD MACHINING	518730
30	1	HITCH PIN	518731
31	1	PINION GEAR	518732
32	1	MANIFOLD MACHINING	518733
33	2	HYDRAULIC ADAPTOR PLUG	518734
34	1	UPPERHEAD WELDMENT MACHINING	518750
35	2	SIDE PLATE	518737
36	1	COVER PLATE	518738
37	2	FORMED COVER PLATE	518751

MRP200

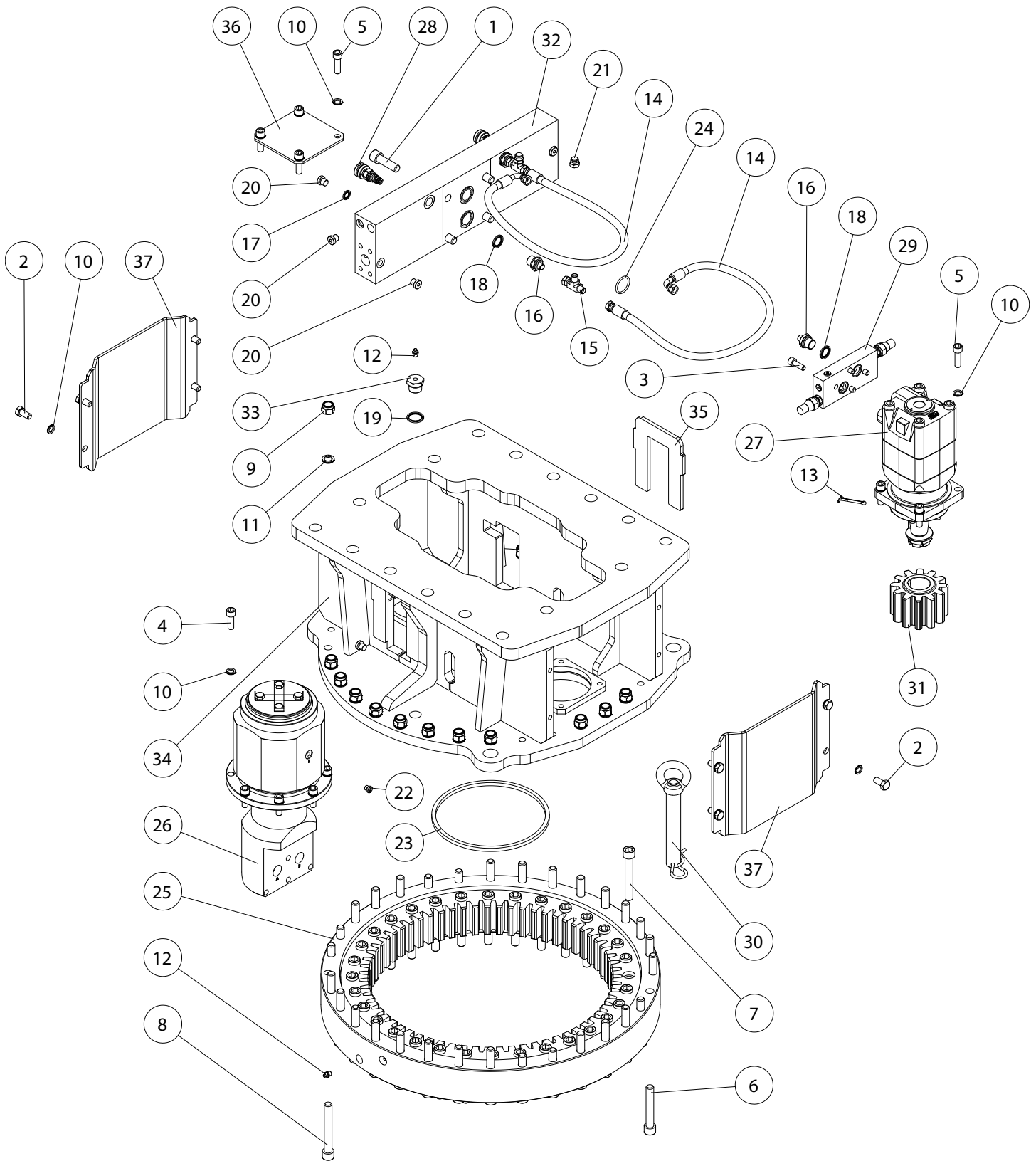
BODY



MRP200 Body			
Item	Qty	Description	Part Number
1	8	SOCKET HEAD CAPSCREW	518186
2	8	SOCKET HEAD CAPSCREW	518187
3	4	SOCKET HEAD CAPSCREW	518188
4	16	SOCKET HEAD CAPSCREW	518189
5	4	SOCKET HEAD CAPSCREW	See "MRP Blade Kits" on page 42
6	4	HEX HEAD CAPSCREW	See "MRP Blade Kits" on page 42
7	12	HEX HEAD CAPSCREW	518192
8	8	HEX HEAD CAPSCREW	518193
9	12	HEX HEAD CAPSCREW	518195
10	7	HEX HEAD CAPSCREW	See "Wear Kits" on page 42

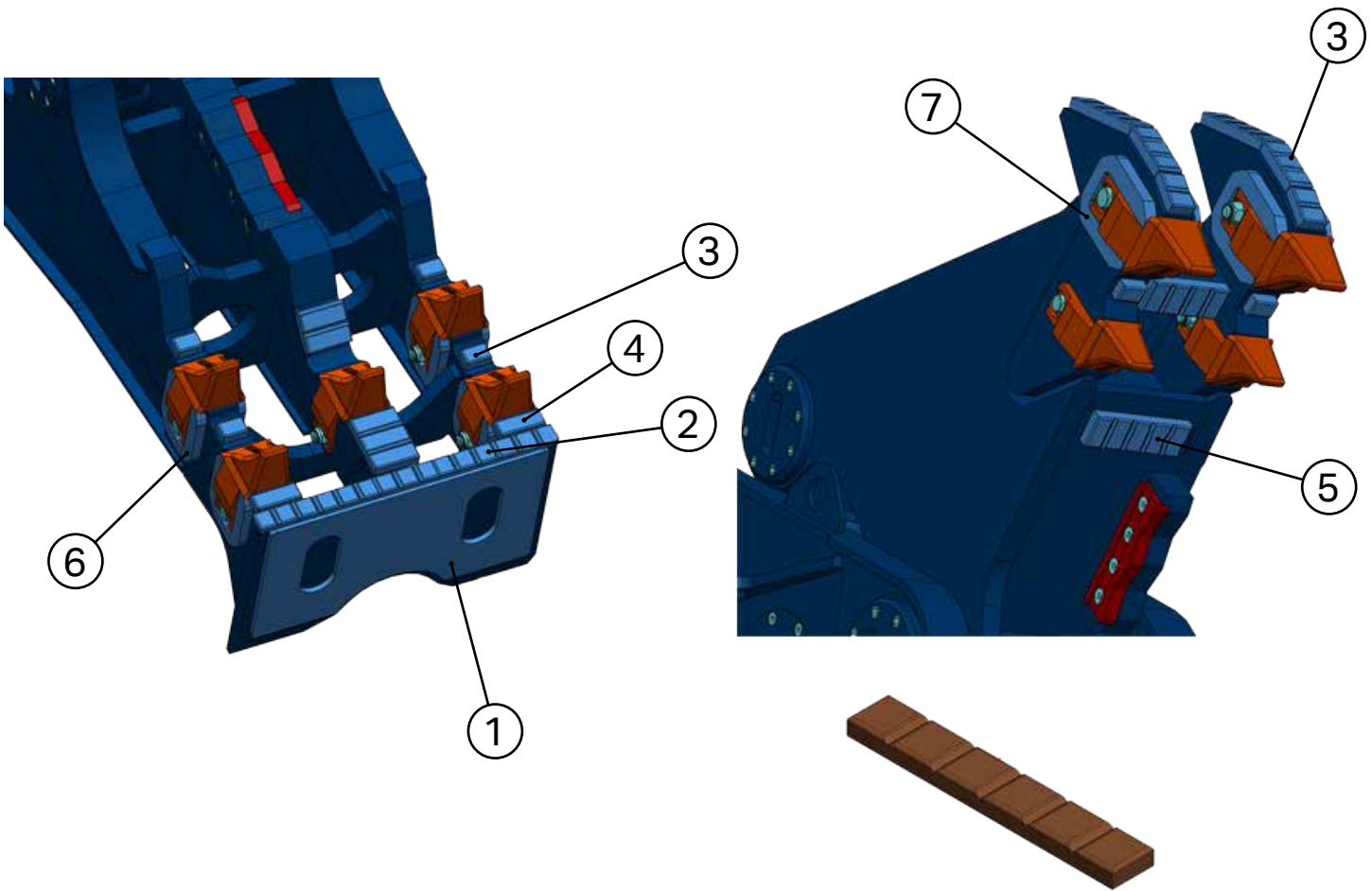
MRP200 Body			
Item	Qty	Description	Part Number
11	2	SOCKET HEAD CAPSCREW	See "Wear Kits" on page 42
12	48	HEX NUT W/NYLOCK	518198
13	15	HEX NUT W/NYLOCK	See "MRP Blade Kits" on page 42
14	2	HEX NUT W/NYLOCK	See "Wear Kits" on page 42
15	12	FLAT WASHER	518201
16	12	FLAT WASHER	518202
17	1	GREASE ZERK	518203
18	1	HOSE ASSEMBLY	518245
19	1	HOSE ASSEMBLY	518246
20	8	SPLIT FLANGE HALF	518204
21	8	O RING SEAL	518205
22	1	MACHINING MANIFOLD	518208
23	7	CUTTING EDGE	See "Wear Kits" on page 42
24	2	CUTTING EDGE	See "Wear Kits" on page 42
25	1	MACHINING PIN	518211
26	1	MACHINING PIN	518212
27	1	MACHINING PIN	518213
28	1	PIN MACHINING	518214
29	2	BEARING MACHINING	518215
30	1	PIN RETAINER	518216
31	2	PIN RETAINER	518217
32	2	PIN RETAINER	518218
33	1	PIN RETAINER	518219
34	2	MANIFOLD MACHINING	518220
35	1	END CAP MACHINING	518221
36	1	JAW UNKNOWN	518222
37	2	SPACER SHIM	518223
38	2	MODEL PLATE	518224
39	2	PIN RETAINER	See "MRP Blade Kits" on page 42
40	2	COVER PLATE	518226

ROTATION



MRP200 Rotation			
Item	Qty	Description	Part Number
1	4	SOCKET HEAD CAPSCREW	518705
2	8	HEX HEAD CAPSCREW	518706
3	4	SOCKET HEAD CAPSCREW	518707
4	8	SOCKET HEAD CAPSCREW	518708
5	8	SOCKET HEAD CAPSCREW	518709
6	8	SOCKET HEAD CAPSCREW	518711
7	32	SOCKET HEAD CAPSCREW	518712
8	24	SOCKET HEAD CAPSCREW	518743
9	24	HEX NUT W/NYLOCK	See "MRP Blade Kits" on page 42
10	24	FLAT WASHER	518354
11	24	FLAT WASHER	518714
12	6	GREASE ZERK	518203
13	1	COTTER (SPLIT) PIN	518715
14	2	HYDRAULIC HOSE	518744
15	2	HOSE ADAPTOR	518745
16	4	HOSE ADAPTOR	518746
17	2	FLAT WASHER	518308
18	4	FLAT WASHER	518720
19	2	FLAT WASHER	518721
20	8	HYDRAULIC ADAPTOR PLUG	518397
21	2	HYDRAULIC ADAPTOR PLUG	518747
22	1	HYDRAULIC ADAPTOR PLUG	518371
23	1	8x8 mm GASKET	518724
24	2	O RING SEAL	518205
25	1	TURN TABLE BEARING	518749
26	1	HYDRAULIC DISTRIBUTOR	518726
27	1	HYDRAULIC MOTOR	518727
28	2	HYDRAULIC ADAPTOR	518728
29	1	MANIFOLD MACHINING	518730
30	1	HITCH PIN	518731
31	1	PINION GEAR	518732
32	1	MANIFOLD MACHINING	518733
33	2	HYDRAULIC ADAPTOR PLUG	518734
34	1	UPPERHEAD WELDMENT MACHINING	518750
35	2	SIDE PLATE	518737
36	1	COVER PLATE	518738
37	2	FORMED COVER PLATE	518751

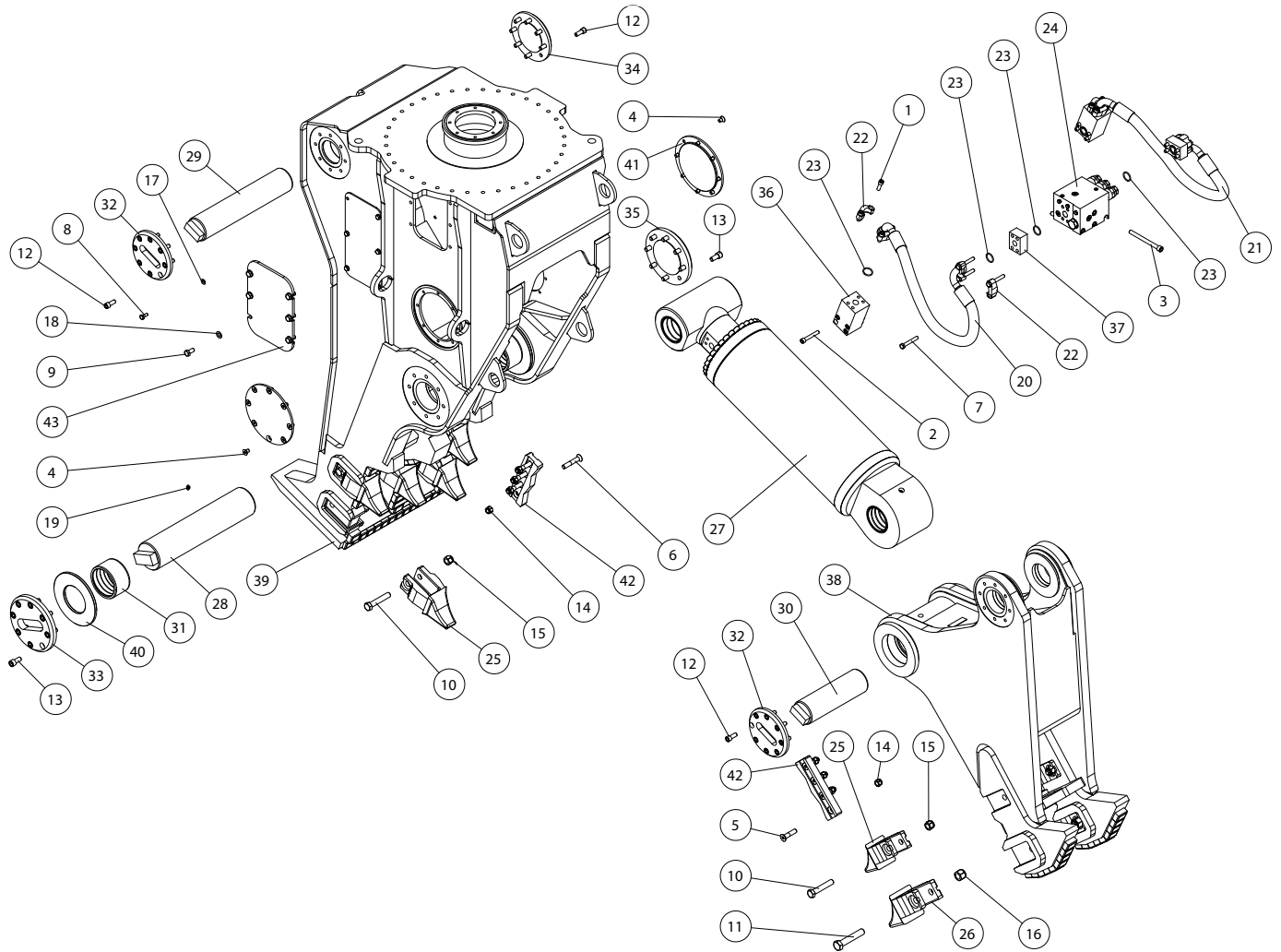
WEAR PLATES



MRP200 Wear Plates			
Item	Qty	Description	Part Number
1	1	WEAR PLATE	518864
2	3	CHOCKY BAR	518865
3	12	CHOCKY BAR	518866
4	4	CHOCKY BAR	518869
5	2	CHOCKY BAR	518868
6	8	WEAR PLATE	518870
7	4	WEAR PLATE	518871

MRP250

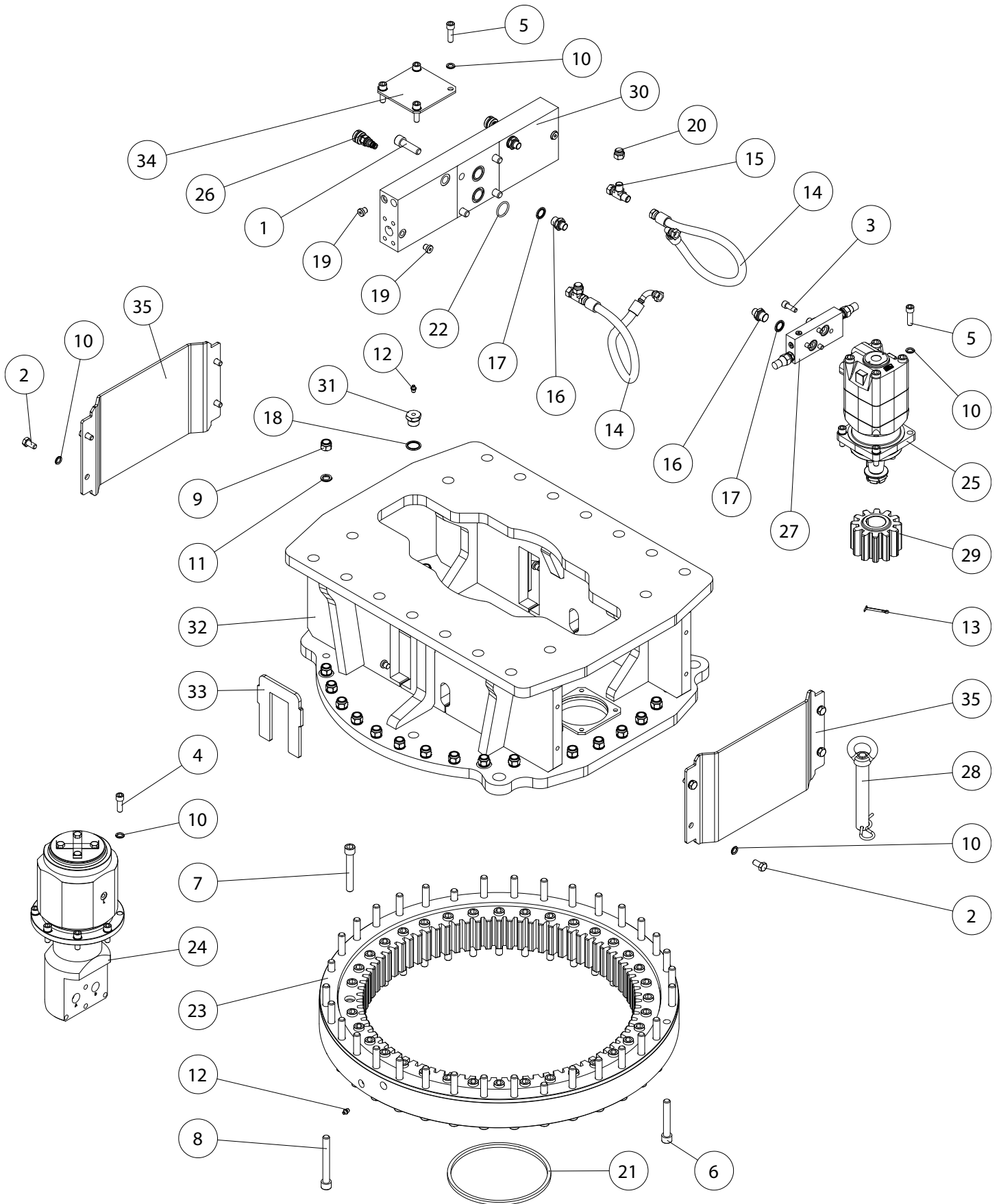
BODY



MRP250 Body			
Item	Qty	Description	Part Number
1	8	SOCKET HEAD CAPSCREW	518186
2	8	SOCKET HEAD CAPSCREW	518187
3	4	SOCKET HEAD CAPSCREW	518188
4	16	SOCKET HEAD CAPSCREW	518189
5	4	HEX HEAD CAPSCREW	See "MRP Blade Kits" on page 42
6	4	SOCKET HEAD CAPSCREW	See "MRP Blade Kits" on page 42
7	8	HEX HEAD CAPSCREW	518239
8	12	HEX HEAD CAPSCREW	518192
9	12	HEX HEAD CAPSCREW	518195
10	7	SOCKET HEAD CAPSCREW	See "Wear Kits" on page 42

MRP250 Body			
Item	Qty	Description	Part Number
11	2	HEX HEAD CAPSCREW	See "Wear Kits" on page 42
12	32	SOCKET HEAD CAPSCREW	518241
13	16	SOCKET HEAD CAPSCREW	518242
14	8	HEX NUT W/NYLOCK	See "MRP Blade Kits" on page 42
15	7	HEX NUT W/NYLOCK	See "Wear Kits" on page 42
16	2	HEX NUT W/NYLOCK	See "Wear Kits" on page 42
17	12	FLAT WASHER	518201
18	12	FLAT WASHER	518202
19	1	GREASE ZERK	518203
20	1	HOSE ASSEMBLY	518245
21	1	HOSE ASSEMBLY	518246
22	8	SPLIT FLANGE HALF	518204
23	10	O RING SEAL	518205
24	1	MACHINING MANIFOLD	518208
25	7	CUTTING EDGE	See "Wear Kits" on page 42
26	2	CUTTING EDGE	See "Wear Kits" on page 42
27	1	CYLINDER ASSEMBLY	518248
28	1	PIN MACHINING	518249
29	1	MACHINING PIN	518213
30	1	PIN MACHINING	518250
31	2	BEARING MACHINING	518251
32	2	PIN RETAINER	518216
33	1	PIN RETAINER	518252
34	2	PIN RETAINER	518219
35	1	PIN RETAINER	518253
36	2	MANIFOLD MACHINING	518254
37	2	MANIFOLD MACHINING	518256
38	1	MRP 250 UPPER	518257
39	1	MRP 250 STICK	518258
40	2	SPACER SHIM	518259
41	2	MODEL PLATE	518260
42	2	BLADE MACHINING	See "MRP Blade Kits" on page 42
43	2	COVER PLATE	518262

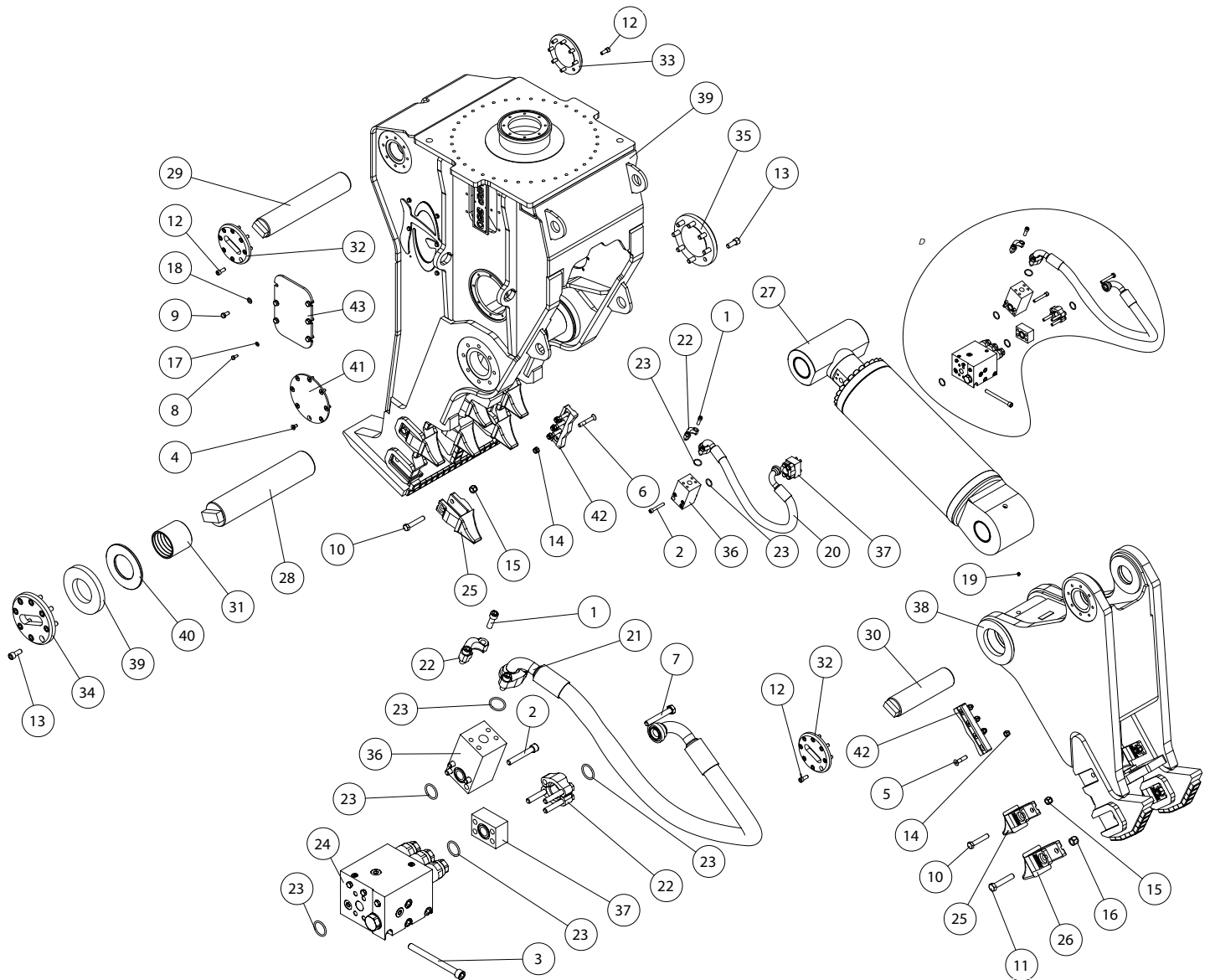
ROTATION



MRP250 Rotation			
Item	Qty	Description	Part Number
1	4	SOCKET HEAD CAPSCREW	518705
2	8	HEX HEAD CAPSCREW	518706
3	4	SOCKET HEAD CAPSCREW	518707
4	8	SOCKET HEAD CAPSCREW	518708
5	8	SOCKET HEAD CAPSCREW	518709
6	4	SOCKET HEAD CAPSCREW	518711
7	36	SOCKET HEAD CAPSCREW	518712
8	32	SOCKET HEAD CAPSCREW	518713
9	32	HEX NUT W/NYLOCK	See "MRP Blade Kits" on page 42
10	24	FLAT WASHER	518354
11	32	FLAT WASHER	518714
12	6	GREASE ZERK	518203
13	1	COTTER (SPLIT) PIN	518715
14	2	HOSE ASSEMBLY	518716
15	2	HOSE ADAPTOR	518717
16	4	HOSE ADAPTOR	518718
17	4	FLAT WASHER	518720
18	2	FLAT WASHER	518721
19	7	HYDRAULIC ADAPTOR PLUG	518397
20	2	HYDRAULIC ADAPTOR PLUG	518722
21	1	8x8 mm GASKET	518724
22	2	O RING SEAL	518205
23	1	TURN TABLE BEARING	518725
24	1	HYDRAULIC DISTRIBUTOR	518726
25	1	HYDRAULIC MOTOR	518727
26	2	HYDRAULIC ADAPTOR	518728
27	1	MANIFOLD MACHINING	518730
28	1	HITCH PIN	518731
29	1	PINION GEAR	518732
30	1	MANIFOLD MACHINING	518733
31	2	HYDRAULIC ADAPTOR PLUG	518734
32	1	UPPERHEAD WELDMENT MACHINING	518736
33	2	SIDE PLATE	518737
34	1	COVER PLATE	518738
35	2	FORMED COVER PLATE	518740

MRP350

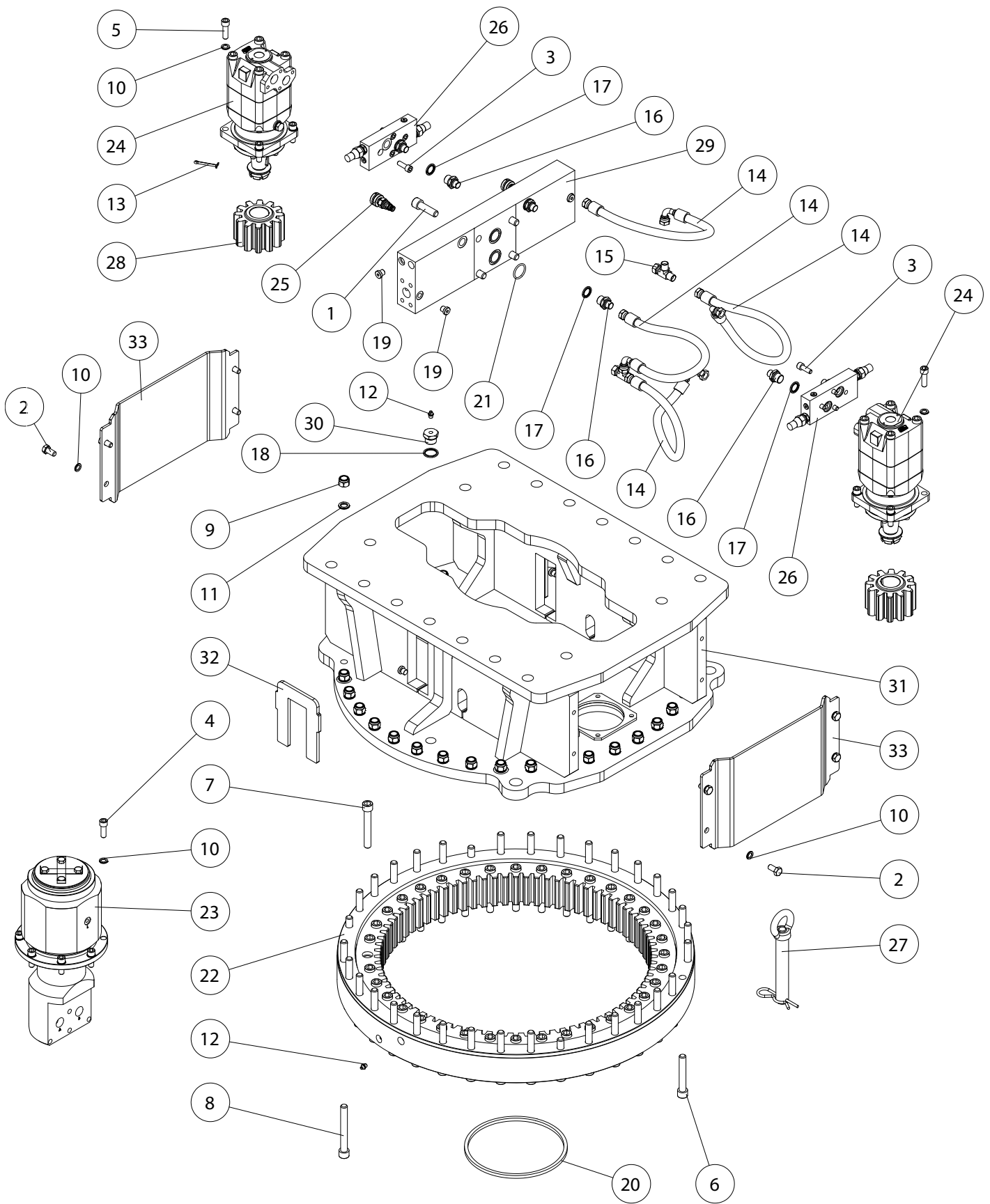
BODY



MRP350 Body			
Item	Qty	Description	Part Number
1	8	SOCKET HEAD CAPSCREW	518186
2	8	SOCKET HEAD CAPSCREW	518187
3	4	SOCKET HEAD CAPSCREW	518188
4	16	SOCKET HEAD CAPSCREW	518263
5	4	HEX HEAD CAPSCREW	See "MRP Blade Kits" on page 42
6	4	SOCKET HEAD CAPSCREW	See "MRP Blade Kits" on page 42
7	8	HEX HEAD CAPSCREW	518239
8	12	HEX HEAD CAPSCREW	518192

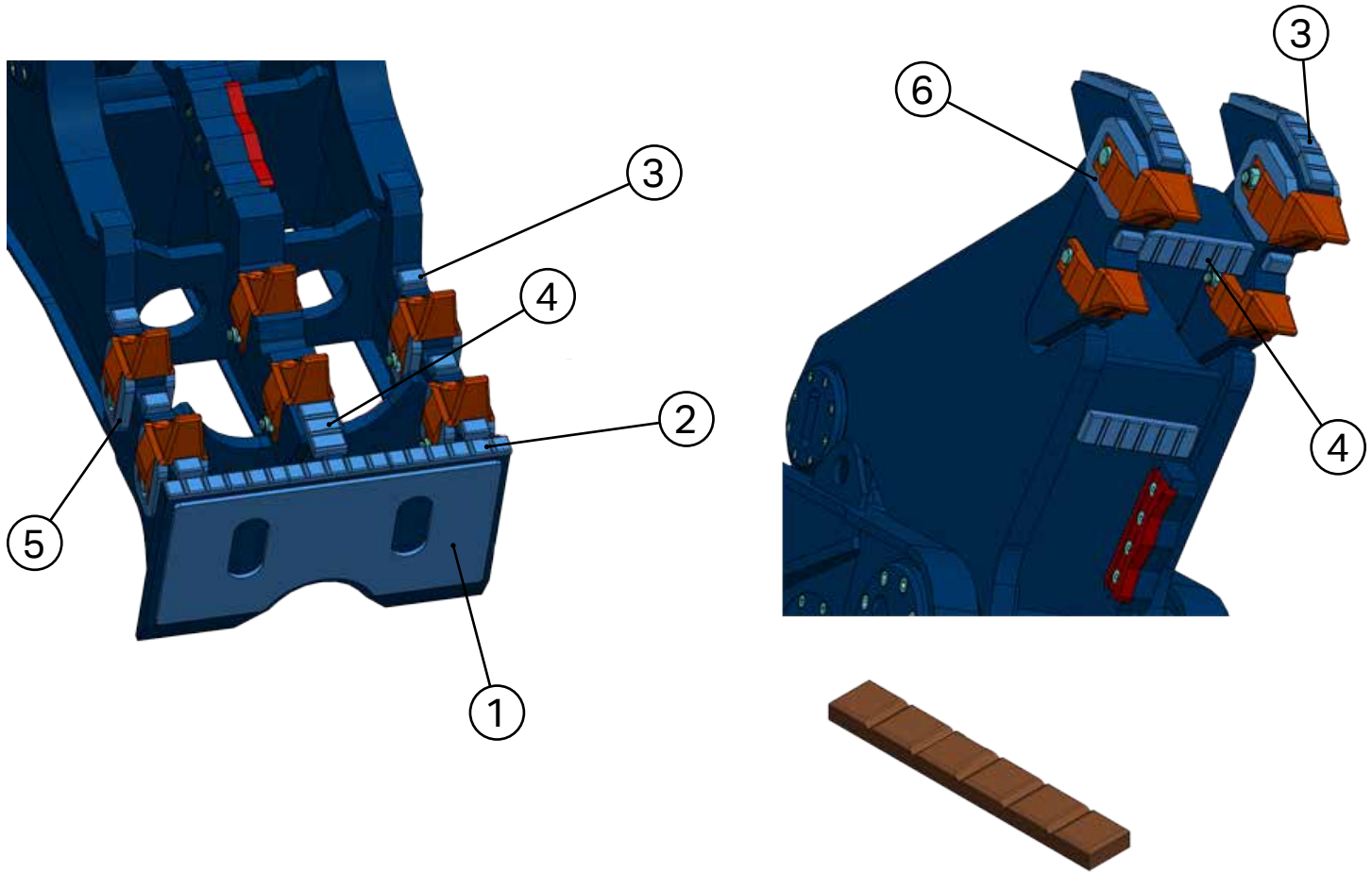
MRP350 Body			
Item	Qty	Description	Part Number
9	12	HEX HEAD CAPSCREW	518195
10	8	SOCKET HEAD CAPSCREW	See "Wear Kits" on page 42
11	2	HEX HEAD CAPSCREW	See "Wear Kits" on page 42
12	32	SOCKET HEAD CAPSCREW	518241
13	16	SOCKET HEAD CAPSCREW	518266
14	8	HEX NUT W/NYLOCK	See "MRP Blade Kits" on page 42
15	8	HEX NUT W/NYLOCK	See "Wear Kits" on page 42
16	2	HEX NUT W/NYLOCK	See "Wear Kits" on page 42
17	12	FLAT WASHER	518201
18	12	FLAT WASHER	518202
19	1	GREASE ZERK	518203
20	1	HOSE ASSEMBLY	518245
21	1	HOSE ASSEMBLY	518246
22	8	SPLIT FLANGE HALF	518204
23	10	O RING SEAL	518205
24	1	MACHINING MANIFOLD	518208
25	8	CUTTING EDGE	See "Wear Kits" on page 42
26	2	CUTTING EDGE	See "Wear Kits" on page 42
27	1	CYLINDER ASSEMBLY	518267
28	1	PIN MACHINING	518268
29	1	PIN MACHINING	518269
30	1	PIN MACHINING	518270
31	2	BEARING MACHINING	518271
32	2	PIN RETAINER	518216
33	2	PIN RETAINER	518219
34	1	PIN RETAINER	518272
35	1	PIN RETAINER	518273
36	2	MANIFOLD MACHINING	518254
37	2	MANIFOLD MACHINING	518256
38	1	MRP 250 UPPER	518274
39	1	MRP 350 STICK	518275
40	2	SPACER SHIM	518276
41	2	MODEL PLATE	518260
42	2	BLADE MACHINING	See "MRP Blade Kits" on page 42
43	2	COVER PLATE	518262

ROTATION



MRP350 Rotation			
Item	Qty	Description	Part Number
1	4	SOCKET HEAD CAPSCREW	518705
2	8	HEX HEAD CAPSCREW	518706
3	8	SOCKET HEAD CAPSCREW	518707
4	8	SOCKET HEAD CAPSCREW	518708
5	8	SOCKET HEAD CAPSCREW	518709
6	4	SOCKET HEAD CAPSCREW	518711
7	36	SOCKET HEAD CAPSCREW	518712
8	32	SOCKET HEAD CAPSCREW	518713
9	32	HEX NUT W/NYLOCK	See "MRP Blade Kits" on page 42
10	24	FLAT WASHER	518354
11	32	FLAT WASHER	518714
12	6	GREASE ZERK	518203
13	2	COTTER (SPLIT) PIN	518715
14	4	HOSE ASSEMBLY	518716
15	2	HOSE ADAPTOR	518717
16	6	HOSE ADAPTOR	518718
17	6	FLAT WASHER	518720
18	2	FLAT WASHER	518721
19	7	HYDRAULIC ADAPTOR PLUG	518397
20	1	8x8 mm GASKET	518724
21	2	O RING SEAL	518205
22	1	TURN TABLE BEARING	518725
23	1	HYDRAULIC DISTRIBUTOR	518726
24	2	HYDRAULIC MOTOR	518727
25	2	HYDRAULIC ADAPTOR	518728
26	2	MANIFOLD MACHINING	518730
27	1	HITCH PIN	518731
28	2	PINION GEAR	518732
29	1	MANIFOLD MACHINING	518733
30	2	HYDRAULIC ADAPTOR PLUG	518734
31	1	UPPERHEAD WELDMENT MACHINING	518736
32	2	SIDE PLATE	518737
33	2	FORMED COVER PLATE	518740

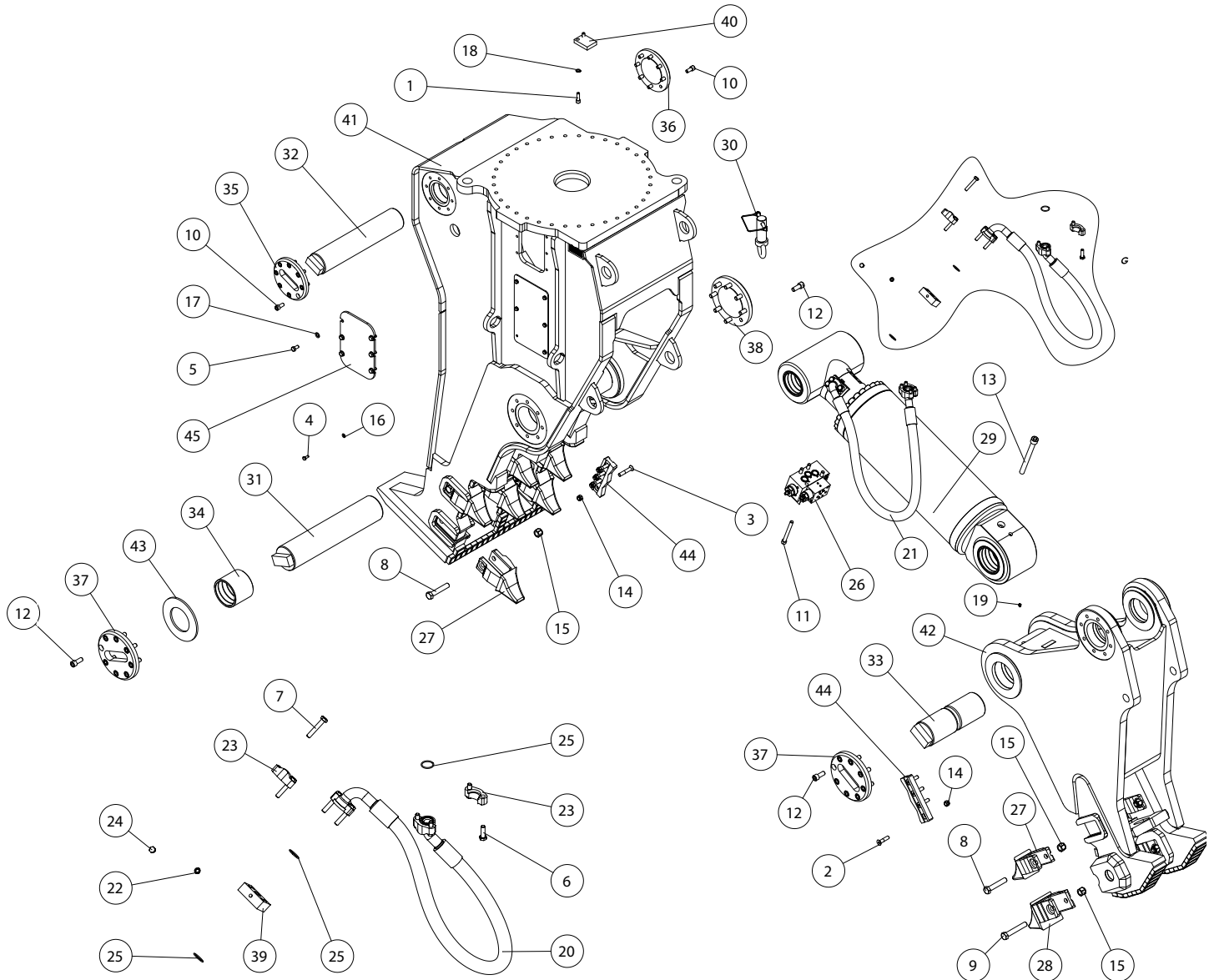
WEAR PLATES



MRP350 Wear Plates			
Item	Qty	Description	Part Number
1	1	WEAR PLATE	518872
2	3	CHOCKY BAR	518865
3	14	CHOCKY BAR	518866
4	3	CHOCKY BAR	518868
5	8	WEAR PLATE	518870
6	4	WEAR PLATE	518871

MRP500

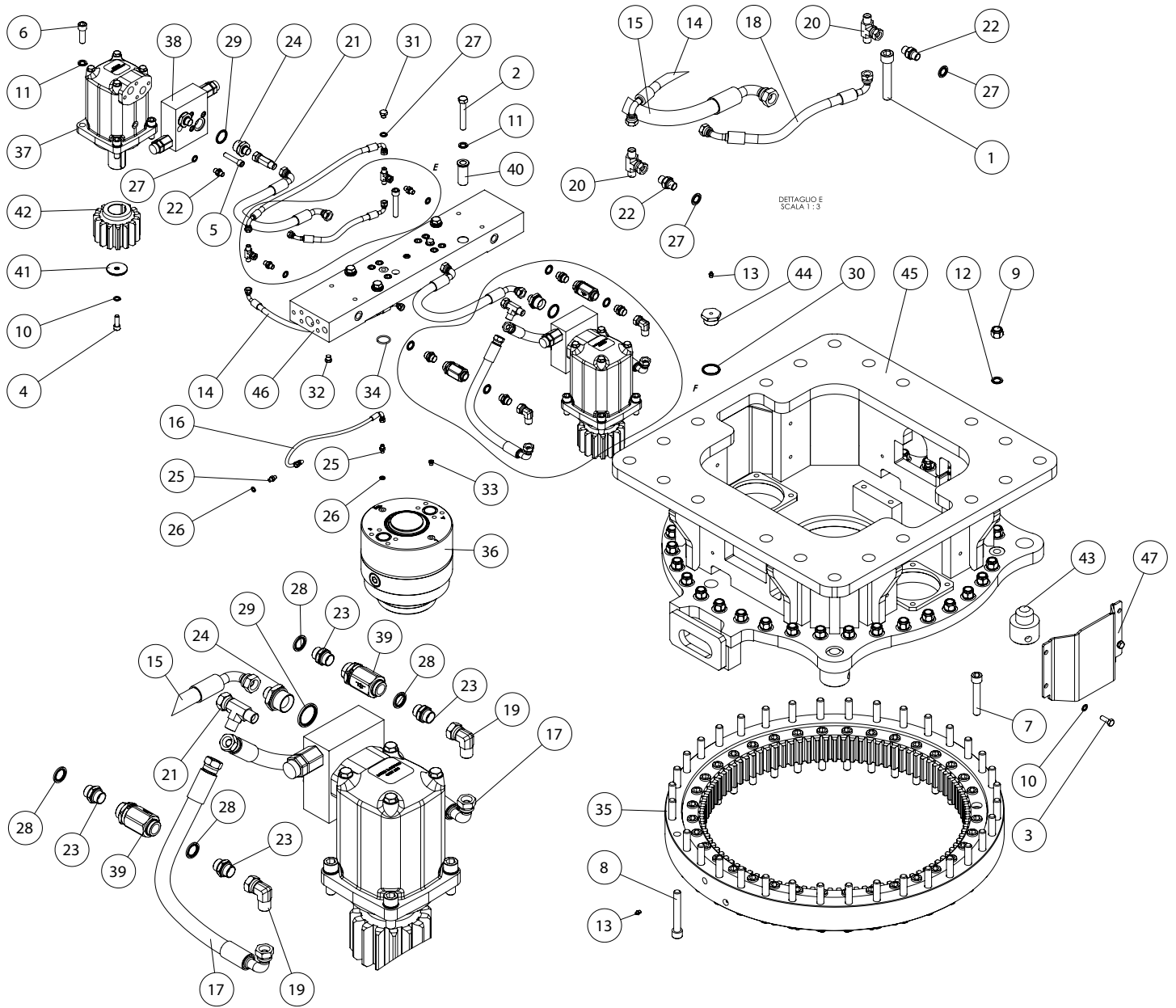
BODY



MRP500 Body			
Item	Qty	Description	Part Number
1	2	SOCKET HEAD CAPSCREW	518278
2	4	HEX HEAD CAPSCREW	See "MRP Blade Kits" on page 42
3	4	SOCKET HEAD CAPSCREW	See "MRP Blade Kits" on page 42
4	12	HEX HEAD CAPSCREW	518192
5	12	HEX HEAD CAPSCREW	518195
6	8	HEX HEAD CAPSCREW	519712
7	8	HEX HEAD CAPSCREW	519713

MRP500 Body			
Item	Qty	Description	Part Number
8	8	HEX HEAD CAPSCREW	See "Wear Kits" on page 42
9	2	HEX HEAD CAPSCREW	See "Wear Kits" on page 42
10	16	SOCKET HEAD CAPSCREW	518242
11	4	SOCKET HEAD CAPSCREW	519715
12	32	SOCKET HEAD CAPSCREW	518266
13	1	SOCKET HEAD CAPSCREW	519716
14	8	HEX NUT W/NYLOCK	See "MRP Blade Kits" on page 42
15	10	HEX NUT W/NYLOCK	See "Wear Kits" on page 42
16	12	FLAT WASHER	518201
17	12	FLAT WASHER	518202
18	2	FLAT WASHER	518355
19	1	GREASE ZERK	518
20	1	HOSE ASSEMBLY	519717
21	1	HOSE ASSEMBLY	519718
22	2	FLAT WASHER	518308
23	8	SPLIT FLANGE HALF	518309
24	2	HYDRAULIC ADAPTOR PLUG	518310
25	6	O RING SEAL	518311
26	1	REGEN VALVE	519559
27	8	CUTTING EDGE	See "Wear Kits" on page 42
28	2	ATLAS CUTTING EDGE 020	See "Wear Kits" on page 42
29	1	CYLINDER ASSEMBLY	519431
30	1	HITCH PIN	518316
31	1	PIN MACHINING	519402
32	1	PIN MACHINING	519404
33	1	PIN MACHINING	519405
34	2	BEARING MACHINING	519406
35	1	PIN RETAINER	518252
36	1	PIN RETAINER	518253
37	2	PIN RETAINER	519720
38	2	PIN RETAINER	519721
39	2	MANIFOLD MACHINING	519722
40	1	PLATE MACHINING	519724
41	1	STICK WELDMENT MACHINIING	519725
42	1	UPPER WELDMENT MACHINING	519726
43	2	SPACER SHIM	519407
44	2	PIN RETAINER	See "MRP Blade Kits" on page 42
45	2	COVER PLATE	518226

ROTATION



MRP500 Rotation			
Item	Qty	Description	Part Number
1	8	SOCKET HEAD CAPSCREW	519727
2	4	HEX HEAD CAPSCREW	519728
3	8	HEX HEAD CAPSCREW	519729
4	2	SOCKET HEAD CAPSCREW	518708
5	4	SOCKET HEAD CAPSCREW	518956
6	8	SOCKET HEAD CAPSCREW	518957
7	36	SOCKET HEAD CAPSCREW	518959

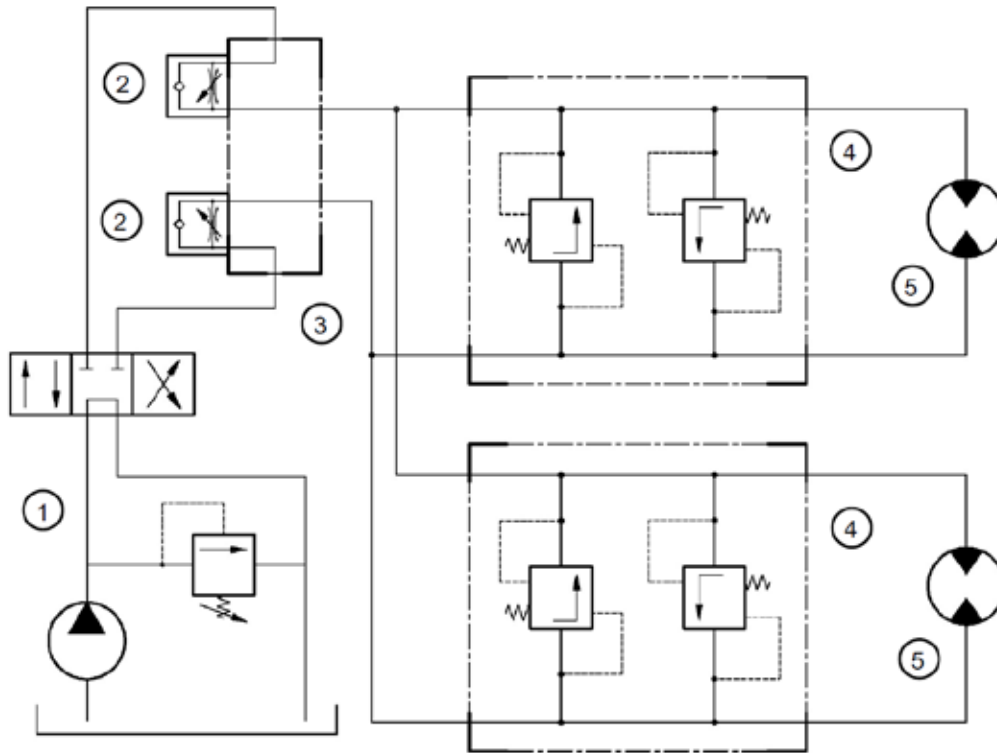
MRP500 Rotation			
Item	Qty	Description	Part Number
8	36	SOCKET HEAD CAPSCREW	519558
9	36	HEX NUT W/NYLOCK	See "Wear Kits" on page 42
10	10	FLAT WASHER	518354
11	12	FLAT WASHER	518714
12	36	FLAT WASHER	518961
13	6	GREASE ZERK	518203
14	2	HYDRAULIC HOSE	519730
15	2	HYDRAULIC HOSE	519731
16	1	HYDRAULIC HOSE	519733
17	2	HYDRAULIC HOSE	519734
18	1	HYDRAULIC HOSE	519735
19	2	HYDRAULIC ADAPTOR	519736
20	2	HYDRAULIC ADAPTOR	519737
21	2	HYDRAULIC ADAPTOR	519738
22	4	HOSE ADAPTOR	518368
23	4	HYDRAULIC ADAPTOR	518973
24	4	HOSE ADAPTOR	518974
25	2	HYDRAULIC ADAPTOR	519739
26	2	FLAT WASHER	519740
27	6	FLAT WASHER	518308
28	4	FLAT WASHER	518720
29	4	FLAT WASHER	518975
30	2	FLAT WASHER	518976
31	2	HYDRAULIC ADAPTOR PLUG	518310
32	4	HYDRAULIC ADAPTOR PLUG	518397
33	2	HYDRAULIC ADAPTOR PLUG	518371
34	2	O RING SEAL	518205
35	1	TURNTABLE BEARING	519557
36	1	SWIVEL JOINT	519560
37	2	HYDRAULIC MOTOR	519553
38	2	DAMPENER	518989
39	2	RELIEF VALVE	518980
40	4	BEARING MACHINING	519742
41	2	FLAT WASHER	519743
42	2	PINNION GEAR	519555
43	2	ROTATION PIN RETAINER	518984
44	2	HYDRAULIC ADAPTOR PLUG	518985
45	1	UPPERHEAD WELDMENT MACHINING	519744
46	1	MANIFOLD MACHINING	519745
47	2	FORMED COVER PLATE	519746

WEAR PLATES

MRP500 Wear Plates			
Item	Qty	Description	Part Number
1	5	CHOCKY BAR WEAR KIT	519828

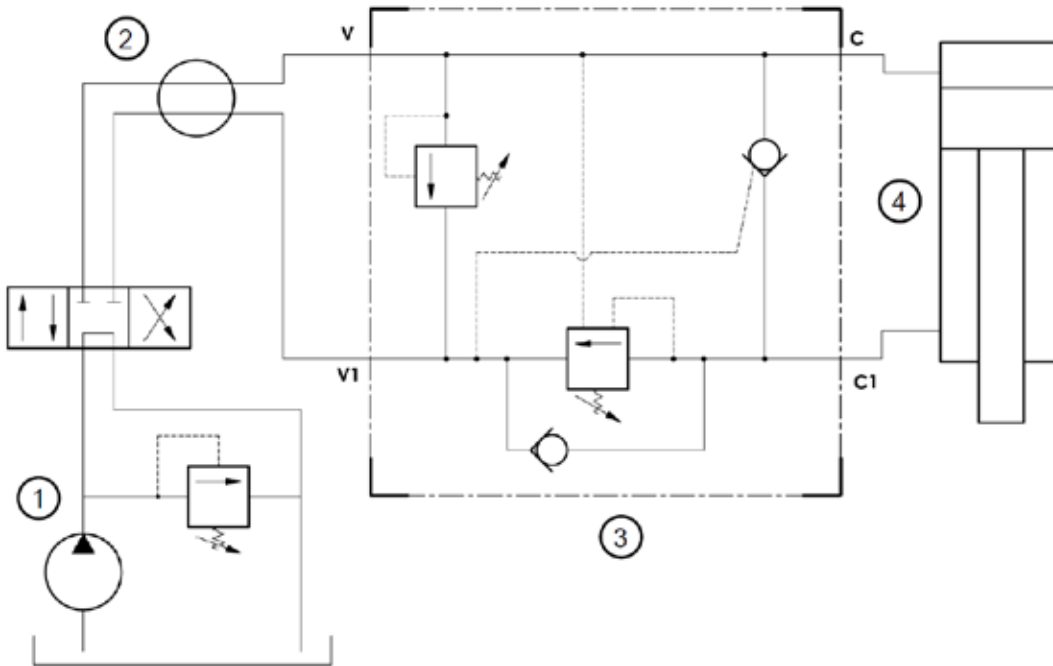
HYDRAULIC SCHEMATIC

ROTATION HYDRAULIC DIAGRAM



- 1 Machine system
- 2 Flow regulator
- 3 Collector
- 4 Antishock valve
- 5 Hydraulic orbital motor

HYDRAULIC POWER DIAGRAM



- 1 - Machine system
- 2 - Rotating joint
- 3 - Speed multiplier valve
- 4 - Hydraulic actuator

WEAR PART KITS

BLADE KITS

MRP Blade Kits		
Model	Description	Part Number
MRP 90	Full blade kit includes all blades, bolts and shims needed for a blade change.	519225
MRP 130		519319
MRP 150		518155
MRP 200		518157
MRP 250		518780
MRP 350		518781
MRP 500		519354

WEAR KITS

MRP Wear Kits		
Model	Description	Part Number
MRP 90	Full wear kit includes all teeth, bolts and nuts needed to replace the wear items.	519224
MRP 130		519829
MRP 150		518161
MRP 200		518162
MRP 250		518163
MRP 350		518164
MRP 500		519826



LABOUNTY®

Additional copies of this manual are available by contacting your dealer or the LaBounty parts department, and requesting a CE Operation & Maintenance manual. You must include the attachment model number and serial number.