

**LABOUNTY**



**MRX**

**MULTI-JAW DEMOLITION TOOL**

**MRX70, MRX100, MRX130, MRX180, MRX220, MRX260, MRX360,  
MRX500, & MRX750**

**PARTS MANUAL**

520707 Parts Manual 4/2024 Ver. 16

# PREFACE

This manual contains information for the safe operation and maintenance of the LaBounty MRX Processor. Read the entire manual before the initial start-up of the attachment. It is important to know the correct operating procedures of the attachment and all safety precautions to prevent the possibility of property damage and personal injury.

The LaBounty attachment has been designed and manufactured with high quality materials and care in workmanship. The instructions in this manual have been prepared to ensure that, when followed properly, the attachment will provide efficient and reliable service. Continuing product development and improvement may have caused changes in the attachment that are not reflected in this manual. If a question arises regarding the operation or maintenance of the attachment, contact a LaBounty dealer for the most current information available.

## IMPORTANT

This operator's manual must accompany the attachment at all times and be readily available to the operator.

## MANUAL REPLACEMENT

Should this manual become damaged, lost or additional copies are required, immediately contact any authorized LaBounty dealer. You may also download a PDF copy at the LaBounty website.

## REGISTRATION FORM

The Warranty Registration Form must be filled out by the dealer or customer and returned to LaBounty indicating the date the machine went into service.

## POSSIBLE VARIATIONS

LaBounty cannot anticipate every possible circumstance that might involve a potential hazard, as the owner's requirements and equipment may vary. Therefore, the warnings in this publication and on the product may not be all-inclusive and you must ensure that the procedure, application, work method and operating technique is safe for you, and others, before operation.

## PUBLIC NOTICE

LaBounty reserves the right to make changes and improvements to its products and technical literature at any time, without public notice or obligation. LaBounty also reserves the right to discontinue manufacturing any product at its discretion, at any time.

## WARRANTY

All work or repairs to be considered for warranty reimbursement must be authorized by the LaBounty Service Department before work is started. Any alterations, modifications or repairs performed before authorization by the LaBounty Service Department will render all warranty reimbursement consideration null and void without exception. Improper operation or improperly performed maintenance may render any warranty null and void.

# CONTENTS

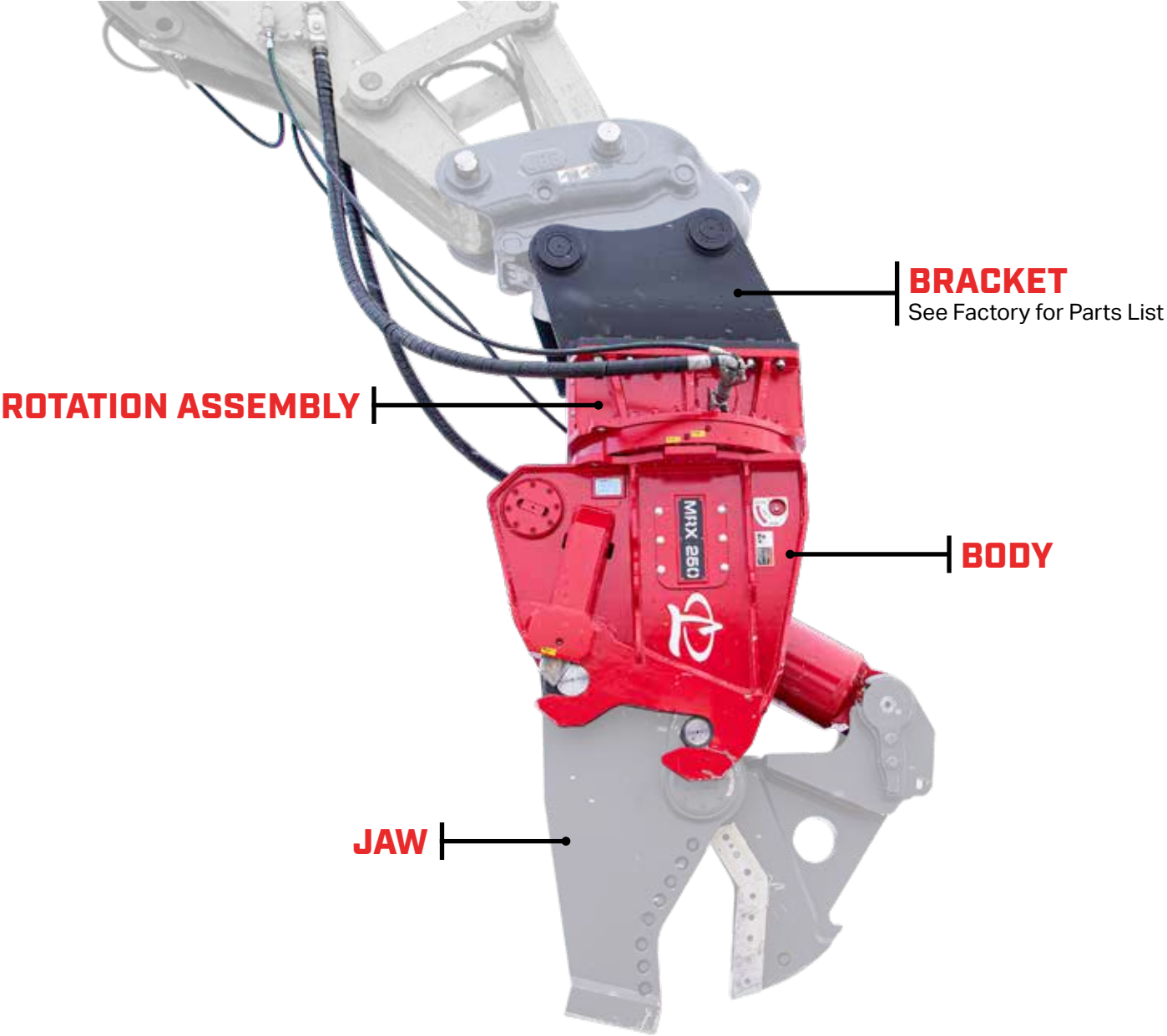
<b>SAFETY</b> .....	<b>6</b>
<b>MRX70</b> .....	<b>8</b>
Body .....	8
Rotation .....	10
Cracker Jaw .....	12
Pulverizer Jaw .....	14
Shear Jaw .....	16
Shear Jaw Cutting Blade Kit .....	17
<b>MRX100</b> .....	<b>18</b>
Body .....	18
Rotation .....	20
Cracker Jaw .....	22
Pulverizer Jaw .....	24
Shear Jaw .....	26
Shear Jaw Full Blade Kit .....	28
<b>MRX130</b> .....	<b>30</b>
Body .....	30
Rotation .....	32
Cracker Jaw .....	34
Pulverizer Jaw .....	36
Shear Jaw .....	38
Shear Jaw Full Blade Kit .....	40
<b>MRX180</b> .....	<b>42</b>
Body .....	42
Rotation .....	44
Cracker Jaw .....	46
Pulverizer Jaw .....	48
Shear Jaw .....	50
Shear Jaw Full Blade Kit .....	52
<b>MRX220</b> .....	<b>54</b>
Body .....	54
Rotation .....	56
Cracker Jaw .....	58
Pulverizer Jaw .....	60
Shear Jaw .....	62
Shear Jaw Full Blade Kit .....	63
<b>MRX260</b> .....	<b>65</b>
Body .....	65
Rotation .....	67
Cracker Jaw .....	69
Pulverizer Jaw .....	71
Shear Jaw .....	73
Shear Jaw Full Blade Kit .....	74

# CONTENTS



<b>MRX360</b> .....	<b>76</b>
Body.....	76
Rotation.....	78
Cracker Jaw.....	80
Pulverizer Jaw.....	82
Shear Jaw.....	84
Shear Jaw Full Blade Kit.....	85
<b>MRX500</b> .....	<b>87</b>
Body.....	87
Rotation.....	89
Cracker Jaw.....	91
Pulverizer Jaw.....	93
Shear Jaw.....	95
Shear Jaw Full Blade Kit.....	96
<b>MRX750</b> .....	<b>98</b>
Body.....	98
Rotation.....	100
Cracker Jaw.....	102
Pulverizer Jaw.....	104
Shear Jaw.....	106
Shear Jaw Full Blade Kit.....	108
<b>HYDRAULIC SCHEMATIC</b> .....	<b>110</b>
<b>WEAR PART KITS</b> .....	<b>111</b>



# TERMS



# SAFETY

	The Safety Alert Symbol alerts you to potential personal injury hazards. Obey all safety messages that follow to avoid possible injury or death.
	Indicates an imminently hazardous situation which will result in death or serious injury.
	Indicates a potentially hazardous situation which could result in death or serious injury.
	Indicates hazards that could result in damage to the equipment or personal injury
	Indicates important procedures



Your safety and the safety of others is a direct result of how you operate and maintain your equipment. Read and understand this manual and other safety information provided with the base machine and be sure that you understand all controls and operating

instructions before attempting to operate this equipment. Failure to follow the safety precautions can result in personal injury, death or property damage.

Carefully read all safety messages in this manual and on your equipment safety signs. Keep safety signs in good condition. Replace missing or damaged safety signs.

Because LaBounty cannot foresee all hazardous circumstances, the precautions listed in this manual and on the equipment are not all-inclusive. If a procedure, method, tool or part is not specifically recommended by LaBounty, determine whether it is safe for you and others, and that the equipment will not be damaged or made unsafe as a result of your decision to implement it.

The basic rules are summarized in this section of the manual. They also appear throughout the manual along with additional specific rules for safety and operation.

## GENERAL

- If the attachment is not functioning properly, shut down the machine, follow proper Lock-out / Tag-out procedures and follow proper repair procedures.
- Remove and replace any damaged or worn parts

- with parts recommended by LaBounty. Use of parts that are not factory approved may cause damage or unnecessary downtime and may void the warranty.
- NEVER operate equipment without the original safety guards in place.
- DO NOT process material with the attachment over the operator's cab. Doing so will result in severe personal injury or death from falling debris.
- DO NOT attempt to process brittle materials, such as axles and railroad rail. DO NOT process any material in a position that may propel it toward the operator, other workers, buildings or equipment.
- Clear all persons and equipment from the area of operation and machine movement. NEVER move loads over people or equipment. When viewing the operation of the attachment, maintain a safe distance of at least 75 feet (23 meters).
- NEVER approach power lines with any part of the machine. Keep clear at a minimum of 15 feet (5 meters).
- DO NOT close the attachment on a structure and reverse the excavator in an attempt to pull down material.
- DO NOT use the attachment in explosive, or potentially explosive, environments. Use in a well ventilated area.
- Use of this tool on certain materials could generate dust potentially containing a variety of hazardous substances, such as, asbestos, silica or lead. Inhalation of dust containing these, or other hazardous substances could result in serious injury, cancer or death. Protect yourself and those around

you. Research and understand the materials you are processing. Follow safety procedures and comply with all applicable national, state or provisional health and safety regulations relating to them. If appropriate, arrange for the safe disposal of the materials by a qualified person.

- Disassembly of any pin-connected attachment can be hazardous. NEVER remove any pin unless the attachment is on the ground and blocked up. Serious injury or death could result. Metal chips or debris may fly when a connecting pin is struck. Use a brass drift when striking pins and always wear protective clothing and proper eye protection. Pins may fly when struck with force to drive them in or out. Always keep people clear when removing or installing pins.
- Do not operate this, or any other equipment, under the influence of drugs or alcohol.
- DO NOT modify LaBounty equipment without factory authorization. This equipment is designed to do a specific job and alterations could result in injury.
- ALWAYS lower the boom to the ground before leaving the cab. If it is necessary to work on an attachment off the ground, securely support the machine and attachment. DO NOT support the machine on cinder blocks, hollow tiles or props that may crumble under continuous load. DO NOT rely on a cylinder to hold the attachment in the air. If a control is moved or hydraulic pressure is otherwise released, the attachment may drop. DO NOT work under a machine that is supported only by a jack.
- DO NOT weld on any structural member unless specifically authorized by LaBounty. Unauthorized welding will void the warranty, may cause structural failure and could result in personal injury.
- Keep clear of potential pinch points, including the moving upper jaw, cylinder connections, bucket linkages and other moving parts.
- Before operating the attachment, read and observe all safety instructions in the Operation & Maintenance manual. If you are unfamiliar with any operation or maintenance procedure, seek instruction before proceeding.
- Inspect the attachment daily. Do not operate a poorly maintained or damaged attachment.
- Never operate a machine if an unsafe condition exists. Attach a "Do Not Operate" tag to the machine.

## **SAFELY OPERATE EQUIPMENT**

- Establish a training program for all operators to ensure safe operation.
- Do not operate the tool or attachment unless thoroughly trained or under the supervision of a qualified operator or instructor.
- Know and obey all OSHA regulations, local laws, and other professional guidelines for your operation.
- Know your work site safety rules. When in doubt on

any safety issue, contact your supervisor or safety coordinator.

- Assess risks to yourself and others around you before operating the tool or attachment. Start in a work area without bystanders and assess the risks to bystanders including, but not limited to, the risk of serious injury or death caused by the tool or accessories dropped from an elevated height.
- Do not operate the equipment from anywhere other than the correct operator's position.
- Do not alter or remove any safety feature from the prime mover or tool.
- Stay alert, watch what you are doing and use common sense when operating the tool. Do not operate the tool or attachment if you are tired or under the influence of drugs, alcohol or medication. A moment of inattention while operating the tool may result in serious injury.

## **BASE MACHINE**

- Ensure that the cab is equipped with the proper safety guards for LaBounty applications. The cab MUST be equipped with an approved Falling Object Protection Structure (FOPS) and cab guarding. The FOPS must meet the requirements of SAE standard J1356. A transparent, shatter-resistant shield covering the front of the cab, is also required. Contact your base machine equipment dealer or manufacturer for more information on the availability of FOPS and cab guarding. Lack of proper FOPS and guards may result in injury or death.
- Avoid tipping. The attachment will alter the lift capacities of the base machine. DO NOT overload the excavator or serious injury could result. Lift capacities will vary if the base machine is not on level ground. Lifting incorrectly can cause severe injury or machine damage. Use the recommended excavator counterweight. Use short slings and lift the load only as high as necessary.
- DO NOT allow riders on the machine. Riders are subject to serious injuries, such as being struck by foreign objects or being thrown off the machine. Riders also distract and obstruct the operator, resulting in the machine being operated in an unsafe manner. NEVER use the attachment as a work platform or personnel carrier.
- Check ground conditions before operating. Avoid unstable or slippery areas and position the base machine on firm, level ground. If level ground is not possible, position the base machine to use the attachment to the front or back of the carrier. Avoid working over the side of the base machine.

## **HYDRAULIC**

- Hydraulic oil becomes hot during operation. DO NOT come in contact with hot hydraulic oil as it could cause

severe burns. Wear adequate protective clothing and safety equipment.

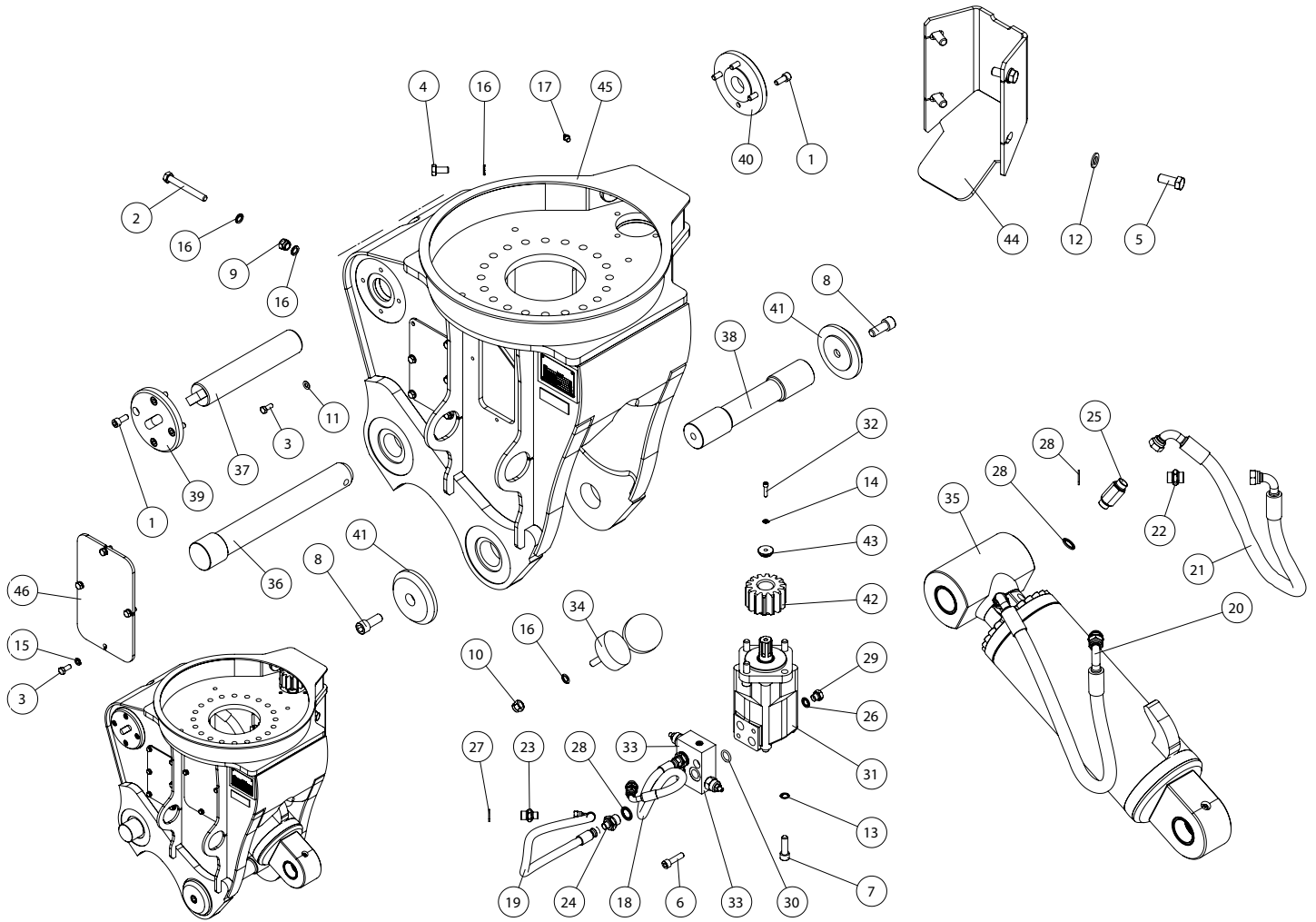
- DO NOT tamper with hydraulic lines or components while they are pressurized. Escaping fluid under pressure can penetrate the skin, causing serious injury. Keep hands and body away from pinholes and nozzles which eject fluids under high pressure. Use a piece of cardboard to search for leaks. If ANY fluid is injected into the skin, seek immediate medical assistance.

## **PPE**

- ALWAYS wear close-fitting clothing and safety equipment appropriate to the job. Safety equipment should be worn at all times when viewing, operating or maintaining the attachment. Safety equipment includes eye protection, hard hat, steel toe shoes, gloves, hearing protection and respirator.

# MRX70

## BODY



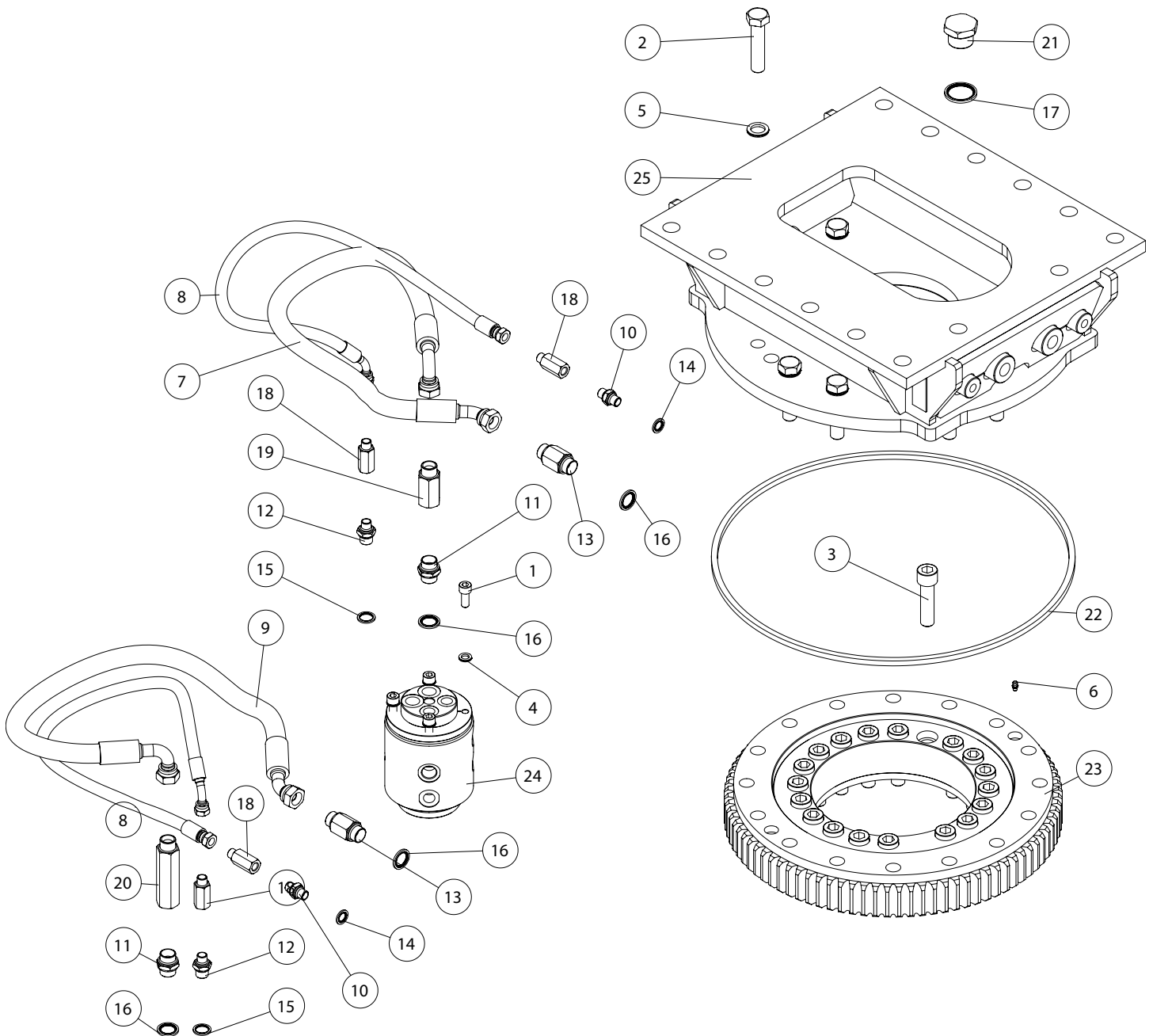
MRX70 Body Parts Illustration			
Item	Qty	Description	Part Number
1	8	SOCKET HEAD CAP SCREW	519452
2	1	HEX HEAD CAP SCREW	519453
3	10	SOCKET HEAD CAP SCREW	519231
4	1	HEX HEAD CAP SCREW	518706
5	4	HEX HEAD CAP SCREW	518283
6	2	SOCKET HEAD CAP SCREW	519454
7	4	SOCKET HEAD CAP SCREW	518709
8	2	SOCKET HEAD CAP SCREW	519455
9	1	HEX NUT W/NYLOCK	519456
10	4	HEX NUT W/NYLOCK	518351
11	6	FLAT WASHER	519233
12	4	FLAT WASHER	518304

MRX70 Body Parts Illustration

Item	Qty	Description	Part Number
13	4	FLAT WASHER	519458
14	1	FLAT WASHER	518352
15	4	FLAT WASHER	519185
16	7	FLAT WASHER	518354
17	1	GREASE FITTING	518203
18	1	HOSE ASSEMBLY	519459
19	1	HOSE ASSEMBLY	519460
20	1	HOSE ASSEMBLY	519461
21	1	HOSE ASSEMBLY	519462
22	2	HYDRAULIC ADAPTOR	518973
23	2	HOSE ADAPTOR	519190
24	2	HOSE ADAPTOR	518746
25	2	HOSE ADAPTOR	519463
26	1	FLAT WASHER	518308
27	2	FLAT WASHER	519191
28	6	FLAT WASHER	518720
29	1	HYDRAULIC ADAPTOR PLUG	518310
30	2	O RING SEAL	519159
31	1	HYDRAULIC MOTOR	519464
32	1	SOCKET HEAD CAP SCREW	519465
33	1	RELIEF VALVE	519443
34	4	DAMPENER	518374
35	1	CYLINDER ASSEMBLY	519433
36	1	PIN MACHINING	519467
37	1	PIN MACHINING	519417
38	1	PIN MACHINING	519468
39	1	PIN RETAINER	519469
40	1	PIN RETAINER	519470
41	2	PIN RETAINER	519471
42	1	PINION GEAR	519442
43	1	FLAT WASHER	519472
44	1	FORMED COVER PLATE	519473
45	1	MRX70 STICK	519474
46	1	COVER PLATE	519476



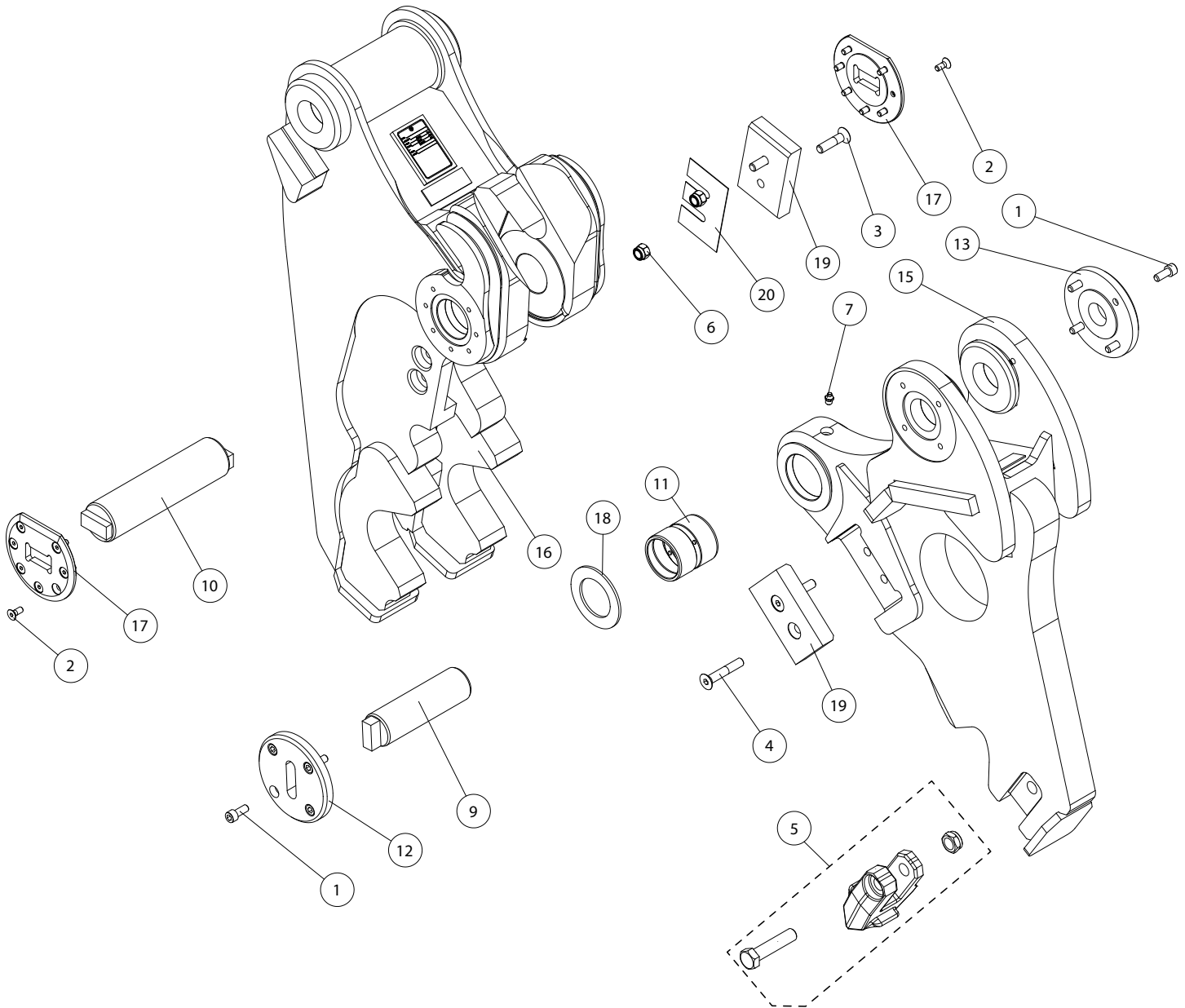
# ROTATION



MRX70 Rotation Parts Illustration

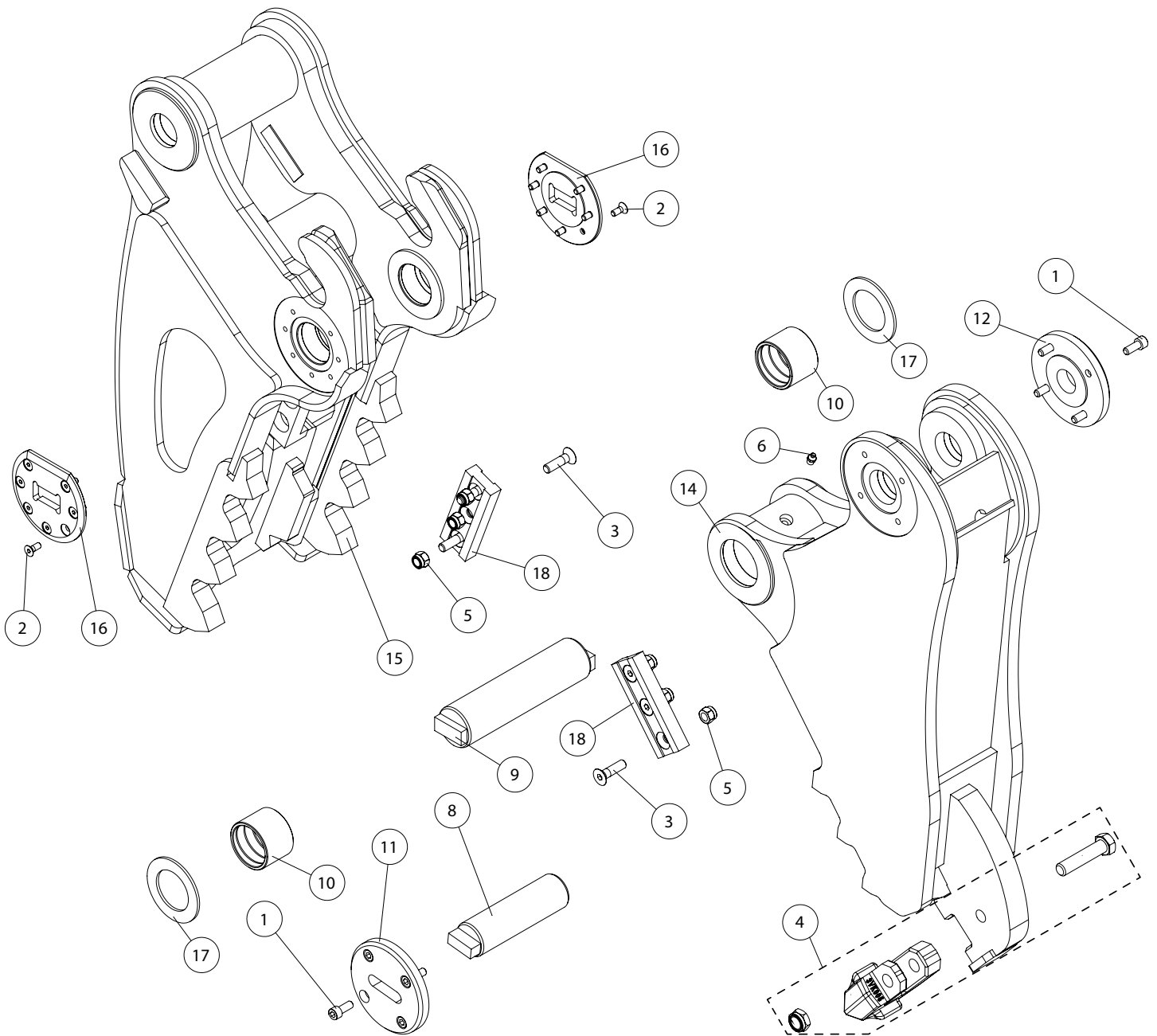
Item	Qty	Description	Part Number
1	4	SOCKET HEAD CAP SCREW	519452
2	12	HEX HEAD CAP SCREW	518642
3	19	SOCKET HEAD CAP SCREW	519447
4	4	FLAT WASHER	518353
5	12	FLAT WASHER	519449
6	2	M6 GREASE FITTING	519478
7	1	HOSE ASSEMBLY	519479
8	2	HOSE ASSEMBLY	519480
9	1	HOSE ASSEMBLY	519481
10	2	HOSE ADAPTOR	518368
11	2	HYDRAULIC ADAPTOR	518973
12	2	HOSE ADAPTOR	519190
13	2	HOSE ADAPTOR	519482
14	2	FLAT WASHER	518308
15	2	FLAT WASHER	519191
16	4	FLAT WASHER	518720
17	2	FLAT WASHER	518975
18	4	HOSE ADAPTOR	519483
19	1	HOSE ADAPTOR	519485
20	1	HOSE ADAPTOR	519486
21	2	HYDRAULIC ADAPTOR PLUG	519487
22	1	O-RING SEAL	519450
23	1	TURNTABLE BEARING	519446
24	1	SWIVEL JOINT	519444
25	1	UPPER HEAD WELDMENT MACHINING	519488

# CRACKER JAW



MRX70 Cracker Jaw Parts Illustration			
Item	Qty	Description	Part Number
1	8	SOCKET HEAD CAP SCREW	519452
2	14	SOCKET HEAD CAP SCREW	519498
3	2	SOCKET HEAD CAP SCREW	SEE "MRX BLADE KITS" ON PAGE 112
4	2	SOCKET HEAD CAP SCREW	SEE "MRX BLADE KITS" ON PAGE 112
5	1	CUTTING BLADE KIT	518169
6	4	HEX NUT W/NYLOCK	SEE "MRX BLADE KITS" ON PAGE 112
7	1	GREASE FITTING	518203
9	1	PIN MACHINING	519418
10	1	PIN MACHINING	519419
11	1	BEARING MACHINING	519423
12	1	PIN RETAINER	519469
13	1	PIN RETAINER	519470
15	1	UPPER WELDMENT MACHINING	519507
16	1	LOWER WELDMENT MACHINING	519508
17	2	SPACER SHIM	519501
18	2	SPACER SHIM	519422
19	2	BLADE MACHINING	SEE "MRX BLADE KITS" ON PAGE 112
20	1	BLADE SHIM	SEE "MRX BLADE KITS" ON PAGE 112

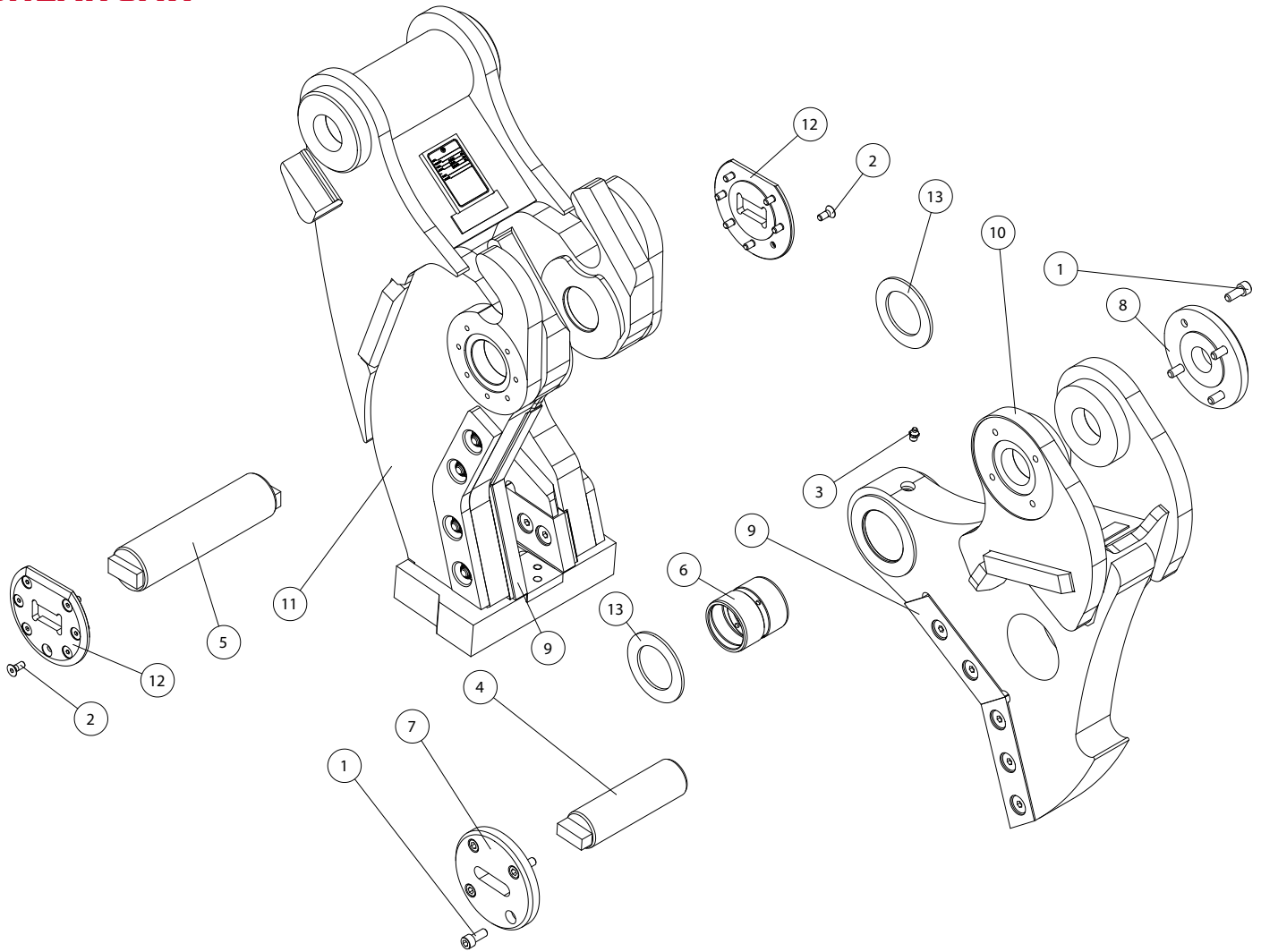
# PULVERIZER JAW



MRX70 Pulverizer Jaw Parts Illustration			
Item	Qty	Description	Part Number
1	8	SOCKET HEAD CAP SCREW	519452
2	14	SOCKET HEAD CAP SCREW	519498
3	6	SOCKET HEAD CAP SCREW	SEE "MRX BLADE KITS" ON PAGE 112
4	1	CUTTING EDGE KIT	518169
5	6	HEX NUT W/NYLOCK	SEE "MRX BLADE KITS" ON PAGE 112
6	1	GREASE FITTING	518203
8	1	PIN MACHINING	519418
9	1	PIN MACHINING	519419
10	2	BEARING MACHINING	519420
11	1	PIN RETAINER	519469
12	1	PIN RETAINER	519470
14	1	UPPER WELDMENT MACHINING	519503
15	1	LOWER WELDMENT MACHINING	519504
16	2	SPACER SHIM	519501
17	2	SPACER SHIM	519422
18	2	CUTTING EDGE	SEE "MRX BLADE KITS" ON PAGE 112

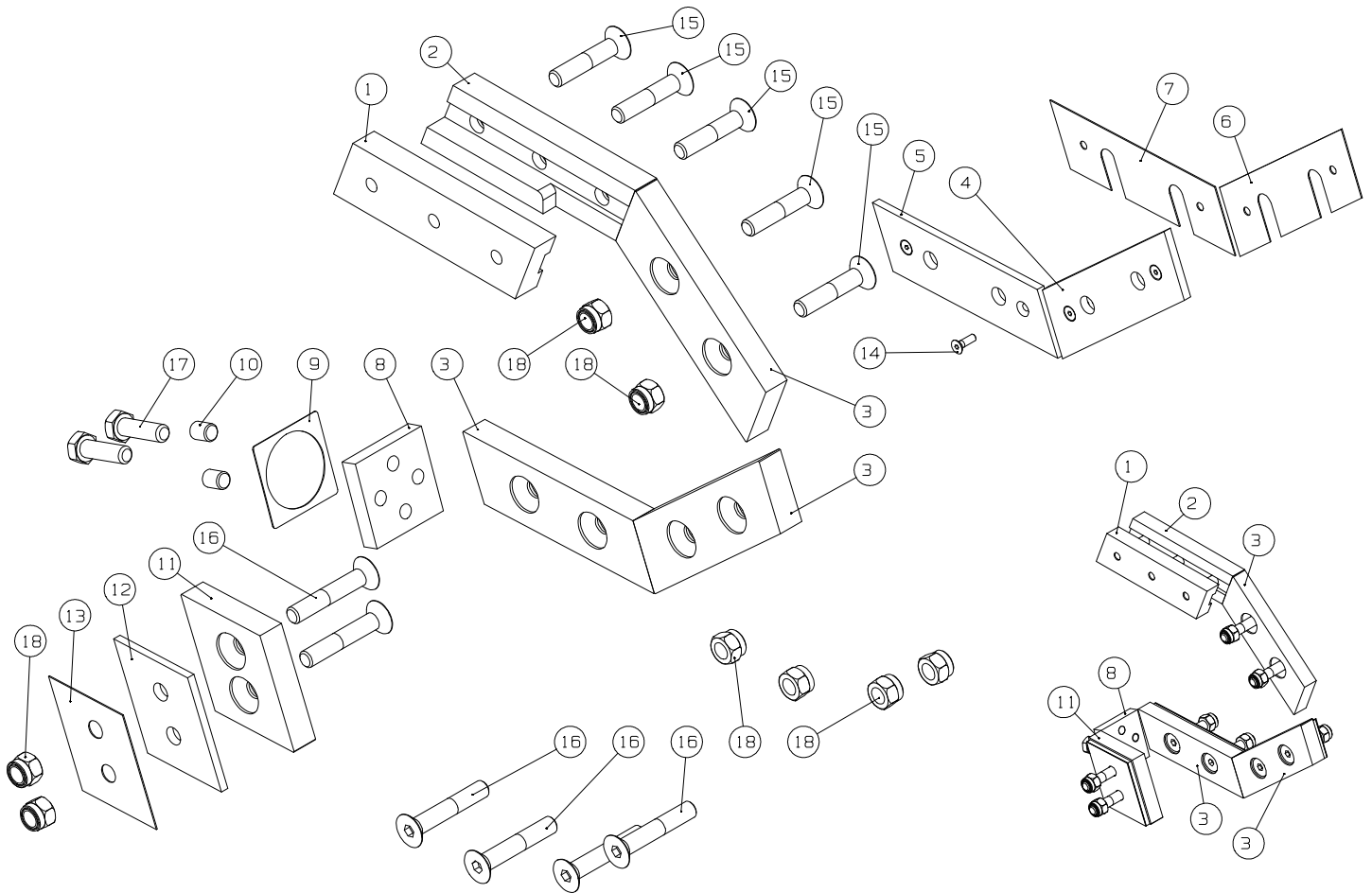


# SHEAR JAW



MRX70 Shear Jaw Parts Illustration			
Item	Qty	Description	Part Number
1	8	SOCKET HEAD CAP SCREW	519452
2	14	SOCKET HEAD CAP SCREW	519498
3	1	GREASE FITTING	518203
4	1	PIN MACHINING	519418
5	1	PIN MACHINING	519419
6	1	BEARING MACHINING	519423
7	1	PIN RETAINER	519469
8	1	PIN RETAINER	519470
9	1	BLADE KIT	519370
10	1	UPPER WELDMENT MACHINING	519499
11	1	LOWER WELDMENT MACHINING	519500
12	2	SPACER SHIM	519501
13	2	SPACER SHIM	519422

# SHEAR JAW CUTTING BLADE KIT (P/N 232538)

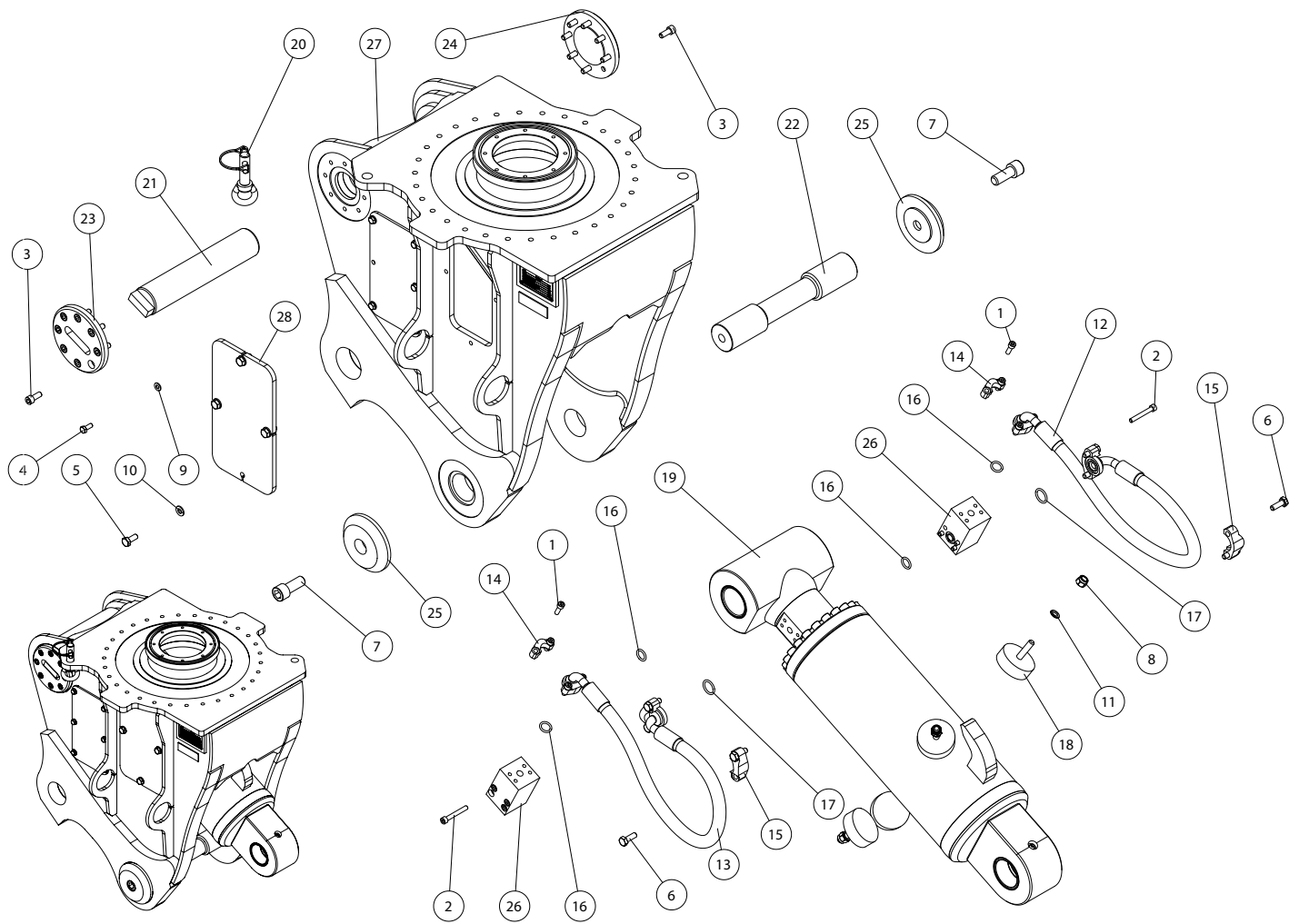


MRX70 Shear Jaw Cutting Blade Kit Parts Illustration			
Item	Qty	Description	Part Number
1	1	BLADE MACHINING	519519
2	1	BLADE MACHINING	519518
3	3	BLADE MACHINING	519521
4	1	SPACER	519515
5	1	SPACER	519516
6	1	SHIM	519525
7	1	SHIM	519527
8	1	CROSS BLADE MACHINING	519522
9	1	SHIM	519524

MRX70 Shear Jaw Cutting Blade Kit Parts Illustration			
Item	Qty	Description	Part Number
10	2	DOWEL PIN	518797
11	1	GUIDE BLADE MACHINING	519523
12	1	SPACER	519517
13	1	SHIM	519526
14	4	CAP SCREW	519512
15	5	CAP SCREW	502474
16	6	CAP SCREW	502475
17	2	CAP SCREW	502493
18	8	NUT	518351

# MRX100

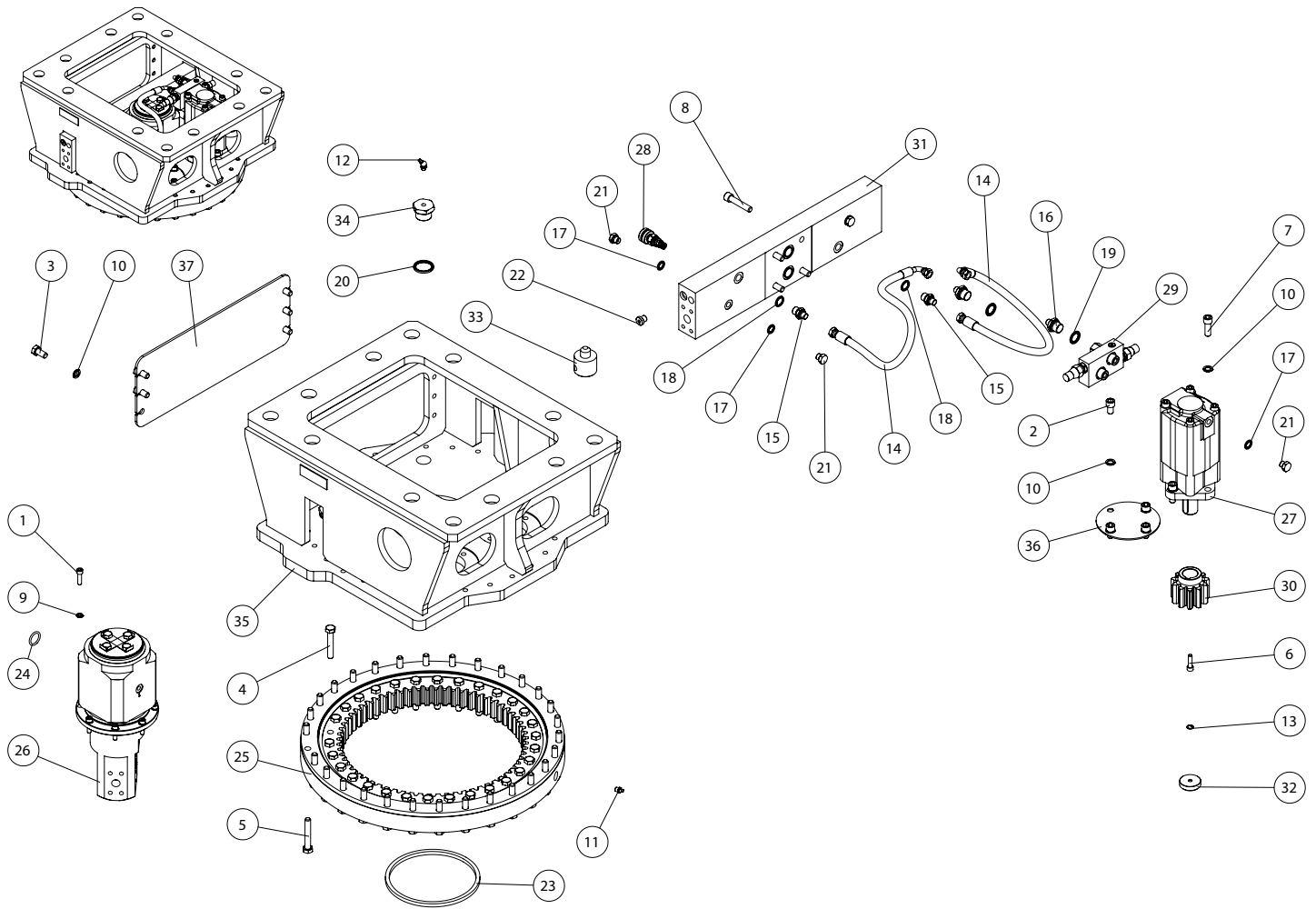
## BODY



## MRX100 Body Parts Illustration

Item	Qty	Description	Part Number
1	8	SOCKET HEAD CAP SCREW	519533
2	8	SOCKET HEAD CAP SCREW	519534
3	16	SOCKET HEAD CAP SCREW	519452
4	12	SOCKET HEAD CAP SCREW	519231
5	8	HEX HEAD CAP SCREW	518192
6	8	HEX HEAD CAP SCREW	519152
7	2	SOCKET HEAD CAP SCREW	518266
8	4	HEX NUT W/NYLOCK	518351
9	12	FLAT WASHER	519233
10	8	FLAT WASHER	518201
11	4	FLAT WASHER	518354
12	1	HOSE ASSEMBLY	519546
13	1	HOSE ASSEMBLY	519548
14	4	SPLIT FLANGE HALF	519158
15	4	SPLIT FLANGE HALF	518905
16	4	O RING SEAL	519159
17	2	O-RING SEAL	518906
18	4	DAMPENER	518374
19	1	CYLINDER ASSEMBLY	519435
20	1	PIN MACHINING	519163
21	1	PIN MACHINING	519165
22	1	PIN MACHINING	519564
23	1	PIN RETAINER	519171
24	1	PIN RETAINER	519172
25	2	PIN RETAINER	519566
26	2	MANIFOLD MACHINING	519173
27	1	MRX100 STICK	519567
28	2	COVER PLATE	519568

# ROTATION

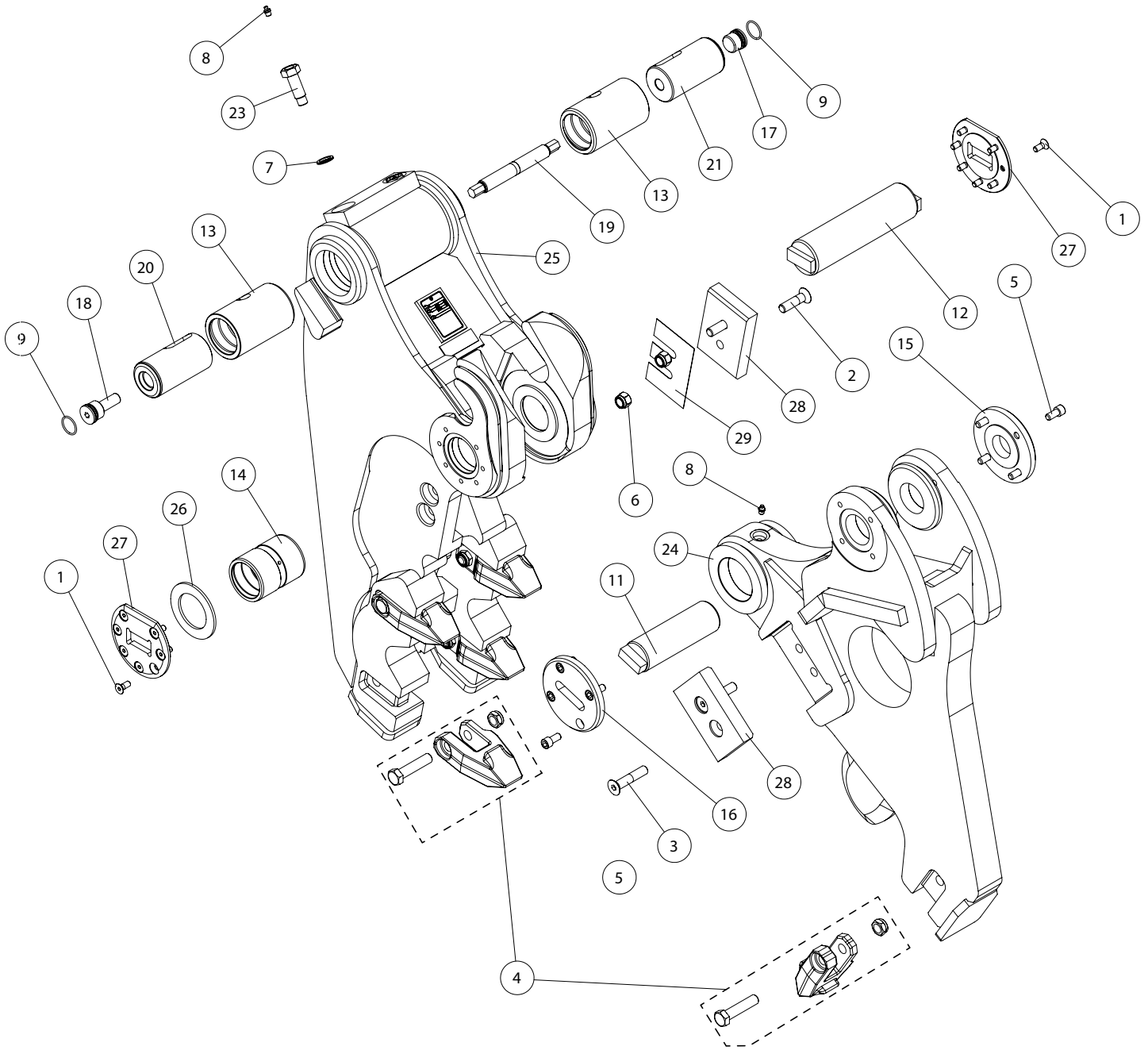


MRX100 Rotation Parts Illustration

Item	Qty	Description	Part Number
1	8	SOCKET HEAD CAP SCREW	519180
2	4	SOCKET HEAD CAP SCREW	519181
3	6	HEX HEAD CAP SCREW	518706
4	30	HEX HEAD CAP SCREW	519182
5	30	HEX HEAD CAP SCREW	519183
6	1	SOCKET HEAD CAP SCREW	519184
7	4	SOCKET HEAD CAP SCREW	518708
8	4	SOCKET HEAD CAP SCREW	518956
9	8	FLAT WASHER	519185
10	14	FLAT WASHER	518354
11	2	GREASE FITTING	518203
12	2	GREASE FITTING	519186
13	1	SNAP RING	519188
14	2	HOSE ASSEMBLY	519189
15	2	HOSE ADAPTOR	519190
16	2	HOSE ADAPTOR	518746
17	5	FLAT WASHER	518308
18	2	FLAT WASHER	519191
19	2	FLAT WASHER	518720
20	2	FLAT WASHER	518975
21	5	HYDRAULIC ADAPTOR PLUG	518310
22	2	HYDRAULIC ADAPTOR PLUG	518397
23	1	RING SEAL	519192
24	2	O-RING SEAL	518906
25	1	TURNTABLE BEARING	519193
26	1	HYDRAULIC ROTATION DISTRIBUTOR	519194
27	1	HYDRAULIC MOTOR	519195
28	2	HYDRAULIC ADAPTOR	518728
29	1	RELIEF VALVE	519197
30	1	PINION GEAR	519198
31	1	MANIFOLD MACHINING	519199
32	1	PLATE MACHINING	519200
33	2	PIN RETAINER	519201
34	2	HYDRAULIC ADAPTOR PLUG	519202
35	1	UPPER HEAD WELDMENT MACHINING	519203
36	1	COVER PLATE	519204
37	1	COVER PLATE	519206



# CRACKER JAW



MRX100 Cracker Jaw Parts Illustration

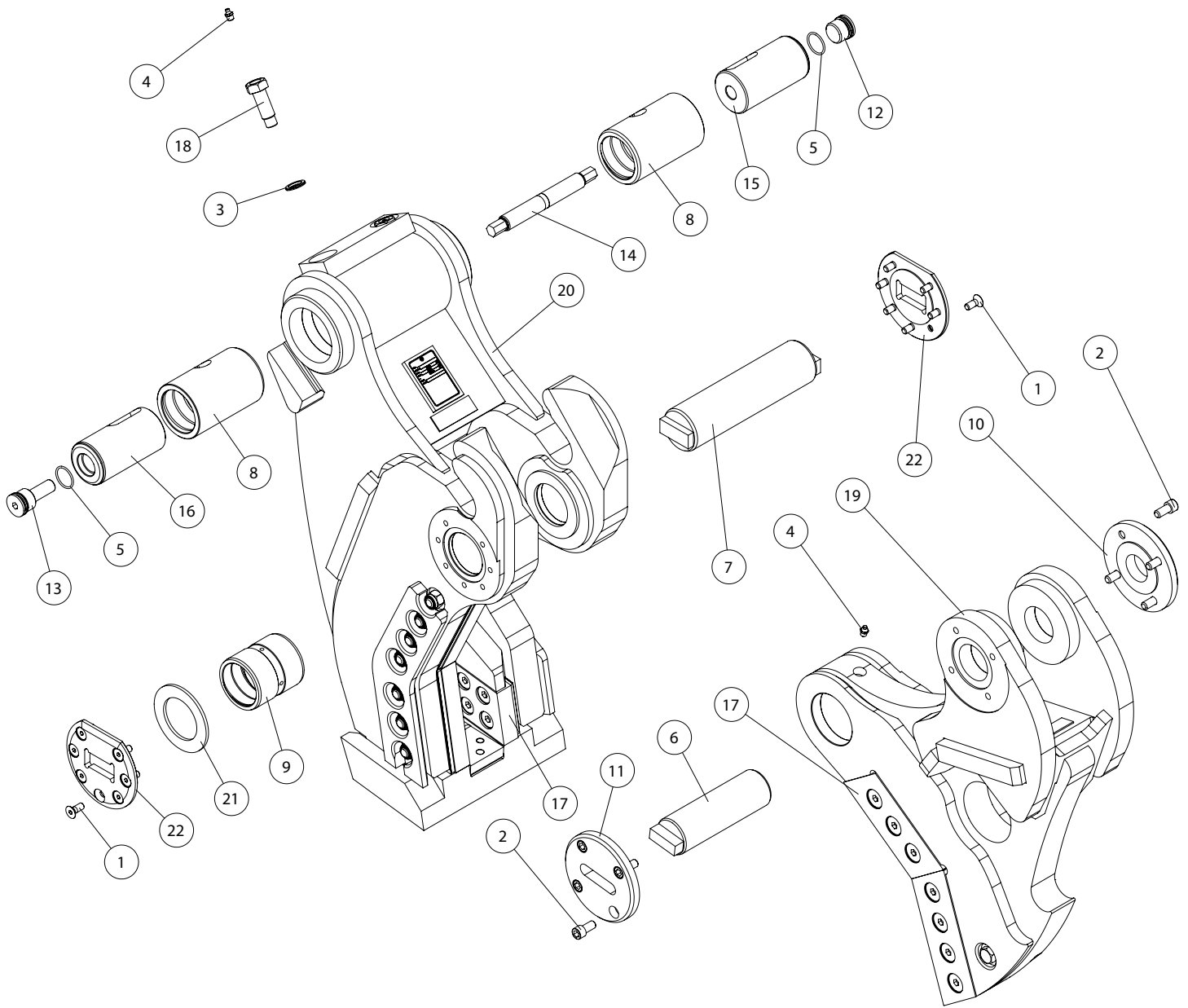
Item	Qty	Description	Part Number
1	14	SOCKET HEAD CAP SCREW	519569
2	2	SOCKET HEAD CAP SCREW	SEE "MRX BLADE KITS" ON PAGE 112
3	2	SOCKET HEAD CAP SCREW	SEE "MRX BLADE KITS" ON PAGE 112
4	5	CUTTING EDGE KIT	518169
5	8	SOCKET HEAD CAP SCREW	519155
6	4	HEX NUT W/NYLOCK	SEE "MRX BLADE KITS" ON PAGE 112
7	2	FLAT WASHER	518961
8	3	GREASE FITTING	518203
9	2	O-RING SEAL	519245
11	1	PIN MACHINING	519425
12	1	PIN MACHINING	519426
13	2	BEARING MACHINING	519570
14	1	BEARING MACHINING	519429
15	1	PIN RETAINER	519571
16	1	PIN RETAINER	519572
17	1	PIN MACHINING	519249
18	1	PIN MACHINING	519251
19	1	BAR MACHINING	519573
20	1	PIN MACHINING	519575
21	1	PIN MACHINING	519576
23	2	HEX HEAD CAP SCREW	519255
24	1	UPPER WELDMENT MACHINING	519582
25	1	LOWER WELDMENT MACHINING	519584
26	2	SPACER SHIM	519427
27	2	SPACER SHIM	519579
28	2	BLADE MACHINING	SEE "MRX BLADE KITS" ON PAGE 112
29	1	BLADE SHIM	SEE "MRX BLADE KITS" ON PAGE 112



MRX100 Pulverizer Jaw Parts Illustration

Item	Qty	Description	Part Number
1	14	SOCKET HEAD CAP SCREW	519569
2	6	SOCKET HEAD CAP SCREW	SEE "MRX BLADE KITS" ON PAGE 112
3	2	CUTTING EDGE KIT	518169
4	1	CUTTING EDGE KIT	518171
5	8	SOCKET HEAD CAP SCREW	519155
6	6	HEX NUT W/NYLOCK	SEE "MRX BLADE KITS" ON PAGE 112
7	2	FLAT WASHER	518961
8	3	GREASE FITTING	518203
9	2	O-RING SEAL	519245
12	1	PIN MACHINING	519425
13	1	PIN MACHINING	519426
14	2	BEARING MACHINING	519167
15	2	BEARING MACHINING	519570
16	1	PIN RETAINER	519571
17	1	PIN RETAINER	519572
18	1	PIN MACHINING	519249
19	1	PIN MACHINING	519251
20	1	BAR MACHINING	519573
21	1	PIN MACHINING	519575
22	1	PIN MACHINING	519576
25	2	HEX HEAD CAP SCREW	519255
26	1	UPPER WELDMENT MACHINING	519580
27	1	LOWER WELDMENT MACHINING	519581
28	2	SPACER SHIM	519427
29	2	SPACER SHIM	519579
30	2	CUTTING EDGE	SEE "MRX BLADE KITS" ON PAGE 112

# SHEAR JAW



MRX100 Shear Jaw Parts Illustration

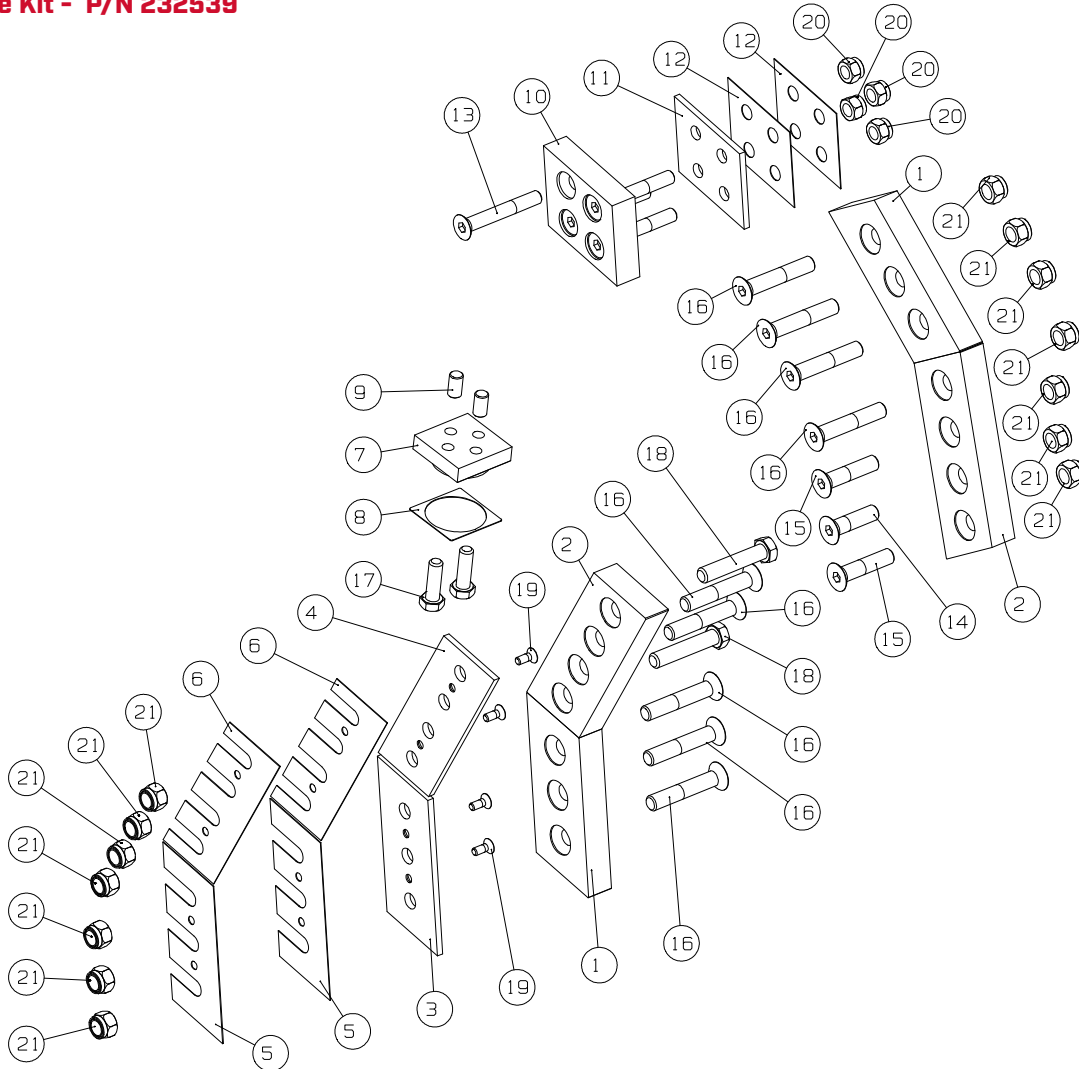
Item	Qty	Description	Part Number
1	14	SOCKET HEAD CAP SCREW	519569
2	8	SOCKET HEAD CAP SCREW	519155
3	2	FLAT WASHER	518961
4	3	GREASE FITTING	518203
5	2	O-RING SEAL	519245
6	1	PIN MACHINING	519425
7	1	PIN MACHINING	519426
8	2	BEARING MACHINING	519570
9	1	BEARING MACHINING	519428
10	1	PIN RETAINER	519571
11	1	PIN RETAINER	519572
12	1	PIN MACHINING	519249
13	1	PIN MACHINING	519251
14	1	BAR MACHINING	519573
15	1	PIN MACHINING	519575
16	1	PIN MACHINING	519576
17	1	BLADE KIT	519377
18	2	HEX HEAD CAP SCREW	519255
19	1	UPPER WELDMENT MACHINING	519577
20	1	LOWER WELDMENT MACHINING	519578
21	2	SPACER SHIM	519427
22	2	SPACER SHIM	519579



# SHEAR JAW FULL BLADE KIT

Full blade kits contain all the parts of the Cutting Blade Kit and the Tip Blade Kit. Use part number 519377 for an MRX100 Shear Jaw Full Blade Kit.

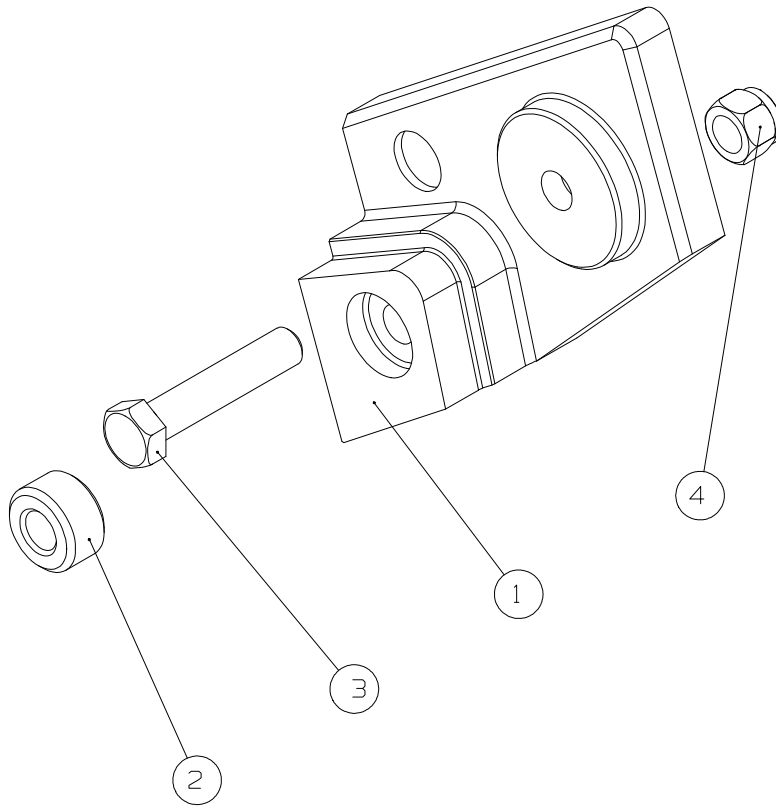
## Cutting Blade Kit - P/N 232539



MRX100 Shear Jaw Cutting Blade Kit Parts Illustration			
Item	Qty	Description	Part Number
1	2	BLADE MACHINING	519600
2	2	BLADE MACHINING	519599
3	1	SPACER	519598
4	1	SPACER	519597
5	2	SHIM	519603
6	2	SHIM	519299
7	1	CROSS BLADE MACHINING	519293
8	1	SHIM	519300
9	2	DOWEL PIN	519287
10	1	GUIDE BLADE MACHINING	519292

MRX100 Shear Jaw Cutting Blade Kit Parts Illustration			
Item	Qty	Description	Part Number
11	1	SPACER	519289
12	2	SHIM	519298
13	4	CAP SCREW	519596
14	1	CAP SCREW	518190
15	2	CAP SCREW	502786
16	9	CAP SCREW	502390
17	2	CAP SCREW	519283
18	2	CAP SCREW	501171
19	4	CAP SCREW	518670
20	4	NUT	518901
21	14	NUT	518199

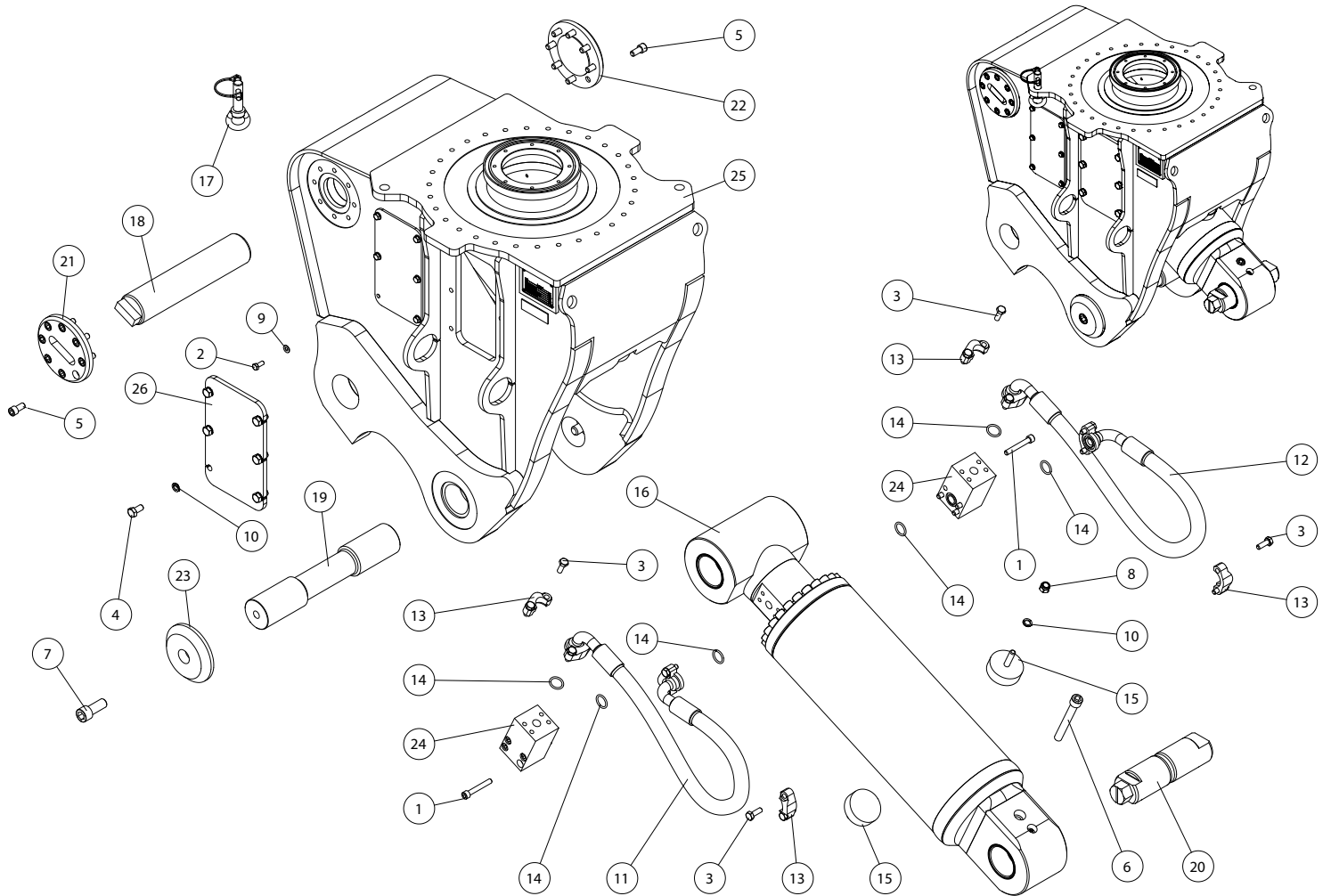
**Tip Blade Kit - P/N 232540**



MRX100 Shear Jaw Tip Blade Kit Parts Illustration			
Item	Qty	Description	Part Number
1	1	BLADE MACHINING	519602
2	1	DOWEL PIN	519288
3	1	CAP SCREW	502385
4	1	NUT	518199

# MRX130

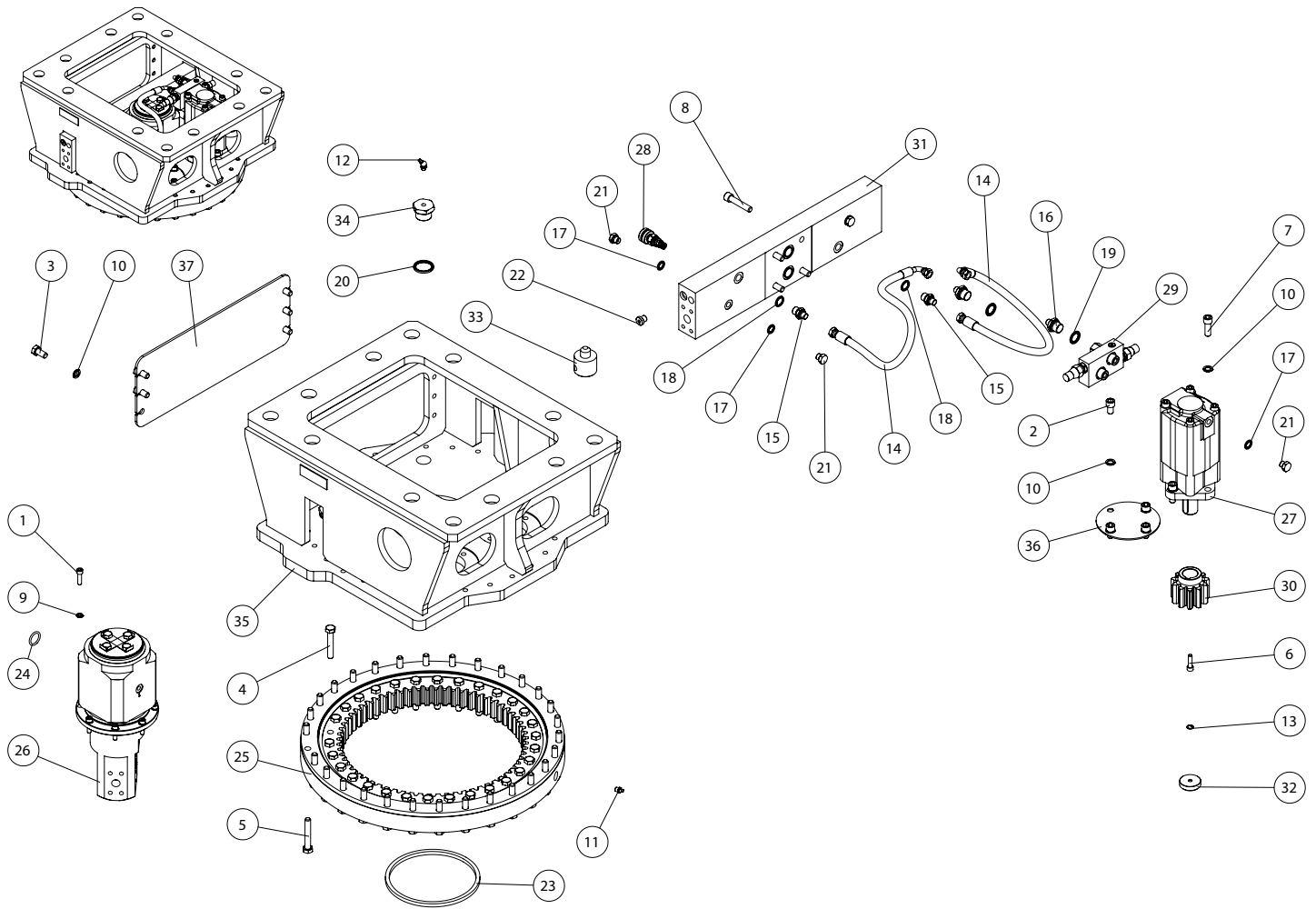
## BODY



MRX130 Body Parts Illustration

Item	Qty	Description	Part Number
1	8	SOCKET HEAD CAP SCREW	518898
2	12	SOCKET HEAD CAP SCREW	519231
3	16	HEX HEAD CAP SCREW	519152
4	12	HEX HEAD CAP SCREW	518706
5	16	SOCKET HEAD CAP SCREW	519155
6	1	SOCKET HEAD CAP SCREW	518713
7	2	SOCKET HEAD CAP SCREW	518266
8	2	HEX NUT W/NYLOCK	518351
9	12	FLAT WASHER	519233
10	14	FLAT WASHER	518354
11	1	HOSE ASSEMBLY	519234
12	1	HOSE ASSEMBLY	519235
13	8	SPLIT FLANGE HALF	518905
14	6	O-RING SEAL	518906
15	2	DAMPENER	518374
16	1	CYLINDER ASSEMBLY	519236
17	1	PIN MACHINING	519163
18	1	PIN MACHINING	519237
19	1	PIN MACHINING	519238
20	1	PIN MACHINING	519239
21	1	PIN RETAINER	519168
22	1	PIN RETAINER	519170
23	2	PIN RETAINER	519240
24	2	MANIFOLD MACHINING	518916
25	1	MRX130 STICK	519242
26	2	COVER PLATE	519243

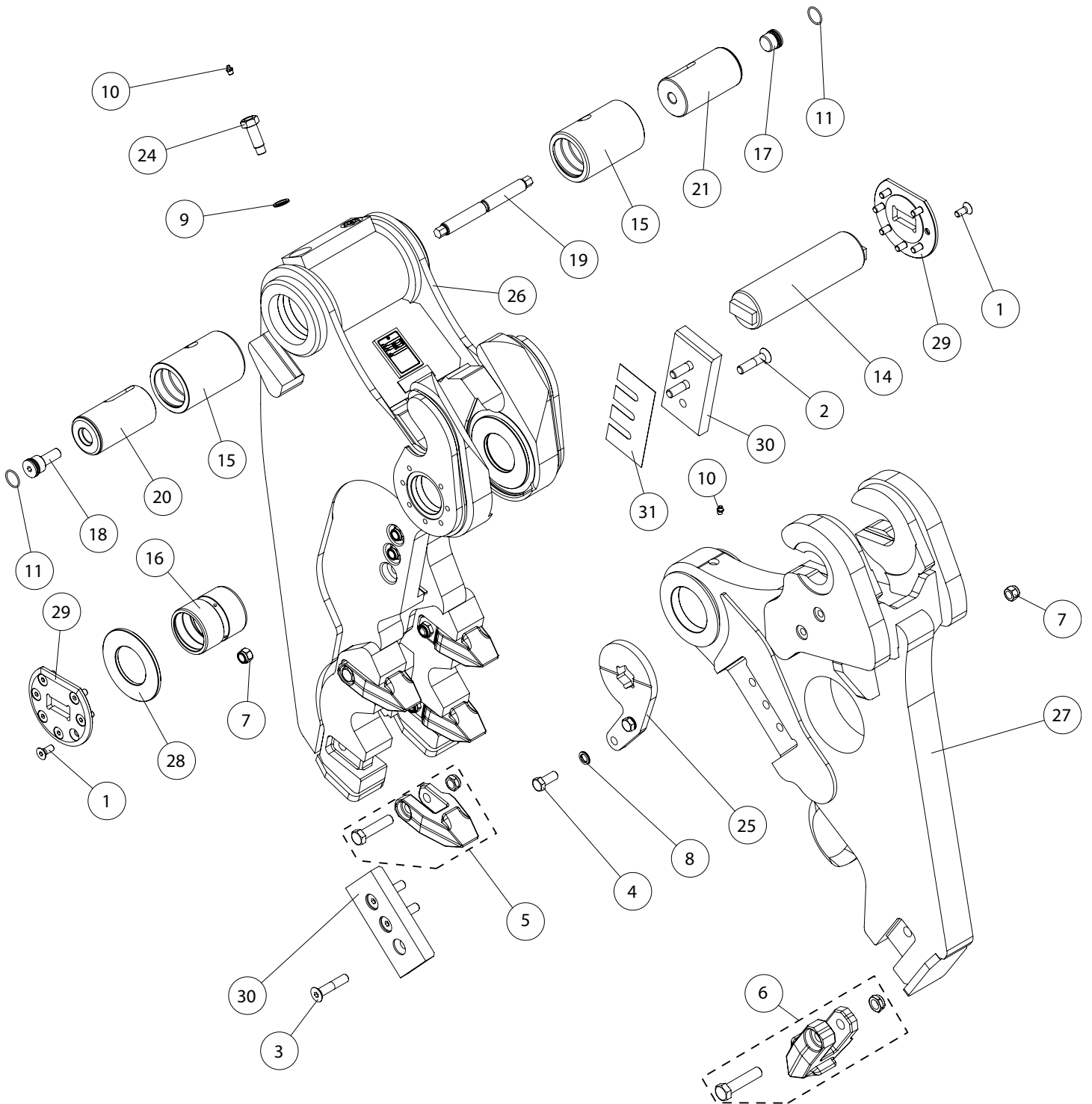
# ROTATION



MRX130 Rotation Parts Illustration

Item	Qty	Description	Part Number
1	8	SOCKET HEAD CAP SCREW	519180
2	4	SOCKET HEAD CAP SCREW	519181
3	6	HEX HEAD CAP SCREW	518706
4	30	HEX HEAD CAP SCREW	519182
5	30	HEX HEAD CAP SCREW	519183
6	1	SOCKET HEAD CAP SCREW	519184
7	4	SOCKET HEAD CAP SCREW	518708
8	4	SOCKET HEAD CAP SCREW	518956
9	8	FLAT WASHER	519185
10	14	FLAT WASHER	518354
11	2	GREASE FITTING	518203
12	2	GREASE FITTING	519186
13	1	SNAP RING	519188
14	2	HOSE ASSEMBLY	519189
15	2	HOSE ADAPTOR	519190
16	2	HOSE ADAPTOR	518746
17	5	FLAT WASHER	518308
18	2	FLAT WASHER	519191
19	2	FLAT WASHER	518720
20	2	FLAT WASHER	518975
21	5	HYDRAULIC ADAPTOR PLUG	518310
22	2	HYDRAULIC ADAPTOR PLUG	518397
23	1	RING SEAL	519192
24	2	O-RING SEAL	518906
25	1	TURNTABLE BEARING	519193
26	1	HYDRAULIC ROTATION DISTRIBUTOR	519194
27	1	HYDRAULIC MOTOR	519195
28	2	HYDRAULIC ADAPTOR	518728
29	1	RELIEF VALVE	519197
30	1	PINION GEAR	519198
31	1	MANIFOLD MACHINING	519199
32	1	PLATE MACHINING	519200
33	2	PIN RETAINER	519201
34	2	HYDRAULIC ADAPTOR PLUG	519202
35	1	UPPER HEAD WELDMENT MACHINING	519203
36	1	COVER PLATE	519204
37	1	COVER PLATE	519206

# CRACKER JAW

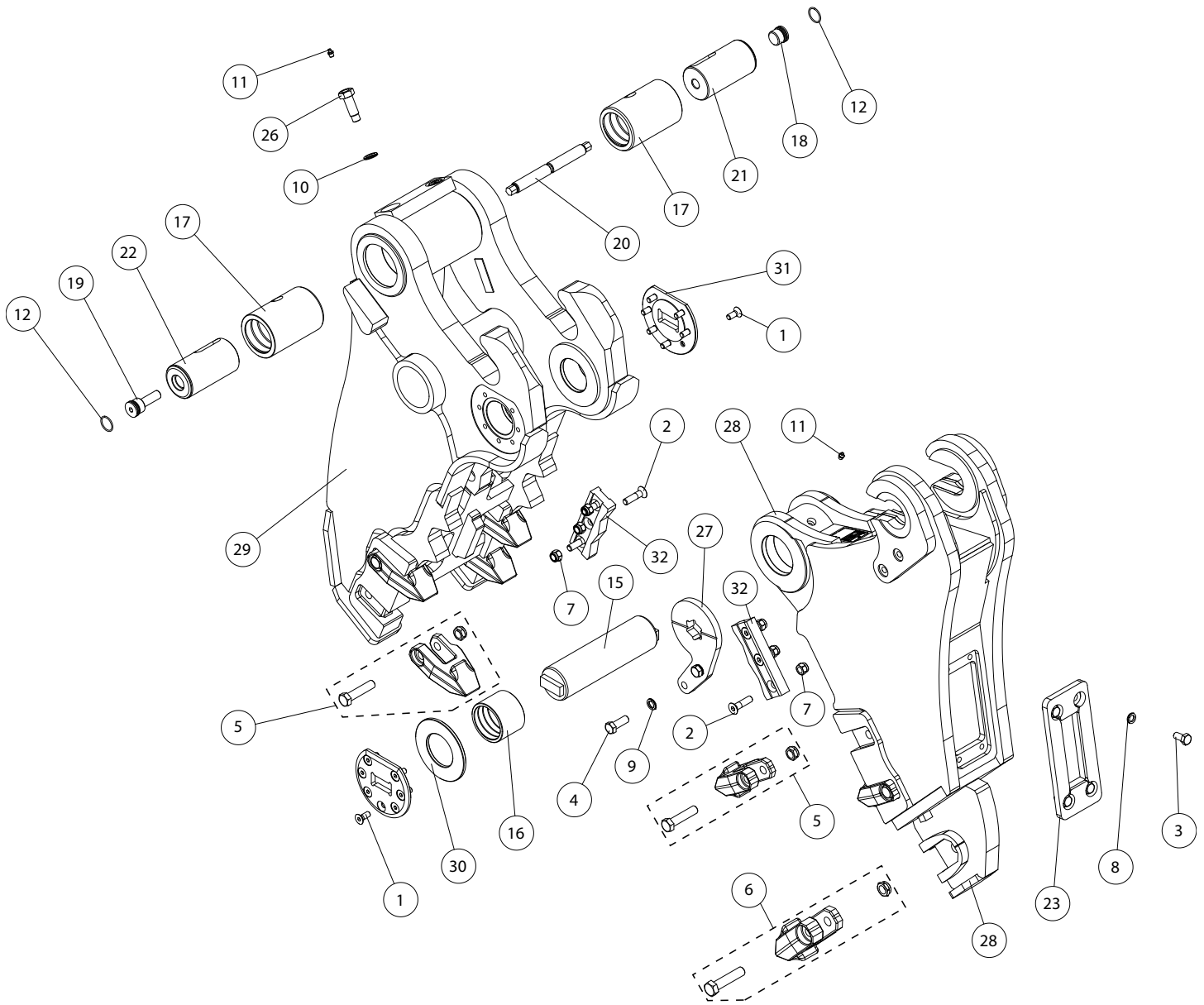


MRX130 Cracker Jaw Parts Illustration

Item	Qty	Description	Part Number
1	14	SOCKET HEAD CAP SCREW	518416
2	3	HEX HEAD CAP SCREW	SEE "MRX BLADE KITS" ON PAGE 112
3	3	SOCKET HEAD CAP SCREW	SEE "MRX BLADE KITS" ON PAGE 112
4	2	HEX HEAD CAP SCREW	518283
5	4	CUTTING EDGE KIT	518169
6	1	CUTTING EDGE KIT	518171
7	6	HEX NUT W/NYLOCK	518199
8	2	FLAT WASHER	518714
9	2	FLAT WASHER	518961
10	3	GREASE FITTING	518203
11	2	O-RING SEAL	519245
14	1	PIN MACHINING	519246
15	2	BEARING MACHINING	519247
16	1	BEARING MACHINING	519248
17	1	PIN MACHINING	519249
18	1	PIN MACHINING	519251
19	1	BAR MACHINING	519252
20	1	PIN MACHINING	519253
21	1	PIN MACHINING	519254
24	2	HEX HEAD CAP SCREW	519255
25	1	LOCK PIN	519256
26	1	MRX130 LOWER CC	519257
27	1	MRX130 UPPER CC	519258
28	2	SPACER SHIM	519260
29	2	SPACER SHIM	519261
30	2	BLADE MACHINING	SEE "MRX BLADE KITS" ON PAGE 112
31	1	BLADE SHIM	SEE "MRX BLADE KITS" ON PAGE 112



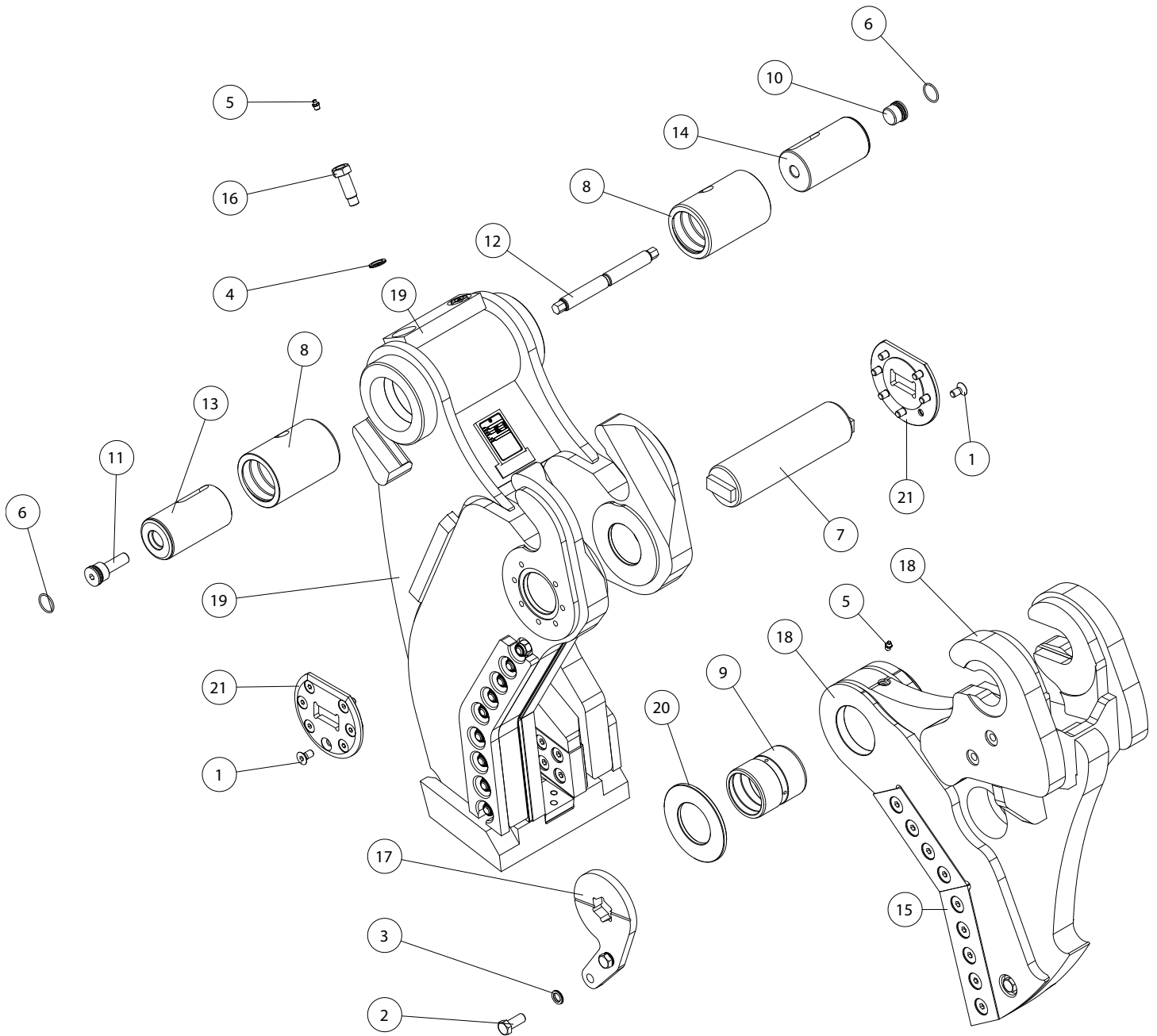
# PULVERIZER JAW



MRX130 Pulverizer Jaw Parts Illustration

Item	Qty	Description	Part Number
1	14	SOCKET HEAD CAP SCREW	518416
2	6	SOCKET HEAD CAP SCREW	SEE "MRX BLADE KITS" ON PAGE 112
3	4	HEX HEAD CAP SCREW	518195
4	2	HEX HEAD CAP SCREW	519265
5	8	CUTTING EDGE KIT	518169
6	2	CUTTING EDGE KIT	518171
7	6	HEX NUT W/NYLOCK	SEE "MRX BLADE KITS" ON PAGE 112
8	4	FLAT WASHER	518355
9	2	FLAT WASHER	518714
10	2	FLAT WASHER	518961
11	3	GREASE FITTING	518203
12	2	O-RING SEAL	519245
15	1	PIN MACHINING	519246
16	2	BEARING MACHINING	519266
17	2	BEARING MACHINING	519247
18	1	PIN MACHINING	519249
19	1	PIN MACHINING	519267
20	1	BAR MACHINING	519252
21	1	PIN MACHINING	519253
22	1	PIN MACHINING	519254
23	1	COVER PLATE	518646
26	2	HEX HEAD CAP SCREW	519255
27	1	LOCK PIN	519256
28	1	MRX130 UPPER CP	519269
29	1	MRX130 LOWER CP	519270
30	2	SPACER SHIM	519260
31	2	SPACER SHIM	519261
32	2	CUTTING EDGE	SEE "MRX BLADE KITS" ON PAGE 112

# SHEAR JAW

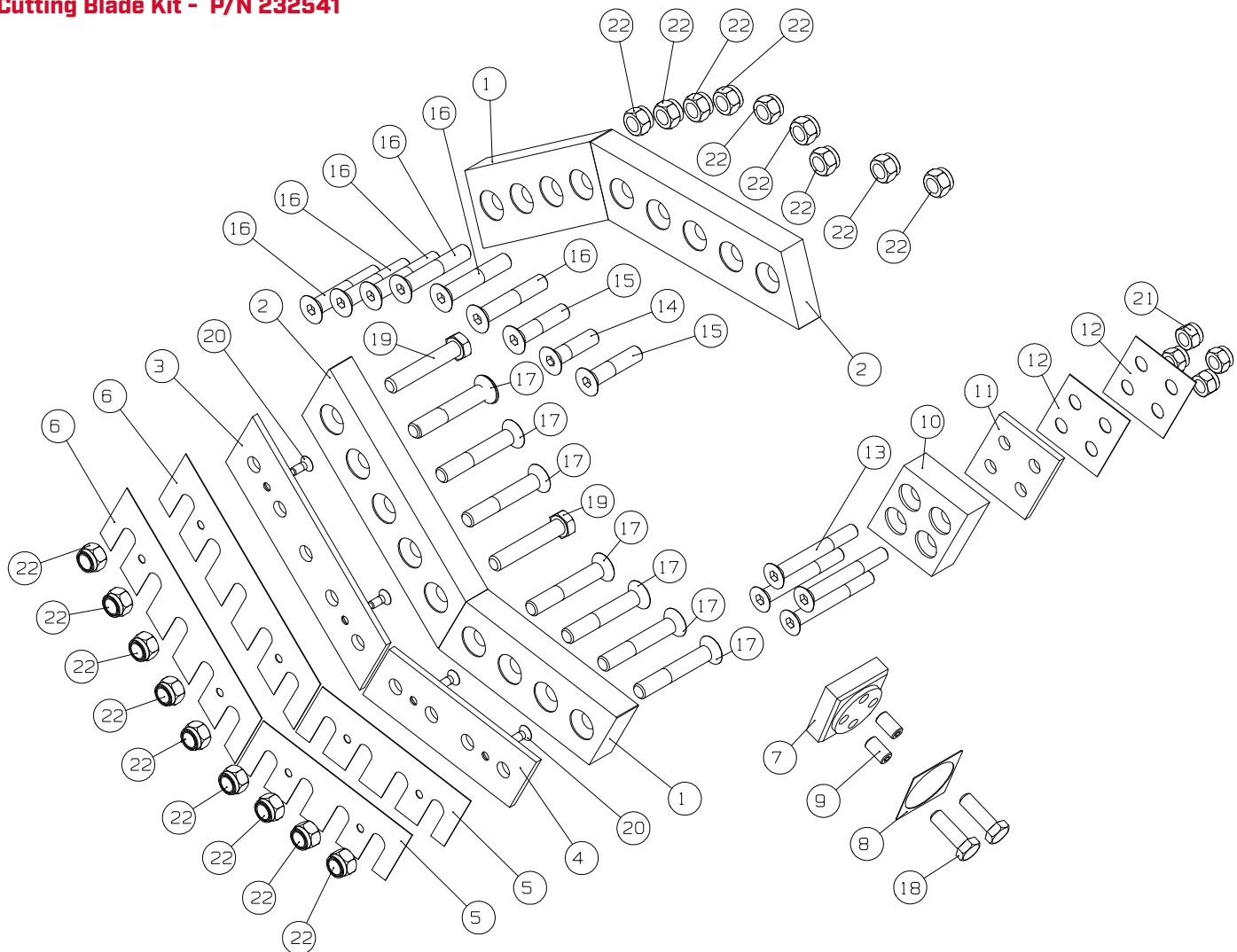


MRX130 Shear Jaw Parts Illustration			
Item	Qty	Description	Part Number
1	14	SOCKET HEAD CAP SCREW	518263
2	2	HEX HEAD CAP SCREW	518283
3	2	FLAT WASHER	518714
4	2	FLAT WASHER	518961
5	3	GREASE FITTING	518203
6	2	O-RING SEAL	519245
7	1	PIN MACHINING	519246
8	2	BEARING MACHINING	519247
9	1	BEARING MACHINING	519303
10	1	PIN MACHINING	519249
11	1	PIN MACHINING	519267
12	1	BAR MACHINING	519252
13	1	PIN MACHINING	519253
14	1	PIN MACHINING	519254
15	1	BLADE KIT	519282
16	2	HEX HEAD CAP SCREW	519255
17	1	LOCK PIN	519256
18	1	UPPER WELDMENT MACHINING	519305
19	1	LOWER WELDMENT MACHINING	519306
20	2	SPACER SHIM	519260
21	2	SPACER SHIM	519261

# SHEAR JAW FULL BLADE KIT

Full blade kits contain all the parts of the Cutting Blade Kit and the Tip Blade Kit. Use part number 519282 for an MRX130 Shear Jaw Full Blade Kit.

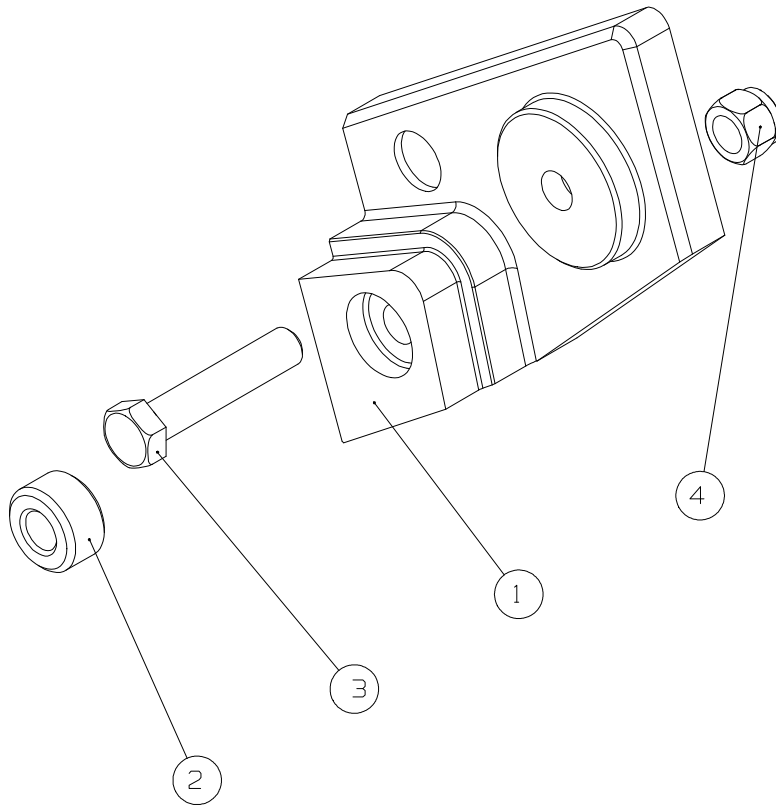
## Cutting Blade Kit - P/N 232541



MRX130 Shear Jaw Cutting Blade Kit Parts Illustration			
Item	Qty	Description	Part Number
1	2	BLADE MACHINING	519294
2	2	BLADE MACHINING	519296
3	1	SPACER	519290
4	1	SPACER	519291
5	2	SHIM	519299
6	2	SHIM	519301
7	1	CROSS BLADE MACHINING	519293
8	1	SHIM	519300
9	2	DOWEL PIN	519287
10	1	GUIDE BLADE MACHINING	519292
11	1	SPACER	519289

MRX130 Shear Jaw Cutting Blade Kit Parts Illustration			
Item	Qty	Description	Part Number
12	2	SHIM	519298
13	4	CAP SCREW	519302
14	1	CAP SCREW	518190
15	2	CAP SCREW	502786
16	6	CAP SCREW	502390
17	8	CAP SCREW	502784
18	2	CAP SCREW	519283
19	2	CAP SCREW	503135
20	4	CAP SCREW	518670
21	4	NUT	518901
22	18	NUT	518199

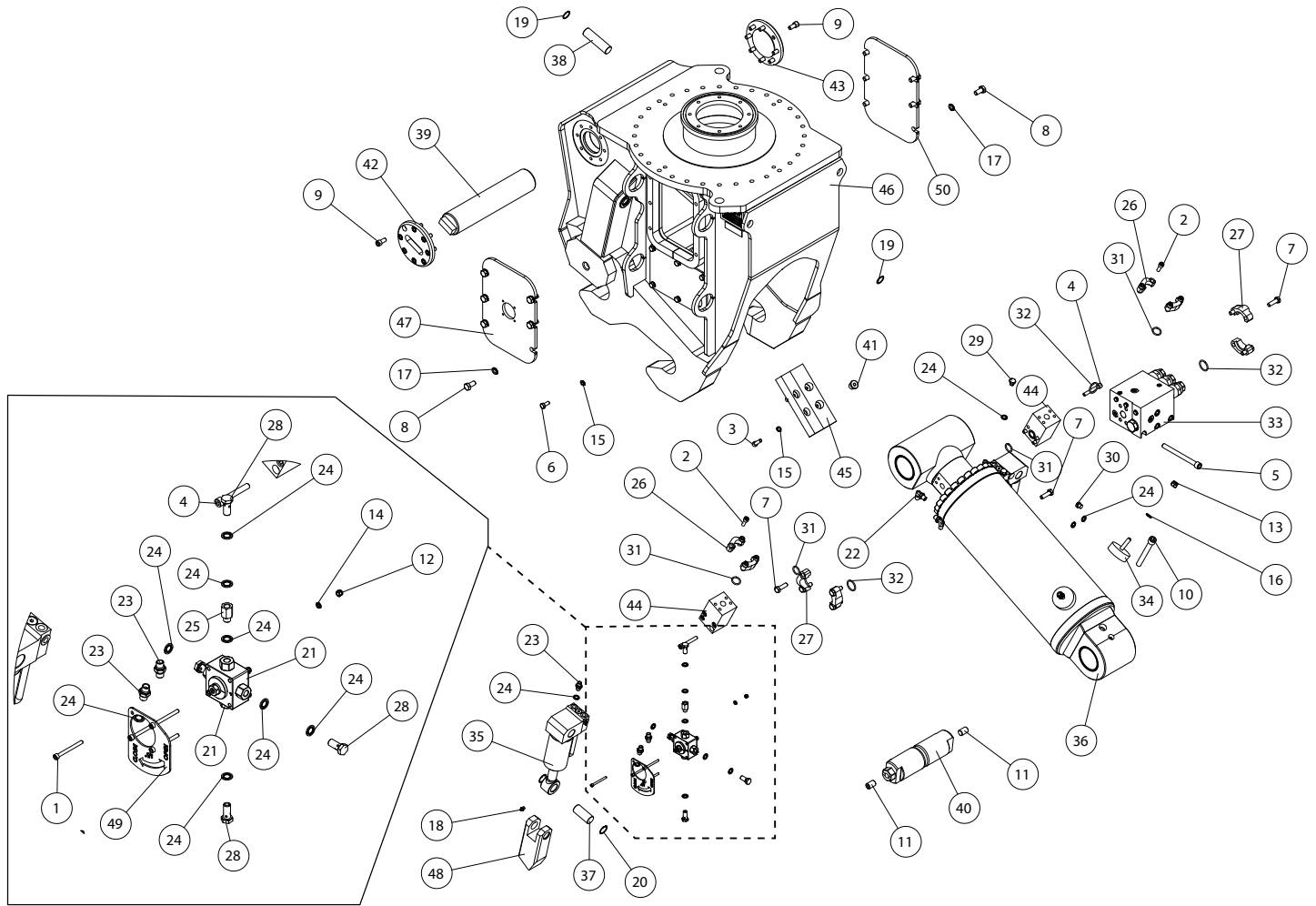
**Tip Blade Kit - P/N 232542**



MRX130 Shear Jaw Tip Blade Kit Parts Illustration			
Item	Qty	Description	Part Number
1	1	BLADE MACHINING	519297
2	1	DOWEL PIN	519288
3	1	CAP SCREW	502385
4	1	NUT	518199

# MRX180

## BODY



MRX180 Body Parts Illustration			
Item	Qty	Description	Part Number
1	4	SOCKET HEAD CAP SCREW	520545
2	8	SOCKET HEAD CAP SCREW	518897
3	4	SOCKET HEAD CAP SCREW	520547
4	8	SOCKET HEAD CAP SCREW	518898
5	4	SOCKET HEAD CAP SCREW	518188
6	12	SOCKET HEAD CAP SCREW	518192
7	8	SOCKET HEAD CAP SCREW	518193
8	12	SOCKET HEAD CAP SCREW	518195
9	16	SOCKET HEAD CAP SCREW	519155
10	1	SOCKET HEAD CAP SCREW	520548
11	2	DOWEL PIN	518671
12	4	HEX NUT	518350
13	2	HEX NUT	518351

## MRX180 Body Parts Illustration

Item	Qty	Description	Part Number
14	4	WASHER	518352
15	16	WASHER	518353
16	2	WASHER	518354
17	12	WASHER	518355
18	2	GREASE FITTING	518203
19	4	C CLIP	518358
20	4	C CLIP	518388
21	1	VALVE SWITCH	518360
22	4	HOSE ASSEMBLY	518367
23	5	HOSE ASSEMBLY	518368
24	15	WASHER	518308
25	1	ADAPTER	518369
26	4	SPLIT FLANGE HALF	518905
27	4	SPLIT FLANGE HALF	518204
28	4	HYDRAULIC ADAPTER PLUG	518370
29	2	HYDRAULIC ADAPTER PLUG	518310
30	1	HYDRAULIC ADAPTER PLUG	518397
31	4	O RING SEAL	518906
32	4	O RING SEAL	518205
33	1	REGEN VALVE	518208
34	2	DAMPENER	518374
35	2	CYLINDER WEDGE ASSEMBLY	518376
36	1	CYLINDER ASSEMBLY	520549
37	2	MACHINED PIN	518377
38	2	MACHINED PIN	518378
39	1	MACHINED PIN	519536
40	1	MACHINED PIN	520550
41	4	MACHINED BUSHING	520551
42	1	PIN RETAINER	518912
43	1	PIN RETAINER	518915
44	2	MANIFOLD MACHINING	518916
45	1	PLATE	520552
46	1	STICK	520553
47	1	COVER	519646
48	2	TOOTH?	519647
51	2	SPACER SHIM	520494
52	2	TOOTH?	518405
53	1	OPEN/CLOSE PLATE	518386
54	2	LOGO PLATE	518262

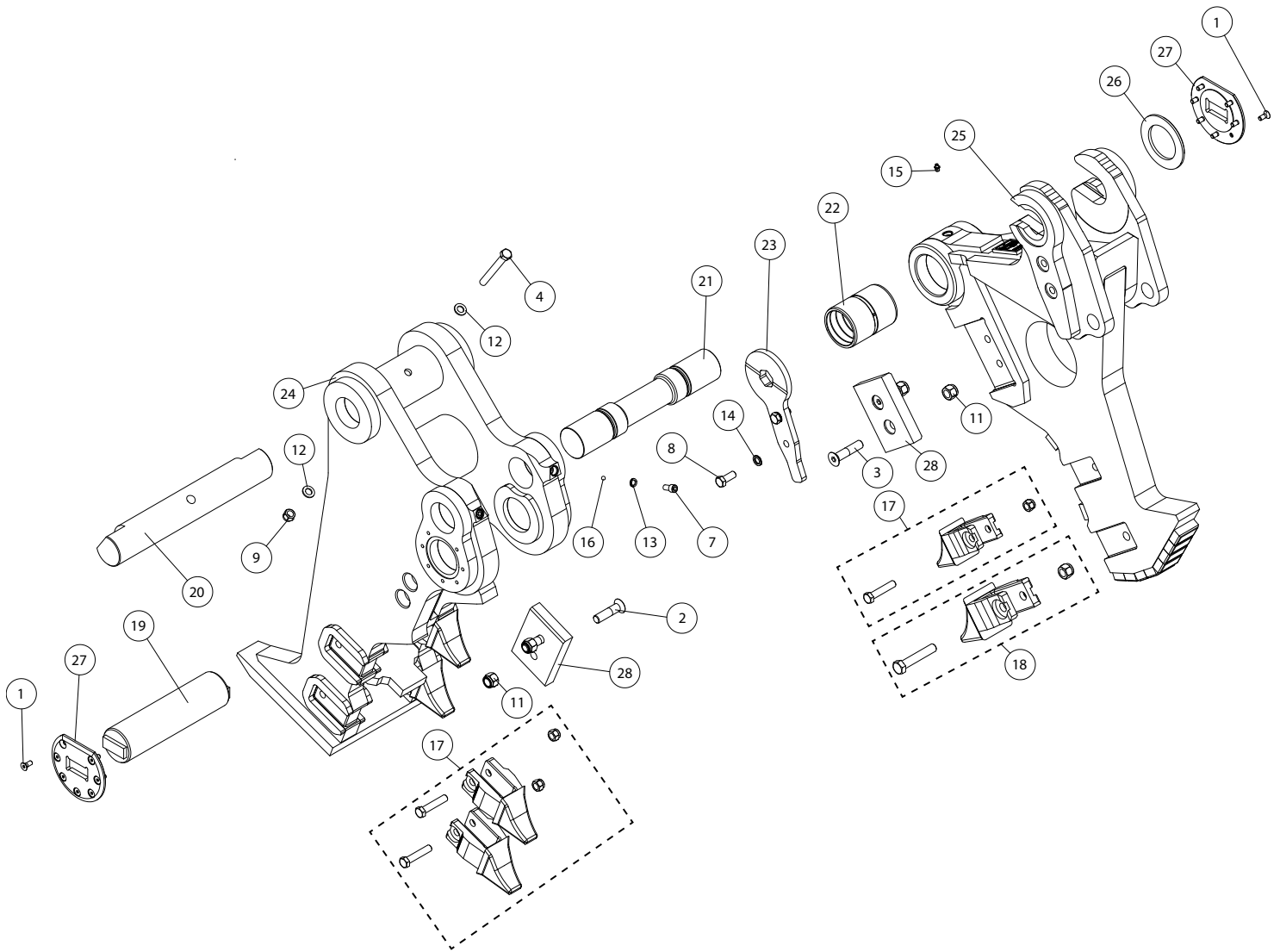




MRX180 Rotation Parts Illustration

Item	Qty	Description	Part Number
1	4	SOCKET HEAD CAP SCREW	518705
2	8	HEX HEAD CAP SCREW	518706
3	4	SOCKET HEAD CAP SCREW	518707
4	8	SOCKET HEAD CAP SCREW	518708
5	8	SOCKET HEAD CAP SCREW	518709
6	8	SOCKET HEAD CAP SCREW	518711
7	32	SOCKET HEAD CAP SCREW	518712
8	24	SOCKET HEAD CAP SCREW	518743
9	24	HEX NUT W/NYLOCK	518199
10	24	FLAT WASHER	518354
11	24	FLAT WASHER	518714
12	6	GREASE FITTING	518203
13	1	COTTER (SPLIT) PIN	518715
14	2	HYDRAULIC HOSE	518744
15	2	HOSE ADAPTOR	518745
16	4	HOSE ADAPTOR	518746
17	2	FLAT WASHER	518308
18	4	FLAT WASHER	518720
19	2	FLAT WASHER	518721
20	8	HYDRAULIC ADAPTOR PLUG	518397
21	2	HYDRAULIC ADAPTOR PLUG	518747
22	1	HYDRAULIC ADAPTOR PLUG	518371
23	1	8X8 MM GASKET	518724
24	2	O RING SEAL	518205
25	1	TURN TABLE BEARING	518749
26	1	HYDRAULIC DISTRIBUTOR	518726
27	1	HYDRAULIC MOTOR	518727
28	2	HYDRAULIC ADAPTOR	518728
29	1	MANIFOLD MACHINING	518730
30	1	HITCH PIN	518731
31	1	PINION GEAR	518732
32	1	MANIFOLD MACHINING	518733
33	2	HYDRAULIC ADAPTOR PLUG	518734
34	1	UPPER HEAD WELDMENT MACHINING	518750
35	2	SIDE PLATE	518737
36	1	COVER PLATE	518738
37	2	FORMED COVER PLATE	518751

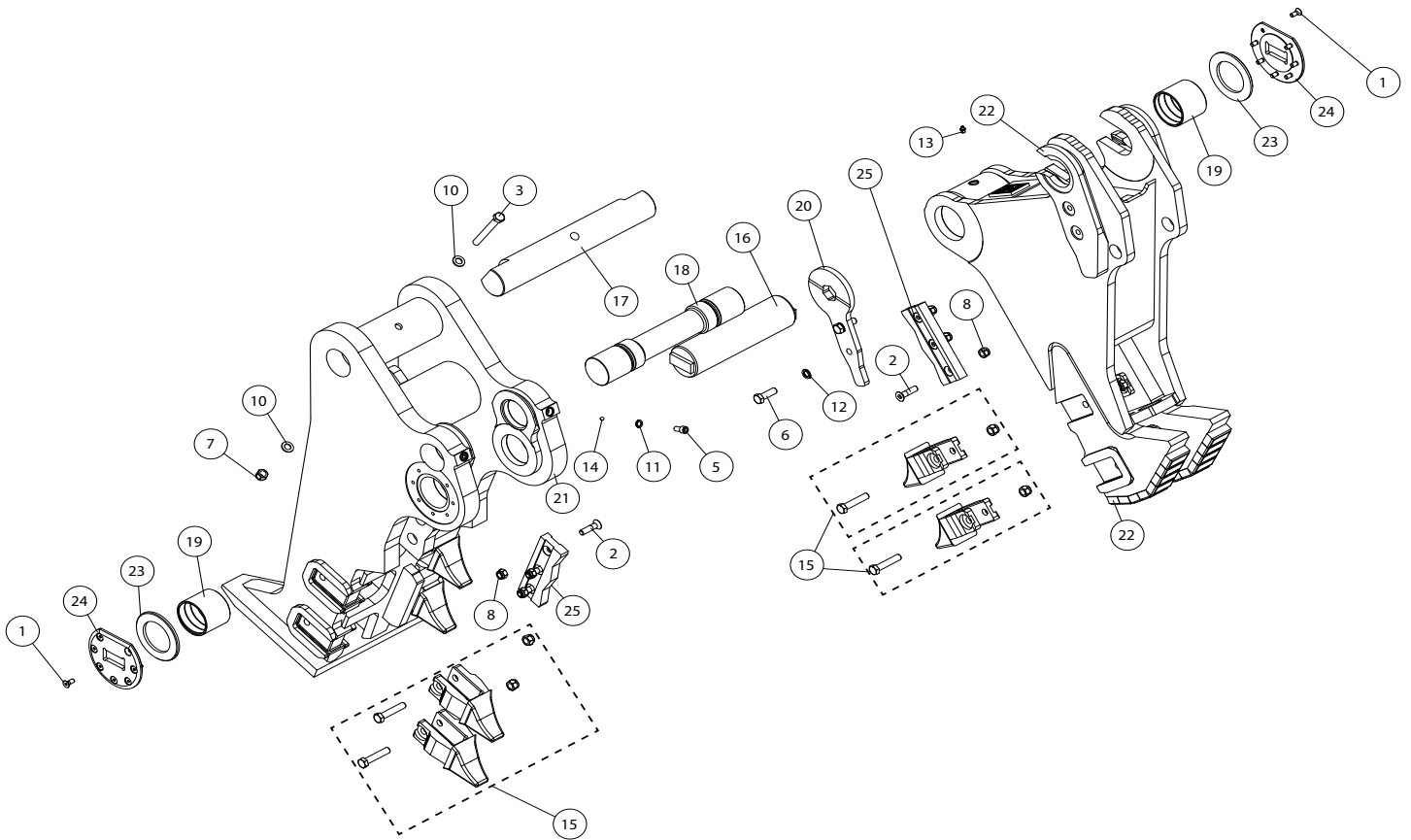
# CRACKER JAW



MRX180 Cracker Jaw Parts Illustration

Item	Qty	Description	Part Number
1	14	SOCKET HEAD CAP SCREW	519569
2	2	SOCKET HEAD CAP SCREW	SEE "MRX BLADE KITS" ON PAGE 112
3	2	SOCKET HEAD CAP SCREW	SEE "MRX BLADE KITS" ON PAGE 112
4	1	HEX HEAD CAP SCREW	518614
5	5	SOCKET HEAD CAP SCREW	518196
6	1	HEX HEAD CAP SCREW	518197
7	2	SOCKET HEAD CAP SCREW	519155
8	2	HEX HEAD CAP SCREW	520567
9	1	HEX NUT	518419
10	5	HEX NUT	518199
11	5	HEX NUT	SEE "MRX BLADE KITS" ON PAGE 112
12	2	WASHER	518304
13	2	WASHER	518354
14	2	WASHER	518714
15	1	GREASE FITTING	518203
16	2	BALL BEARING	520556
17	5	TEETH	518158
18	1	CUTTING EDGE KIT	518159
19	1	PIN MACHINING	519539
20	1	PIN MACHINING	519650
21	1	PIN MACHINING	520557
22	1	BEARING	519543
23	1	LOCK PLATE	520559
24	1	UPPER WELDMENT	520568
25	1	LOWER WELDMENT	520569
26	2	SPACER SHIM	519541
27	2	COVER PLATE	519656
28	2	BLADE KIT	SEE "MRX BLADE KITS" ON PAGE 112

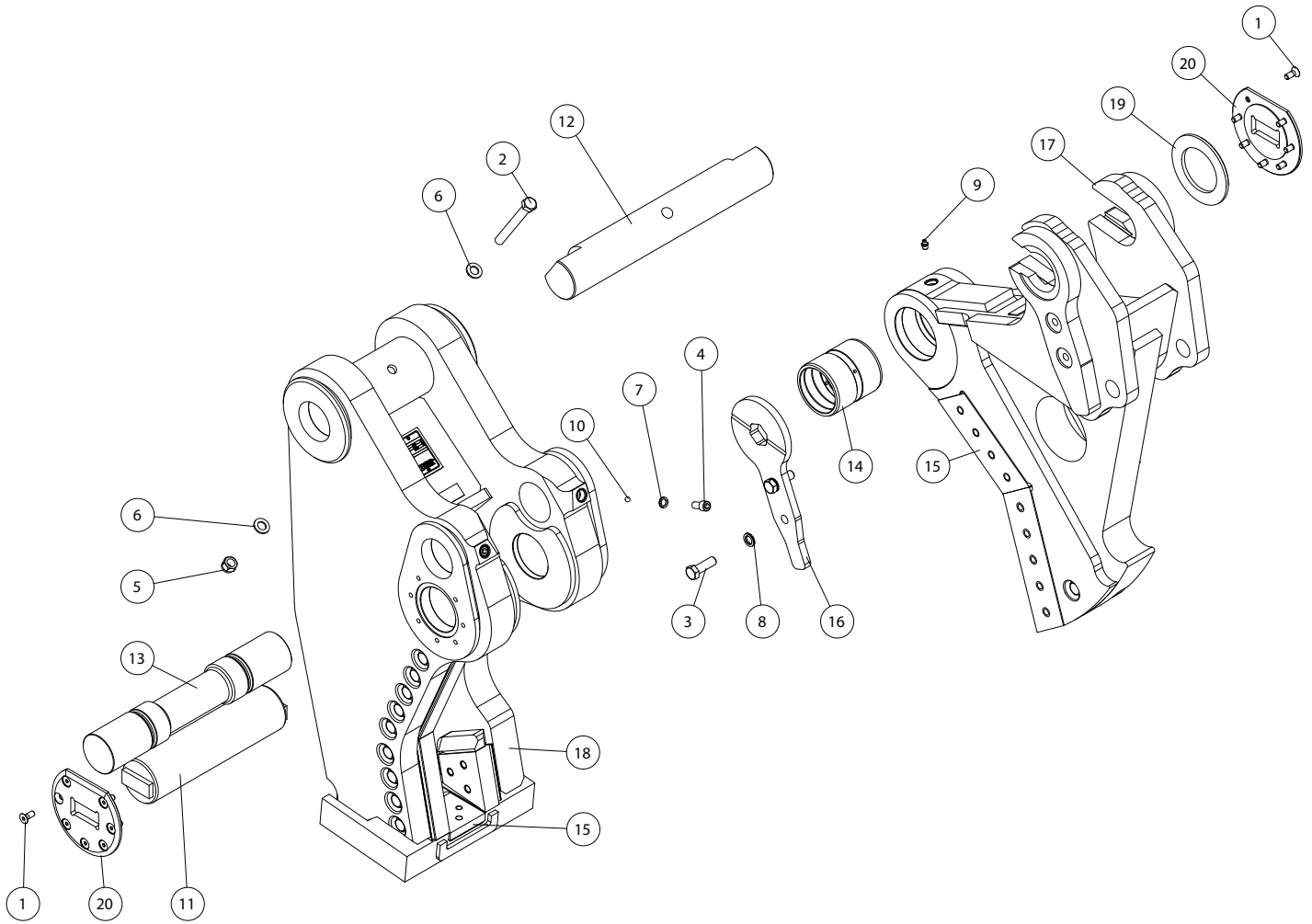
# PULVERIZER JAW



MRX180 Pulverizer Jaw Parts Illustration

Item	Qty	Description	Part Number
1	14	SOCKET HEAD CAP SCREW	519569
2	6	SOCKET HEAD CAP SCREW	SEE "MRX BLADE KITS" ON PAGE 112
3	1	HEX HEAD CAP SCREW	518614
4	8	SOCKET HEAD CAP SCREW	518196
5	2	SOCKET HEAD CAP SCREW	519155
6	2	HEX HEAD CAP SCREW	520562
7	1	HEX NUT	518419
8	6	HEX NUT	SEE "MRX BLADE KITS" ON PAGE 112
9	8	HEX NUT	518199
10	2	WASHER	518304
11	2	WASHER	518354
12	2	WASHER	518714
13	1	GREASE FITTING	518203
14	2	BALL BEARING	520556
15	8	CUTTING EDGE KIT	518158
16	1	MACHINED PIN	519539
17	1	MACHINED PIN	519650
18	1	MACHINED PIN	520563
19	2	BEARING	518911
20	1	LOCK PLATE	520559
21	1	UPPER WELDMENT	520565
22	1	LOWER WELDMENT	520566
23	2	SPACER SHIM	519541
24	2	COVER PLATE	519656
25	2	BLADE KIT	SEE "MRX BLADE KITS" ON PAGE 112

# SHEAR JAW



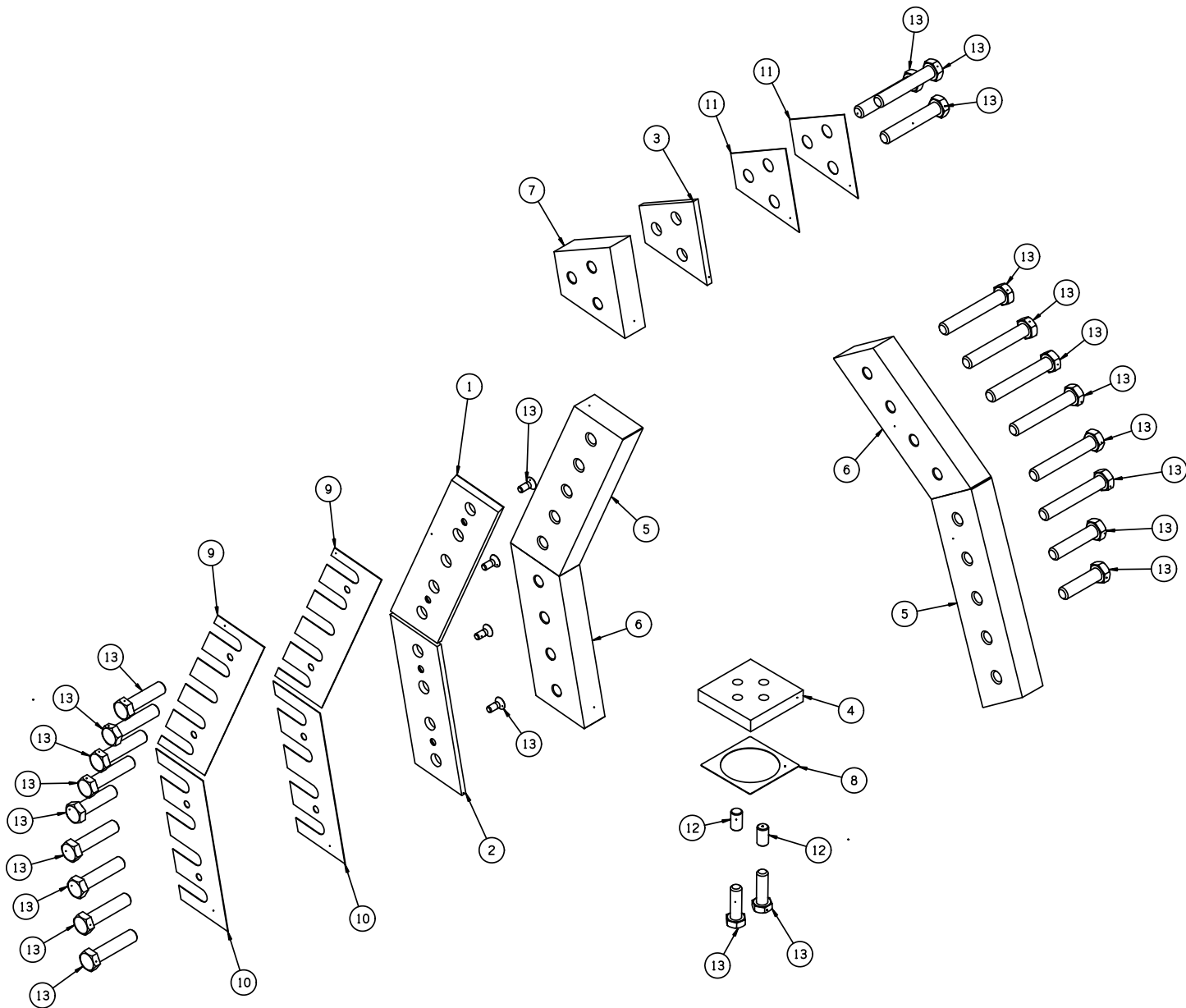
MRX180 Shear Jaw Parts Illustration			
Item	Qty	Description	Part Number
1	14	SOCKET HEAD CAP SCREW	519569
2	1	HEX HEAD CAP SCREW	518614
3	2	HEX HEAD CAP SCREW	520554
4	2	SOCKET HEAD CAP SCREW	519155
5	1	HEX NUT	518419
6	2	WASHER	518304
7	2	WASHER	518354
8	2	WASHER	518714
9	1	GREASE FITTING	518203
10	2	BALL BEARING	520556
11	1	MACHINED PIN	519539
12	1	MACHINED PIN	519650
13	1	MACHINED PIN	520557
14	1	BEARING	519542
15	1	BLADE KIT	520558
16	1	LOCK PLATE	520559
17	1	UPPER WELDMENT	520560
18	1	LOWER WELDMENT	520561
19	2	SPACER SHIM	519541
20	2	COVER PLATE	519656



# SHEAR JAW FULL BLADE KIT

Full blade kits contain all the parts of the Cutting Blade Kit and the Tip Blade Kit. Use part number 520558 for an MRX180 Shear Jaw Full Blade Kit.

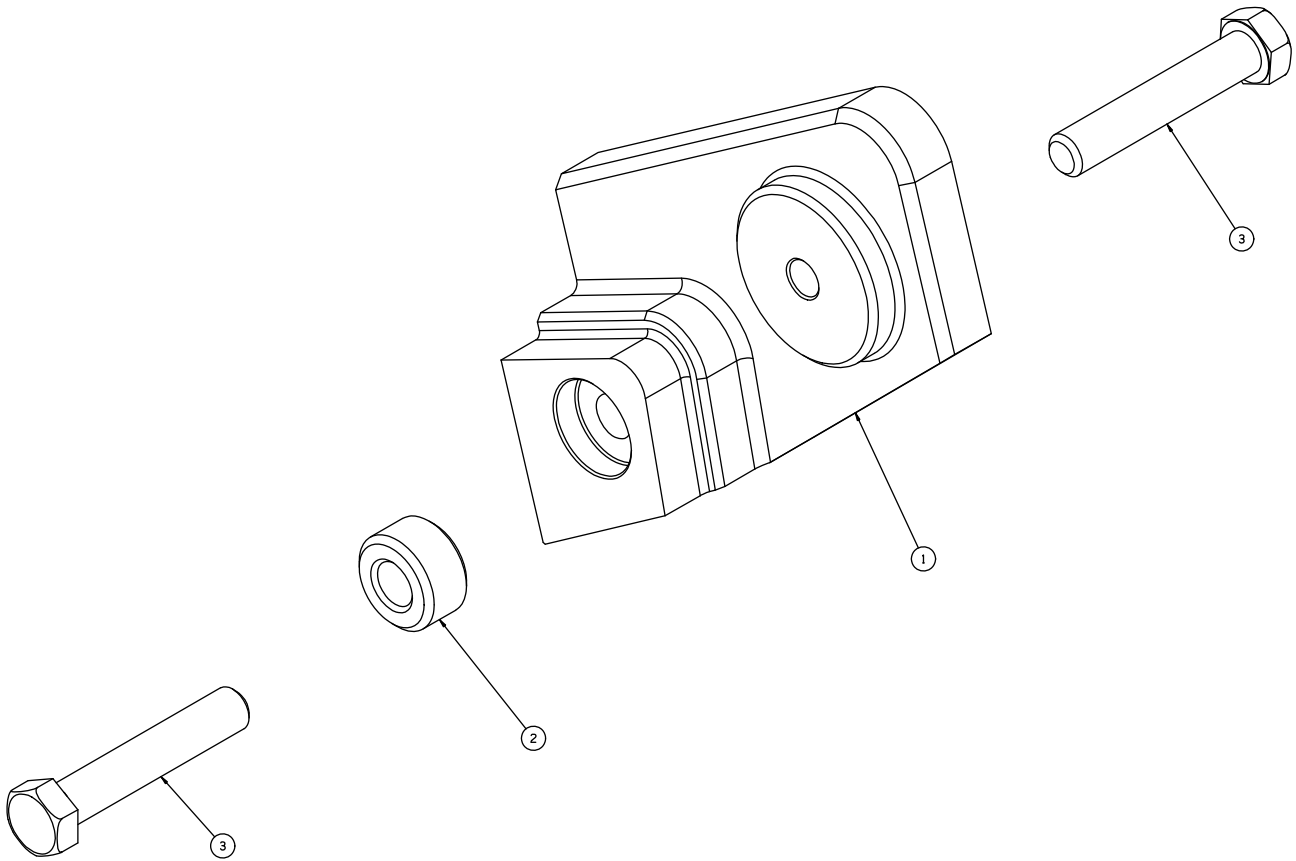
## Cutting Blade Kit - P/N 235451



MRX180 Shear Jaw Cutting Blade Kit Parts Illustration			
Item	Qty	Description	Part Number
1	1	SPACER PLATE	519667
2	1	SPACER PLATE	519668
3	1	GUIDE BLADE ADJUSTMENT PLATE	520592
4	1	CROSS BLADE	519670
5	2	PRIMARY BLADE	520593
6	2	SECONDARY BLADE	520594

MRX180 Shear Jaw Cutting Blade Kit Parts Illustration			
Item	Qty	Description	Part Number
7	1	GUIDE BLADE	520595
8	1	CROSS BLADE SHIM	519674
9	2	BLADE SHIM	519675
10	2	BLADE SHIM	519676
11	2	GUIDE BLADE SHIM	520596
12	2	DOWEL PIN	519287
13	1	BOLT KIT	520589

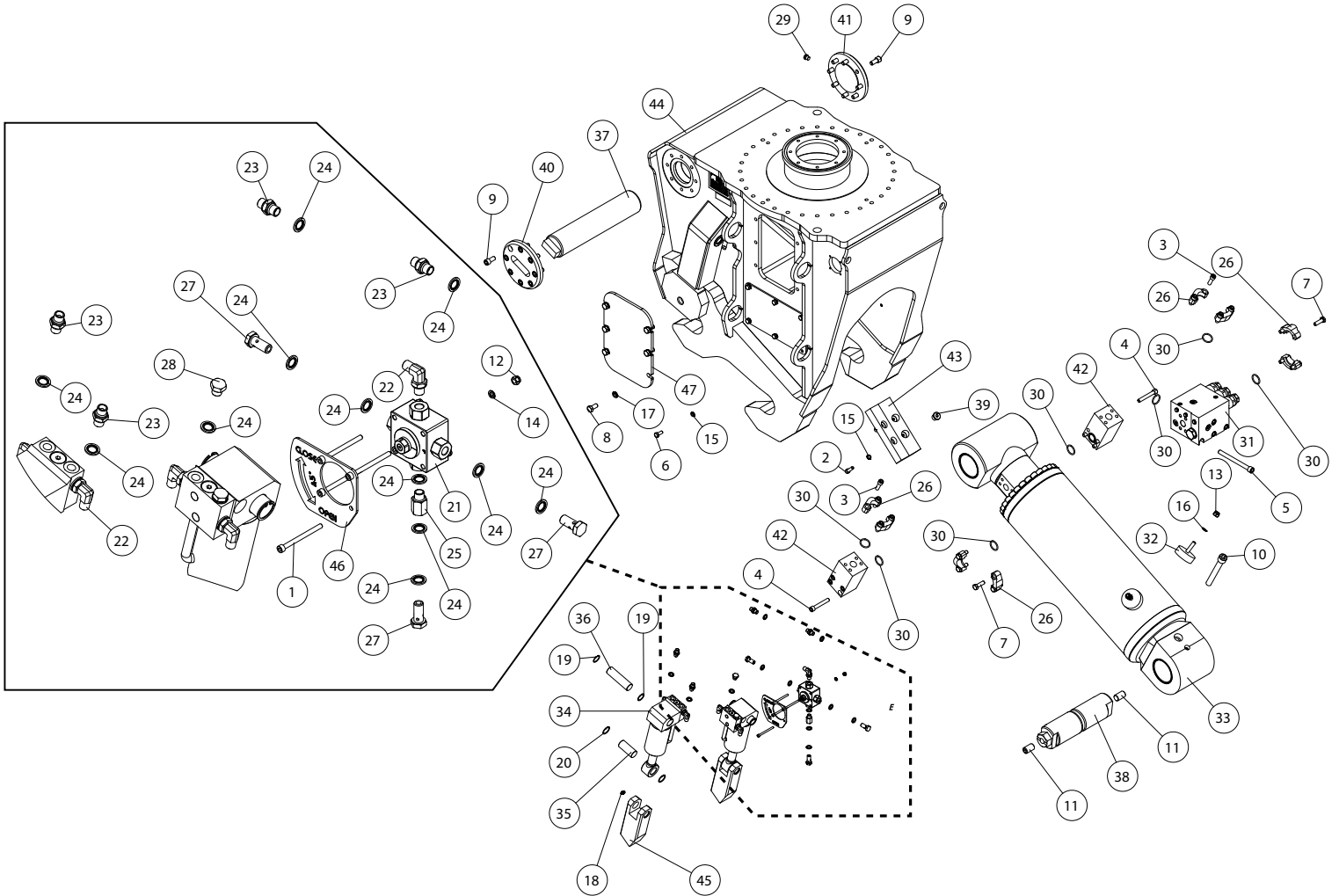
**Tip Blade Kit - P/N 235452**



MRX180 Shear Jaw Tip Blade Kit Parts Illustration			
Item	Qty	Description	Part Number
1	1	TIP BLADE	520597
2	1	DOWEL	519666
3	1	BOLT KIT	520590

# MRX220

## BODY

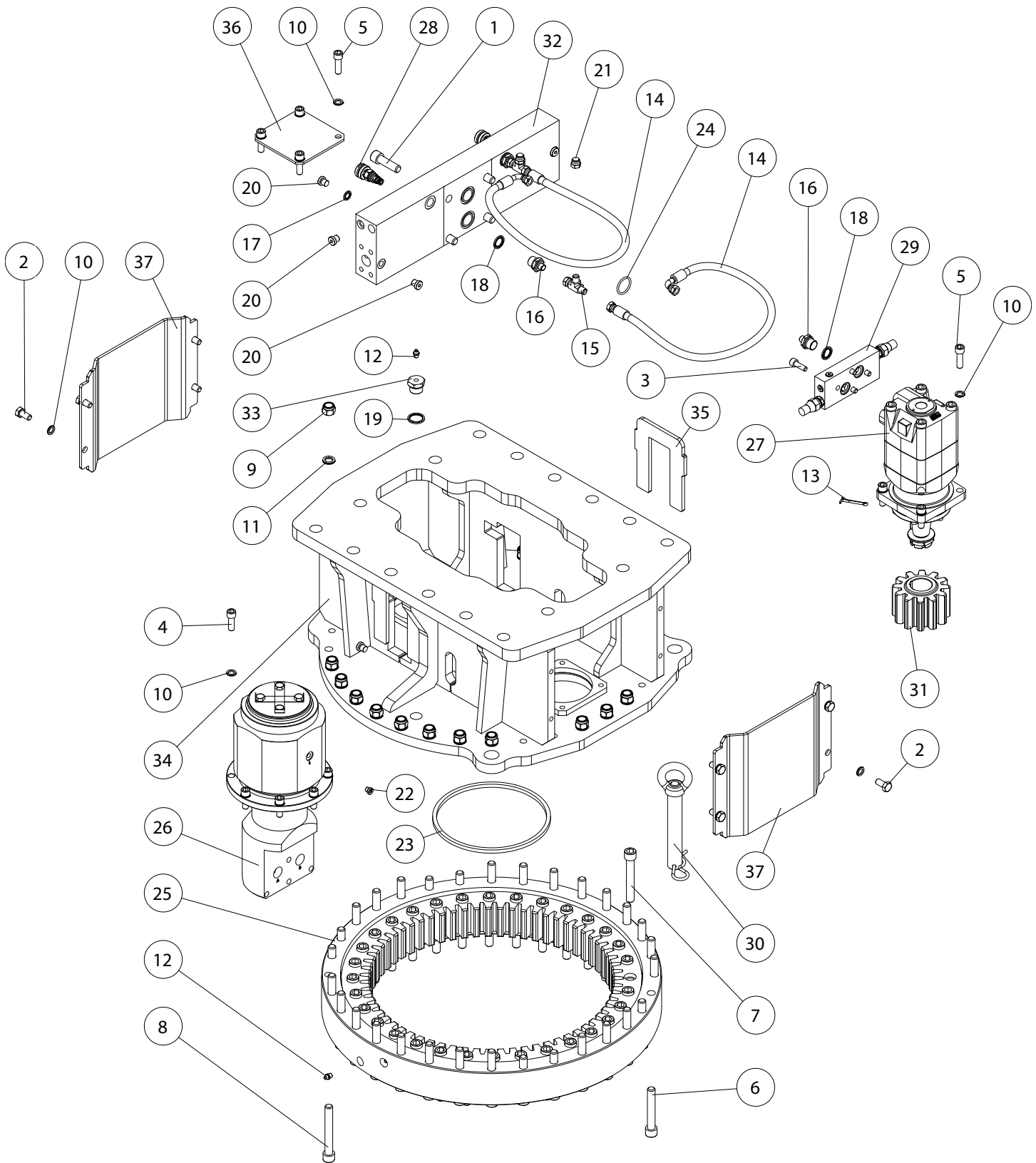


MRX220 Body Parts Illustration			
Item	Qty	Description	Part Number
1	4	SOCKET HEAD CAP SCREW	518387
2	4	SOCKET HEAD CAP SCREW	520547
3	8	SOCKET HEAD CAP SCREW	518186
4	8	SOCKET HEAD CAP SCREW	518187
5	4	SOCKET HEAD CAP SCREW	518188
6	12	SOCKET HEAD CAP SCREW	518192
7	8	SOCKET HEAD CAP SCREW	518193
8	12	SOCKET HEAD CAP SCREW	518195
9	16	SOCKET HEAD CAP SCREW	518198

## MRX220 Body Parts Illustration

Item	Qty	Description	Part Number
10	1	SOCKET HEAD CAP SCREW	520486
11	2	DOWEL	520337
12	4	HEX NUT	518350
13	2	HEX NUT	518351
14	4	WASHER	518352
15	16	WASHER	518353
16	2	WASHER	518354
17	12	WASHER	518355
18	2	GREASE FITTING	518203
19	4	C CLIP	518358
20	4	C CLIP	518388
21	1	VALVE SWITCH	518360
22	5	ADAPTER	518367
23	4	ADAPTER	518368
24	14	WASHER	518308
25	1	ADAPTER	518369
26	8	FLANGE HALF	518204
27	4	PLUG	518370
28	2	PLUG	518310
29	1	PLUG	518397
30	8	O-RING	518205
31	1	REGEN VALVE	518208
32	2	DAMPENER	518374
33	1	CYLINDER	518211
34	2	CYLINDER WEDGE ASSEMBLY	518376
35	2	MACHINED PIN	518377
36	2	MACHINED PIN	518378
37	1	MACHINED PIN	518214
38	1	MACHINED PIN	520608
39	4	BUSHING	520551
40	1	PIN	518217
41	1	PIN	518218
42	2	MACHINED MANIFOLD	518220
43	1	PLATE	520552
44	1	STICK	520610
45	2	JAW	518384
46	1	OPEN / CLOSE PLATE	518386
47	2	LOGO PLATE	518262

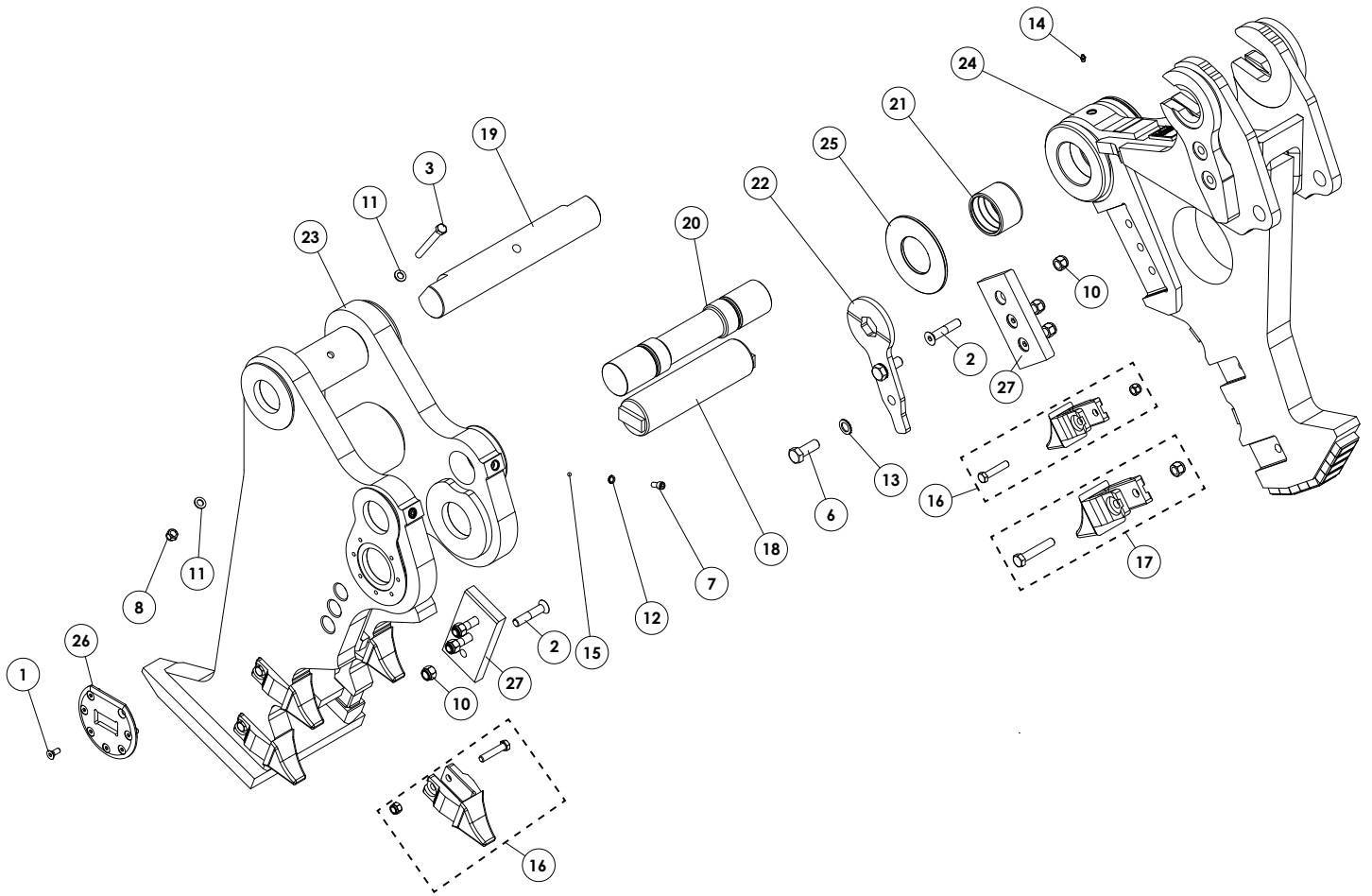
# ROTATION



## MRX220 Rotation Parts Illustration

Item	Qty	Description	Part Number
1	4	SOCKET HEAD CAP SCREW	518705
2	8	HEX HEAD CAP SCREW	518706
3	4	SOCKET HEAD CAP SCREW	518707
4	8	SOCKET HEAD CAP SCREW	518708
5	8	SOCKET HEAD CAP SCREW	518709
6	8	SOCKET HEAD CAP SCREW	518711
7	32	SOCKET HEAD CAP SCREW	518712
8	24	SOCKET HEAD CAP SCREW	518743
9	24	HEX NUT	518199
10	24	WASHER	518354
11	24	WASHER	518714
12	6	GREASE FITTING	518356
13	1	PIN	518715
14	2	HOSE	518744
15	2	ADAPTER	518745
16	4	ADAPTER	518746
17	2	WASHER	518308
18	4	WASHER	518720
19	2	WASHER	518721
20	8	PLUG	518397
21	2	PLUG	518747
22	1	PLUG	518371
23	1	GASKET	518724
24	2	O-RING	518205
25	1	TURNTABLE BEARING	518749
26	1	SWIVEL JOINT	518726
27	1	HYDRAULIC MOTOR	518727
28	2	ADAPTER	518728
29	1	RELIEF VALVE	518730
30	1	HITCH PIN	518731
31	1	PINION GEAR	518732
32	1	MANIFOLD MACHINING	518733
33	2	PLUG	518734
34	1	WELDMENT MACHINING	518750
35	2	SIDE PLATE	518737
36	1	COVER PLATE	518738
37	2	FORMED COVER PLATE	518751

# CRACKER JAW

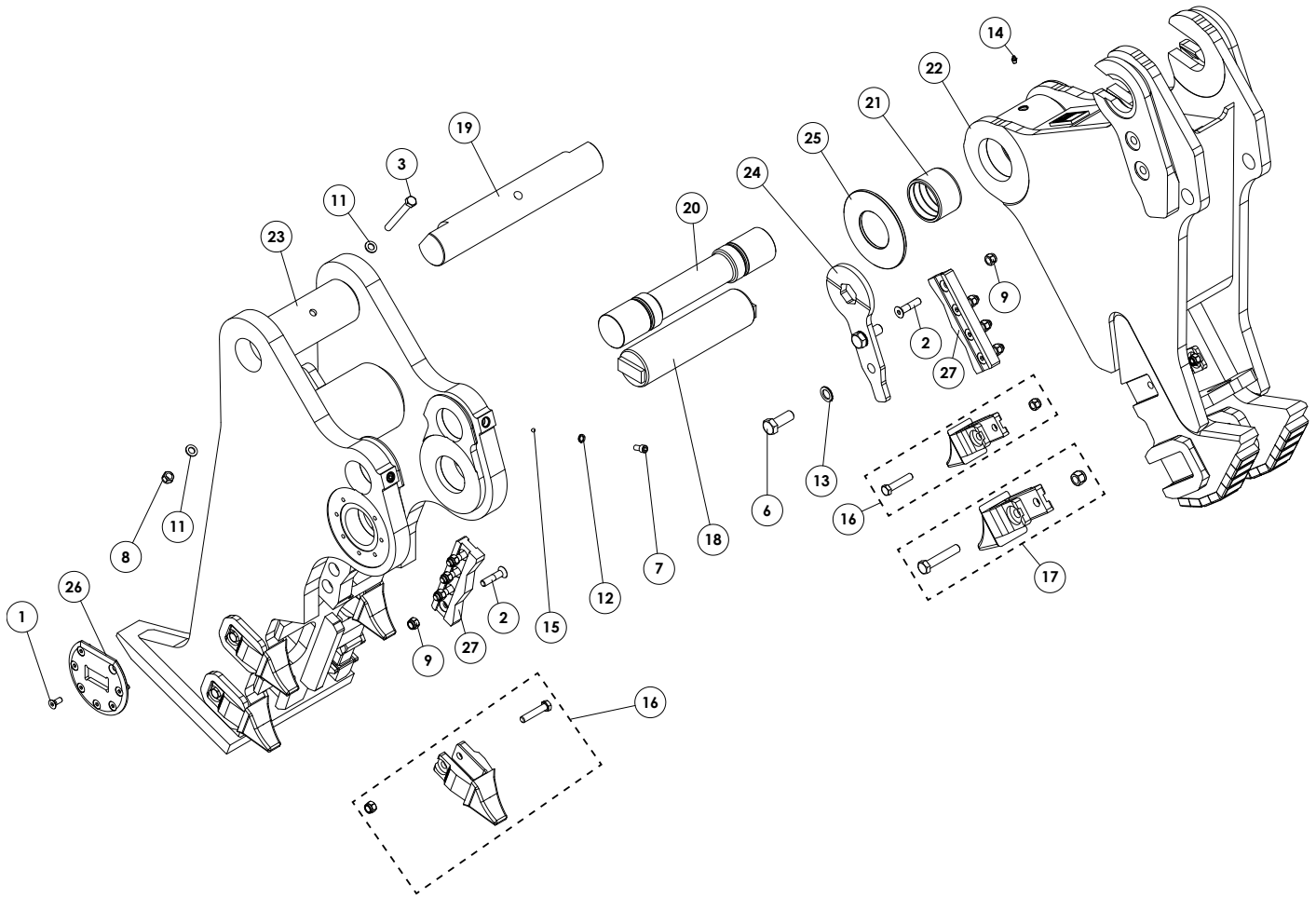


## MRX220 Cracker Jaw Parts Illustration

Item	Qty	Description	Part Number
1	14	FLAT HEAD CAP SCREW	518416
2	6	SOCKET HEAD CAP SCREW	SEE "MRX BLADE KITS" ON PAGE 112
3	1	HEX HEAD CAP SCREW	518614
4	5	SOCKET HEAD CAP SCREW	518158
5	1	HEX HEAD CAP SCREW	518159
6	2	HEX HEAD CAP SCREW	520507
7	2	SOCKET HEAD CAP SCREW	519155
8	1	HEX NUT	518419
9	5	HEX NUT	SEE "MRX BLADE KITS" ON PAGE 112
10	7	HEX NUT	SEE "MRX BLADE KITS" ON PAGE 112
11	2	WASHER	518304
12	2	WASHER	518354
13	2	WASHER	520497
14	1	GREASE FITTING	518203
15	2	BALL BEARING	520556
16	5	TEETH	518158
17	1	TEETH	518159
18	1	PIN MACHINING	518421
19	1	PIN MACHINING	518422
20	1	PIN MACHINING	520611
21	2	BEARING MACHINING	518645
22	1	LOCK PLATE	520613
23	1	LOWER WELDMENT MACHINING	520620
24	1	UPPER WELDMENT MACHINING	520621
25	2	SPACER SHIM	518429
26	2	SPACER SHIM	518430
27	2	BLADE MACHINING	SEE "MRX BLADE KITS" ON PAGE 112



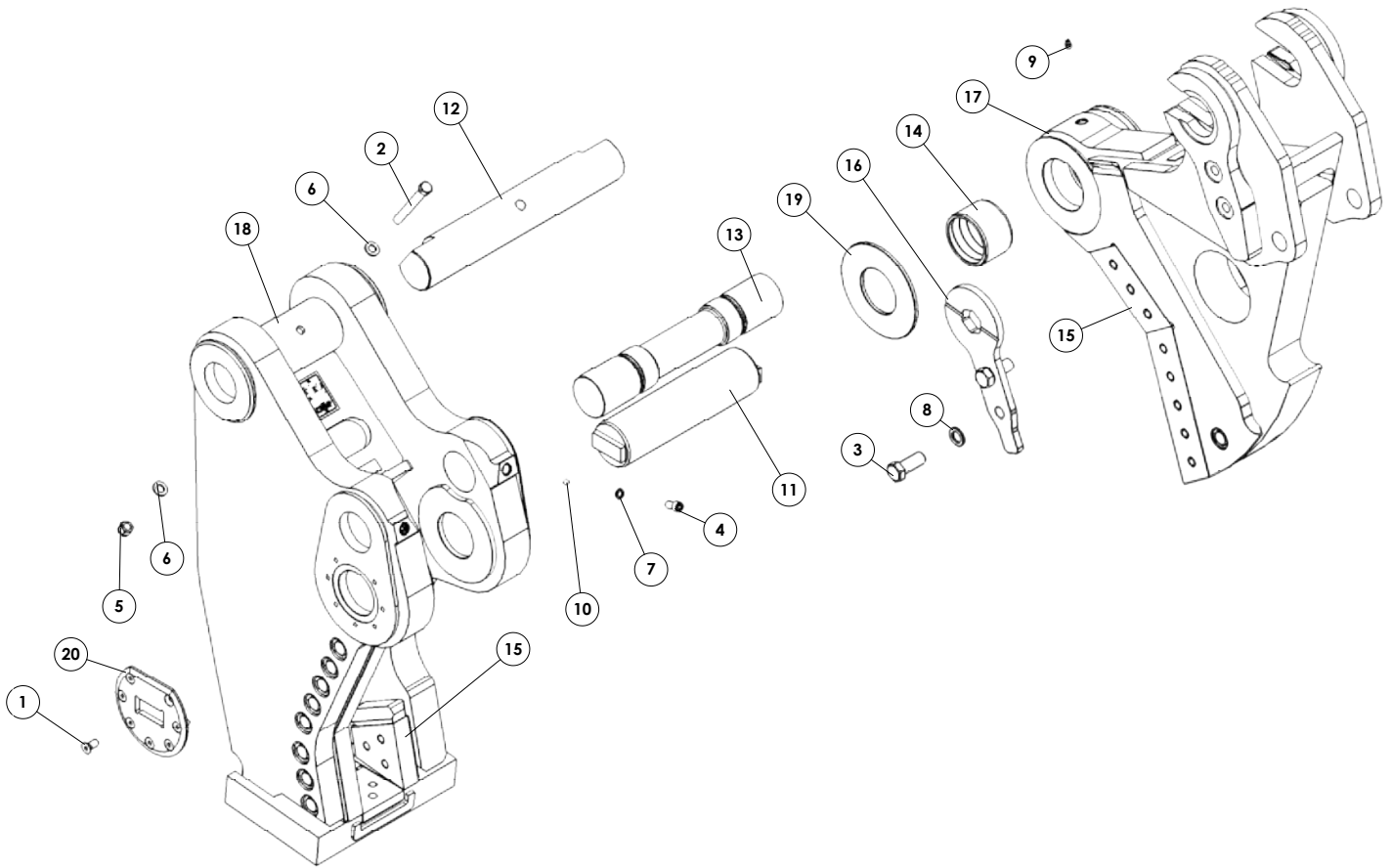
# PULVERIZER JAW



MRX220 Pulverizer Jaw Parts Illustration

Item	Qty	Description	Part Number
1	14	FLAT HEAD CAP SCREW	518416
2	8	FLAT HEAD CAP SCREW	SEE "MRX BLADE KITS" ON PAGE 112
3	1	HEX HEAD CAP SCREW	518614
4	6	SOCKET HEAD CAP SCREW	518158
5	2	HEX HEAD CAP SCREW	518159
6	2	HEX HEAD CAP SCREW	520507
7	2	SOCKET HEAD CAP SCREW	519155
8	1	HEX NUT	518419
9	14	HEX NUT	518158
10	2	HEX NUT	518159
11	2	WASHER	518304
12	2	WASHER	518354
13	2	WASHER	520497
14	1	GREASE FITTING	518203
15	2	BALL BEARING	520556
16	6	TOOTH	518158
17	2	TOOTH	518159
18	1	PIN MACHINING	518421
19	1	PIN MACHINING	518422
20	1	PIN MACHINING	520616
21	2	BEARING MACHINING	518645
22	1	UPPER WELDMENT	520617
23	1	LOWER WELDMENT	520619
24	1	LOCK PLATE	520613
25	2	SPACER SHIM	518429
26	2	SPACER SHIM	518430
27	2	BLADE	SEE "MRX BLADE KITS" ON PAGE 112

# SHEAR JAW



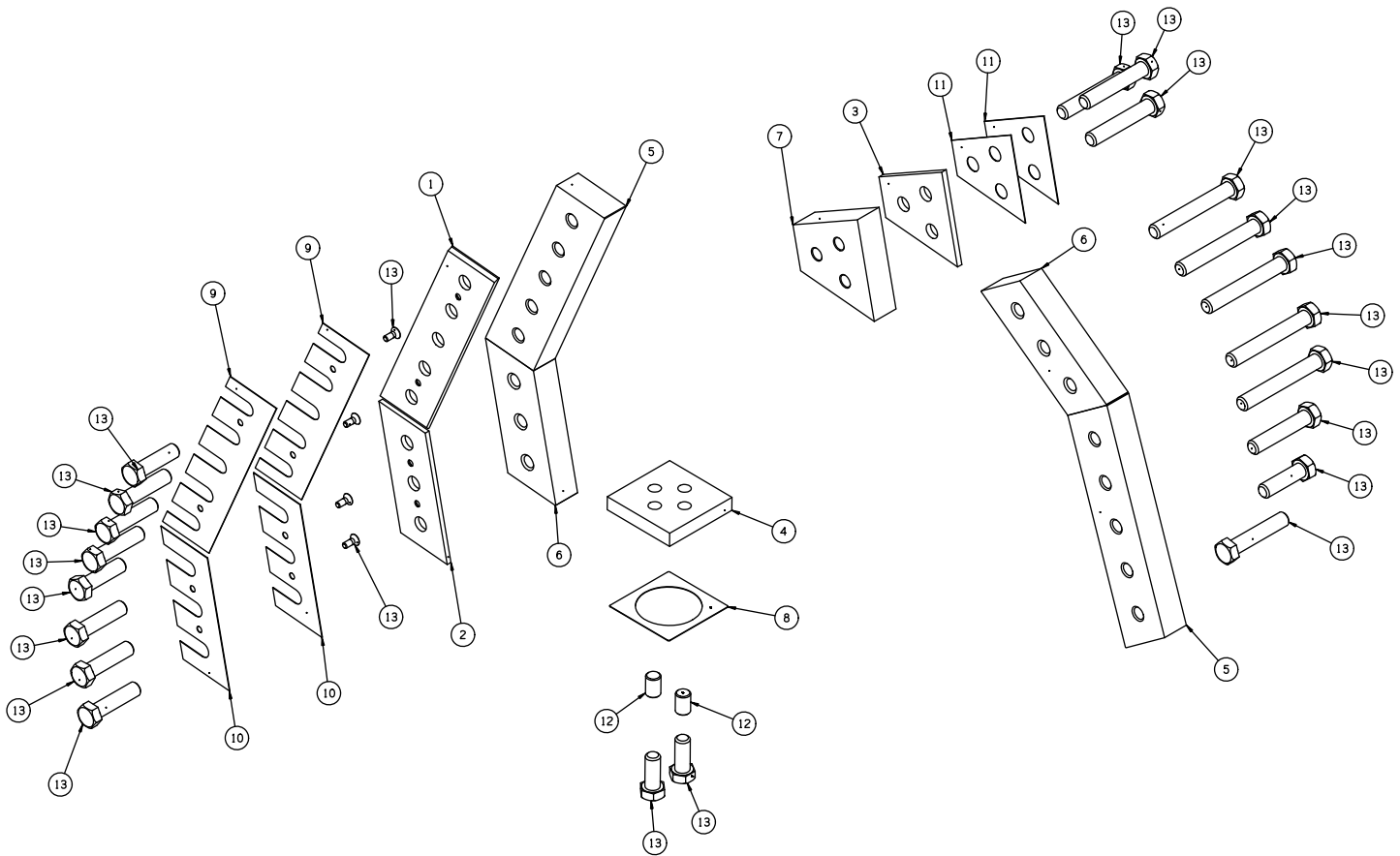
MRX220 Shear Jaw Parts Illustration			
Item	Qty	Description	Part Number
1	14	FLAT HEAD CAP SCREW	518416
2	1	HEX HEAD CAP SCREW	518614
3	2	HEX HEAD CAP SCREW	520507
4	2	SOCKET HEAD CAP SCREW	519155
5	1	HEX NUT	518419
6	2	WASHER	518304
7	2	WASHER	518354
8	2	WASHER	520497
9	1	GREASE FITTING	518203
10	2	BALL BEARING	520556

MRX220 Shear Jaw Parts Illustration			
Item	Qty	Description	Part Number
11	1	PIN MACHINING	518421
12	1	PIN MACHINING	518422
13	1	PIN MACHINING	520611
14	2	BEARING MACHINING	518645
15	1	MRX 220 BLADE KIT	520612
16	1	LOCK PLATE	520613
17	1	UPPER WELDMENT MACHINING	520614
18	1	LOWER WELDMENT MACHINING	520615
19	2	SPACER SHIM	518429
20	2	SPACER SHIM	518430

# SHEAR JAW FULL BLADE KIT

Full blade kits contain all the parts of the Cutting Blade Kit and the Tip Blade Kit. Use part number 520612 for an MRX220 Shear Jaw Full Blade Kit.

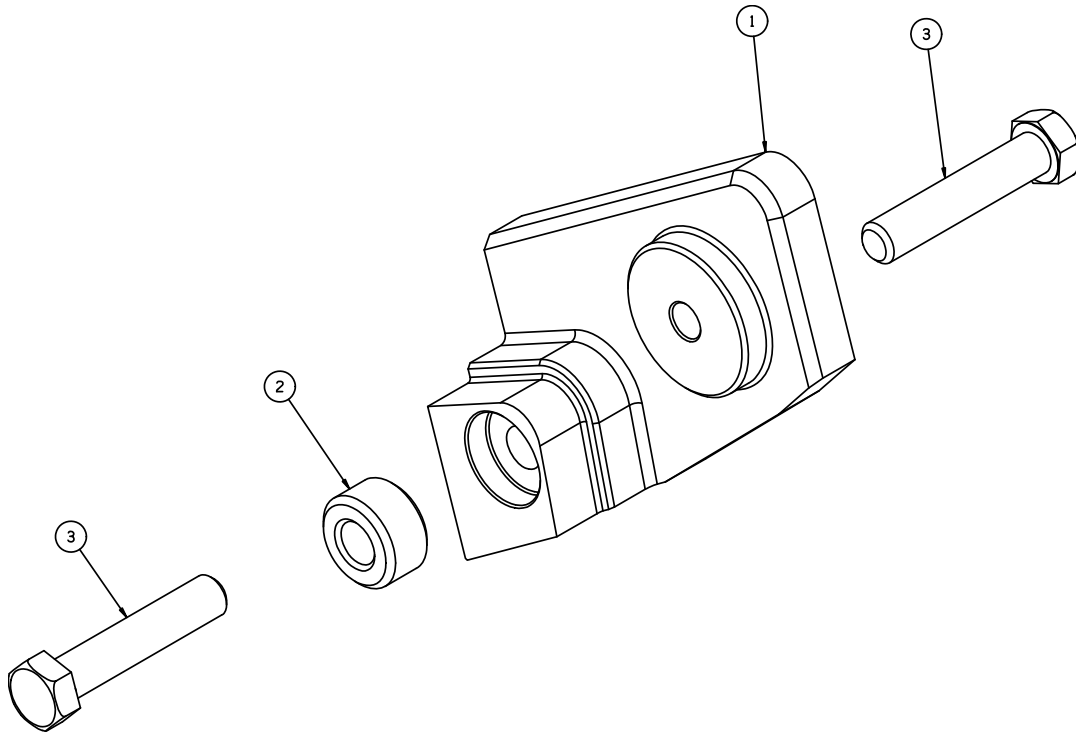
## Cutting Blade Kit - P/N 235660



MRX220 Shear Jaw Cutting Blade Kit Parts Illustration			
Item	Qty	Description	Part Number
1	1	SPACER PLATE	518673
2	1	SPACER PLATE	518676
3	1	GUIDE BLADE ADJUSTMENT PLATE	520634
4	1	CROSS BLADE	518679
5	2	PRIMARY BLADE	520635
6	2	SECONDARY BLADE	520638
7	1	GUIDE BLADE	520639
8	2	BLADE SHIM	518682
9	1	CROSS BLADE SHIM	518685
10	2	BLADE SHIM	518686

MRX220 Shear Jaw Cutting Blade Kit Parts Illustration			
Item	Qty	Description	Part Number
11	2	GUIDE BLADE SHIM	520640
12	2	DOWEL PIN	518671
13	1	BOLT KIT	520630

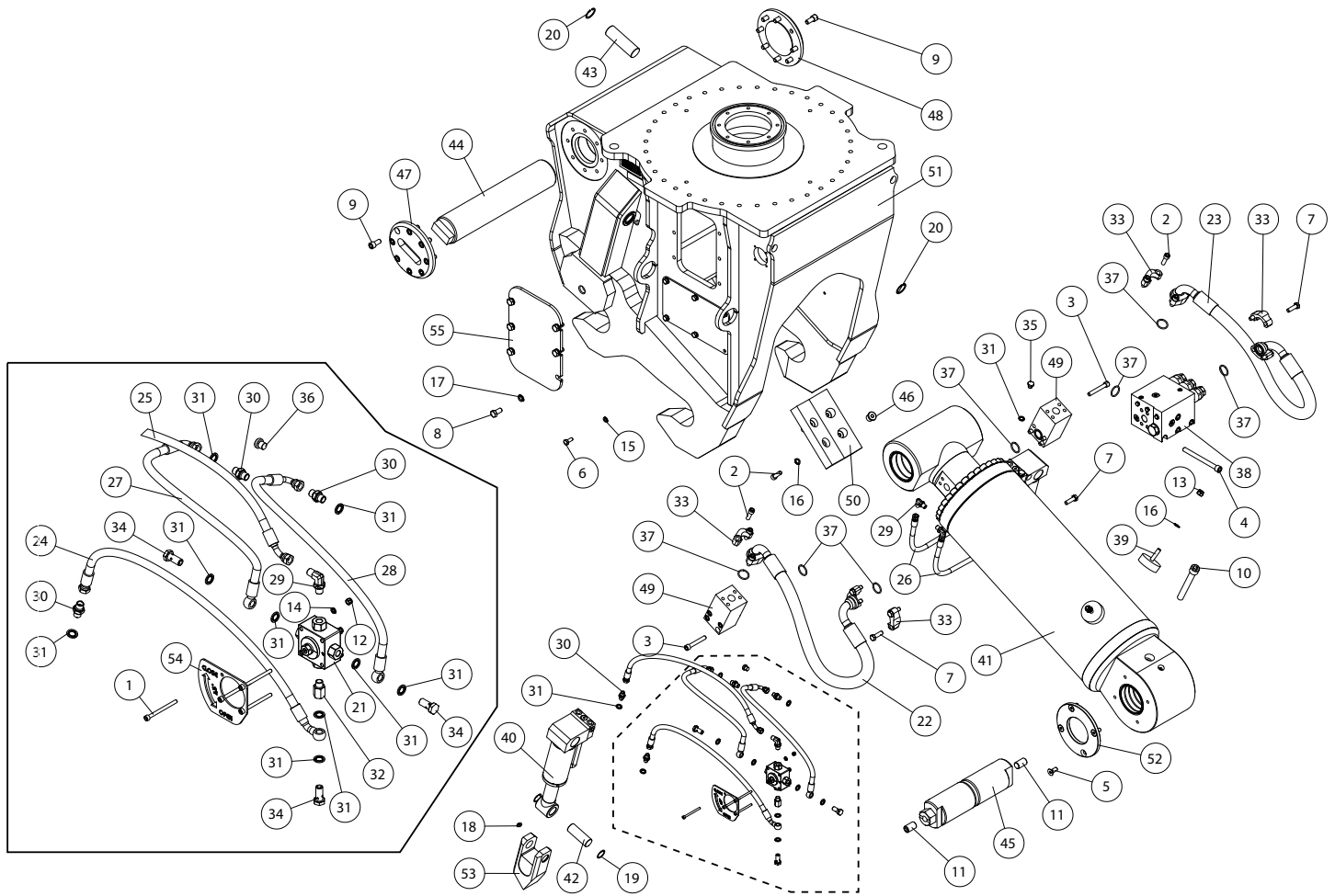
**Tip Blade Kit - P/N 235662**



MRX220 Shear Jaw Tip Blade Kit Parts Illustration			
Item	Qty	Description	Part Number
1	1	TIP BLADE	520637
2	1	DOWEL	518672
3	1	BOLT KIT	520631

# MRX260

## BODY

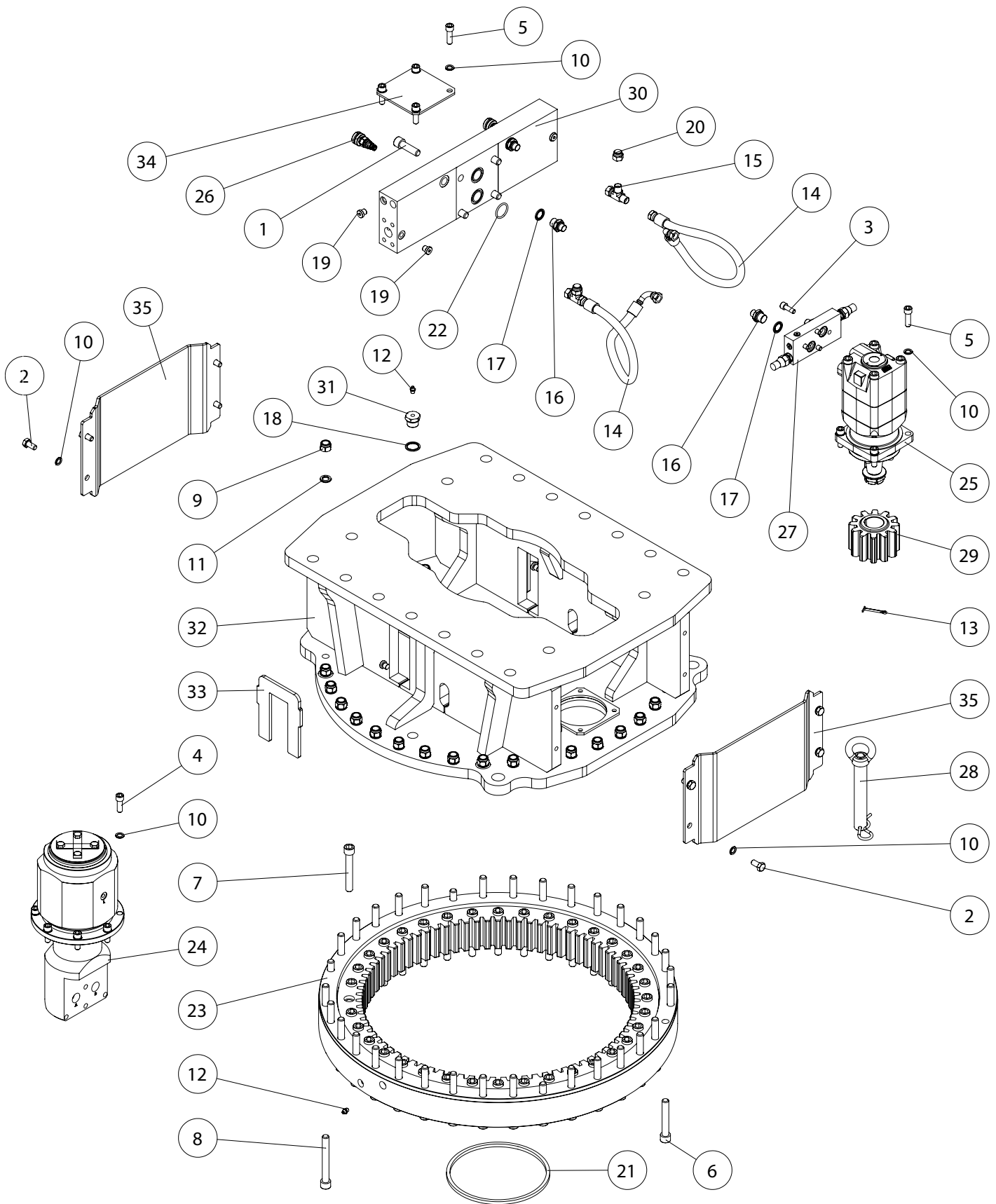


MRX260 Body Parts Illustration			
Item	Qty	Description	Part Number
1	4	SOCKET HEAD CAP SCREW	518387
2	12	SOCKET HEAD CAP SCREW	518186
3	8	SOCKET HEAD CAP SCREW	518187
4	4	SOCKET HEAD CAP SCREW	518188
5	8	FLAT HEAD CAP SCREW	518416
6	12	SOCKET HEAD CAP SCREW	518192
7	8	SOCKET HEAD CAP SCREW	518193
8	12	SOCKET HEAD CAP SCREW	518195
9	16	SOCKET HEAD CAP SCREW	518198
10	1	SOCKET HEAD CAP SCREW	520486
11	2	DOWEL	520337
12	4	HEX NUT	518350
13	2	HEX NUT	518351

## MRX260 Body Parts Illustration

Item	Qty	Description	Part Number
14	4	WASHER	518352
15	12	WASHER	518353
16	6	WASHER	518354
17	12	WASHER	518355
18	2	GREASE FITTING	518203
19	4	C CLIP	518388
20	4	C CLIP	518389
21	1	SWITCH VALVE	518360
22	1	HYDRAULIC HOSE ASSEMBLY	518245
23	1	HYDRAULIC HOSE ASSEMBLY	518246
24	1	HYDRAULIC HOSE	518391
25	1	HYDRAULIC HOSE	518394
26	2	HYDRAULIC HOSE	518395
27	1	HYDRAULIC HOSE ASSEMBLY	520487
28	1	HYDRAULIC HOSE ASSEMBLY	520488
29	5	HYDRAULIC HOSE ADAPTER	518367
30	4	HYDRAULIC HOSE ADAPTER	518368
31	13	WASHER	518308
32	1	EXTENSION ADAPTER	518369
33	8	SPLIT FLANGE HALF	518204
34	3	HYDRAULIC ADAPTER PLUG	518370
35	2	HYDRAULIC ADAPTER PLUG	518310
36	1	HYDRAULIC ADAPTER PLUG	518397
37	8	O RING SEAL	518205
38	1	REGEN VALVE	518208
39	2	DAMPENER	518374
40	2	CYLINDER WEDGE ASSEMBLY	518399
41	1	CYLINDER ASSEMBLY	518248
42	2	PIN MACHINING	518400
43	2	PIN MACHINING	518401
44	1	PIN MACHINING	518213
45	1	PIN MACHINING	520489
46	4	BEARING	520490
47	1	PIN RETAINER	518216
48	1	PIN RETAINER	518219
49	2	MANIFOLD MACHINING	518220
50	1	PLATE	520491
51	1	STICK	520493
52	2	SPACER SHIM	520494
53	2	BLADE	518405
54	1	OPEN/CLOSE PLATE	518386
55	2	LOGO PLATE	518262

# ROTATION

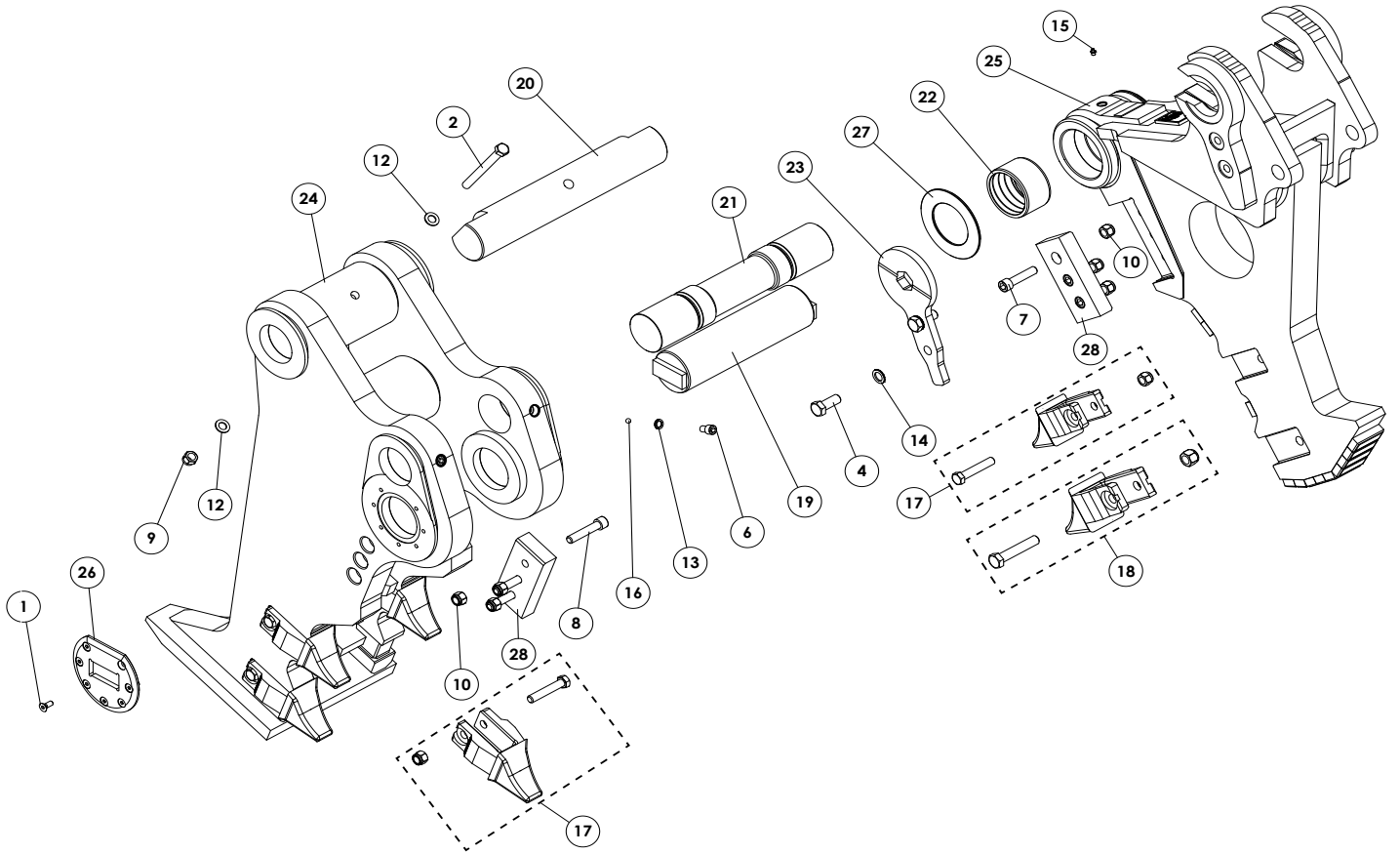




## MRX260 Rotation Parts Illustration

Item	Qty	Description	Part Number
1	4	SOCKET HEAD CAP SCREW	518705
2	8	HEX HEAD CAP SCREW	518706
3	4	SOCKET HEAD CAP SCREW	518707
4	8	SOCKET HEAD CAP SCREW	518708
5	8	SOCKET HEAD CAP SCREW	518709
6	4	SOCKET HEAD CAP SCREW	518711
7	36	SOCKET HEAD CAP SCREW	518712
8	32	SOCKET HEAD CAP SCREW	518713
9	32	HEX NUT W/NYLOCK	518199
10	24	FLAT WASHER	518354
11	32	FLAT WASHER	518714
12	6	GREASE FITTING	518203
13	1	COTTER (SPLIT) PIN	518715
14	2	HOSE ASSEMBLY	518716
15	2	HOSE ADAPTOR	518717
16	4	HOSE ADAPTOR	518718
17	4	FLAT WASHER	518720
18	2	FLAT WASHER	518721
19	7	HYDRAULIC ADAPTOR PLUG	518397
20	2	HYDRAULIC ADAPTOR PLUG	518722
21	1	8X8 MM GASKET	518724
22	2	O RING SEAL	518205
23	1	TURN TABLE BEARING	518725
24	1	HYDRAULIC DISTRIBUTOR	518726
25	1	HYDRAULIC MOTOR	518727
26	2	HYDRAULIC ADAPTOR	518728
27	1	MANIFOLD MACHINING	518730
28	1	HITCH PIN	518731
29	1	PINION GEAR	518732
30	1	MANIFOLD MACHINING	518733
31	2	HYDRAULIC ADAPTOR PLUG	518734
32	1	UPPER HEAD WELDMENT MACHINING	518736
33	2	SIDE PLATE	518737
34	1	COVER PLATE	518738
35	2	FORMED COVER PLATE	518740

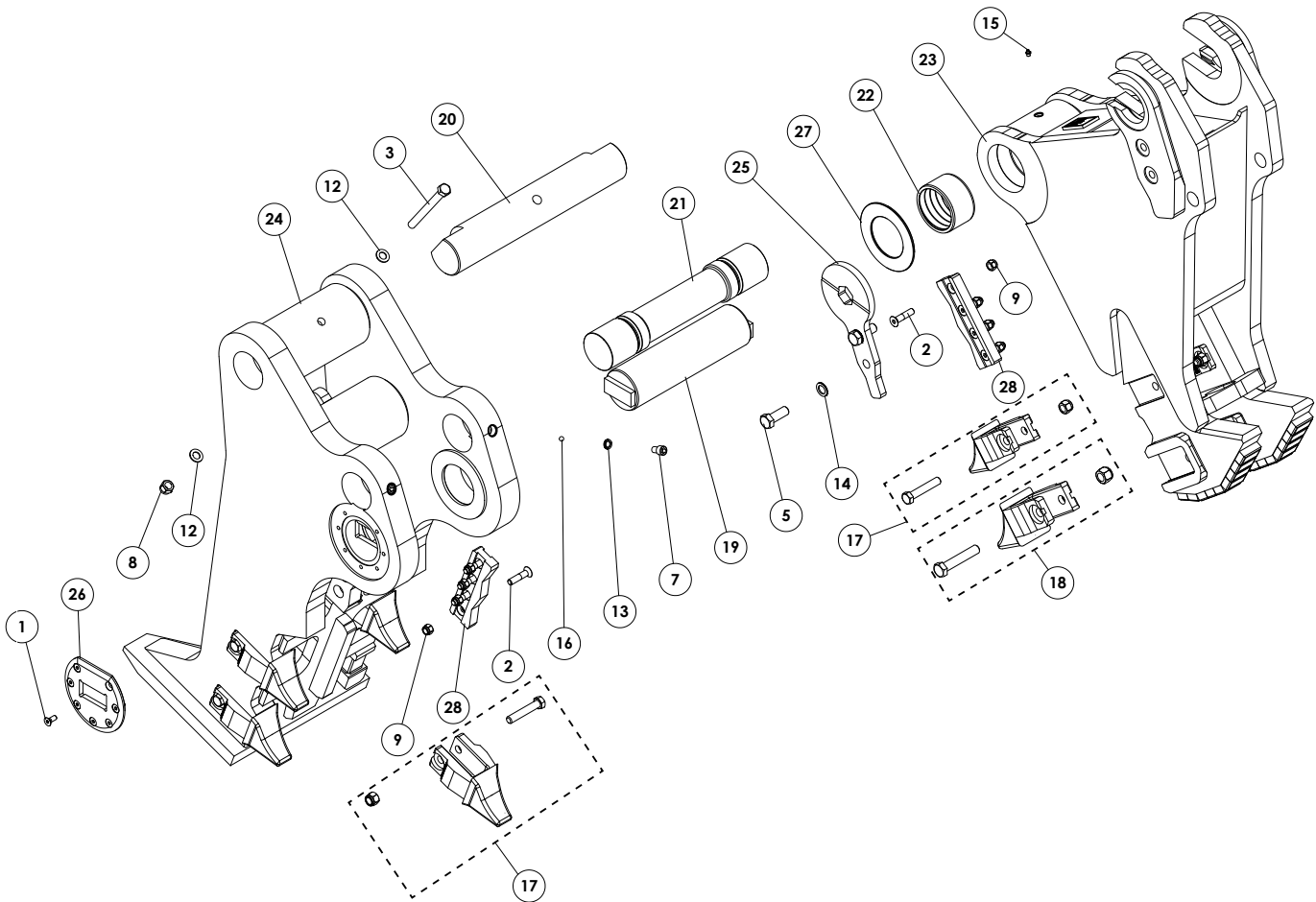
# CRACKER JAW



MRX260 Cracker Jaw Parts Illustration

Item	Qty	Description	Part Number
1	14	FLAT HEAD CAP SCREW	518416
2	1	HEX HEAD CAP SCREW	518432
3	5	HEX HEAD CAP SCREW	518197
4	2	HEX HEAD CAP SCREW	520495
5	1	HEX HEAD CAP SCREW	518240
6	2	SOCKET HEAD CAP SCREW	520496
7	3	SOCKET HEAD CAP SCREW	SEE "MRX BLADE KITS" ON PAGE 112
8	3	SOCKET HEAD CAP SCREW	SEE "MRX BLADE KITS" ON PAGE 112
9	1	HEX NUT	518435
10	11	HEX NUT	SEE "MRX BLADE KITS" ON PAGE 112
11	1	HEX NUT	518243
12	2	WASHER	518436
13	2	WASHER	518714
14	2	WASHER	520497
15	1	GREASE FITTING	518203
16	2	BALL BEARING	520498
17	5	CUTTING EDGE KIT	518159
18	1	CUTTING EDGE KIT	518160
19	1	PIN MACHINING	518594
20	1	PIN MACHINING	518595
21	1	PIN MACHINING	520499
22	2	BEARING	518251
23	1	LOCK PLATE	520503
24	1	UPPER WELDMENT	520514
25	1	LOWER WELDMENT	520515
26	2	SPACER SHIM	518602
27	2	SPACER SHIM	520512
28	2	BLADE	SEE "MRX BLADE KITS" ON PAGE 112

# PULVERIZER JAW

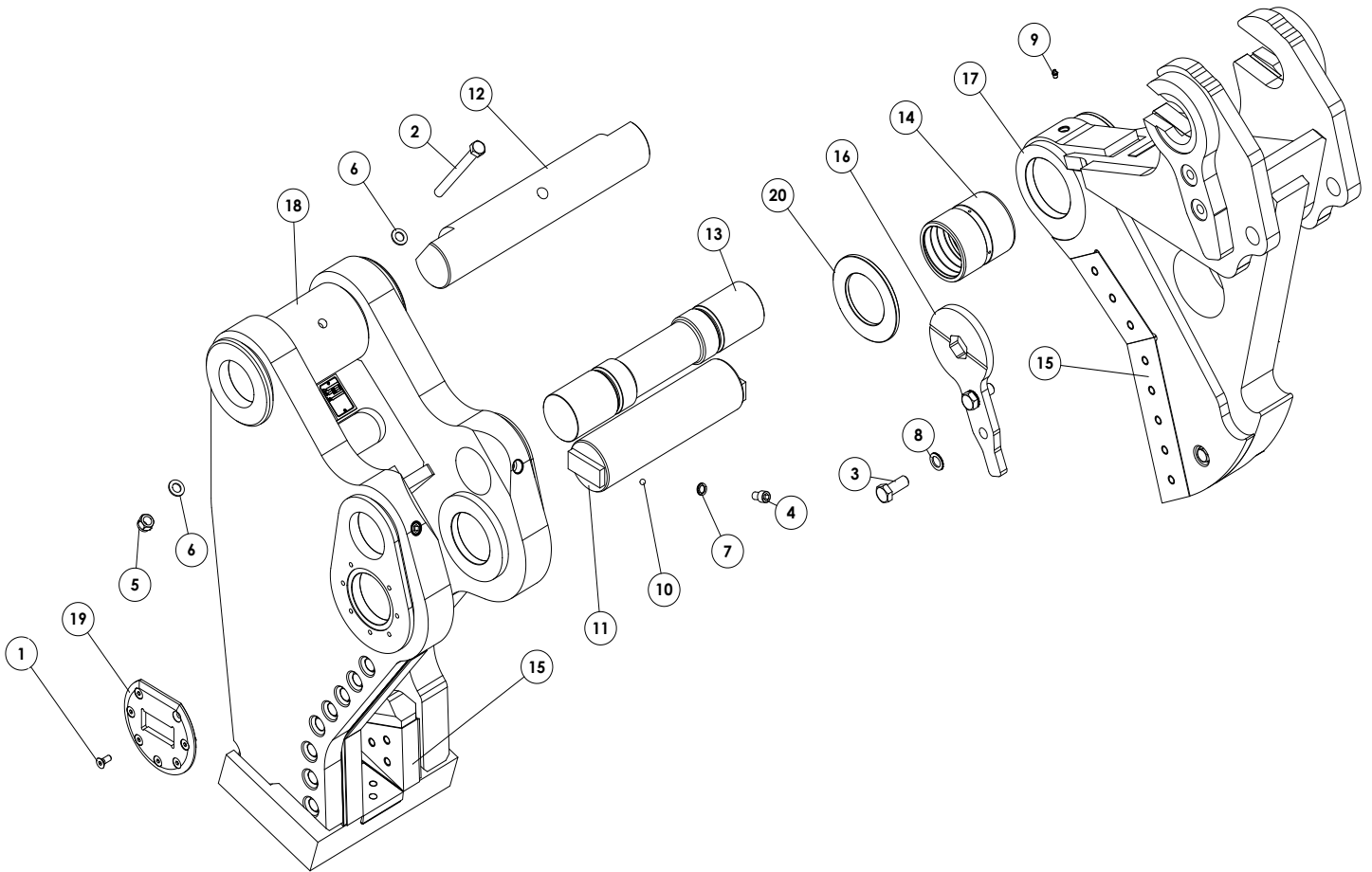


MRX260 Pulverizer Jaw Parts Illustration			
Item	Qty	Description	Part Number
1	14	FLAT HEAD CAP SCREW	518416
2	8	FLAT HEAD CAP SCREW	SEE "MRX BLADE KITS" ON PAGE 112
3	1	HEX HEAD CAP SCREW	518432
4	6	HEX HEAD CAP SCREW	518197
5	2	HEX HEAD CAP SCREW	520507
6	2	HEX HEAD CAP SCREW	518240
7	2	SOCKET HEAD CAP SCREW	520496
8	1	HEX NUT	518435
9	8	HEX NUT	SEE "MRX BLADE KITS" ON PAGE 112
10	6	HEX NUT	518200

MRX260 Pulverizer Jaw Parts Illustration

Item	Qty	Description	Part Number
11	2	HEX NUT	518243
12	2	WASHER	518436
13	2	WASHER	518714
14	2	WASHER	520497
15	1	GREASE FITTING	518203
16	2	BALL BEARING	520498
17	6	CUTTING EDGE KIT	518159
18	2	CUTTING EDGE KIT	518160
19	1	PIN MACHINING	518594
20	1	PIN MACHINING	518595
21	1	PIN MACHINING	520508
22	2	BEARING	518251
23	1	UPPER WELDMENT	520509
24	1	LOWER WELDMENT	520511
25	1	LOCK PLATE	520503
26	2	SPACER SHIM	518602
27	2	SPACER SHIM	520512
28	2	BLADE	SEE "MRX BLADE KITS" ON PAGE 112

# SHEAR JAW



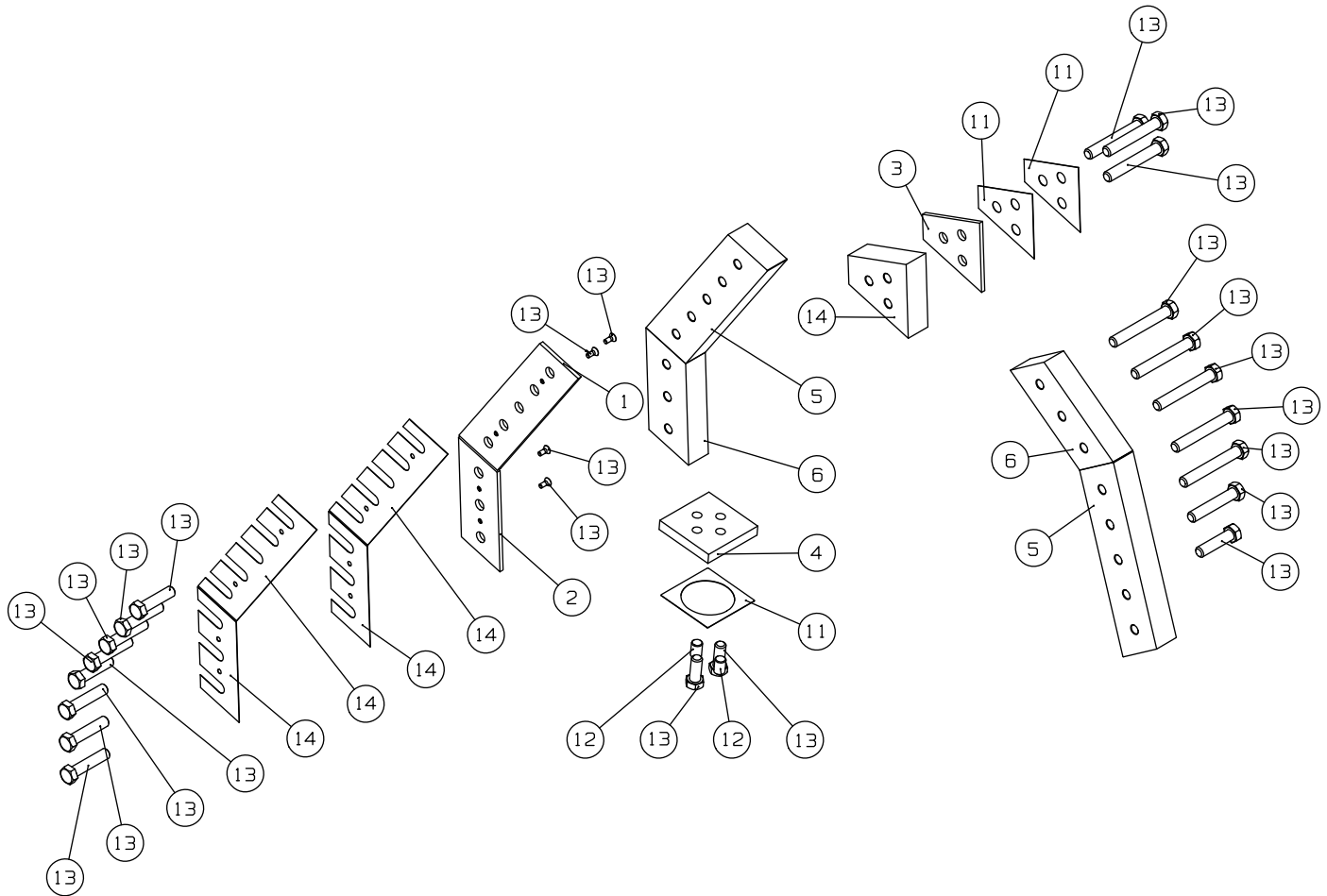
MRX260 Shear Jaw Parts Illustration			
Item	Qty	Description	Part Number
1	14	FLAT HEAD CAP SCREW	518416
2	1	HEX HEAD CAP SCREW	518432
3	2	HEX HEAD CAP SCREW	520495
4	2	SOCKET HEAD CAP SCREW	520496
5	1	HEX NUT	518435
6	2	WASHER	518436
7	2	WASHER	518714
8	2	WASHER	520497
9	1	GREASE FITTING	518203
10	2	BALL BEARING	520498

MRX260 Shear Jaw Parts Illustration			
Item	Qty	Description	Part Number
11	1	PIN	518594
12	1	PIN	518595
13	1	PIN	520499
14	1	BEARING	520500
15	1	BLADE KIT	520502
16	1	LOCK PLATE	520503
17	1	MRX260 UPPER WELDMENT	520504
18	1	MRX260 LOWER WELDMENT	520505
19	2	SPACER SHIM	518602
20	2	SPACER SHIM	520506

# SHEAR JAW FULL BLADE KIT

Full blade kits contain all the parts of the Cutting Blade Kit and the Tip Blade Kit. Use part number 520502 for a MRX260 Shear Jaw Full Blade Kit.

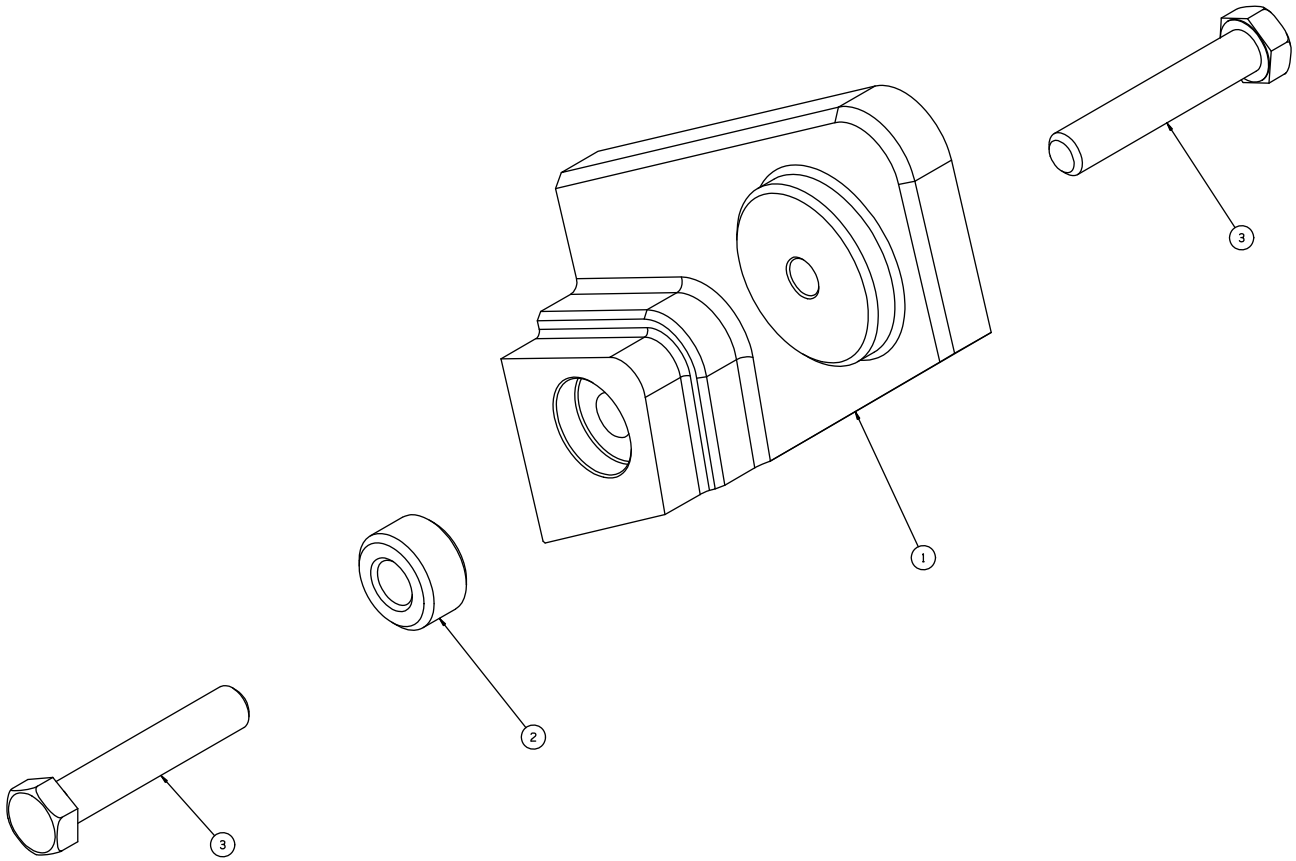
## Cutting Blade Kit - P/N 235437



MRX260 Shear Jaw Cutting Blade Kit Parts Illustration			
Item	Qty	Description	Part Number
1	1	PRIMARY ADJUSTMENT PLATE	518690
2	1	SECONDARY ADJUSTMENT PLATE	520518
3	1	GUIDE BLADE ADJUSTMENT PLATE	520520
4	1	CROSS BLADE	518694
5	2	PRIMARY BLADE	520521

MRX260 Shear Jaw Cutting Blade Kit Parts Illustration			
Item	Qty	Description	Part Number
6	2	SECONDARY BLADE	520522
7	1	GUIDE BLADE	520523
8	1	CROSS BLADE SHIM	518699
9	2	BLADE SHIM	518702
10	2	BLADE SHIM	518703
11	2	GUIDE BLADE SHIM	520524
12	2	DOWEL	520527
13	1	BOLT KIT	520531

**Tip Blade Kit - P/N 235438**

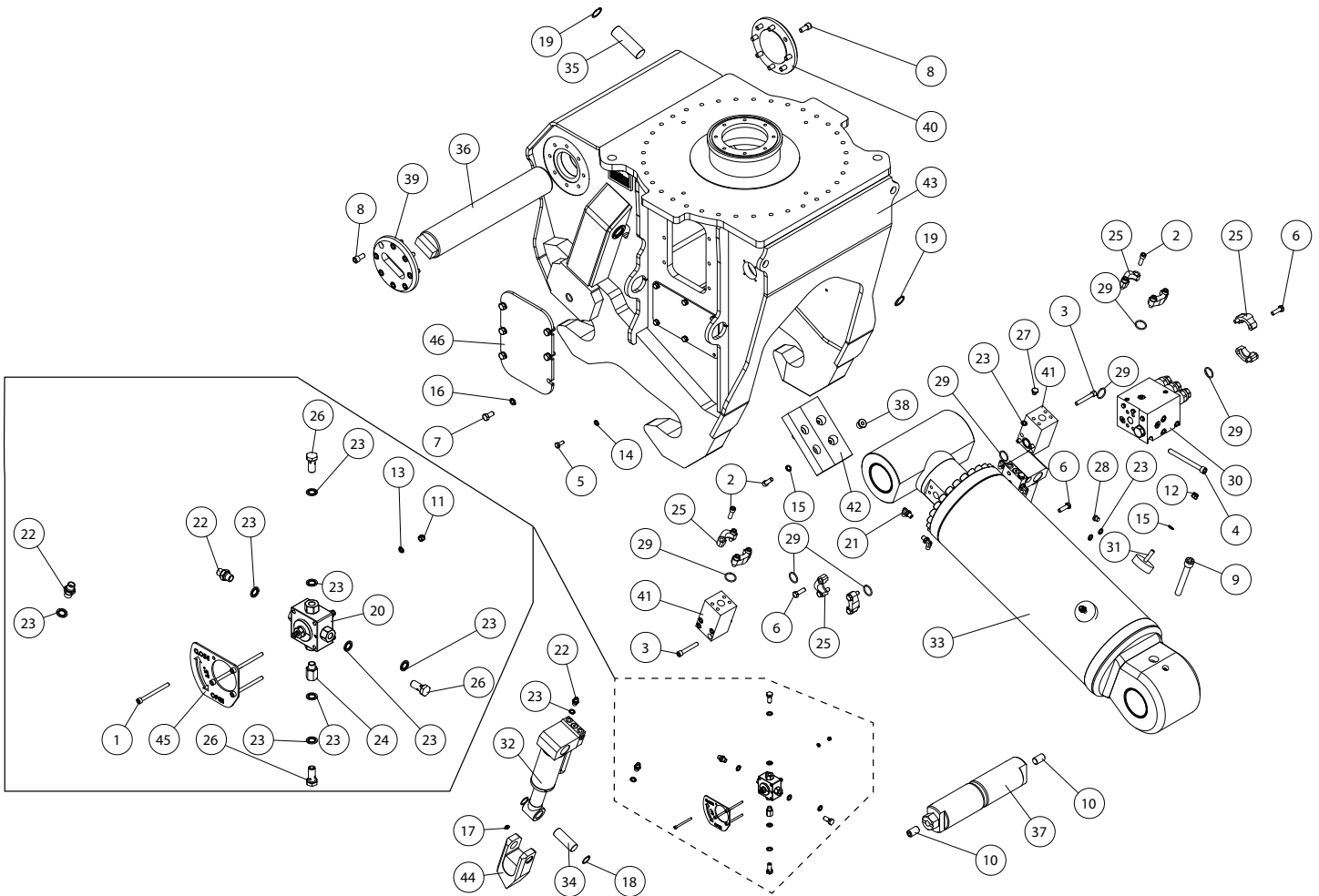


MRX260 Shear Jaw Tip Blade Kit Parts Illustration			
Item	Qty	Description	Part Number
1	1	TIP BLADE	520525
2	1	DOWEL	518672
3	1	BOLT KIT	520532



# MRX360

## BODY

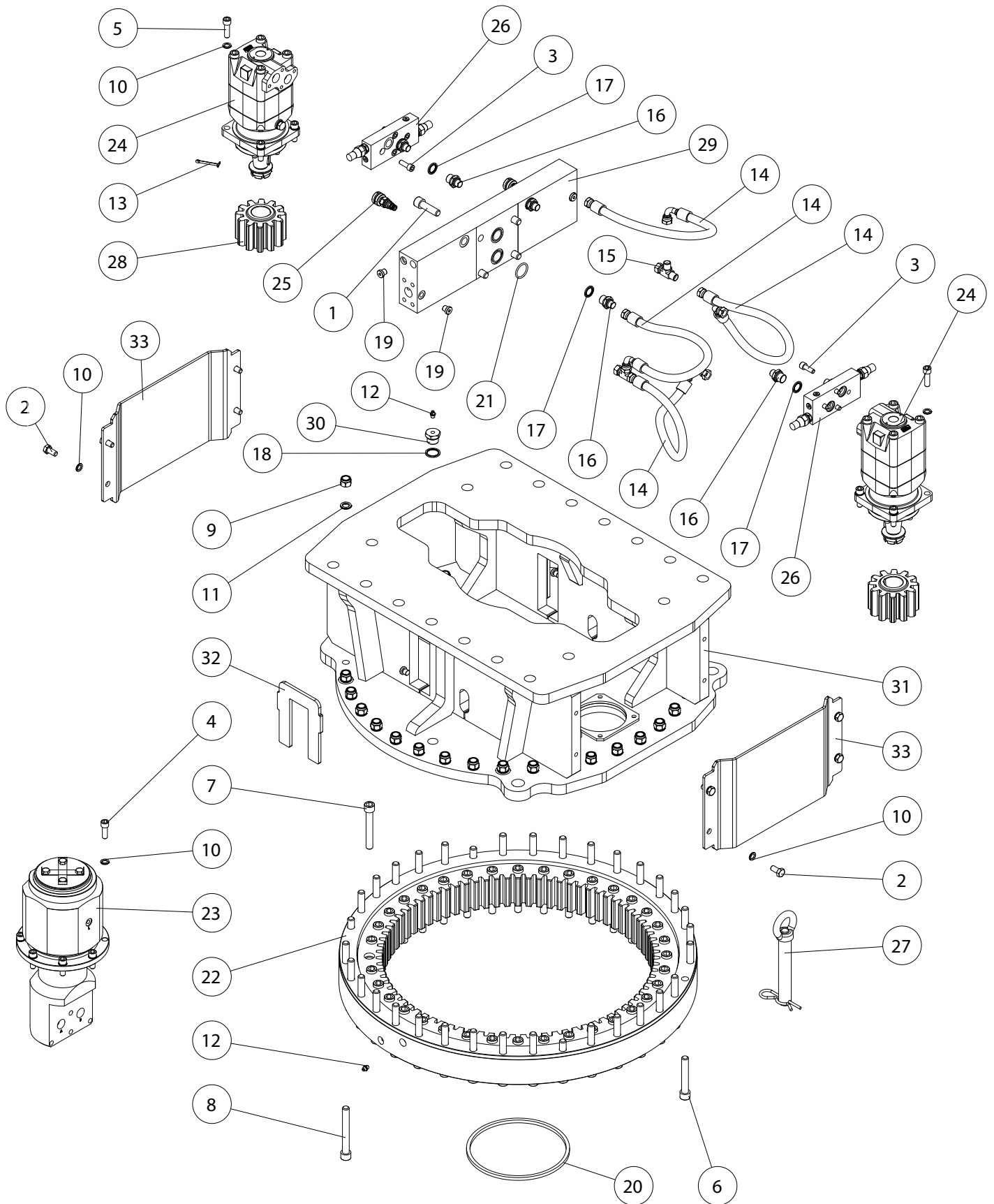


MRX360 Body Parts Illustration			
Item	Qty	Description	Part Number
1	4	SOCKET HEAD CAP SCREW	518387
2	12	SOCKET HEAD CAP SCREW	518186
3	8	SOCKET HEAD CAP SCREW	518187
4	4	SOCKET HEAD CAP SCREW	518188
5	12	SOCKET HEAD CAP SCREW	518192
6	8	SOCKET HEAD CAP SCREW	518193
7	12	SOCKET HEAD CAP SCREW	518195
8	16	SOCKET HEAD CAP SCREW	518198
9	1	SOCKET HEAD CAP SCREW	520486
10	2	DOWEL	520337
11	4	HEX NUT	518350
12	2	HEX NUT	518351
13	4	WASHER	518352
14	12	WASHER	518353

MRX360 Body Parts Illustration

Item	Qty	Description	Part Number
15	6	WASHER	518354
16	12	WASHER	518355
17	2	GREASE FITTING	518203
19	4	C CLIP	518388
20	1	VALVE SWITCH	518360
21	4	ADAPTER	518367
22	3	ADAPTER	518368
23	15	WASHER	518308
24	1	ADAPTER	518369
25	8	FLANGE HALF	518204
26	4	PLUG	518370
27	2	PLUG	518310
28	1	PLUG	518397
29	8	O-RING	518205
30	1	REGEN VALVE	518208
31	2	DAMPENER	518374
32	2	CYLINDER WEDGE ASSEMBLY	518399
33	1	CYLINDER ASSEMBLY	520647
34	2	PIN MACHINING	518400
35	2	PIN MACHINING	518401
36	1	PIN MACHINING	518269
37	1	PIN MACHINING	520648
38	4	BEARING	520490
39	1	PIN	518216
40	1	PIN	518219
41	2	MANIFOLD MACHINING	518220
42	1	PLATE	520491
43	1	MRX360 STICK	520649
44	2	CUTTING EDGE	518405
45	1	OPEN / CLOSE PLATE	518386
46	2	LOGO PLATE	518262
47	2	COVER PLATE	518226

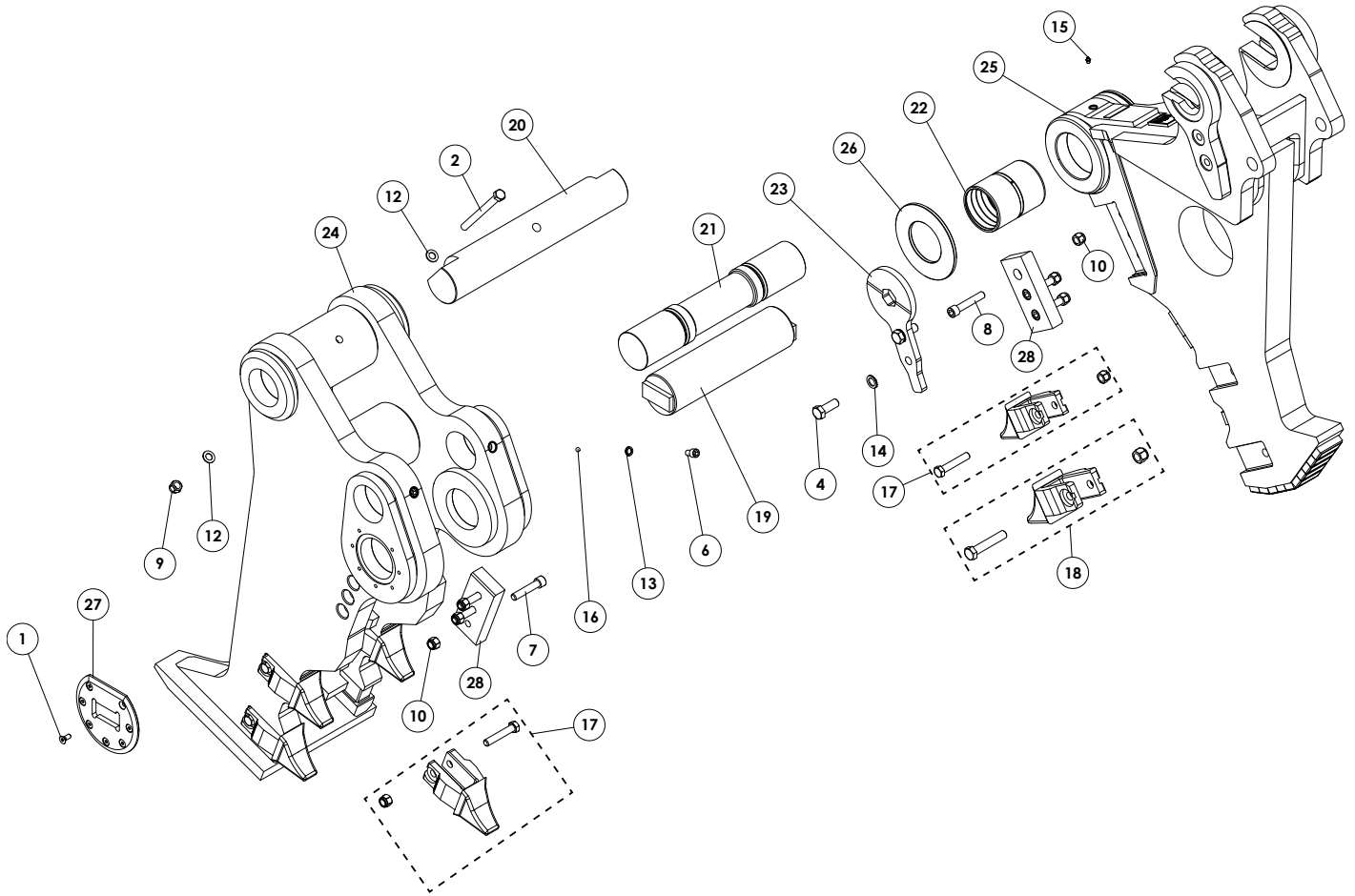
# ROTATION



## MRX360 Rotation Parts Illustration

Item	Qty	Description	Part Number
1	4	SOCKET HEAD CAP SCREW	518705
2	8	HEX HEAD CAP SCREW	518706
3	8	SOCKET HEAD CAP SCREW	518707
4	8	SOCKET HEAD CAP SCREW	518708
5	8	SOCKET HEAD CAP SCREW	518709
6	4	SOCKET HEAD CAP SCREW	518711
7	36	SOCKET HEAD CAP SCREW	518712
8	32	SOCKET HEAD CAP SCREW	518713
9	32	HEX NUT	518199
10	24	WASHER	518354
11	32	WASHER	518714
12	6	GREASE FITTING	518203
13	2	COTTER PIN	518715
14	4	HOSE ASSEMBLY	518716
15	2	ADAPTER	518717
16	6	ADAPTER	518718
17	6	WASHER	518720
18	2	WASHER	518721
19	7	PLUG	518397
20	1	GASKET	518724
21	2	O-RING	518205
22	1	TURNTABLE BEARING	518725
23	1	SWIVEL	518726
24	2	HYDRAULIC MOTOR	518727
25	2	FLOW CONTROL VALVE	518728
26	2	RELIEF VALVE	518730
27	1	HITCH PIN	518731
28	2	PINION GEAR	518732
29	1	MANIFOLD MACHINING	518733
30	2	PLUG	518734
31	1	UPPER HEAD WELDMENT	518736
32	2	SIDE PLATE	518737
33	2	FORMED COVER PLATE	518740

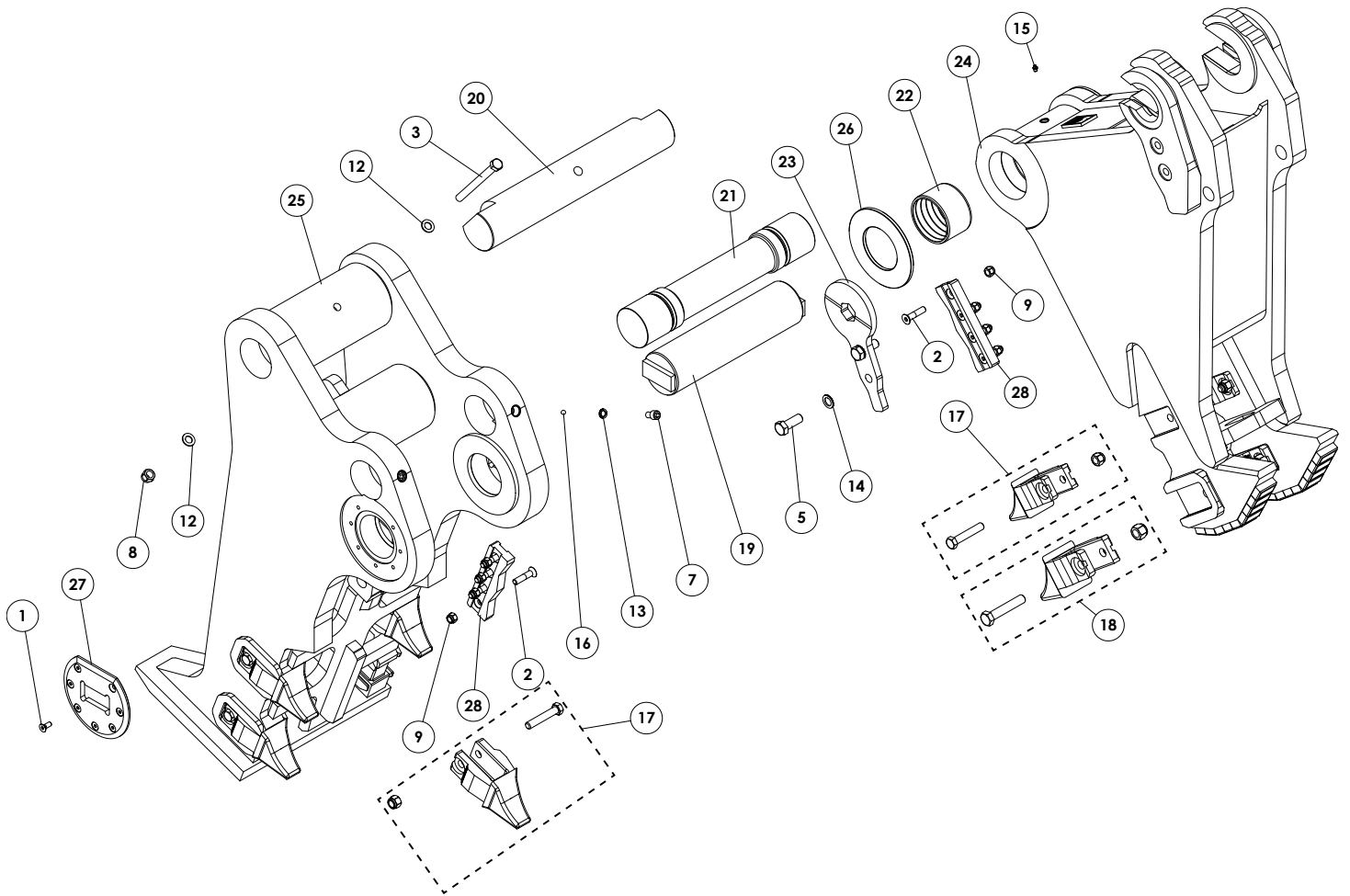
# CRACKER JAW



MRX360 Cracker Jaw Parts Illustration

Item	Qty	Description	Part Number
1	14	FLAT HEAD CAP SCREW	518416
2	1	HEX HEAD CAP SCREW	520650
3	5	HEX HEAD CAP SCREW	518159
4	2	HEX HEAD CAP SCREW	520507
5	1	HEX HEAD CAP SCREW	518160
6	2	SOCKET HEAD CAP SCREW	520496
7	3	SOCKET HEAD CAP SCREW	SEE "MRX BLADE KITS" ON PAGE 112
8	3	HEX HEAD CAP SCREW	520659
9	1	HEX NUT	518435
10	11	HEX NUT	SEE "MRX BLADE KITS" ON PAGE 112
11	1	HEX NUT	518160
12	2	WASHER	518436
13	2	WASHER	518714
14	2	WASHER	520497
15	1	GREASE FITTING	518203
16	2	BALL BEARING	520498
17	5	TOOTH	518159
18	1	TOOTH	518160
19	1	PIN	518603
20	1	PIN	518604
21	1	PIN	520660
22	1	BEARING	518637
23	1	LOCK PLATE	520503
24	1	MRX360 LOWER WELDMENT	520661
25	1	MRX360 UPPER WELDMENT	520662
26	2	END CAP	518609
27	2	END CAP	518611
28	2	BLADE	SEE "MRX BLADE KITS" ON PAGE 112

# PULVERIZER JAW

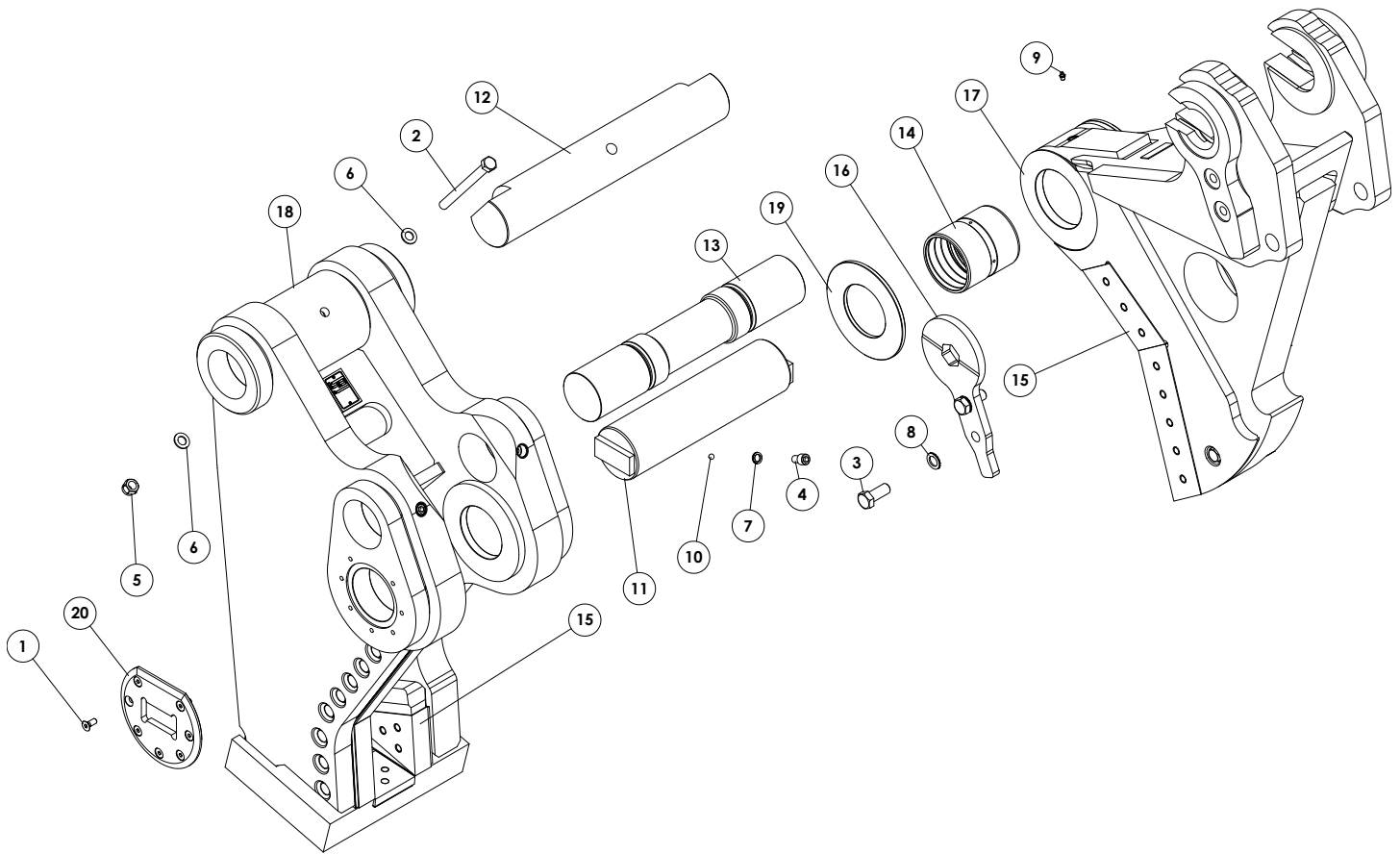


MRX360 Pulverizer Jaw Parts Illustration

Item	Qty	Description	Part Number
1	14	FLAT HEAD CAP SCREW	518416
2	8	FLAT HEAD CAP SCREW	SEE "MRX BLADE KITS" ON PAGE 112
3	1	HEX HEAD CAP SCREW	520650
4	6	HEX HEAD CAP SCREW	518159
5	2	HEX HEAD CAP SCREW	520507
6	2	HEX HEAD CAP SCREW	518160
7	2	SOCKET HEAD CAP SCREW	520496
8	1	HEX NUT	518435
9	8	HEX NUT	SEE "MRX BLADE KITS" ON PAGE 112
10	6	HEX NUT	518159
11	2	HEX NUT	518160
12	2	WASHER	518436
13	2	WASHER	518714
14	2	WASHER	520497
15	1	GREASE FITTING	518203
16	2	BALL BEARING	520498
17	6	TOOTH	518159
18	2	TOOTH	518160
19	1	PIN	518603
20	1	PIN	518604
21	1	PIN	520656
22	2	BEARING	518660
23	1	LOCK PLATE	520503
24	1	MRX360 UPPER WELDMENT	520657
25	1	MRX360 LOWER WELDMENT	520658
26	2	END CAP	518609
27	2	END CAP	518611
28	2	BLADE	SEE "MRX BLADE KITS" ON PAGE 112



# SHEAR JAW



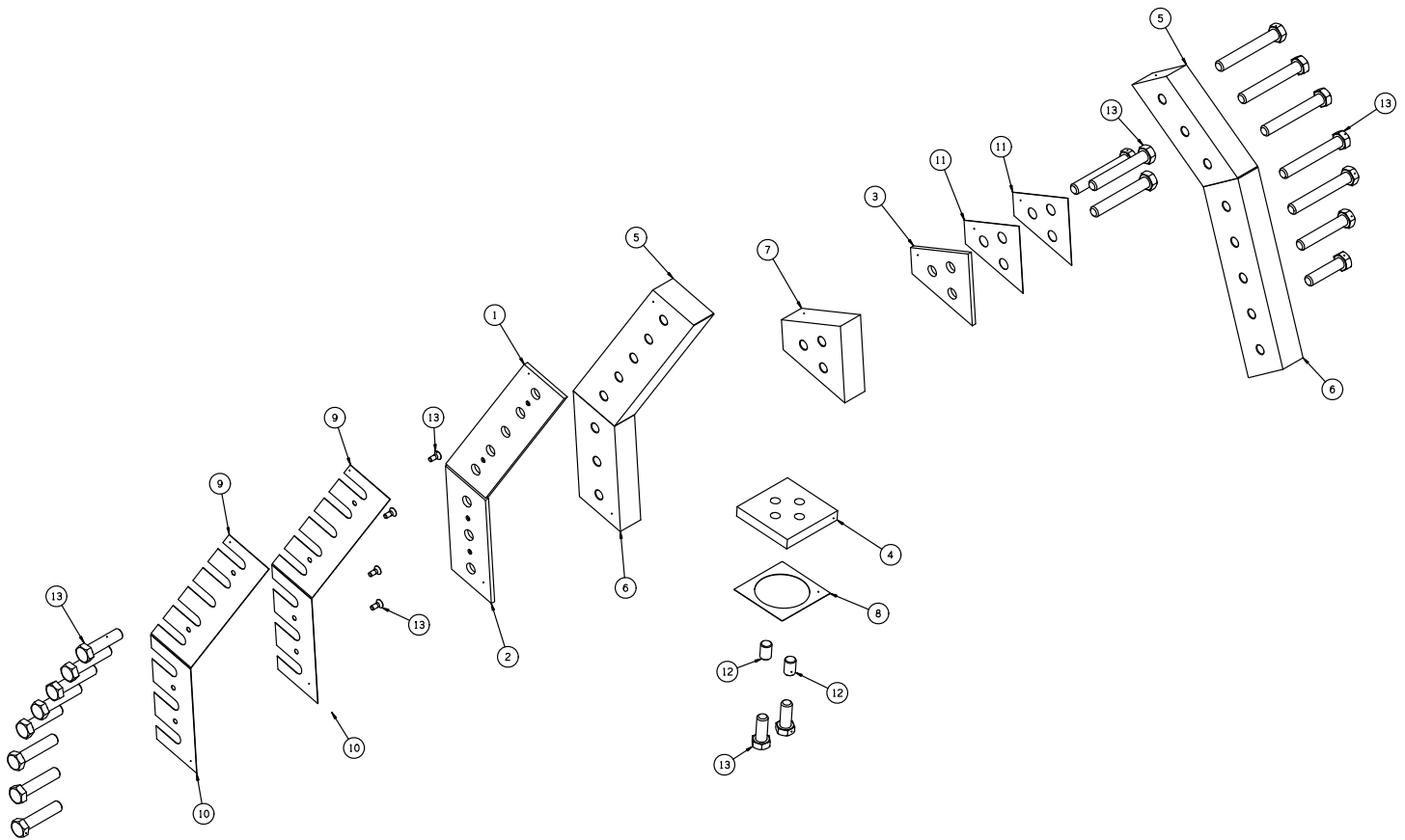
MRX360 Shear Jaw Parts Illustration			
Item	Qty	Description	Part Number
1	14	FLAT HEAD CAP SCREW	518416
2	1	HEX HEAD CAP SCREW	520650
3	2	HEX HEAD CAP SCREW	520495
4	2	SOCKET HEAD CAP SCREW	520496
5	1	HEX NUT	518435
6	2	WASHER	518436
7	2	WASHER	518714
8	2	WASHER	520497
9	1	GREASE FITTING	518203
10	2	BALL BEARING	520498
11	1	PIN	518603

MRX360 Shear Jaw Parts Illustration			
Item	Qty	Description	Part Number
12	1	PIN	518604
13	1	PIN	520651
14	1	BEARING	518606
15	1	BLADE KIT	520652
16	1	LOCK PLATE	520503
17	1	MRX360 UPPER WELDMENT	520653
18	1	MRX360 LOWER WELDMENT	520655
19	2	END CAP	518609
20	2	END CAP	518611

# SHEAR JAW FULL BLADE KIT

Full blade kits contain all the parts of the Cutting Blade Kit and the Tip Blade Kit. Use part number 520652 for a MRX360 Shear Jaw Full Blade Kit.

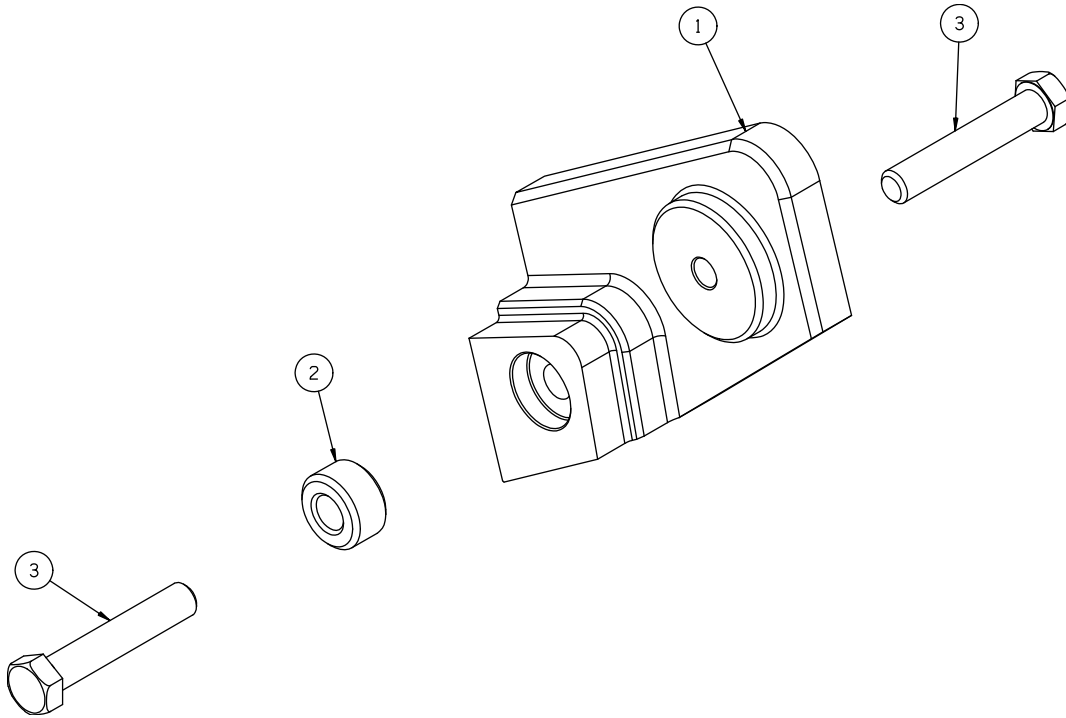
## Cutting Blade Kit - P/N 235704



MRX360 Shear Jaw Cutting Blade Kit Parts Illustration			
Item	Qty	Description	Part Number
1	1	SPACER PLATE	518690
2	1	SECONDARY BLADE ADJUSTMENT PLATE	520518
3	1	GUIDE BLADE ADJUSTMENT PLATE	520520
4	1	CROSS BLADE	518694
5	2	PRIMARY BLADE	520521
6	2	SECONDARY BLADE	520522
7	1	GUIDE BLADE	520523
8	2	CROSS BLADE SHIM	518699
9	1	BLADE SHIM	518702
10	2	BLADE SHIM	518703

MRX360 Shear Jaw Cutting Blade Kit Parts Illustration			
Item	Qty	Description	Part Number
11	2	GUIDE BLADE SHIM	520524
12	2	DOWEL PIN	518671
13	1	BOLT KIT	520688

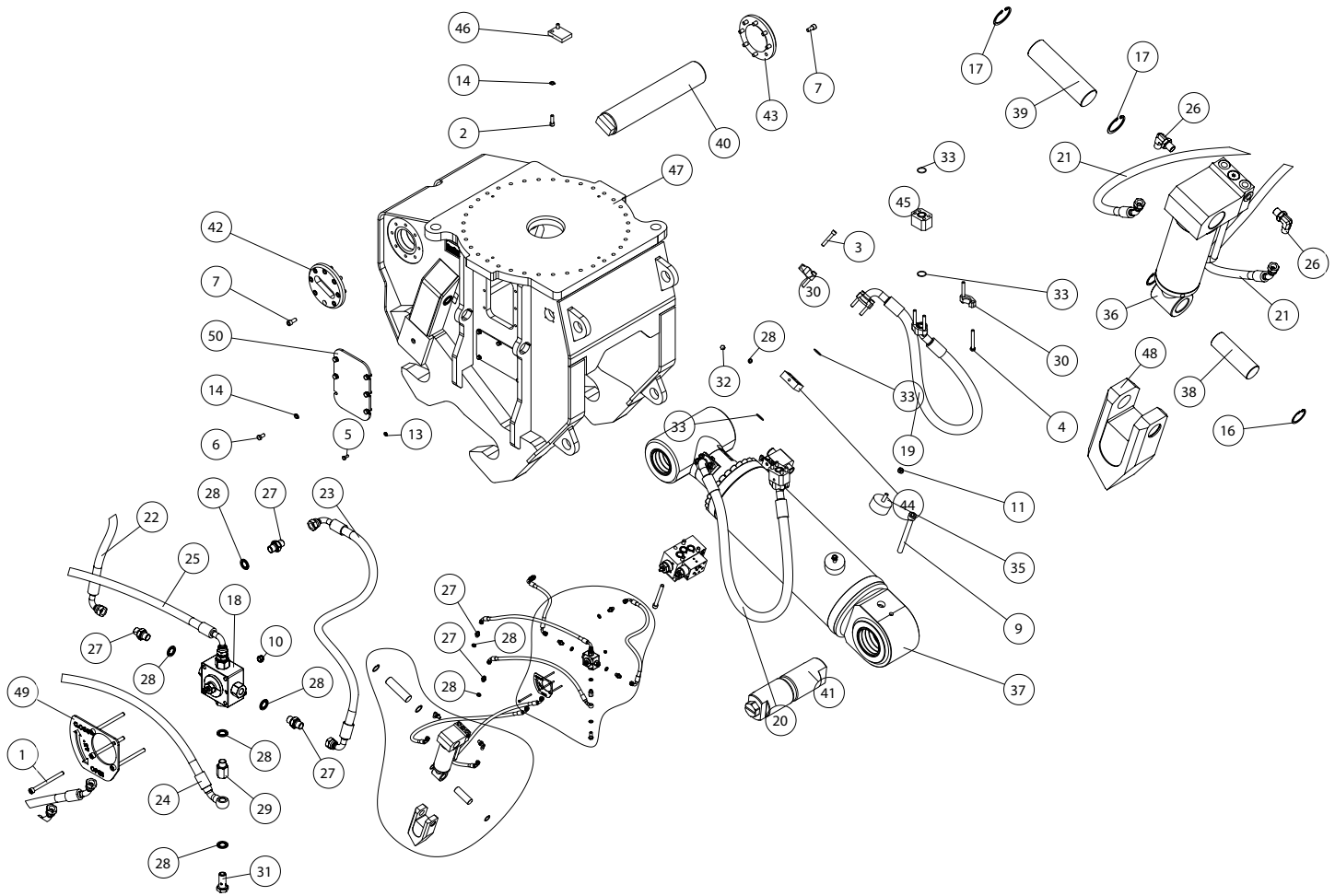
**Tip Blade Kit - P/N 235705**



MRX360 Shear Jaw Tip Blade Kit Parts Illustration			
Item	Qty	Description	Part Number
1	1	TIP BLADE	520525
2	1	DOWEL	518672
3	1	BOLT KIT	520689

# MRX500

## BODY

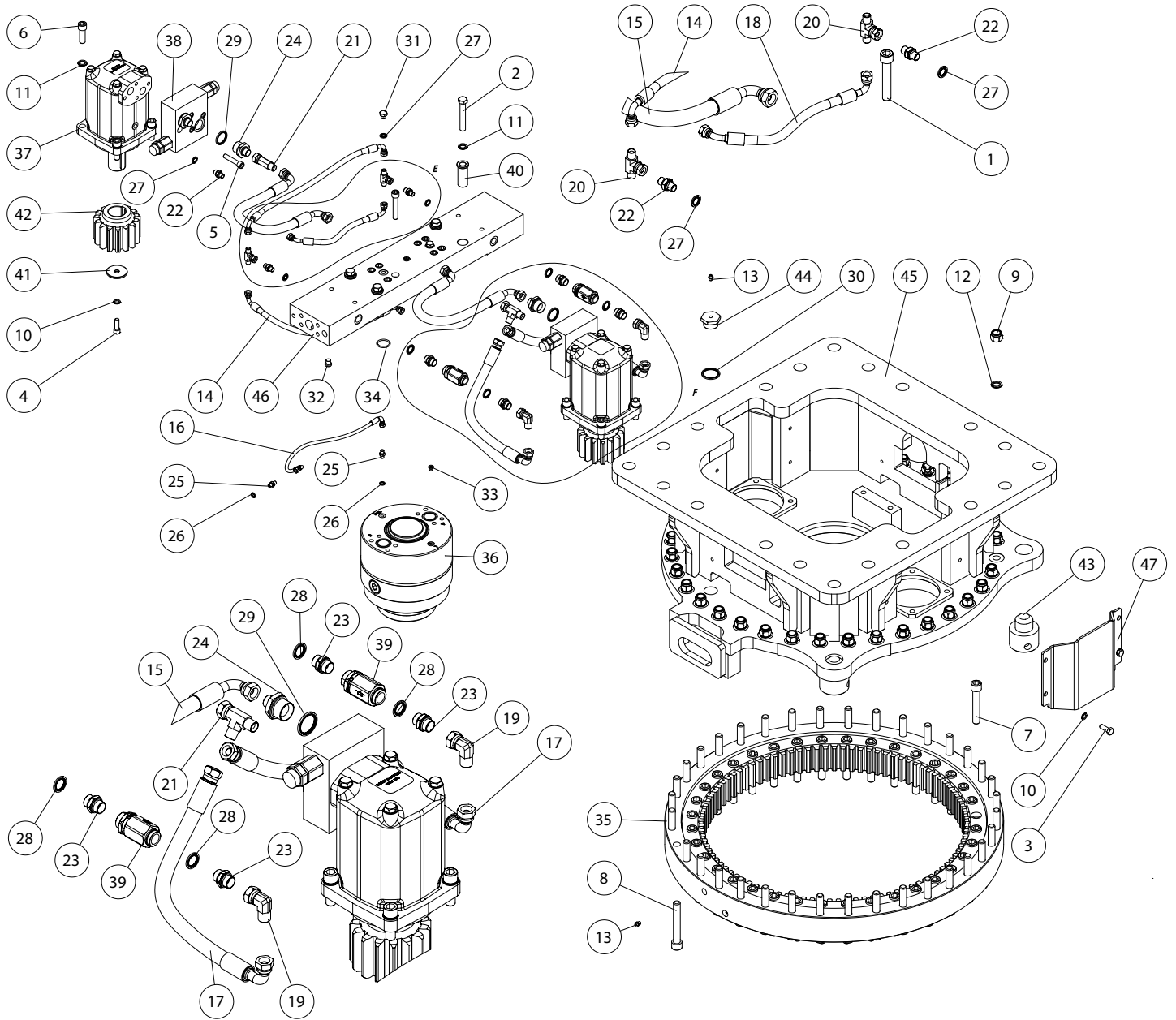


MRX500 Body Parts Illustration			
Item	Qty	Description	Part Number
1	4	SOCKET HEAD CAP SCREW	518407
2	2	SOCKET HEAD CAP SCREW	518278
3	8	SOCKET HEAD CAP SCREW	519727
4	8	HEX HEAD CAP SCREW	518282
5	12	HEX HEAD CAP SCREW	518192
6	12	HEX HEAD CAP SCREW	518195
7	16	SOCKET HEAD CAP SCREW	518242
8	4	SOCKET HEAD CAP SCREW	519756
9	1	SOCKET HEAD CAP SCREW	519716
10	4	HEX NUT W/NYLOCK	518350
11	4	HEX NUT W/NYLOCK	519757
12	4	FLAT WASHER	518352
13	12	FLAT WASHER	518353
14	14	FLAT WASHER	518355

## MRX500 Body Parts Illustration

Item	Qty	Description	Part Number
15	2	GREASE FITTING	518203
16	4	C CLIP	518388
17	4	C CLIP	518389
18	1	VALVE SWITCH	518360
19	1	HOSE ASSEMBLY	519717
20	1	HOSE ASSEMBLY	519718
21	2	HYDRAULIC HOSE	519758
22	1	HYDRAULIC HOSE	519760
23	1	HYDRAULIC HOSE	519761
24	1	HYDRAULIC HOSE	519762
25	1	HYDRAULIC HOSE	519763
26	4	HOSE ADAPTOR	518367
27	7	HOSE ADAPTOR	518368
28	13	FLAT WASHER	518308
29	1	EXTENSION ADAPTOR	518369
30	8	SPLIT FLANGE HALF	518309
31	1	HYDRAULIC ADAPTOR PLUG	518370
32	4	HYDRAULIC ADAPTOR PLUG	518310
33	8	O RING SEAL	518311
34	1	REGEN VALVE	519559
35	4	DAMPENER	519764
36	2	CYLINDER ASSEMBLY	518399
37	1	CYLINDER ASSEMBLY	519431
38	2	PIN MACHINING	519765
39	2	PIN MACHINING	519766
40	1	PIN MACHINING	519767
41	1	PIN MACHINING	519769
42	1	PIN RETAINER	518252
43	1	PIN RETAINER	518253
44	2	MANIFOLD MACHINING	519722
45	2	MANIFOLD MACHINING	519770
46	1	PLATE MACHINING	519724
47	1	MRX 500 STICK	519771
48	2	CUTTING EDGE	519772
49	1	OPEN CLOSE PLATE	518386
50	2	COVER PLATE	518226

# ROTATION

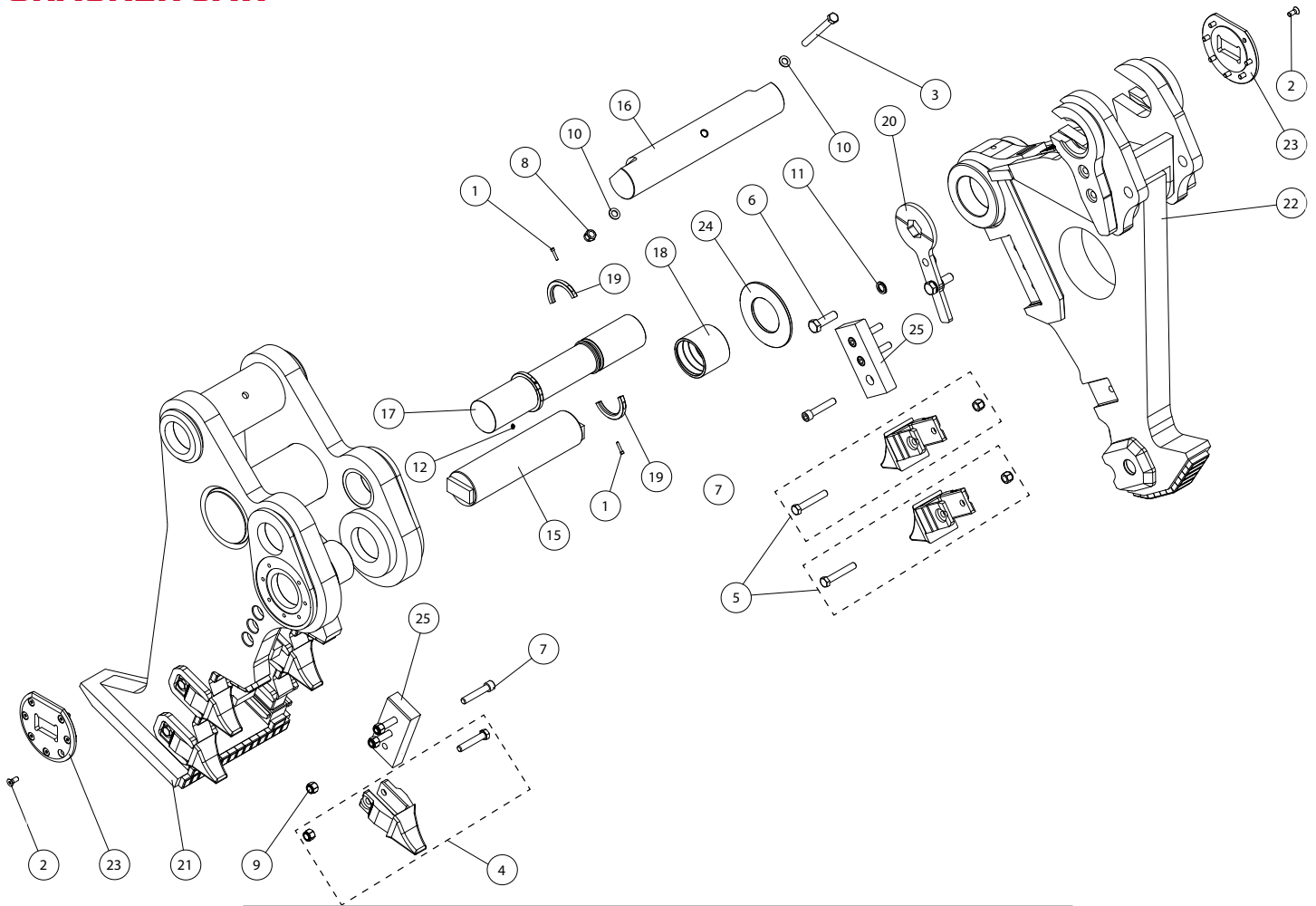


MRX500 Rotation Parts Illustration			
Item	Qty	Description	Part Number
1	8	SOCKET HEAD CAP SCREW	519727
2	4	HEX HEAD CAP SCREW	519728
3	8	HEX HEAD CAP SCREW	519729
4	2	SOCKET HEAD CAP SCREW	518708
5	4	SOCKET HEAD CAP SCREW	518956
6	8	SOCKET HEAD CAP SCREW	518957
7	36	SOCKET HEAD CAP SCREW	518959

## MRX500 Rotation Parts Illustration

Item	Qty	Description	Part Number
8	36	SOCKET HEAD CAP SCREW	519558
9	36	HEX NUT W/NYLOCK	518200
10	10	FLAT WASHER	518354
11	12	FLAT WASHER	518714
12	36	FLAT WASHER	518961
13	6	GREASE FITTING	518203
14	2	HYDRAULIC HOSE	519730
15	2	HYDRAULIC HOSE	519731
16	1	HYDRAULIC HOSE	519733
17	2	HYDRAULIC HOSE	519734
18	1	HYDRAULIC HOSE	519735
19	2	HYDRAULIC ADAPTOR	519736
20	2	HYDRAULIC ADAPTOR	519737
21	2	HYDRAULIC ADAPTOR	519738
22	4	HOSE ADAPTOR	518368
23	4	HYDRAULIC ADAPTOR	518973
24	4	HOSE ADAPTOR	518974
25	2	HYDRAULIC ADAPTOR	519739
26	2	FLAT WASHER	519740
27	6	FLAT WASHER	518308
28	4	FLAT WASHER	518720
29	4	FLAT WASHER	518975
30	2	FLAT WASHER	518976
31	2	HYDRAULIC ADAPTOR PLUG	518310
32	4	HYDRAULIC ADAPTOR PLUG	518397
33	2	HYDRAULIC ADAPTOR PLUG	518371
34	2	O RING SEAL	518205
35	1	TURNTABLE BEARING	519557
36	1	SWIVEL JOINT	519560
37	2	HYDRAULIC MOTOR	519553
38	2	DAMPENER	518989
39	2	RELIEF VALVE	518980
40	4	BEARING MACHINING	519742
41	2	FLAT WASHER	519743
42	2	PINION GEAR	519555
43	2	ROTATION PIN RETAINER	518984
44	2	HYDRAULIC ADAPTOR PLUG	518985
45	1	UPPER HEAD WELDMENT MACHINING	519744
46	1	MANIFOLD MACHINING	519745
47	2	FORMED COVER PLATE	519746

# CRACKER JAW



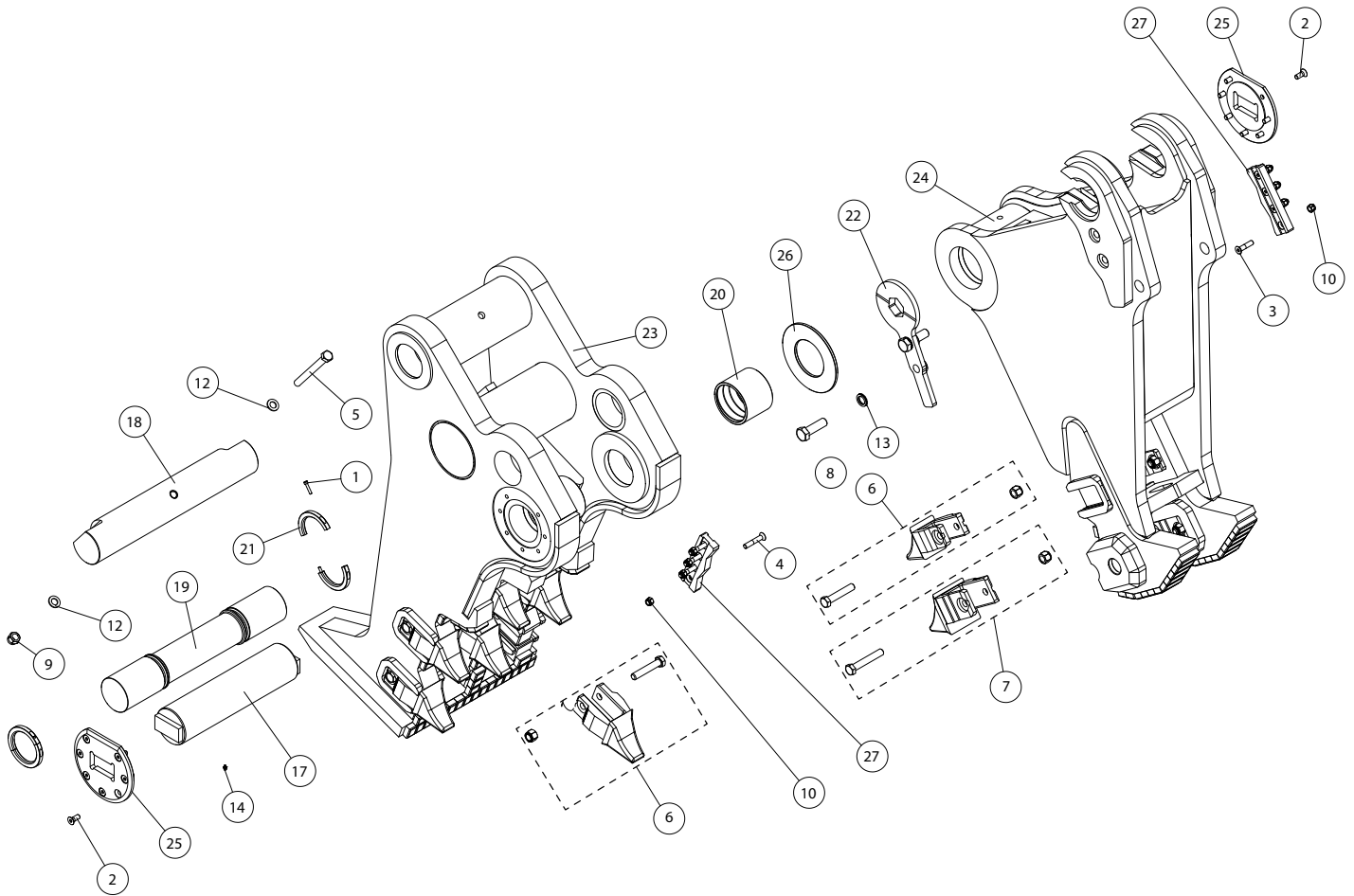
MRX500 Cracker Jaw Parts Illustration			
Item	Qty	Description	Part Number
1	4	SOCKET HEAD CAP SCREW	519773
2	14	SOCKET HEAD CAP SCREW	519774
3	1	HEX HEAD CAP SCREW	519775
4	4	CUTTING EDGE KIT	518160
5	2	CUTTING EDGE KIT	519451
6	2	HEX HEAD CAP SCREW	519776
7	6	SOCKET HEAD CAP SCREW	SEE "MRX BLADE KITS" ON PAGE 112
8	1	HEX NUT W/NYLOCK	519779
10	2	FLAT WASHER	519780
11	2	FLAT WASHER	519781
12	1	GREASE FITTING	518203
15	1	PIN MACHINING	519782
16	1	PIN MACHINING	519783
17	1	PIN MACHINING	519784
18	2	BUSHING MACHINING	519785



MRX500 Cracker Jaw Parts Illustration

Item	Qty	Description	Part Number
19	4	COLLAR MACHINING	519787
20	1	KEY MACHINING	519788
21	1	MRX 500 LOWER CC	519789
22	1	MRX 500 UPPER CC	519790
23	2	SPACER SHIM	519791
24	2	SPACER SHIM	519792
25	2	BLADE MACHINING	SEE "MRX BLADE KITS" ON PAGE 112

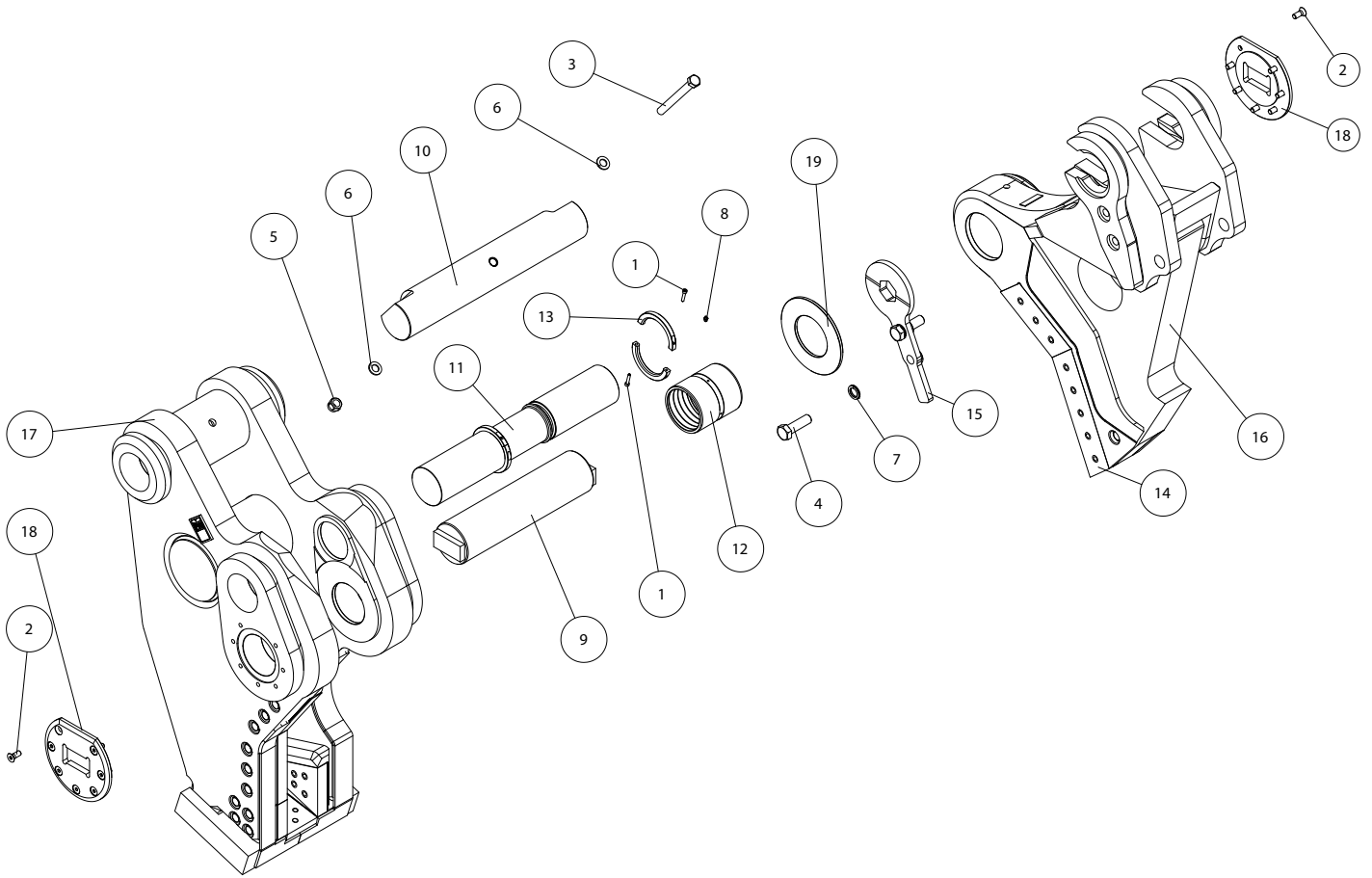
# PULVERIZER JAW



MRX500 Pulverizer Jaw Parts Illustration			
Item	Qty	Description	Part Number
1	4	SOCKET HEAD CAP SCREW	519773
2	14	SOCKET HEAD CAP SCREW	519774
3	4	HEX HEAD CAP SCREW	SEE "MRX BLADE KITS" ON PAGE 112
4	4	SOCKET HEAD CAP SCREW	SEE "MRX BLADE KITS" ON PAGE 112
5	1	HEX HEAD CAP SCREW	519775
6	8	CUTTING EDGE KIT	518160
7	2	CUTTING EDGE KIT	519451
8	2	HEX HEAD CAP SCREW	519776
9	1	HEX NUT W/NYLOCK	519779
10	8	HEX NUT W/NYLOCK	SEE "MRX BLADE KITS" ON PAGE 112

MRX500 Pulverizer Jaw Parts Illustration			
Item	Qty	Description	Part Number
12	2	FLAT WASHER	519780
13	2	FLAT WASHER	519781
14	1	GREASE FITTING	518203
17	1	PIN MACHINING	519782
18	1	PIN MACHINING	519783
19	1	PIN MACHINING	519784
20	2	BUSHING MACHINING	519785
21	4	COLLAR MACHINING	519787
22	1	KEY MACHINING	519788
23	1	MRX 500 LOWER CP	519794
24	1	MRX 500 UPPER CP	519796
25	2	SPACER SHIM	519791
26	2	SPACER SHIM	519792
27	2	PIN RETAINER	SEE "MRX BLADE KITS" ON PAGE 112

# SHEAR JAW



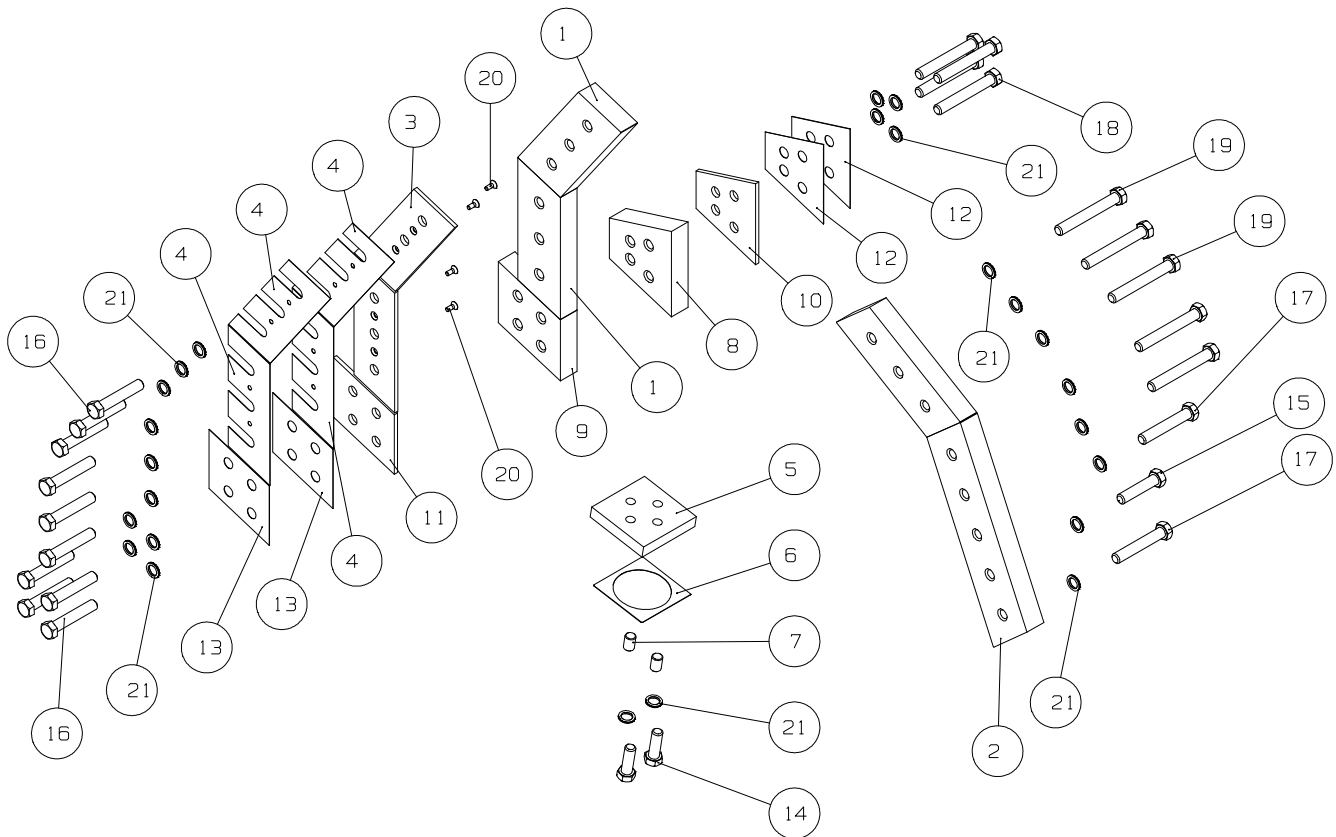
MRX500 Shear Jaw Parts Illustration			
Item	Qty	Description	Part Number
1	4	SOCKET HEAD CAP SCREW	519773
2	14	SOCKET HEAD CAP SCREW	519774
3	1	HEX HEAD CAP SCREW	519775
4	2	HEX HEAD CAP SCREW	519776
5	1	HEX NUT W/NYLOCK	519779
6	2	FLAT WASHER	519780
7	2	FLAT WASHER	519781
8	1	GREASE FITTING	518203
9	1	PIN MACHINING	519782
10	1	PIN MACHINING	519783
11	1	PIN MACHINING	519797
12	1	BUSHING MACHINING	519798

MRX500 Shear Jaw Parts Illustration			
Item	Qty	Description	Part Number
13	4	COLLAR MACHINING	519787
14	1	BLADE KIT	519389
15	1	KEY MACHINING	519788
16	1	MRX 500 UPPER SH	519799
17	1	MRX 500 LOWER SH	519800
18	2	SPACER SHIM	519791
19	2	SPACER SHIM	519792

# SHEAR JAW FULL BLADE KIT

Full blade kits contain all the parts of the Cutting Blade Kit and the Tip Blade Kit. Use part number 519389 for a MRX500 Shear Jaw Full Blade Kit.

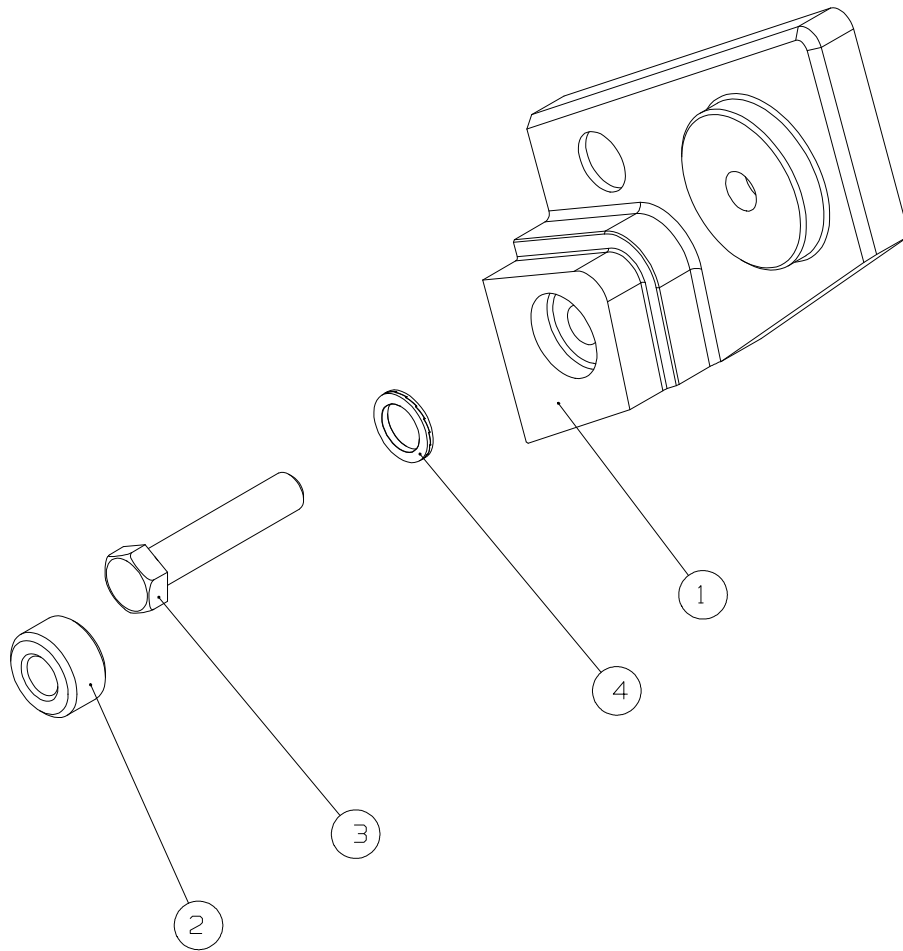
## Cutting Blade Kit - P/N 232550



MRX500 Shear Jaw Cutting Blade Kit Parts Illustration			
Item	Qty	Description	Part Number
1	3	BLADE MACHINING	519816
2	1	BLADE MACHINING	519815
3	2	SPACER	519808
4	4	SHIM	519819
5	1	CROSS BLADE MACHINING	519810
6	1	SHIM	519818
7	2	DOWEL PIN	518671
8	1	GUIDE BLADE MACHINING	519814
9	1	GUIDE BLADE MACHINING	519811

MRX500 Shear Jaw Cutting Blade Kit Parts Illustration			
Item	Qty	Description	Part Number
10	1	SPACER	519809
11	1	SPACER	519807
12	2	SHIM	519820
13	4	SHIM	519817
14	2	CAP SCREW	519801
15	1	CAP SCREW	502492
16	10	CAP SCREW	502430
17	1	CAP SCREW	501515
18	4	CAP SCREW	519803
19	5	CAP SCREW	511885
20	4	CAP SCREW	518670
21	24	WASHER	517980

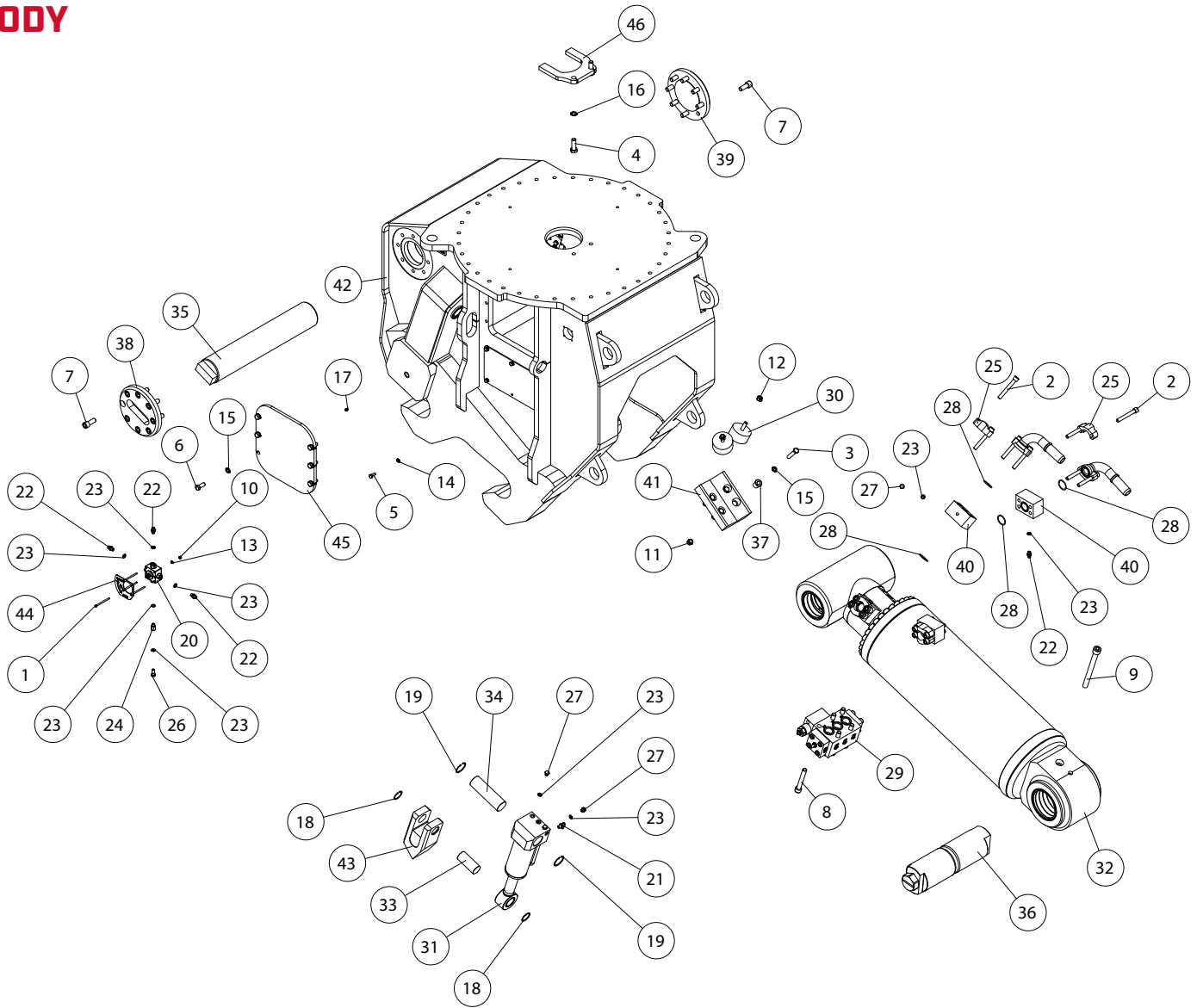
**Tip Blade Kit - P/N 232551**



MRX500 Shear Jaw Tip Blade Kit Parts Illustration			
Item	Qty	Description	Part Number
1	1	BLADE MACHINING	519812
2	1	DOWEL PIN	519806
3	1	CAP SCREW	501515
4	1	WASHER	517980

# MRX750

## BODY



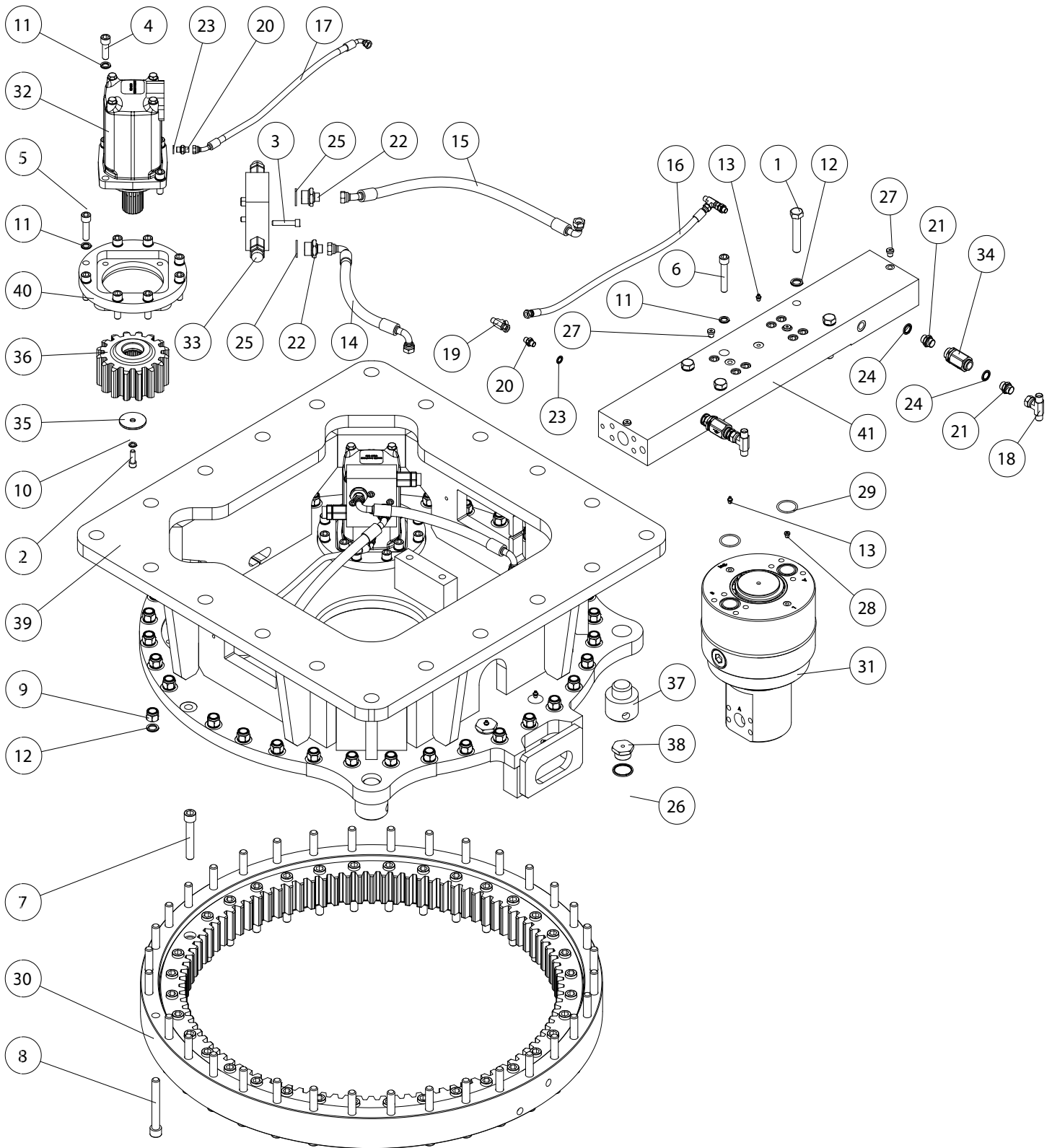
MRX750 Body Parts Illustration			
Item	Qty	Description	Part Number
1	4	SOCKET HEAD CAPSCREW	520257
2	4	SOCKET HEAD CAPSCREW	518705
3	16	SOCKET HEAD CAPSCREW	520259
4	2	HEX HEAD CAPSCREW	520261
5	12	SOCKET HEAD CAP SCREW	518192
6	12	HEX HEAD CAP SCREW	518283
7	16	SOCKET HEAD CAP SCREW	518266
8	5	SOCKET HEAD CAPSCREW	519558
9	1	SOCKETHEAD CAPSCREW	519716
10	4	HEX NUT	518350
11	2	HEX NUT	519757

## MRX750 Body Parts Illustration

Item	Qty	Description	Part Number
12	4	WASHER	518352
13	12	WASHER	518353
14	16	WASHER	518714
15	2	LOCK WASHER	518961
16	2	GREASE FITTING	518203
17	4	C CLIP	518359
18	4	C CLIP	518390
19	1	FITTING	518360
20	1	ASSY HOSE	520803
21	1	ASSY HOSE	520804
22	2	ASSY HOSE	520805
23	1	ASSY HOSE	520806
24	1	ASSY HOSE	520807
25	1	ASSY HOSE	520809
26	1	ASSY HOSE	520810
27	4	ADAPTER	518367
28	3	ADAPTER	518368
29	21	WASHER	518308
30	1	ADAPTER	518369
31	8	FLANGE HALF	520262
32	5	PLUG	518370
33	8	PLUG	518310
34	9	O-RING	518312
35	1	REGEN VALVE	518313
36	2	DAMPENER	519764
37	2	GUIDE BLADE SHIM	520524
38	1	MAIN CYLINDER ASSEMBLY	520252
39	2	PIN MACHINING	520263
40	2	PIN MACHINING	520264
41	1	PIN HTCH 50MM	518316
42	1	PIN MACHINING	520265
43	1	PIN MACHINING	520266
44	4	BUSHING MACHINING	520268
45	1	PIN	518272
46	1	PIN	518273
47	4	MANIFOLD MACHINING	520269
48	1	PLATE MACHINING	520270
49	1	STICK	520271
50	2	CUTTING EDGE	520272
51	1	OPEN/CLOSE PLATE	518386
52	2	COVER PLATE	518347
53	1	COVER PLATE	520273



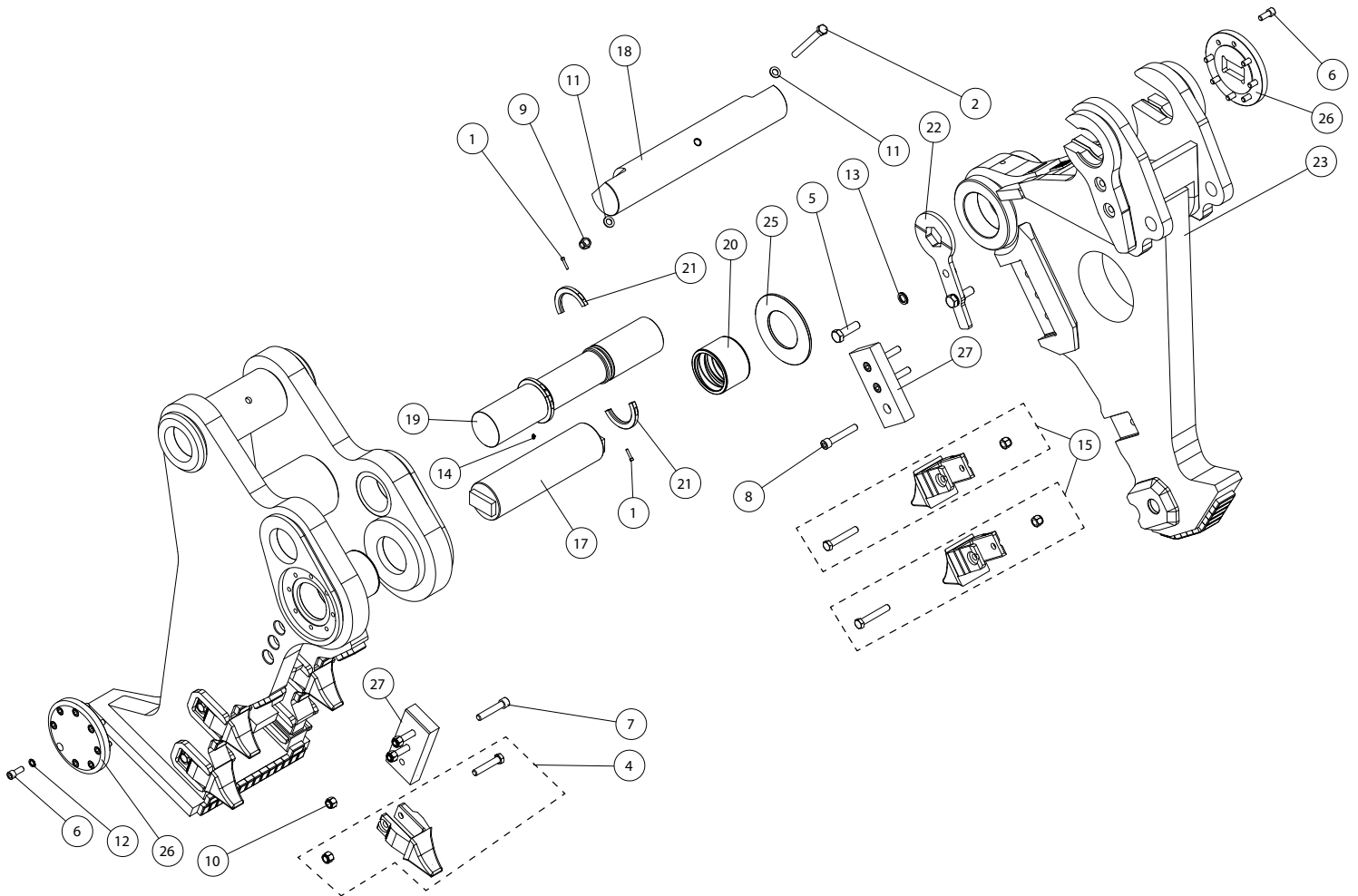
# ROTATION



## MRX750 Rotation Parts Illustration

Item	Qty	Description	Part Number
1	4	HEX HEAD CAP SCREW	518955
2	2	SOCKET HEAD CAP SCREW	518708
3	8	SOCKET HEAD CAP SCREW	518956
4	8	SOCKET HEAD CAP SCREW	518957
5	16	SOCKET HEAD CAP SCREW	518924
6	8	SOCKET HEAD CAP SCREW	518958
7	36	SOCKET HEAD CAP SCREW	518959
8	36	SOCKET HEAD CAP SCREW	518960
9	36	NUT	518200
10	2	WASHER	518354
11	32	WASHER	518714
12	40	WASHER	518961
13	8	GREASE FITTING	518203
14	2	HOSE	518963
15	2	HOSE	518968
16	1	HOSE	518969
17	2	HOSE	518970
18	2	ADAPTER	518971
19	2	HOSE ADAPTER	518745
20	4	HOSE ADAPTER	518368
21	4	ADAPTER	518973
22	4	HOSE ADAPTER	518974
23	4	WASHER	518308
24	4	WASHER	518720
25	4	WASHER	518975
26	2	WASHER	518976
27	4	ADAPTER PLUG	518397
28	1	ADAPTER PLUG	518371
29	2	O-RING SEAL	518312
30	1	TURNTABLE BEARING	518977
31	1	SWIVEL JOINT	518978
32	2	HYDRAULIC MOTOR	518979
33	2	DAMPENER	518989
34	2	RELIEF VALVE	518980
35	2	WASHER	518982
36	2	PINION GEAR	518983
37	2	ROTATION PIN RETAINER	518984
38	2	ADAPTER PLUG	518985
39	1	UPPER HEAD WELDMENT MACHINING	518986
40	2	MOTOR PLATE	518987
41	1	MANIFOLD MACHINING	518988

# CRACKER JAW



MRX750 Cracker Jaw Parts Illustration

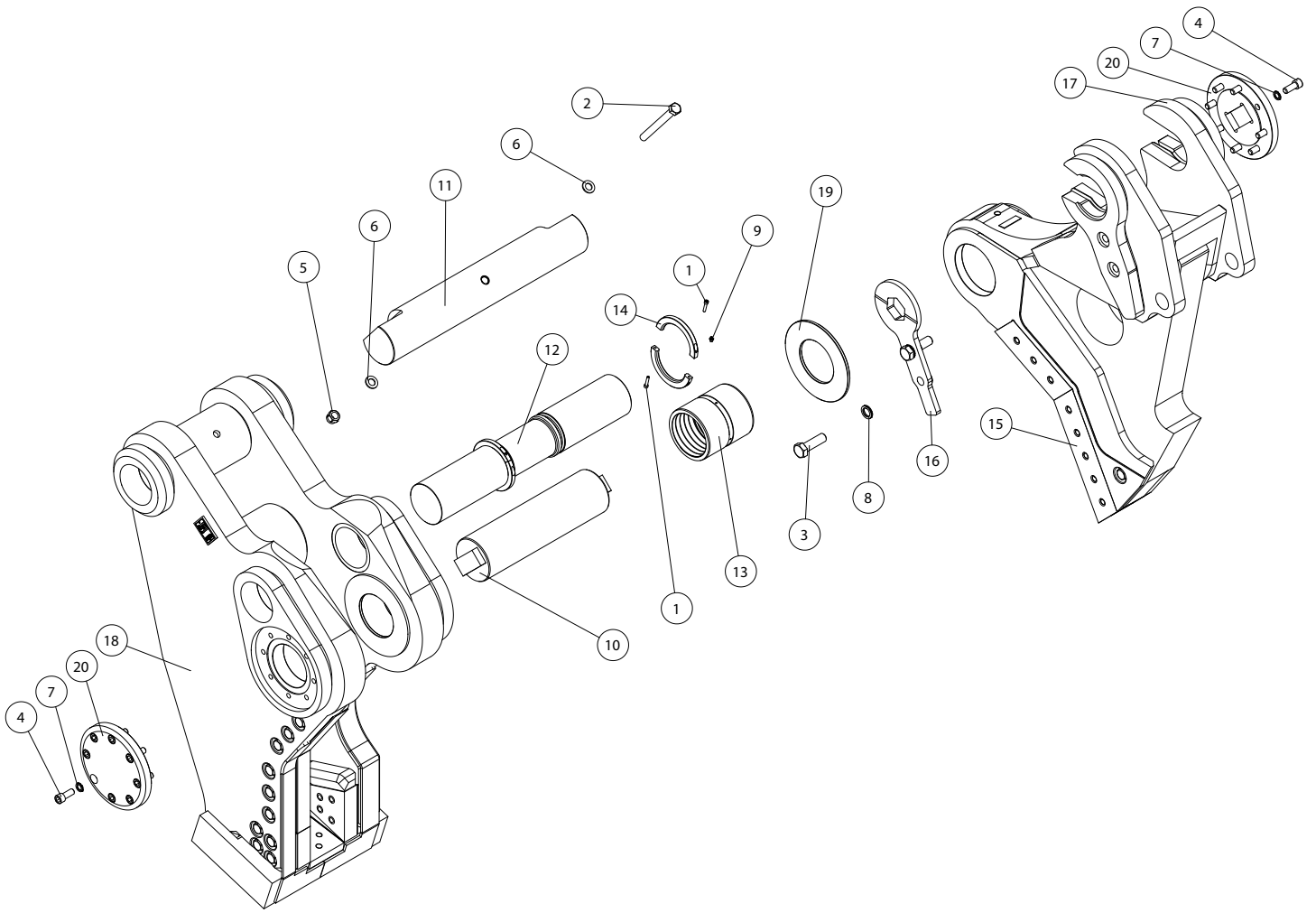
Item	Qty	Description	Part Number
1	4	SOCKET HEAD CAP SCREW	519773
2	1	HEX HEAD CAP SCREW	519775
4	4	CUTTING EDGE KIT	518160
5	2	HEX HEAD CAP SCREW	519776
6	16	SOCKET HEAD CAP SCREW	518266
7	3	SOCKET HEAD CAP SCREW	SEE "MRX BLADE KITS" ON PAGE 112
8	3	SOCKET HEAD CAP SCREW	SEE "MRX BLADE KITS" ON PAGE 112
9	1	NUT	519779
10	12	NUT	519451
11	2	WASHER	519780
12	16	WASHER	518961
13	2	WASHER	519781
14	1	GREASE FITTING	518203
15	2	CUTTING EDGE KIT	519451
17	1	PIN MACHINING	520274
18	1	PIN MACHINING	520275
19	1	PIN MACHINING	520298
20	2	BUSHING MACHINING	520299
21	4	COLLAR MACHINING	520279
22	1	LOCK PLATE	520281
23	1	UPPER WELDMENT	520302
24	1	LOWER WELDMENT	520304
25	2	SPACER SHIM	518344
26	2	COVER MACHINING	520284
27	2	BLADE MACHINING	SEE "MRX BLADE KITS" ON PAGE 112



MRX750 Pulverizer Jaw Parts Illustration

Item	Qty	Description	Part Number
1	4	SOCKET HEAD CAP SCREW	519773
2	8	SOCKET HEAD CAP SCREW	SEE "MRX BLADE KITS" ON PAGE 112
3	1	HEX HEAD CAP SCREW	519775
4	8	CUTTING EDGE KIT	518160
5	2	CUTTING EDGE KIT	519451
6	2	HEX HEAD CAP SCREW	519776
7	16	SOCKET HEAD CAP SCREW	518266
8	1	NUT	519779
9	8	NUT	SEE "MRX BLADE KITS" ON PAGE 112
11	2	WASHER	519780
12	16	WASHER	518961
13	2	WASHER	519781
14	1	GREASE FITTING	518203
17	1	PIN MACHINING	520274
18	1	PIN MACHINING	520275
19	1	PIN MACHINING	520288
20	2	BUSHING	518336
21	4	COLLAR MACHINING	520279
22	1	UPPER WELDMENT	520290
23	1	LOWER WELDMENT	520291
24	1	LOCK PLATE	520281
25	2	SPACER SHIM	518344
26	2	COVER	520284
27	2	BLADE	SEE "MRX BLADE KITS" ON PAGE 112

# SHEAR JAW



MRX750 Shear Jaw Parts Illustration

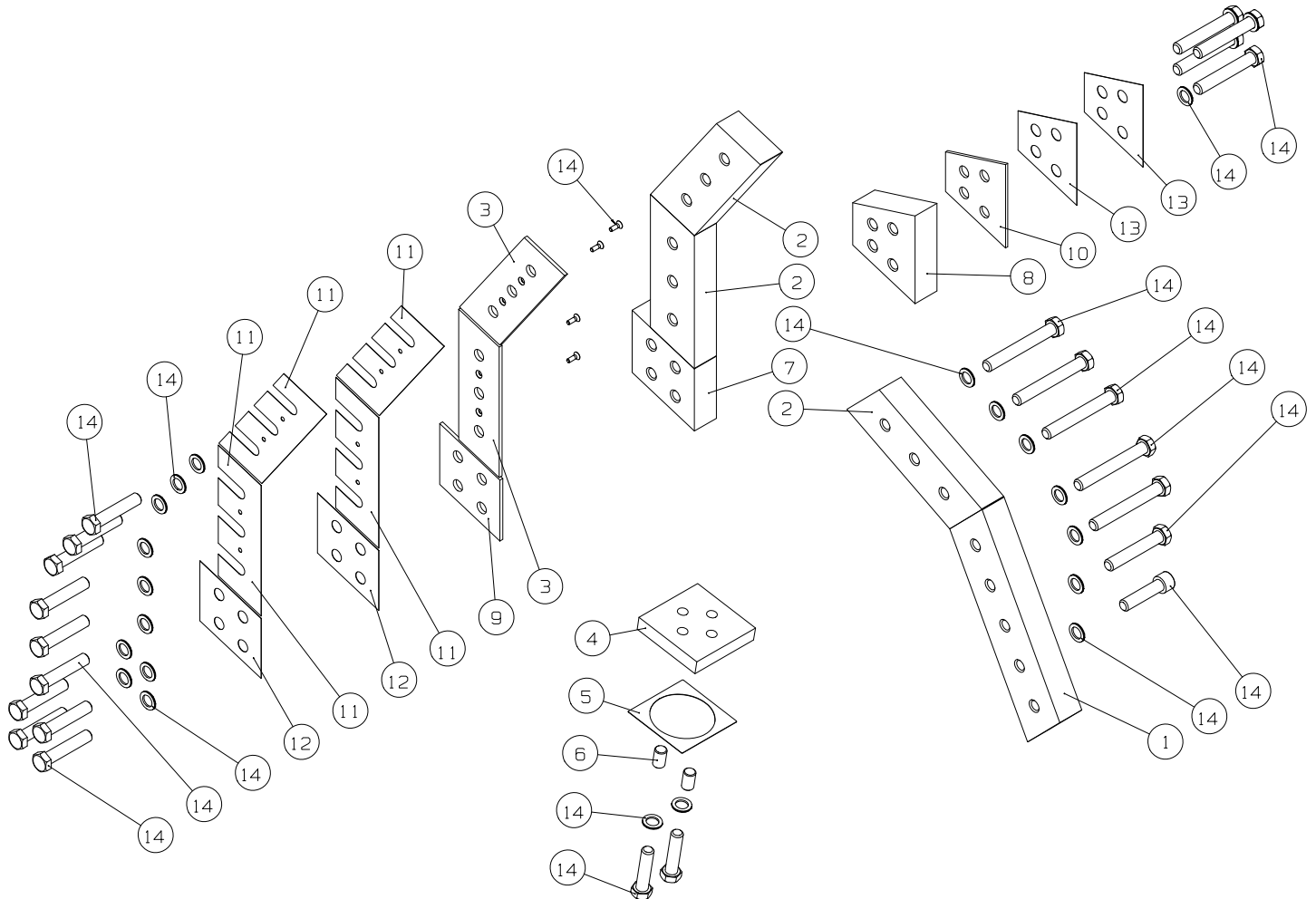
Item	Qty	Description	Part Number
1	4	SOCKET HEAD CAP SCREW	519773
2	1	HEX HEAD CAP SCREW	519775
3	2	HEX HEAD CAP SCREW	519776
4	16	SOCKET HEAD CAP SCREW	518266
5	1	NUT	519779
6	2	WASHER	519780
7	16	WASHER	518961
8	2	WASHER	519781
9	1	WASHER	518352
10	1	PIN MACHINING	520274
11	1	PIN MACHINING	520275
12	1	PIN MACHINING	520277
13	1	BUSHING	520278
14	4	COLLAR MACHINING	520279
15	1	BLADE KIT	520256
16	1	LOCK PLATE	520281
17	1	UPPER WELDMENT	520282
18	1	LOWER WELDMENT	520283
19	2	SPACER SHIM	518344
20	2	COVER	520284



# SHEAR JAW FULL BLADE KIT

Full blade kits contain all the parts of the Cutting Blade Kit and the Tip Blade Kit. Use part number 520256 for a MRX750 Shear Jaw Full Blade Kit.

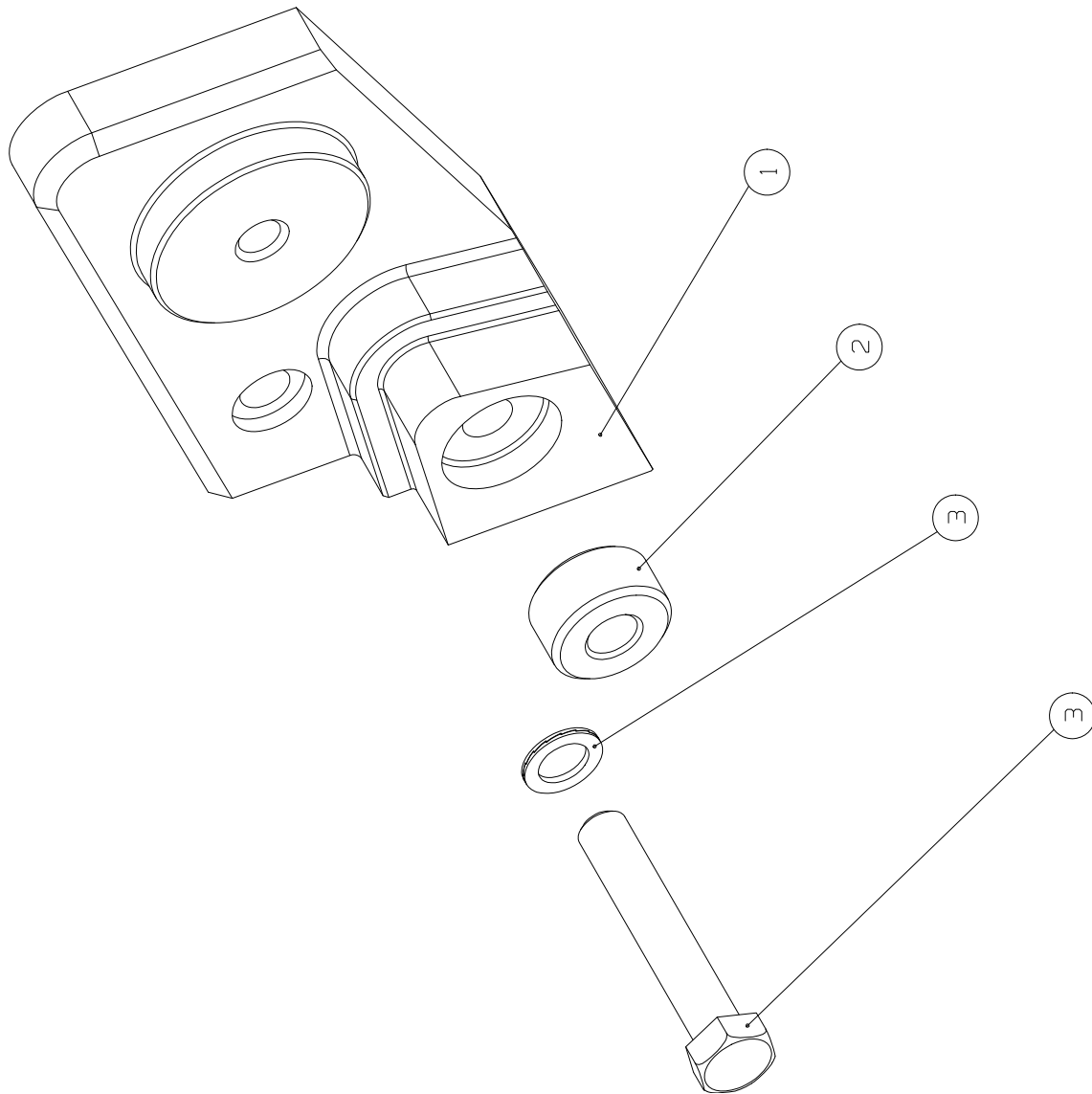
## Cutting Blade Kit - P/N 234311



MRX750 Shear Jaw Cutting Blade Kit Parts Illustration			
Item	Qty	Description	Part Number
1	1	PRIMARY BLADE	520332
2	3	SECONDARY BLADE	520333
3	2	SPACER	520334
4	1	CROSS BLADE	520335
5	1	CROSS BLADE SHIM	520336
6	2	DOWEL PIN	520337
7	1	GUIDE BLADE	520338

MRX750 Shear Jaw Cutting Blade Kit Parts Illustration			
Item	Qty	Description	Part Number
8	1	GUIDE BLADE	520340
9	1	SPACER	520341
10	1	SPACER	520342
11	4	SHIM	520343
12	2	GUIDE BLADE SHIM	520344
13	2	GUIDE BLADE SHIM	520345
14	1	KIT BOLT FOR 234311	520329

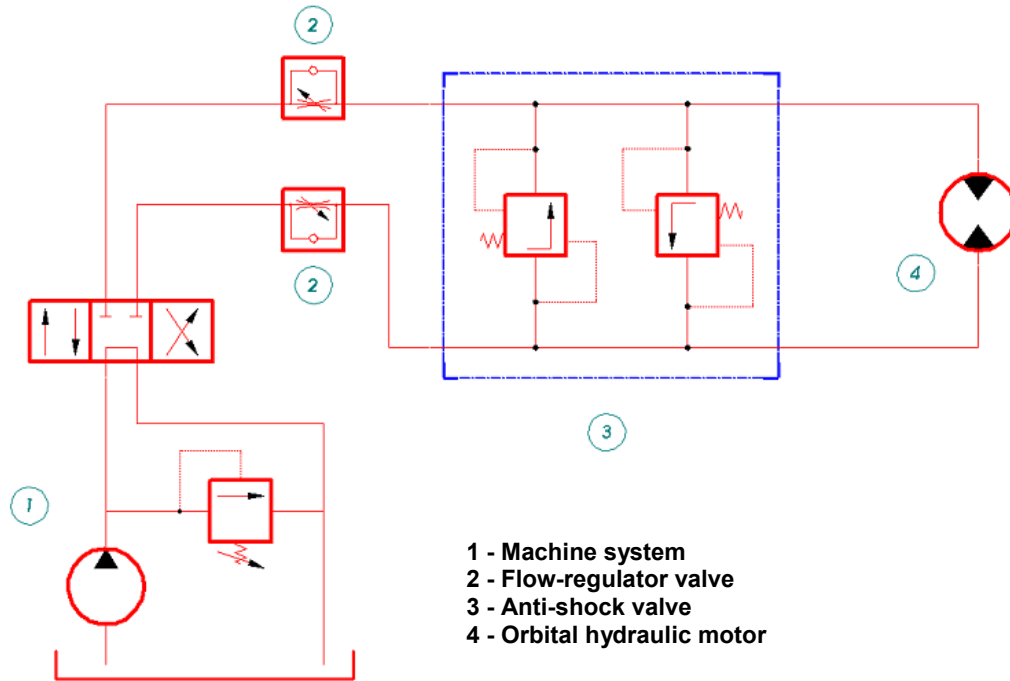
**Tip Blade Kit - P/N 234313**



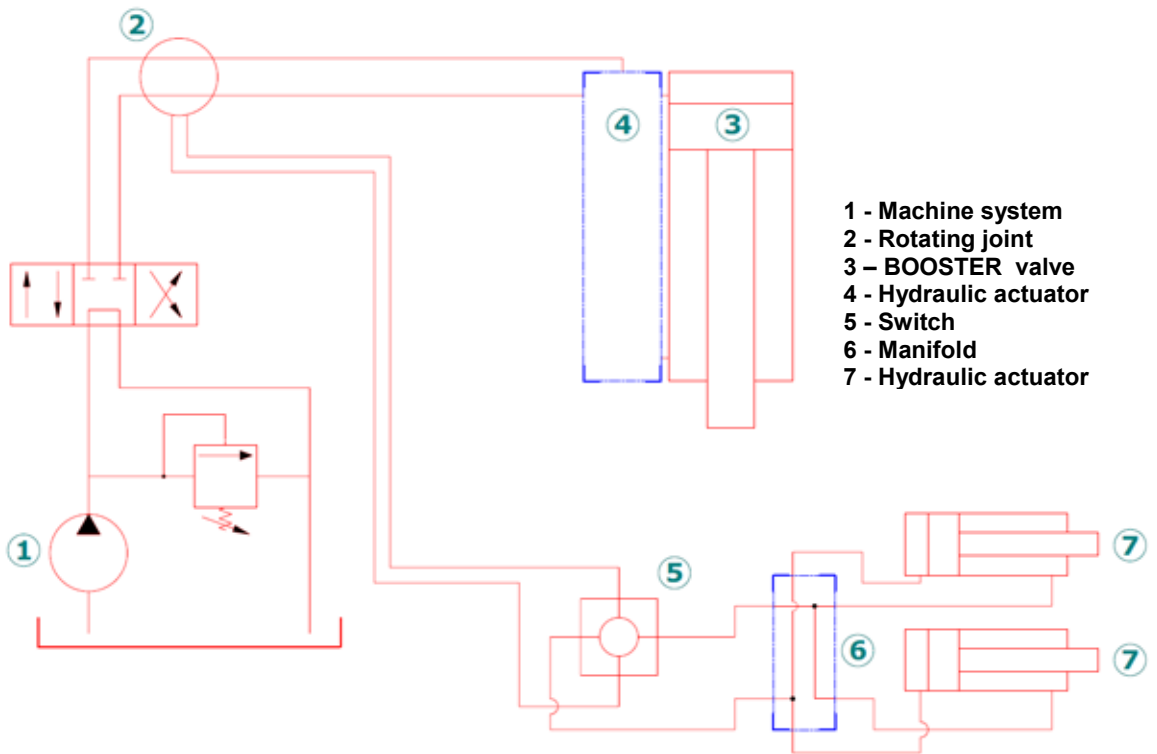
MRX750 Shear Jaw Tip Blade Kit Parts Illustration			
Item	Qty	Description	Part Number
1	1	TIP BLADE	520346
2	1	DOWEL	520347
3	1	BOLT KIT FOR 234313	520331

# HYDRAULIC SCHEMATIC

ROTATION HYDRAULIC DIAGRAM



HYDRAULIC POWER DIAGRAM



# WEAR PART KITS

## FULL BLADE KITS

MRX Blade Kits			
Model	Jaw Set	Description	Part Number
MRX70	SHEAR	FULL BLADE KIT INCLUDES ALL BLADES, BOLTS [ETC] NEEDED FOR A BLADE CHANGE.	519370
	CONCRETE PULVERIZER		519225
	CONCRETE CRACKING		519368
MRX100	SHEAR	FULL BLADE KIT INCLUDES ALL BLADES, BOLTS [ETC] NEEDED FOR A BLADE CHANGE.	519377
	CONCRETE PULVERIZER		519225
	CONCRETE CRACKING		519372
MRX130	SHEAR	FULL BLADE KIT INCLUDES ALL BLADES, BOLTS [ETC] NEEDED FOR A BLADE CHANGE.	519282
	CONCRETE PULVERIZER		519319
	CONCRETE CRACKING		519328
MRX180	SHEAR	FULL BLADE KIT INCLUDES ALL BLADES, BOLTS [ETC] NEEDED FOR A BLADE CHANGE.	520558
	CONCRETE PULVERIZER		520579
	CONCRETE CRACKING		520583
MRX220	SHEAR	FULL BLADE KIT INCLUDES ALL BLADES, BOLTS [ETC] NEEDED FOR A BLADE CHANGE.	520612
	CONCRETE PULVERIZER		518782
	CONCRETE CRACKING		520629
MRX260	SHEAR	FULL BLADE KIT INCLUDES ALL BLADES, BOLTS [ETC] NEEDED FOR A BLADE CHANGE.	520502
	CONCRETE PULVERIZER		518782
	CONCRETE CRACKING		520541
MRX360	SHEAR	FULL BLADE KIT INCLUDES ALL BLADES, BOLTS [ETC] NEEDED FOR A BLADE CHANGE.	520652
	CONCRETE PULVERIZER		518782
	CONCRETE CRACKING		520679
MRX500	SHEAR	FULL BLADE KIT INCLUDES ALL BLADES, BOLTS [ETC] NEEDED FOR A BLADE CHANGE.	519389
	CONCRETE PULVERIZER		519354
	CONCRETE CRACKING		519386

MRX Blade Kits			
Model	Jaw Set	Description	Part Number
MRX750	SHEAR	FULL BLADE KIT INCLUDES ALL BLADES, BOLTS [ETC] NEEDED FOR A BLADE CHANGE.	520256
	CONCRETE PULVERIZER		520245
	CONCRETE CRACKING		520246

## CUTTING BLADE & TIP KITS (SHEAR JAWS ONLY)

MRX Blade Kits			
Model	Jaw Set	Description	Part Number
MRX70	CUTTING BLADE KIT	KIT INCLUDES ALL BLADES, BOLTS [ETC] NEEDED TO CHANGE THE CUTTING BLADES.	232538
MRX100	CUTTING BLADE KIT	KIT INCLUDES ALL BLADES, BOLTS [ETC] NEEDED TO CHANGE THE CUTTING BLADES.	232539
	TIP BLADE KIT	KIT INCLUDES ALL THE BLADES, BOLTS [ETC] NEEDED TO CHANGE THE TIP BLADE.	232540
MRX130	CUTTING BLADE KIT	KIT INCLUDES ALL BLADES, BOLTS [ETC] NEEDED TO CHANGE THE CUTTING BLADES.	232541
	TIP BLADE KIT	KIT INCLUDES ALL THE BLADES, BOLTS [ETC] NEEDED TO CHANGE THE TIP BLADE.	232542
MRX180	CUTTING BLADE KIT	KIT INCLUDES ALL BLADES, BOLTS [ETC] NEEDED TO CHANGE THE CUTTING BLADES.	235451
	TIP BLADE KIT	KIT INCLUDES ALL THE BLADES, BOLTS [ETC] NEEDED TO CHANGE THE TIP BLADE.	235452
MRX220	CUTTING BLADE KIT	KIT INCLUDES ALL BLADES, BOLTS [ETC] NEEDED TO CHANGE THE CUTTING BLADES.	235660
	TIP BLADE KIT	KIT INCLUDES ALL THE BLADES, BOLTS [ETC] NEEDED TO CHANGE THE TIP BLADE.	235662
MRX260	CUTTING BLADE KIT	KIT INCLUDES ALL BLADES, BOLTS [ETC] NEEDED TO CHANGE THE CUTTING BLADES.	235437
	TIP BLADE KIT	KIT INCLUDES ALL THE BLADES, BOLTS [ETC] NEEDED TO CHANGE THE TIP BLADE.	235438

MRX Blade Kits			
Model	Jaw Set	Description	Part Number
MRX360	CUTTING BLADE KIT	KIT INCLUDES ALL BLADES, BOLTS [ETC] NEEDED TO CHANGE THE CUTTING BLADES.	235704
	TIP BLADE KIT	KIT INCLUDES ALL THE BLADES, BOLTS [ETC] NEEDED TO CHANGE THE TIP BLADE.	235705
MRX500	CUTTING BLADE KIT	KIT INCLUDES ALL BLADES, BOLTS [ETC] NEEDED TO CHANGE THE CUTTING BLADES.	232550
	TIP BLADE KIT	KIT INCLUDES ALL THE BLADES, BOLTS [ETC] NEEDED TO CHANGE THE TIP BLADE.	232551
MRX750	CUTTING BLADE KIT	KIT INCLUDES ALL THE BLADES, BOLTS [ETC] NEEDED TO CHANGE THE TIP BLADE.	234311
	TIP BLADE KIT		234313

## WEAR KITS

MRX Wear Kits			
Model	Jaw Set	Description	Part Number
MRX70	SHEAR	FULL WEAR KIT INCLUDES ALL TEETH, BOLTS [ETC] NEEDED TO REPLACE THE WEAR ITEMS.	-
	CONCRETE PULVERIZER		519528
	CONCRETE CRACKING		519531
MRX100	SHEAR	FULL WEAR KIT INCLUDES ALL TEETH, BOLTS [ETC] NEEDED TO REPLACE THE WEAR ITEMS.	-
	CONCRETE PULVERIZER		519604
	CONCRETE CRACKING		519606
MRX130	SHEAR	FULL WEAR KIT INCLUDES ALL TEETH, BOLTS [ETC] NEEDED TO REPLACE THE WEAR ITEMS.	-
	CONCRETE PULVERIZER		519318
	CONCRETE CRACKING		519327
MRX180	SHEAR	FULL WEAR KIT INCLUDES ALL TEETH, BOLTS [ETC] NEEDED TO REPLACE THE WEAR ITEMS.	-
	CONCRETE PULVERIZER		520579
	CONCRETE CRACKING		520583
MRX220	SHEAR	FULL WEAR KIT INCLUDES ALL TEETH, BOLTS [ETC] NEEDED TO REPLACE THE WEAR ITEMS.	-
	CONCRETE PULVERIZER		520622
	CONCRETE CRACKING		520625

MRX Wear Kits

Model	Jaw Set	Description	Part Number
MRX260	SHEAR	FULL WEAR KIT INCLUDES ALL TEETH, BOLTS [ETC] NEEDED TO REPLACE THE WEAR ITEMS.	-
	CONCRETE PULVERIZER		520538
	CONCRETE CRACKING		520542
MRX360	SHEAR	FULL WEAR KIT INCLUDES ALL TEETH, BOLTS [ETC] NEEDED TO REPLACE THE WEAR ITEMS.	-
	CONCRETE PULVERIZER		520682
	CONCRETE CRACKING		520685
MRX500	SHEAR	FULL WEAR KIT INCLUDES ALL TEETH, BOLTS [ETC] NEEDED TO REPLACE THE WEAR ITEMS.	-
	CONCRETE PULVERIZER		519821
	CONCRETE CRACKING		519824
MRX750	SHEAR	FULL WEAR KIT INCLUDES ALL TEETH, BOLTS [ETC] NEEDED TO REPLACE THE WEAR ITEMS.	-
	CONCRETE PULVERIZER		519821
	CONCRETE CRACKING		519824

# LABOUNTY®

Additional copies of this manual are available by contacting your dealer or the LaBounty parts department, and requesting a CE Operation & Maintenance manual. You must include the attachment model number and serial number.