

STANLEY®

PBCC65 CUTTING TOOL



USER MANUAL Safety, Operation and Maintenance



© 2017 STANLEY Black & Decker, Inc.
New Britain, CT 06053
U.S.A.
81144 3/2022 Ver. 5

TABLE OF CONTENTS

SAFETY SYMBOLS.....	4
SAFETY PRECAUTIONS	5
TOOL ANATOMY	6
SPECIFICATIONS & ACCESSORIES	7
OPERATION	8
REPLACING THE BLADES	9
TROUBLESHOOTING	10
PBCC65 PARTS ILLUSTRATION.....	11
PBCC65 PARTS LIST.....	12
PBCC65 HYDRAULIC BODY ILLUSTRATION	13
PBCC65 RESERVOIR PARTS LIST	14
PBCC65 CUTTING HEAD.....	15

IMPORTANT

To fill out a product warranty validation form, and for information on your warranty, visit www.stanleyinfrastructure.com and select the Company tab > Warranty.

Note: The warranty validation record must be submitted to validate the warranty.

SERVICING: This manual contains safety, operation and routine maintenance instructions. STANLEY Infrastructure recommends that servicing of hydraulic tools, other than routine maintenance, must be performed by an authorized and certified dealer. Please read the following warning.

⚠ WARNING

SERIOUS INJURY OR DEATH COULD RESULT FROM THE IMPROPER REPAIR OR SERVICE OF THIS TOOL.

REPAIRS AND / OR SERVICE TO THIS TOOL MUST ONLY BE DONE BY AN AUTHORIZED AND CERTIFIED DEALER.

For the nearest certified dealer, call STANLEY Infrastructure at (503) 659-5660 and ask for a Customer Service Representative.

SAFETY PRECAUTIONS

Tool operators must comply with precautions given in this manual and on the stickers attached to the tool.

These precautions are given for your safety. Review them carefully before operating the tool.

Supervising personnel should develop additional precautions relating to the specific work area and local safety regulations. Place the added precautions in the space provided on page 4.

PBCC65 6-Ton cable cutting tool will provide safe and dependable service if operated in accordance with the instructions in this manual. Read and understand this manual and stickers attached to the tool before operation. Failure could result in injury or tool damage.



- Do not operate the tool unless thoroughly trained or under the supervision of an instructor. Establish a training program for all operators to ensure safe operation.
- Always wear safety equipment such as eye protection, ear protection, head protection and safety shoes at all times when operating the tool. Use gloves if necessary.
- The operator must be familiar with all prohibited work areas such as excessive slopes and dangerous terrain conditions. Ensure that your footing is firm and in balance at all times.
- Do not inspect, clean or replace parts while the battery is connected. Accidental engagement of the tool can cause serious injury.
- Do not operate a damaged, improperly adjusted or incompletely assembled tool.
- Never wear loose clothing that can become entangled in the working parts of the tool.
- Keep all parts of your body away from pinch points. Long hair or loose clothing can become drawn into the tool.
- To avoid personal injury or equipment damage, all tool repair, maintenance and service must be performed by an authorized service center.
- Never use the tool in the vicinity of flammable materials or gases.
- Do not use the tool or charge the tool battery in an explosive atmosphere.
- Cutting or severing of body parts is possible if proper procedures are not followed.
- Do not use the tool, battery or battery charger for purposes other than what is described in this manual.

- Always keep critical tool markings, such as labels and warning stickers, legible. Contact STANLEY for replacement labels.
- Do not use the tool while under the influence of drugs or alcohol.
- Do not use accessories or attachments other than those recommended by STANLEY.

BATTERIES

- Only charge batteries with a STANLEY recommended battery charger.
- Do not store batteries with metal objects, such as coins, nails or keys. Fire can result if battery terminals are shorted.
- Do not charge a damaged battery. Recycle damaged batteries and replace them with batteries recommended by STANLEY.
- Do not incinerate or dispose of batteries in the garbage. Recycle the batteries.
- Do not expose the battery to temperatures over 265°F. Batteries may explode at high temperatures.
- Leakage of liquid from the battery may occur under extreme use or high temperatures. If battery liquid gets on your skin:
 1. Wash quickly with soap and water.
 2. If the liquid gets in your eyes, flush your eyes with clean water for 10 minutes. Seek medical attention immediately.
- Never open the battery.

BATTERY CHARGER

- Do not use the battery charger if the cord is damaged.
- Do not place the charger, or set items on or near the charger, in such a way as to block airflow to the charger.
- Do not use the charger with an extension cord unless absolutely necessary. Use a cord with the proper wire size for its length, as described in Table 1.

Length of Cord (Feet)	25	50	100	150
Wire Size (AWG)	18	18	18	16

Table 1: Extension Cord Wire Size

- Do not open the charger or attempt to modify it in any way.
- Disconnect the charger from power before attempting to clean it.
- Do not connect the charger to a transformer or engine generator.

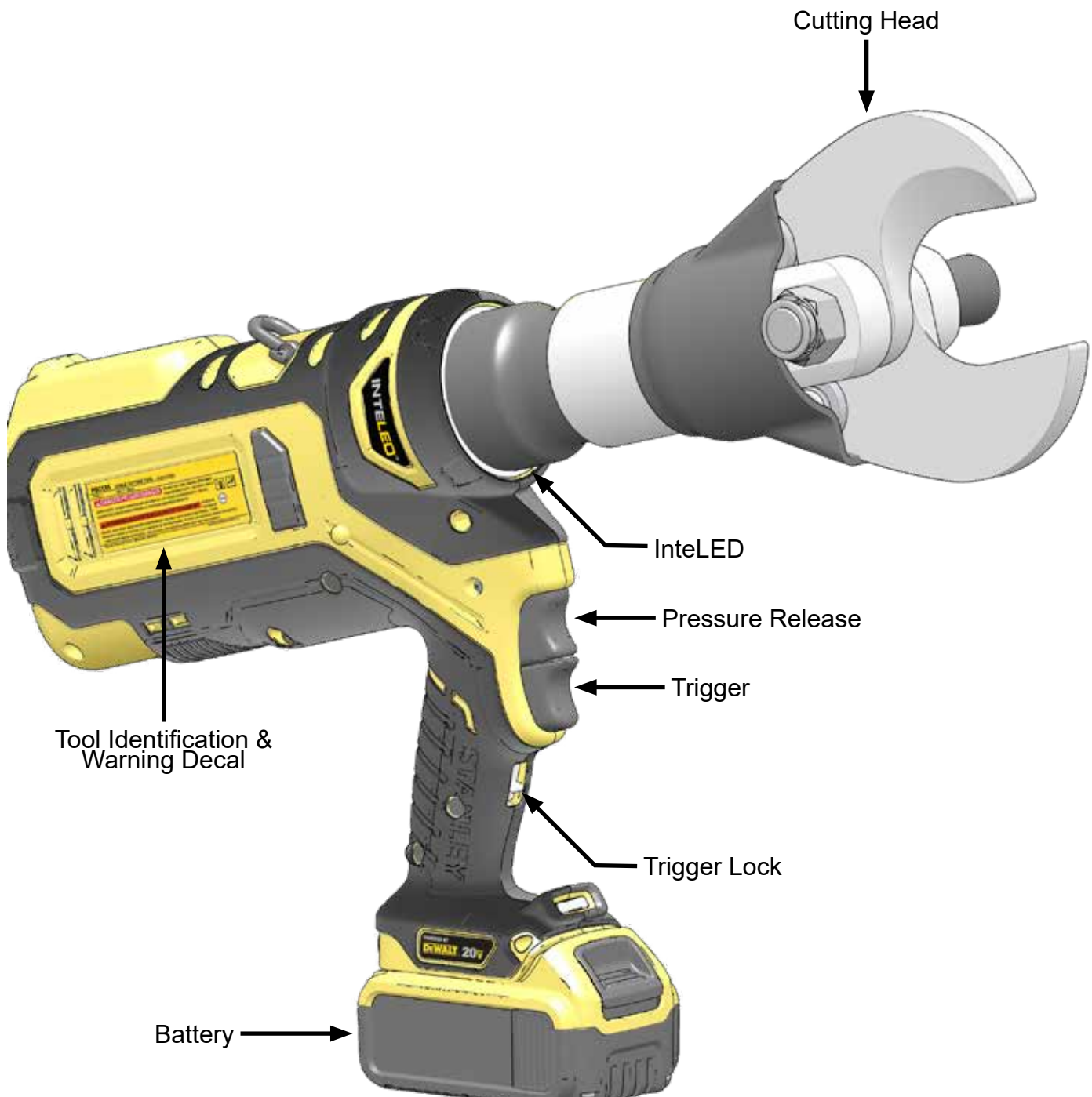
TOOL ANATOMY

WHAT IS THE PBCC65 CUTTING TOOL?

The PBCC65 is a battery powered 6-ton cable cutting tool with a 2.55 inch scissor head. The PBCC65 is capable of cutting copper and aluminum cable and rod up to 2.5 Inches in diameter.

⚠ DANGER

DO NOT put fingers, hands or other body parts between the cutting head. Serious injury will result!



SPECIFICATIONS & ACCESSORIES

SPECIFICATIONS

Cutting Force	6 Tons (58.8 kN)
Cutting Capacity	Copper & Aluminum to 2.5"
Jaw Type	2.55" Scissor
Estimated Cuts per Battery Charge	80
Tool Cycle Time	7.2 Seconds
Battery Type	DEWALT 20V Max, 5 amp/hour
Tool Weight	16.5 Lbs.
Tool Length	20.8 Inches
Maintenance Interval	15,000 Cycles

ACCESSORIES

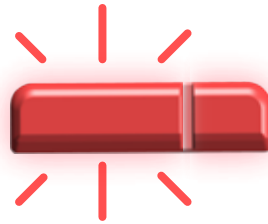
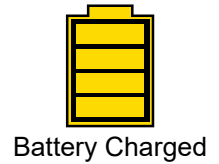
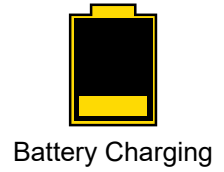
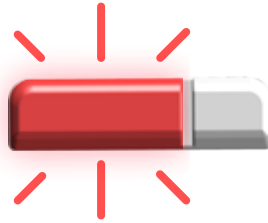
5 Amp/hour Lithium Ion Battery	81188
120V AC Charger	81189
12V DC Charger	DCB119

Note: Only use battery chargers recommended by STANLEY.

Bucket Bag	BB01
------------------	------

OPERATION

CHARGE BATTERY



USING THE PBCC65

⚠ DANGER

DO NOT put fingers, hands or other body parts between the cutting head. Serious injury will result!



1. Set the trigger lock.
2. Insert battery.
3. Fasten the cutting head around the cable.
4. Release the trigger lock. Press and hold the trigger until the cable is cut. Press and hold the pressure release to open the cutting head.

Note: Release the trigger to immediately stop the tool. Press the pressure release at any time to open the jaws.

OPERATION

INTELED SYSTEM

The InteLED light ring shows the status of the cut in real-time.

White - The tool is cutting. InteLED will stay lit for 30 seconds after the cut is complete.

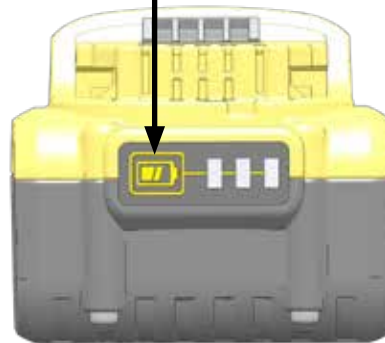
Green - The tool has developed full hydraulic pressure during the cut.

Red - The tool did not develop full pressure during the cut. You may need to cycle the tool again.

CHECKING BATTERY CHARGE



Battery Charge Button



75 - 100% Charged



51 - 74% Charged



Less than 50% Charged

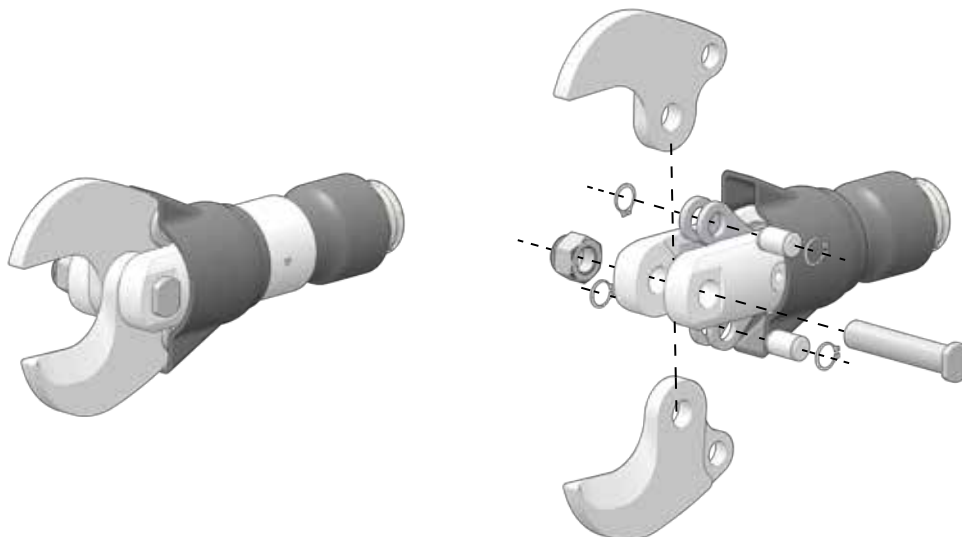


Charge Battery

REPLACING THE BLADES

⚠ DANGER

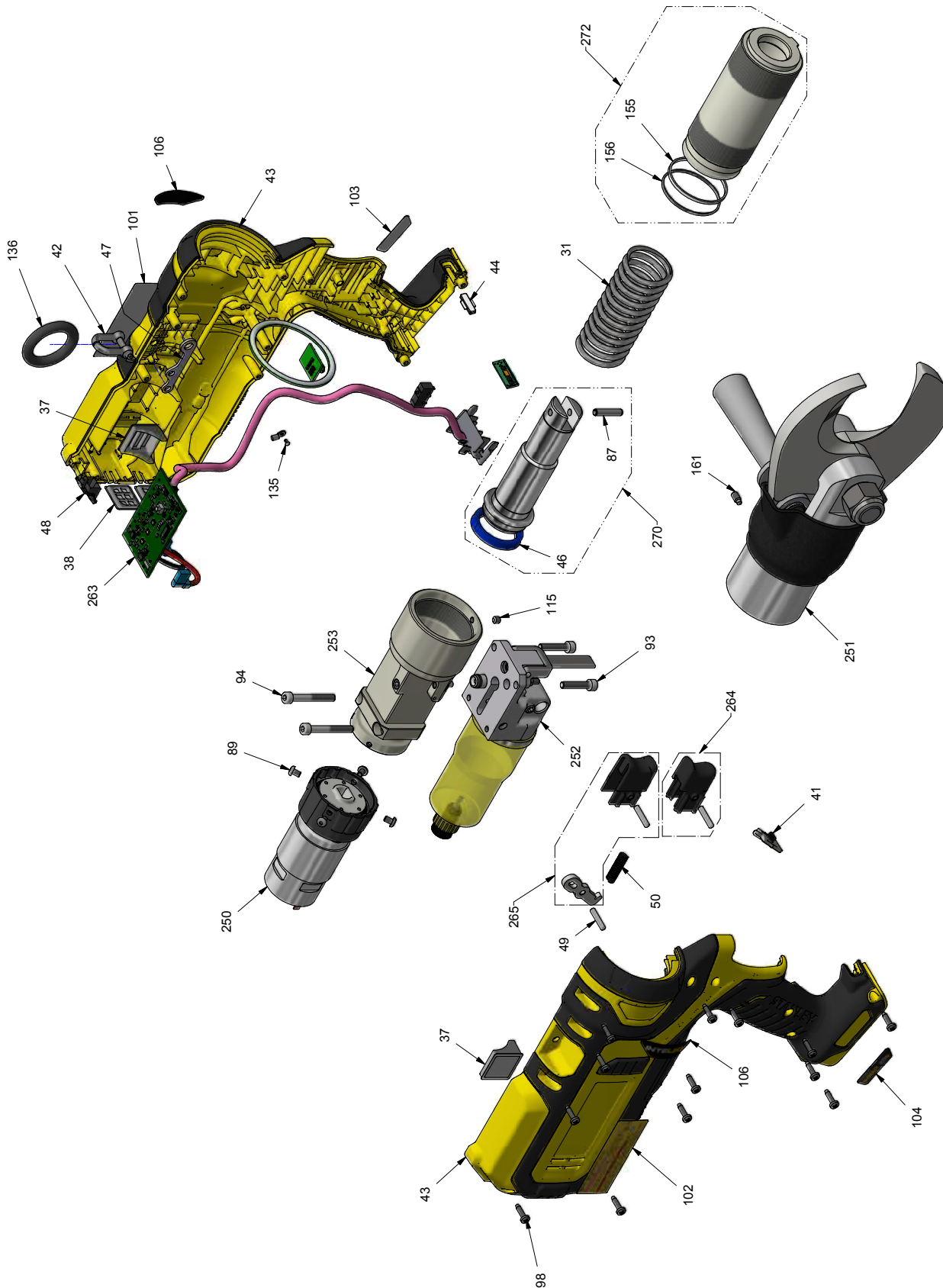
DO NOT install or change blades while the battery is connected to the tool. Disconnect the battery **BEFORE** installing or changing blades.



TROUBLESHOOTING

Problem	Solution
The head pin won't fit through the hole in the cutting head.	Press and hold the pressure release. Ensure the two halves of the cutting head are aligned. Close the cutting head and insert the head pin.
The tool won't cut when I press the trigger.	Ensure the battery is charged. Disengage the trigger lock.
The InteLED flashes yellow when I activate the tool.	The maintenance interval is about to elapse. Have the tool serviced as soon as possible.
The tool repeatedly give me bad cuts / The InteLED flashes red after every crimp.	Ensure the battery is fully charged. Ensure the blades are in good condition. If problem persists, have the tool serviced as soon as possible.
The tool is leaking hydraulic oil.	Have the tool serviced immediately.

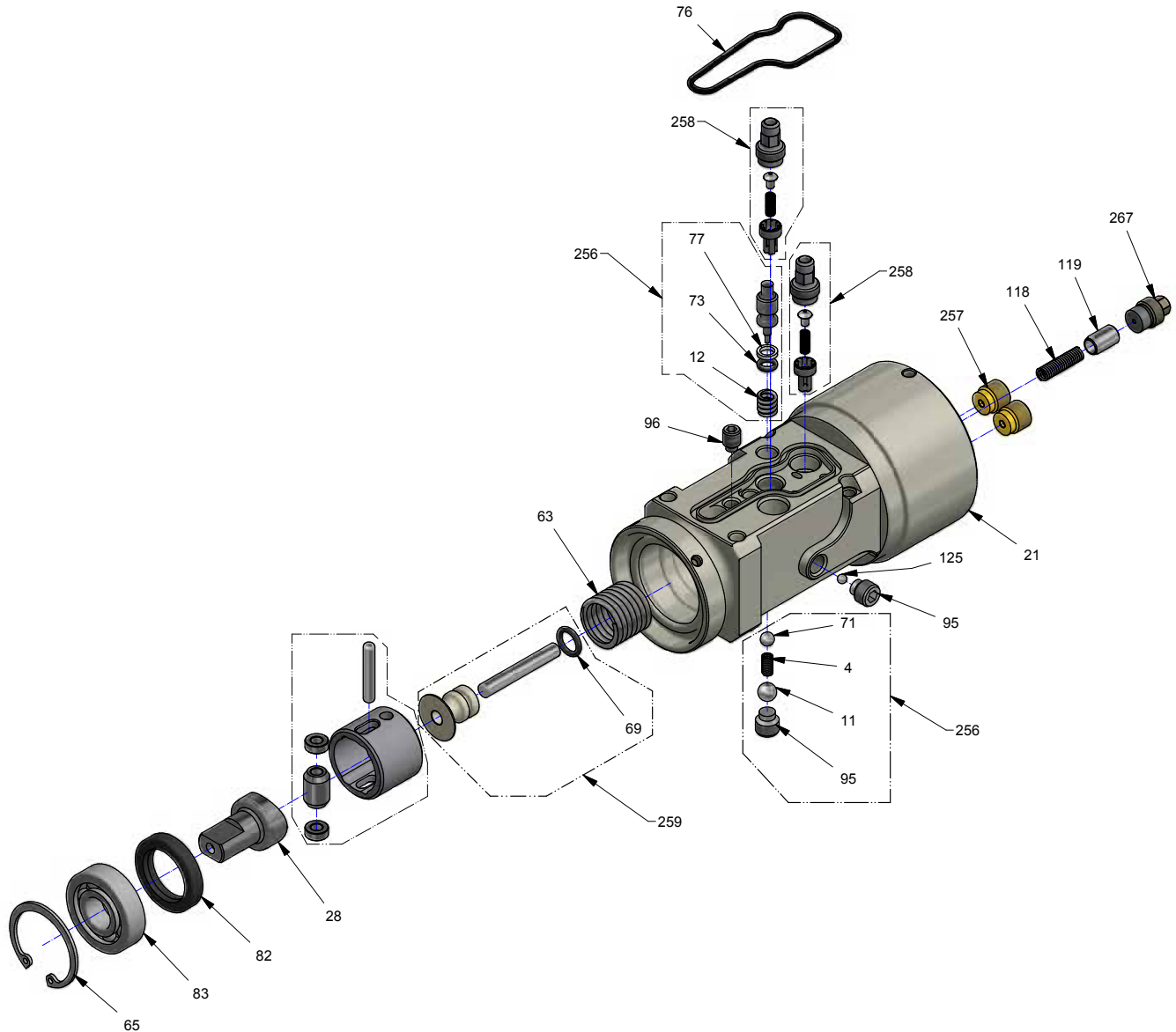
PBCC65 PARTS ILLUSTRATION



PBCC65 PARTS LIST

ITEM	P/N	QTY	DESCRIPTION
31	36056DUB	1	Spring
37	91649	2	Side Membrane
38	91650	2	Rear Membrane
41	91655	1	Trigger Lock
42	77058-01	1	Shackle
43	91593-STA	1	Housing Set
44	91439	1	LED
46	JP324060	1	Seal
47	77051-01	1	Shackle Holder
48	91410	1	USB Cover
49	AIG4X19.8BP	1	Calibrated Pin
50	77061	1	Spring
87	AGEM5.24	1	Elastic Pin
89	VAV04CB006	4	Screw
93	VAV05HC025	2	Screw
94	VAV05HC040	2	Screw
98	VAV3.5TC014ZN	13	Screw
101	91633	1	STANLEY Label
102	91643	1	PBCC65 Label
103	91634	1	"Powered by De-Walt" Label - Left
104	91635	1	"Powered by De-Walt" Label - Right
106	91636	2	IntelLED Label
115	VAV05CV005	1	Screw
135	ACKR0204	1	Grooved Pin
136	91465	1	Strap Ring
155	JAE4500125	1	Anti-Extrusion Ring
156	J3740180	1	O-Ring
161	VAV05TT010	1	Screw
250	91856	1	Motor Reduction Unit
251	91804C	1	Cutting Head Unit
252		1	Reservoir Unit
253		1	Hydraulic Unit
263	92886	1	Electronic Device
264	77853-STA	1	Advance Trigger Unit
265	77854-DEW	1	Release Trigger Unit
270	91837C	1	Piston Unit
272	91844C-01	1	Sleeve Unit

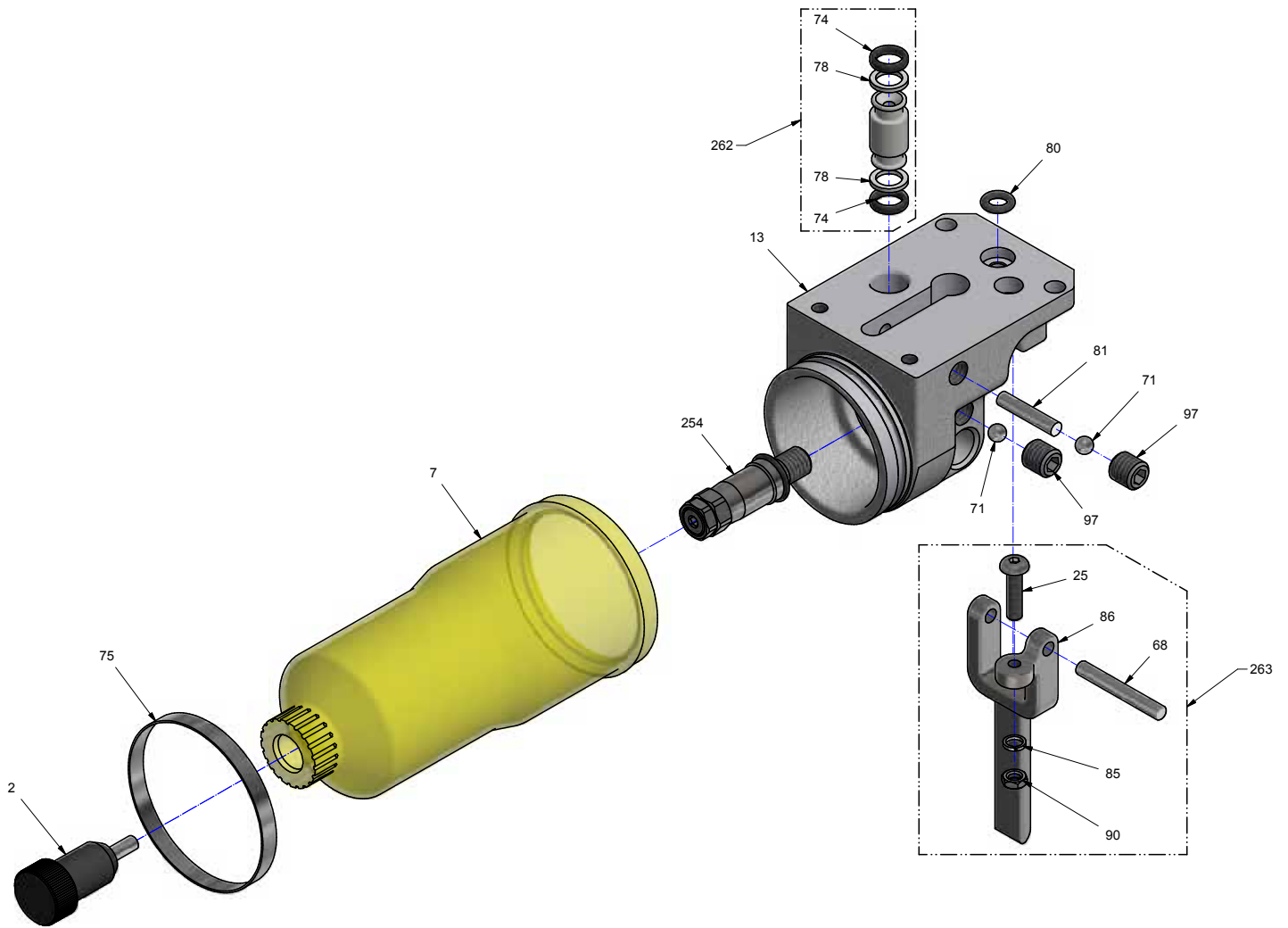
PBCC65 HYDRAULIC BODY ILLUSTRATION



ITEM	P/N	QTY	DESCRIPTION
4	77504	1	Spring
11	BILL06.35	1	Ball
12	30189DUB	1	Spring
21	91571	1	Hydraulic Body
28	77026-04	1	Spring
63	87213	1	Spring
65	AAIN30	1	Circlip
69	J0720190	1	O-Ring
71	BILL04.76	1	Ball
73	J0290178PU70	1	O-Ring
76	J4300200	1	O-Ring
77	JAE0500100	1	Anti-extrusion Ring
82	JSR1927205	1	Wiper Ring
83	R1B12.30.08Z	1	Ball Bearing

ITEM	P/N	QTY	DESCRIPTION
95	VIV08TT008	2	Screw
96	VAV06TT008	1	Screw
118	77030	1	Spring
119	77016	1	Sliding Part
125	BILL03.175	1	Ball
256	77803	1	Release Device
257	77805-01	2	Delivery Valve Unit
258	77806-01	1	Suction Valve Unit
259	77848C-02	1	Spring Collar Unit
260	77849C	1	Cam Compartment Unit
267	77804C	1	Commutator

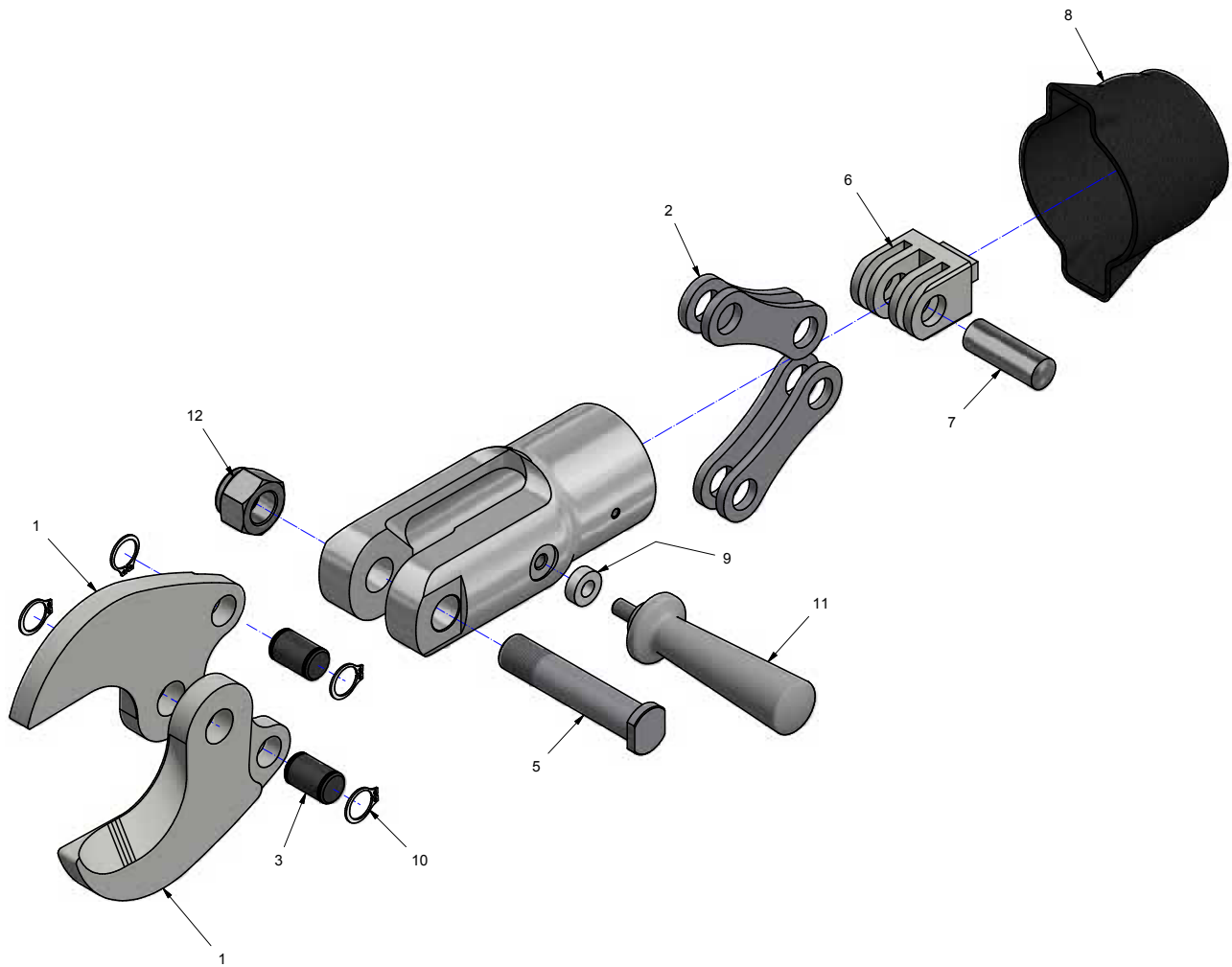
PBCC65 RESERVOIR PARTS LIST



ITEM	P/N	QTY	DESCRIPTION
2	30176DUB	1	Reservoir Plug
7	91569	1	Oil Reservoir
13	77009-02	1	Reservoir Body
25	VAV04CB015	1	Screw
68	AIG4X29.8BP	1	Calibrated Pin
71	BILL04.76	2	Ball
74	J0640190	2	O-Ring
75	91576	1	Metal Clamp
78	JAE0700150	2	Anti-extrusion Ring
80	J0420250	1	O-Ring
81	ZBINA420	1	Magnet Pin
85	VAR04W	1	Washer
86	91232	1	Release Trigger
90	VAE04	1	Nut
97	VAV08BP008	2	Screw

ITEM	P/N	QTY	DESCRIPTION
254	92884-07	1	Overload Valve
262	77851C	1	Bodies Connector
263	77852-DEW	1	Release Lever Unit

PBCC65 CUTTING HEAD



ITEM	P/N	QTY	DESCRIPTION
1	78441	2	Blade
2	78442	4	Rod
3	78443	2	Rod Axis
4	78444	1	Double Fork Head
5	78445	1	Axis
6	78446	1	Rods Holder
7	78447	1	Rods Holder Axis
8	78106	1	Protection Cover
9	91360	1	Washer
10	AAEN16I	4	Elastic Ring

ITEM	P/N	QTY	DESCRIPTION
11	MELE20306	1	Removeable Handle
12	VAE18FN	1	Locking Nut

STANLEY®

STANLEY Infrastructure
6430 SE Lake Road
Portland, Oregon 97222 USA
(503) 659-5660 / Fax (503) 652-1780
www.stanleyinfrastructure.com