

STANLEY®

PBD1200 CRIMPING TOOL



USER MANUAL Safety, Operation and Maintenance



© 2017 STANLEY Black & Decker, Inc.
New Britain, CT 06053
U.S.A.
81150 3/2022 Ver. 3

TABLE OF CONTENTS

SAFETY SYMBOLS.....	4
SAFETY PRECAUTIONS	5
TOOL ANATOMY	6
SPECIFICATIONS & ACCESSORIES	7
OPERATION	8
STANLEY CRIMP SOFTWARE	9
TROUBLESHOOTING	14
PBD1200 PARTS ILLUSTRATION	15
PBD1200 PARTS LIST	16
PBD1200 RESERVOIR UNIT.....	17
PBD1200 HYDRAULIC UNIT	18

IMPORTANT

To fill out a product warranty validation form, and for information on your warranty, visit www.stanleyinfrastructure.com and select the Company tab > Warranty.

Note: The warranty validation record must be submitted to validate the warranty.

SERVICING: This manual contains safety, operation and routine maintenance instructions. STANLEY Infrastructure recommends that servicing of hydraulic tools, other than routine maintenance, must be performed by an authorized and certified dealer. Please read the following warning.

⚠ WARNING

SERIOUS INJURY OR DEATH COULD RESULT FROM THE IMPROPER REPAIR OR SERVICE OF THIS TOOL.

REPAIRS AND / OR SERVICE TO THIS TOOL MUST ONLY BE DONE BY AN AUTHORIZED AND CERTIFIED DEALER.

For the nearest certified dealer, call STANLEY Infrastructure at (503) 659-5660 and ask for a Customer Service Representative.

SAFETY PRECAUTIONS

Tool operators must comply with precautions given in this manual and on the stickers attached to the tool.

These precautions are given for your safety. Review them carefully before operating the tool.

Supervising personnel should develop additional precautions relating to the specific work area and local safety regulations. Place the added precautions in the space provided on page 4.

The PBD1200 12-Ton crimping tool will provide safe and dependable service if operated in accordance with the instructions in this manual. Read and understand this manual and stickers attached to the tool before operation. Failure could result in injury or tool damage.



- Do not operate the tool unless thoroughly trained or under the supervision of an instructor. Establish a training program for all operators to ensure safe operation.
- Always wear safety equipment such as eye protection, ear protection, head protection and safety shoes at all times when operating the tool. Use gloves if necessary.
- The operator must be familiar with all prohibited work areas such as excessive slopes and dangerous terrain conditions. Ensure that your footing is firm and in balance at all times.
- Do not inspect, clean or replace tool jaw parts while the battery is connected. Accidental engagement of the tool can cause serious injury.
- Do not operate a damaged, improperly adjusted or incompletely assembled tool.
- Never wear loose clothing that can become entangled in the working parts of the tool.
- Keep all parts of your body away from pinch points. Long hair or loose clothing can become drawn into the tool.
- To avoid personal injury or equipment damage, all tool repair, maintenance and service must be performed by an authorized service center.
- Never use the tool in the vicinity of flammable materials or gases.
- Do not use the tool or charge the tool battery in an explosive atmosphere.
- Cutting or severing of body parts is possible if proper procedures are not followed.
- Do not use the tool, battery or battery charger for purposes other than what is described in this manual.

- Always keep critical tool markings, such as labels and warning stickers, legible. Contact STANLEY for replacement labels.
- Do not use the tool while under the influence of drugs or alcohol.
- Do not use accessories or attachments other than those recommended by STANLEY.

BATTERIES

- Only charge batteries with a STANLEY recommended battery charger.
- Do not store batteries with metal objects, such as coins, nails or keys. Fire can result if battery terminals are shorted.
- Do not charge a damaged battery. Recycle and replace damaged batteries with batteries recommended by STANLEY.
- Do not incinerate or dispose of batteries in the garbage. Recycle the batteries.
- Do not expose the battery to temperatures over 265°F. Batteries may explode at high temperatures.
- Leakage of liquid from the battery may occur under extreme use or high temperatures. If battery liquid gets on your skin:
 1. Wash quickly with soap and water.
 2. If the liquid gets in your eyes, flush your eyes with clean water for 10 minutes. Seek medical attention immediately.
- Never open the battery.

BATTERY CHARGER

- Do not use the battery charger if the cord is damaged.
- Do not place the charger, or set items on or near the charger, in such a way as to block airflow to the charger.
- Do not use the charger with an extension cord unless absolutely necessary. Use a cord with the proper wire size for its length, as described in Table 1.

Length of Cord (Feet)	25	50	100	150
Wire Size (AWG)	18	18	18	16

Table 1: Extension Cord Wire Size

- Do not open the charger or attempt to modify it in any way.
- Disconnect the charger from power before attempting to clean it.
- Do not connect the charger to a transformer or engine generator.

TOOL ANATOMY

WHAT IS THE PBD1200 CRIMPING TOOL?

The PBD1200 is a battery powered 12-Ton cable crimping tool with a 1 inch "C" style head. The PBD1200 accepts standard "U" dies and is capable of crimping copper connectors to 500 MCM and aluminum connectors to 636 MCM.

⚠ DANGER

DO NOT put fingers, hands or other body parts inside the crimping head. Serious injury will result!



SPECIFICATIONS & ACCESSORIES

SPECIFICATIONS

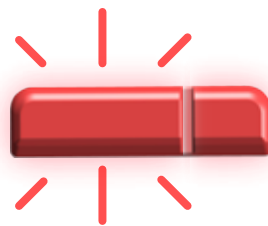
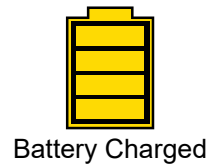
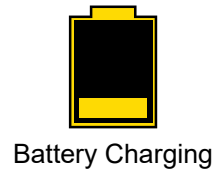
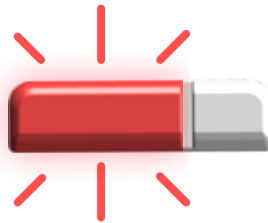
Crimping Force	12 Tons (117.6 kN)
Crimping Capacity	Copper Connectors to 500 MCM Aluminum Connectors to 636 MCM
Jaw Type	1 Inch C Head
Die Type	Standard U Dies
Battery Type	DEWALT 20V Max, 5 amp/hour
Estimated Crimps per Battery Charge	100
Tool Cycle Time	6.8 Seconds
Tool Weight	14.75 Lbs.
Tool Length	15.5 Inches
Maintenance Interval	15,000 Cycles

ACCESSORIES

5 Amp/hour DEWALT 20V Max Battery	81188
120V AC Charger	81189
12V DC Charger	DCB119
Note: Only use battery chargers recommended by STANLEY.	
Bucket Bag	BB01

OPERATION

CHARGE BATTERY



USING THE PBD1200



⚠ DANGER

Set the Trigger Lock **BEFORE** inserting or removing dies from the Crimping Head.

1. Set the trigger lock.
2. Insert battery.
3. Insert the die into the crimping head.
4. Insert the cable ends into the die.
5. Release the trigger lock. Press and hold the trigger until the die is crimped. Press and hold the pressure release to open the crimping head.

Note: Release the trigger to immediately stop the tool. Press the pressure release at any time to open the jaws.

OPERATION

INTELED SYSTEM

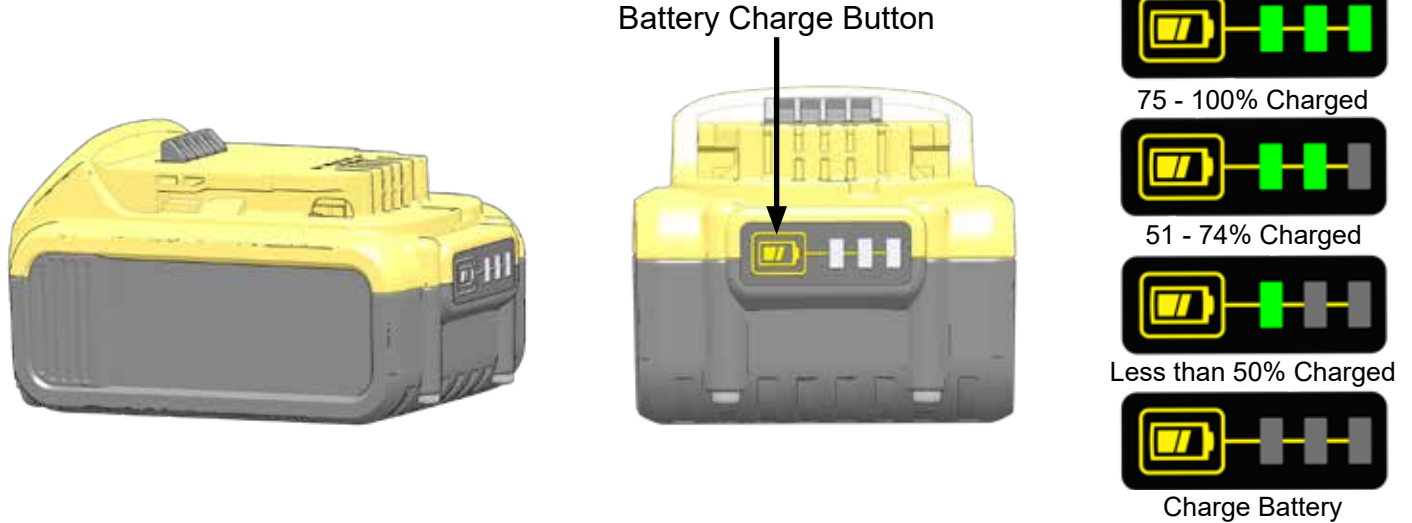
The InteLED light ring shows you the status of the crimp in real-time.

White - The tool is crimping. InteLED will stay lit for 30 seconds after the crimp is complete.

Green - The tool has developed full hydraulic pressure during the crimp. The crimp is good.

Red - The tool did not develop full pressure during the crimp. Crimp again.

CHECKING BATTERY CHARGE



STANLEY CRIMP SOFTWARE

STANLEY Crimp software provides valuable data about each crimp. It is also required to update the tool firmware.

INSTALLATION

1. Download the STANLEY Crimp software from the STANLEY Infrastructure website.

www.stanleyinfrastructure.com/products/cordless-td

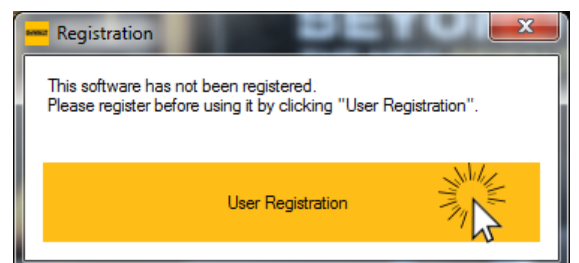
Note: STANLEY Crimp software requires a minimum of Windows XP SP3 running with administrator rights.

2. Follow the prompts on screen to complete installation.
3. Connect PBD1200 to a PC using a micro USB cable.

Note: InteLED will shine blue when connected.

FIRST RUN

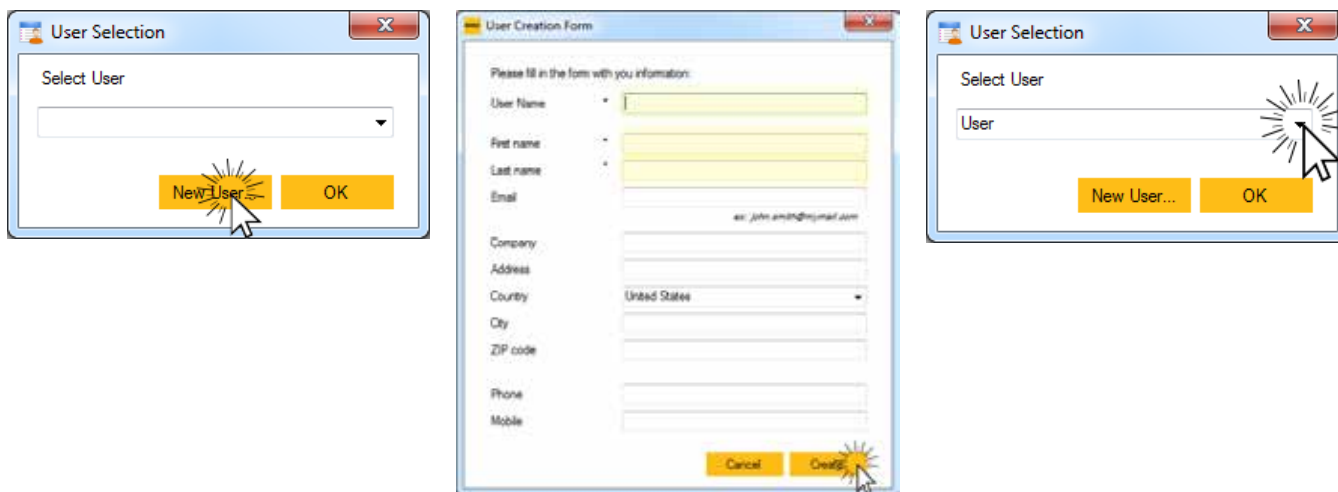
1. Run the software using the STANLEY Crimp software icon on your Windows desktop.
2. You will be prompted to register your software. Left click the "User Registration" button.
3. Fill out the registration form and click "Register".



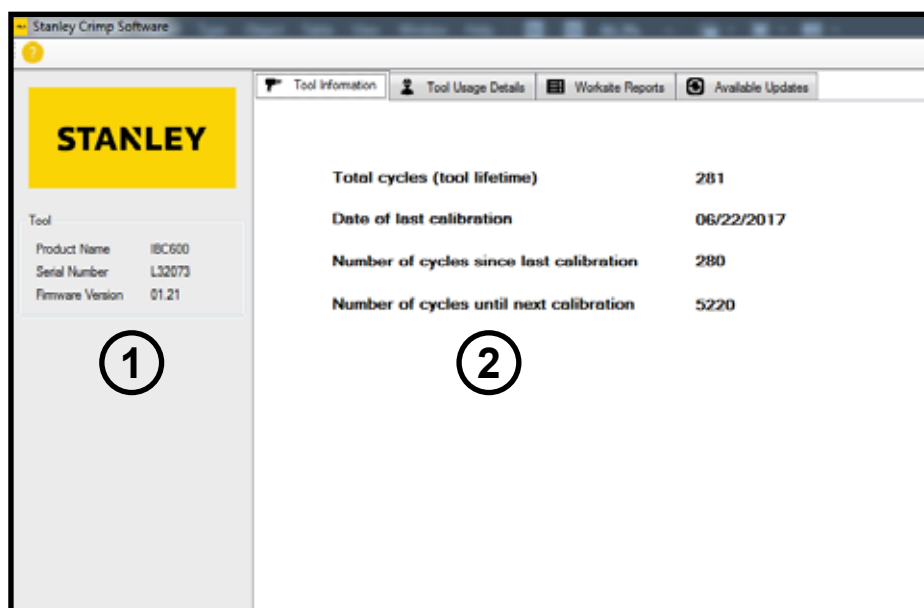
OPERATION

USER SELECTION

1. Click the “New User” button
2. Enter the required user information and click “Create”.
3. Select a user and click “OK”.



TOOL INFORMATION



The Tool Information tab displays important data about the PBD1200.

1. Displays the product type, serial number and firmware version of the tool.
2. Basic data relating to the life and service interval of the tool.

OPERATION

TOOL USAGE DATA

Time Stamp	Cycle Complete	Current (Amps)	Voltage (V)	Temperature (F/C)
06/21/2017 22:48	Yes	13.3	19.2	37 / 3
06/21/2017 23:41	Yes	16.4	19.4	80 / 27
06/21/2017 23:42	Yes	15	19.4	80 / 27
06/21/2017 23:43	No	16.2	19.3	80 / 27
06/21/2017 23:43	Yes	16.7	19.3	80 / 27
06/21/2017 23:43	Yes	16.1	19.3	80 / 27
06/21/2017 23:43	No	16.5	19.3	80 / 27
06/21/2017 23:43	Yes	16.4	19.3	80 / 27
06/21/2017 23:43	No	16.1	19.3	80 / 27
06/22/2017 00:01	No	14.3	19.4	80 / 27
06/22/2017 23:50	No	14.8	19.5	80 / 27
06/22/2017 23:50	Yes	18.7	19.5	86 / 30
06/22/2017 23:50	Yes	19.3	19.6	84 / 29
07/31/2017 17:02	Yes	19.3	20.2	86 / 30
08/04/2017 09:01	Yes	15.5	20.1	82 / 28
08/04/2017 09:01	No	15.9	20.1	82 / 28

The Tool Usage Data tab displays information about individual tool cycles.

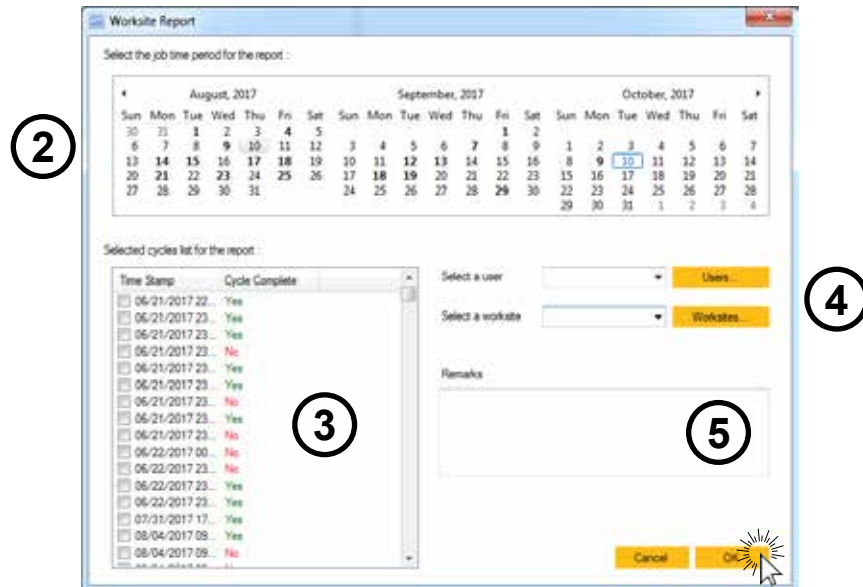
1. Displays the total number of tool cycles, as well as completed and incomplete cycles.
1. The data log shows each cycle, up to 250,000 cycles. Each entry into the log includes;
 - Date and time of each crimp
 - If the cycle completed successfully
 - Amperage and Voltage of the tool during each crimp
 - Tool temperature at the end of each crimp
2. Data log sorting filters. Allows you to sort the crimp data in the data log.

WORKSITE REPORTS

Worksite	Tool	Serial Number	Version	Date	Total	Complete	Not Complete
----------	------	---------------	---------	------	-------	----------	--------------

OPERATION

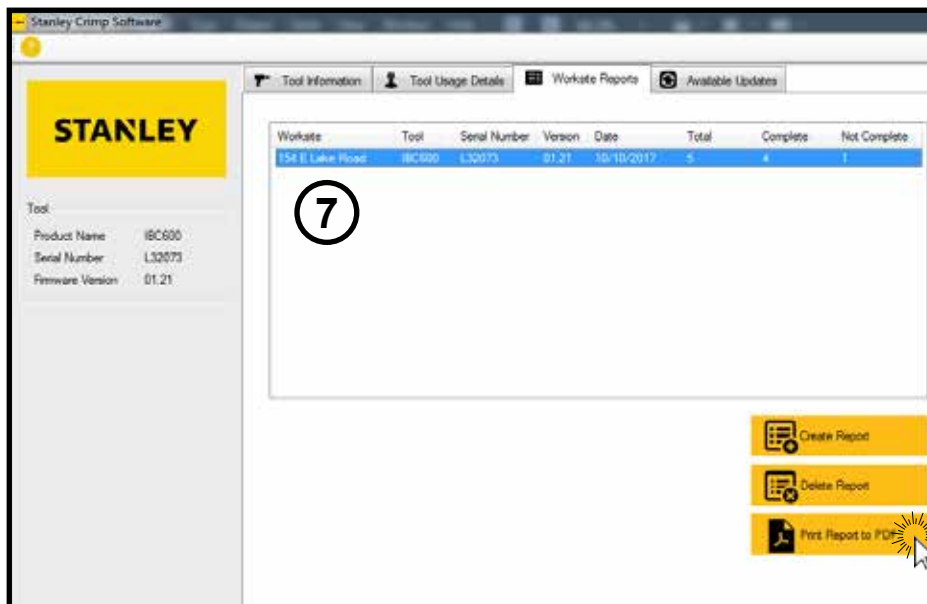
The Worksite Reports tab allows you to group data log entries into a complete tool cycle report.



1. Click “Create Report”.
2. Select the date range of the job you are reporting.
3. Select the crimp cycles you want to include in the report.
4. Select a user and a worksite.

Note: If this is the first time using the software, press the “Worksites” button to create a worksite.

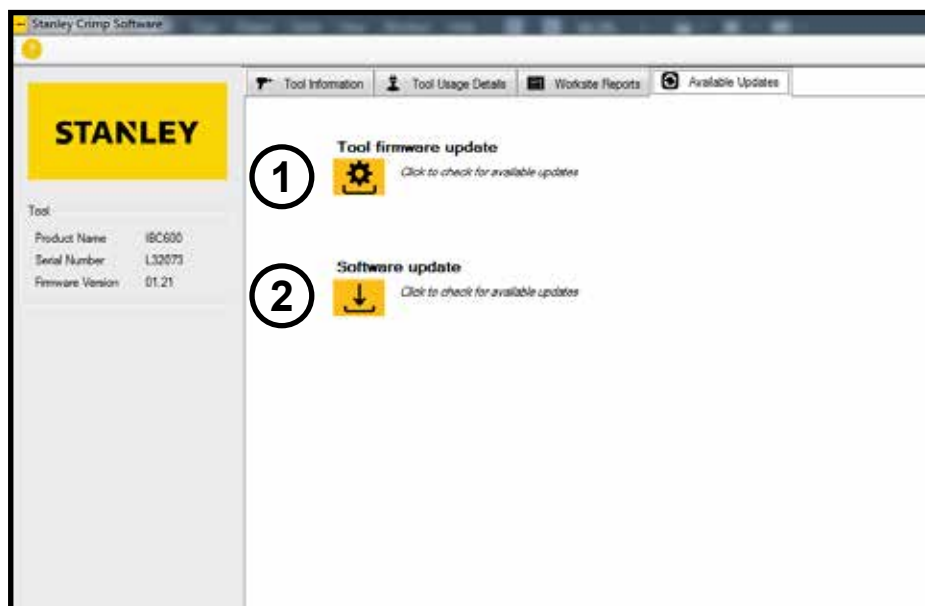
5. Enter notes about the job in the Remarks field.
6. Click “OK” when finished.



7. Select a report from the reports list.
8. Click “Print Report to PDF” to export the Worksite Report.

OPERATION

AVAILABLE UPDATES



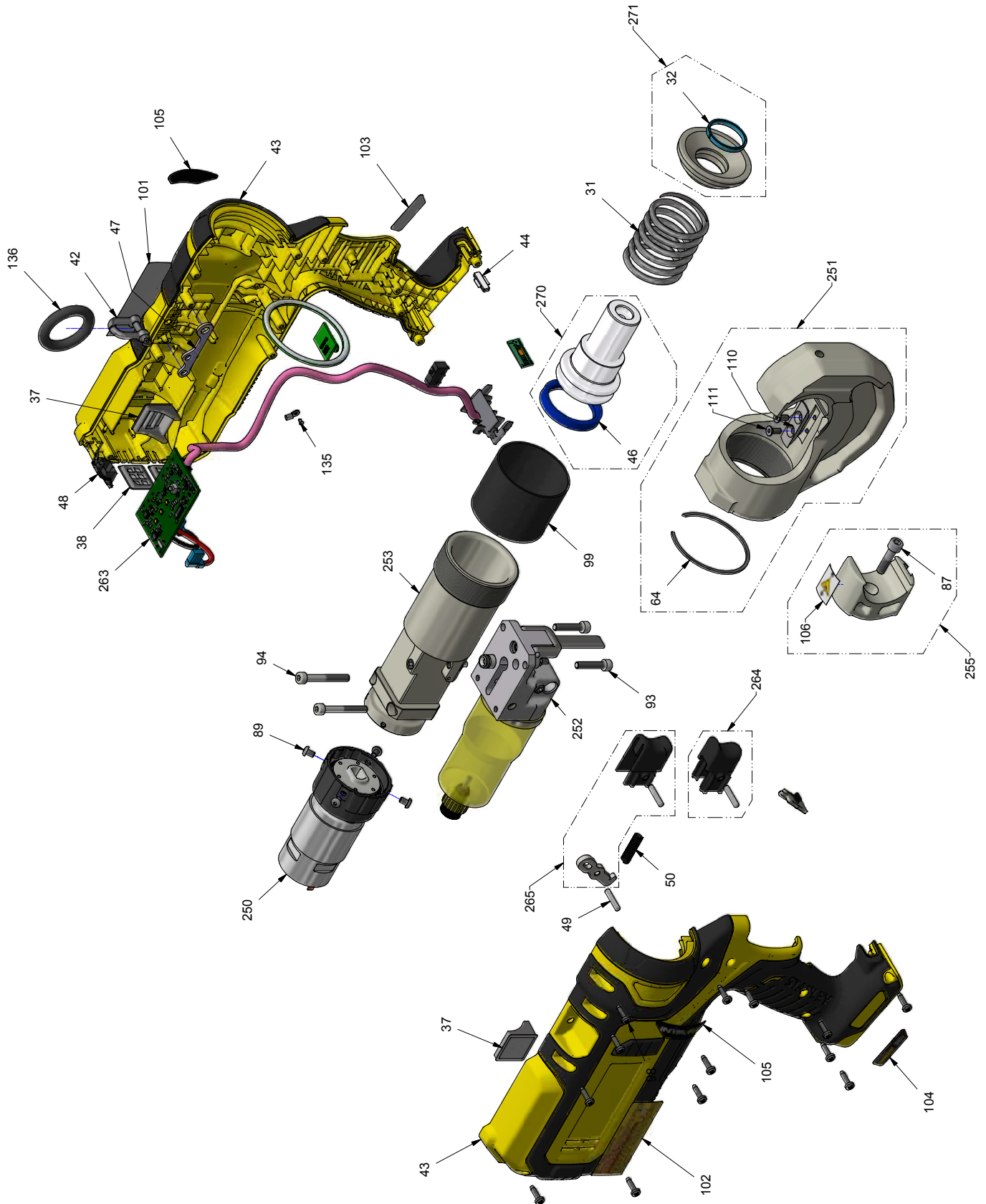
The Available Updates tab will allow you to update the tool firmware and update STANLEY Crimp software.

1. Tool Firmware Update button. When clicked, this will begin to tool firmware update process. Do not unplug the tool during this process.
2. Software Update button. When clicked, this will update the STANLEY Crimp software, if an update is available.

TROUBLESHOOTING

Problem	Solution
The tool won't crimp when I press the trigger.	Ensure the battery is charged. Disengage the trigger lock.
The InteLED flashes yellow when I activate the tool.	The maintenance interval is about to elapse. Have the tool serviced as soon as possible.
The tool repeatedly give me bad crimps / The InteLED flashes red after every crimp.	Ensure the battery is fully charged. Ensure the dies are inserted properly into the crimping head. If problem persists, have the tool serviced as soon as possible.
The tool is leaking hydraulic oil.	Have the tool serviced immediately.
The tool is not saving data or will not connect to STANLEY Crimp software.	Have the tool serviced as soon as possible.

PBD1200 PARTS ILLUSTRATION

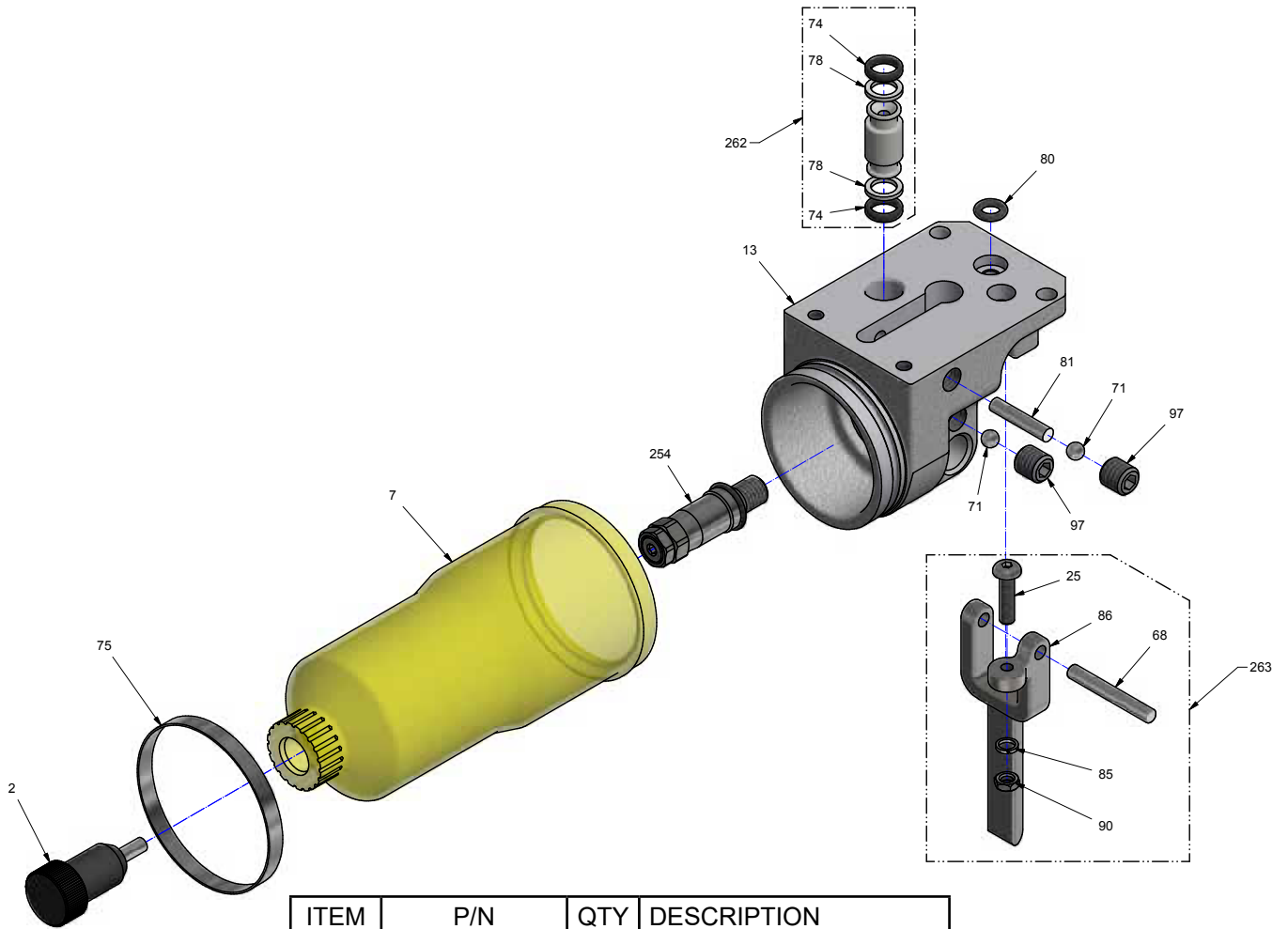


PBD1200 PARTS LIST

ITEM	P/N	QTY	DESCRIPTION
31	85071DUB	1	Spring
32	SGET3100390	1	Guiding Segment
37	91649	2	Side Membrane
38	91650	2	Rear Membrane
41	91655	1	Trigger Lock
42	77058-01	1	Shackle
43	91593-STA	1	Housing Set
44	91439	1	Lens LED
46	JUP404865	1	Lip Seal
47	77051-01	1	Shackle Holder
48	91410	1	USB Cover
49	AIG4X19.8BP	1	Calibrated Pin
50	77061	1	Spring
64	AAIS60	1	Retaining Ring
87	VAV06HC025	1	Screw
89	VAV04CB006	4	Screw
93	VAV05HC025	2	Screw
94	VAV05HC040	2	Screw
98	VAV3.5TC014ZN	13	Screw
99	91350	1	Protection Cover
101	91633	1	Stanley Label
102	91638	1	PBD1200 Label
103	91634	1	"Powered By De-Walt" label - Right
104	91635	1	"Powered By De-Walt" Label - Left
105	91636	2	INTELED Label
106	91484	1	Crush Hazard Label
110	91426	1	Pin
111	VAV04FH010Z	1	Screw
135	ACKR0204	1	Grooved Pin
136	91465	1	Strap Ring
250	91856	1	Motor Reduction Unit
251	91897	1	Crimping Head Unit
252	See page 17	1	Reservoir Unit
253	See page 18	1	Hydraulic Body Unit
255	92802C	1	Die Holder Unit
263	92886	1	Electronic Device
264	77853-STA	1	Advance Trigger Unit
265	77854-DEW	1	Release Trigger Unit

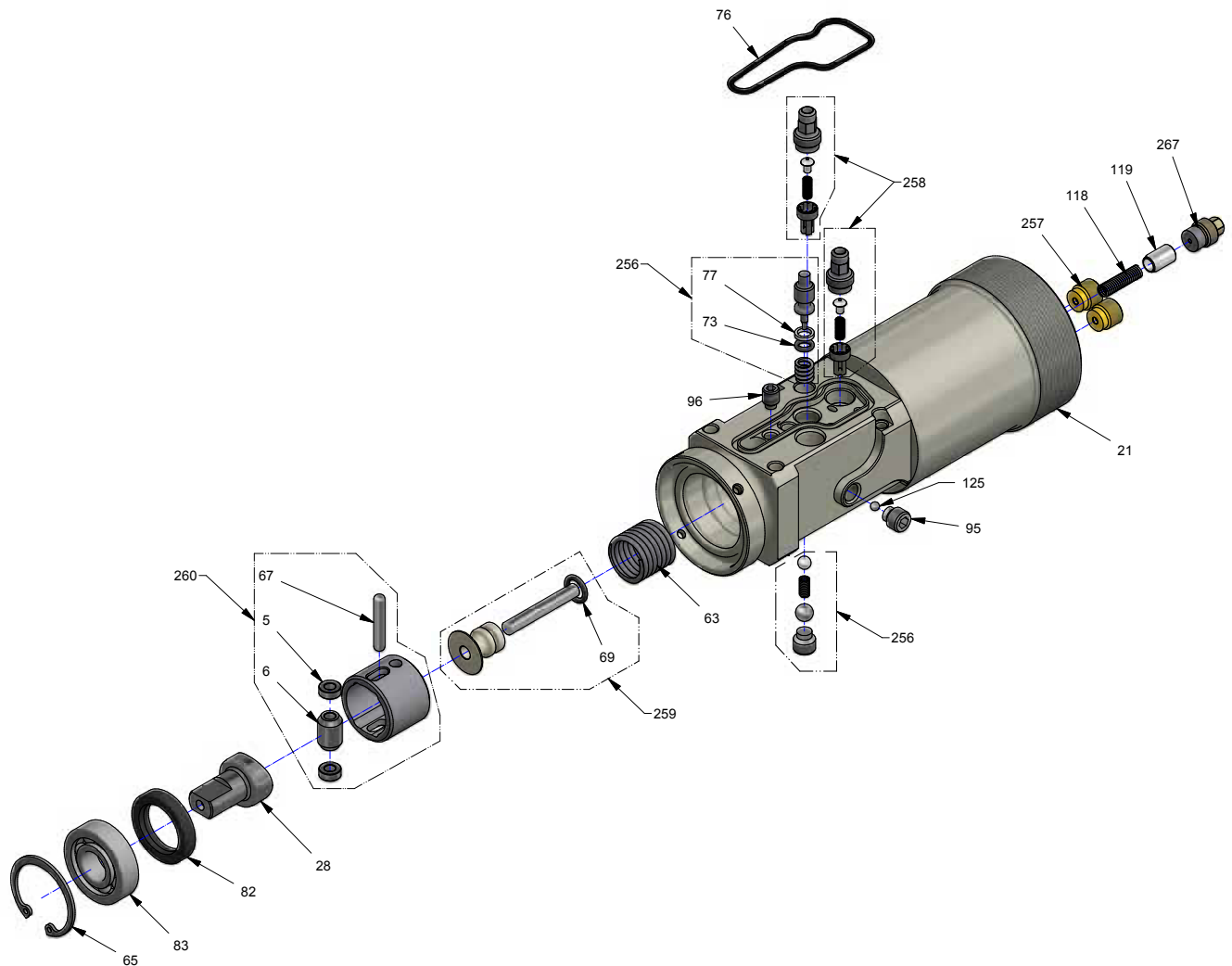
ITEM	P/N	QTY	DESCRIPTION
270	85888C	1	Piston Unit
271	85884	1	Stop Ring Unit

PBD1200 RESERVOIR UNIT



ITEM	P/N	QTY	DESCRIPTION
2	30176DUB	1	Reservoir Plug
7	91569	1	Oil Reservoir
13	77009-02	1	Reservoir Body
25	VAV04CB015	1	Screw
68	AIG4X29.8BP	1	Calibrated Pin
71	BILL4.76	2	Ball
74	J0640190	2	O-Ring
75	91576	1	Metal Clamp
78	JAE0700150	2	Anti-extrusion Ring
80	J0420250	1	O-Ring
81	ZBINA420	1	Magnet Pin
85	VAR04W	1	Washer
86	91232	1	Release Trigger
90	VAE04	1	Washer
97	VAV08BP008	2	Screw
254	92884-15	1	Overload Valve
262	77851C	1	Bodies Connector Unit
263	77852-DEW	1	Release Lever Unit

PBD1200 HYDRAULIC UNIT



ITEM	P/N	QTY	DESCRIPTION
5	77286	2	Cam Roller
6	70048DUB	1	Sleeve
21	77013-01-AP	1	Hydraulic Body
28	77026-04	1	Spring
63	87213	1	Spring
65	AAIN30	1	Circlip
67	AIG4X23.8BR	1	Calibrated Pin
69	J0720190	1	O-Ring
73	J0290178PU70	2	O-Ring
76	J4300200	1	O-Ring
77	JAE0500100	1	Anti-extrusion Ring
82	JSR1927205	1	Wiper Ring
83	R1B12.30.08Z	1	Ball Bearing
95	VIV08TT008	2	Screw
96	VAV06TT008	1	Screw

ITEM	P/N	QTY	DESCRIPTION
118	77030	1	Spring
119	77016	1	Sliding Part
125	BILL03.175	1	Ball
256	77803	1	Release Device
257	77805-01	2	Deliver Valve Unit
258	77806-01	2	Suction Valve Unit
259	77848C-02	1	Spring Collar Unit
260	77849C	1	Cam Compartment Unit
267	77804C	1	Commutator

STANLEY®

STANLEY Infrastructure
6430 SE Lake Road
Portland, Oregon 97222 USA
(503) 659-5660 / Fax (503) 652-1780
www.stanleyinfrastructure.com