

STANLEY®

SRA60 COMPACTION RAMMER



SRA 60

PARTS MANUAL



© 2015 Stanley Black & Decker, Inc.
New Britain, CT 06053
U.S.A.
76405 5/2017 Ver 6

TABLE OF CONTENTS

MACHINE INFORMATION	3
ADHESIVES	4
UPPER HANDLE	5 - 6
FUEL TANK	7
ENGINE	8
ENGINE GUARDING	9
THROTTLE	10
FILTER	11
GEAR BOX	12
CLUTCH	13
PINION	14
GUIDE TUBE	15
BELLOW	16
BASE PLATE	17
DECAL INFORMATION	18
WORK PLATE 165MM	19
WORK PLATE 200MM	20
WORK PLATE 230MM	21
WORK PLATE 330MM	22
WORK PLATE 400MM	23
WORK PLATE 340MM ASYMMETR	24
INTERMEDIATE PIECE, SHORT	25
FOOT EXTENSION	26
TRAILER ASSY	27
MAINTENANCE KIT	28
BASE PLATE KIT	29
REPAIR KIT (COUPLING)	30
REPAIR KIT (CARRY ROLLER)	31
REPAIR KIT (CARBURATOR)	32
REPAIR KIT (BELLOW)	33
REPAIR KIT (SPRING LEG)	34

IMPORTANT

To fill out a Product Warranty Validation form, and for information on your warranty, visit Stanleyhydraulics.com and select the Company tab, Warranty.
(NOTE: The warranty Validation record must be submitted to validate the warranty).

SERVICING: This manual contains spare parts. Stanley Hydraulic Tools recommends that servicing this machine, other than routine maintenance, must be performed by an authorized and certified dealer. Please read the following warning.

⚠ WARNING

SERIOUS INJURY OR DEATH COULD RESULT FROM THE IMPROPER REPAIR OR SERVICE OF THIS TOOL.

REPAIRS AND / OR SERVICE TO THIS TOOL MUST ONLY BE DONE BY AN AUTHORIZED AND CERTIFIED DEALER.

For the nearest authorized and certified dealer, call Stanley Hydraulic Tools at the number listed on the back of this manual and ask for a Customer Service Representative.

MACHINE INFORMATION

Important!

In order to enable spare parts orders to be processed quickly and correctly, we require the following data:

1. Machine number: _____
2. Machine type: _____
3. Motor type: _____
(enter here for your own use; the data is shown on the type plate of the machine)
4. Item description, part number and quantity.

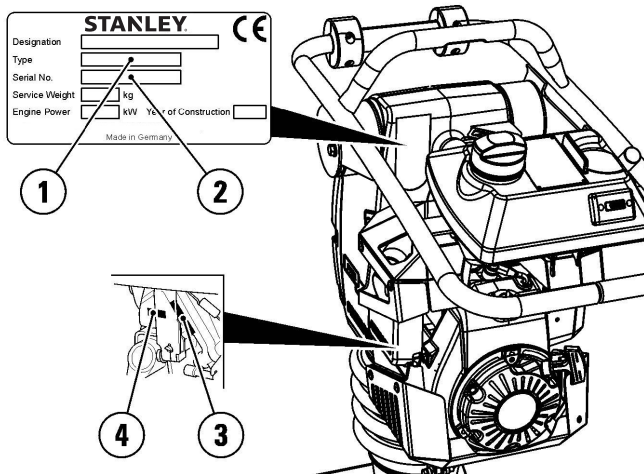
Only original spare parts ensure a perfect condition tested by us; no warranty can be given if original spare parts are not used.

In case of warranty claims, make sure a Product Warranty Validation form has been filled out on our website at "stanleyhydraulics.com" (Note: the warranty validation form must be submitted to validate the warranty).

In case of warranty claims for combustion engines, please contact the engine manufacturer or one of his authorised repair workshops to repair the damage or process the warranty claim.

Because of the steady development of our products, the shown illustrations are non-committal.
To order spare parts, please contact your local dealer or write to:

Stanley Hydraulic Tools
3810 SE Naef Road
Milwaukie, OR 97267
Ph: 503-659-5660
Fax: 503-652-1780



ADHESIVES

Sealing- and bonding adhesives

❶	A1	2-9L0 00 002	Loctite 262	250 ml
❷	A2	2-806 05 260	Loctite 5205	300 ml
❸	A3	2-806 02 010	Shell Alvania R3	1.0 kg
❹	A4	2-9IH 00 001	Epple 22	250 ml
❺	A5	2-9K0 00 020	Klüber 46 MR401	0.75 kg
❻	A6	2-806 05 060	Atmosit Compact	75 ml
❼	A7	2-806 05 200	Sico Met 50	20 g
❽	A8	2-806 05 170	Omni Visc 1002	
❾	A9	2-806 02 050	Shell Alvania EP1	600 g
❿	A10	2-806 05 310	Beta Link K1	
⓫	A11	2-806 03 017	Metaflux	
⓬	A12	2-806 05 290	Loctite 5910	300 ml
⓭	A13	2-9L0 00 001	Loctite Cleaner 7063	450 ml
⓮	A14	2-9L0 00 006	Loctite 221	50 ml
	A15	2-806 05 090	Omni Visc 1050	50 ml

as specified in the individual exploded views

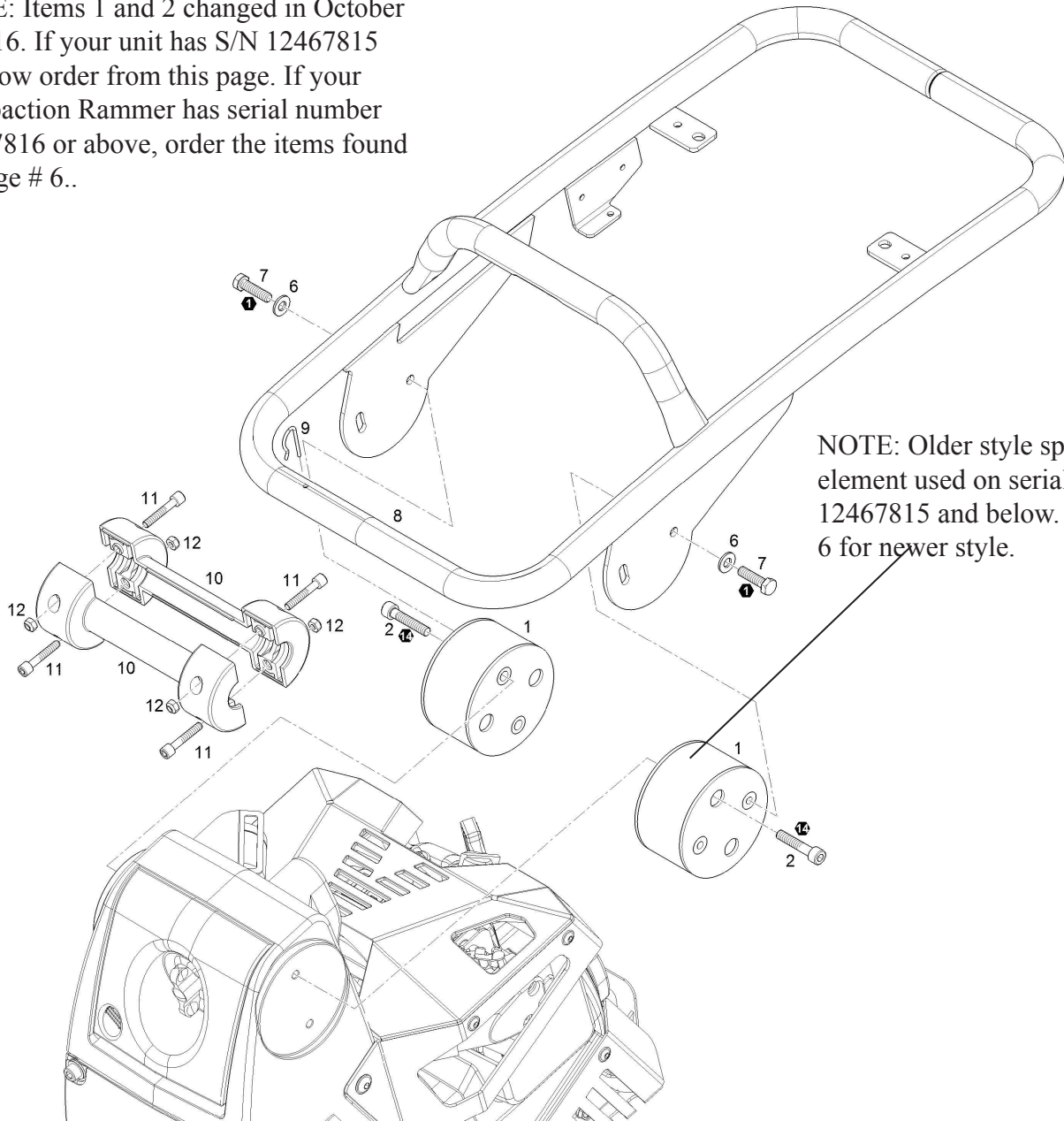
TAB01010.cdr

Conversion: Newton-Meters to in. lb. and ft. lb.

Nm	In. lb.	Ft. lb.
5	44.2	3.6
10	88.5	7.3
15	132	11.0
20	177	14.7
25	221.2	18.4
30	265.5	22.1
35	309.7	25.8
40	354	29.5
45	398.2	33.1
50	442	36.8
55	486.7	40.5
60	531	44.2

SRA 60 UPPER HANDLE PARTS

NOTE: Items 1 and 2 changed in October of 2016. If your unit has S/N 12467815 or below order from this page. If your Compaction Rammer has serial number 12467816 or above, order the items found on page # 6..

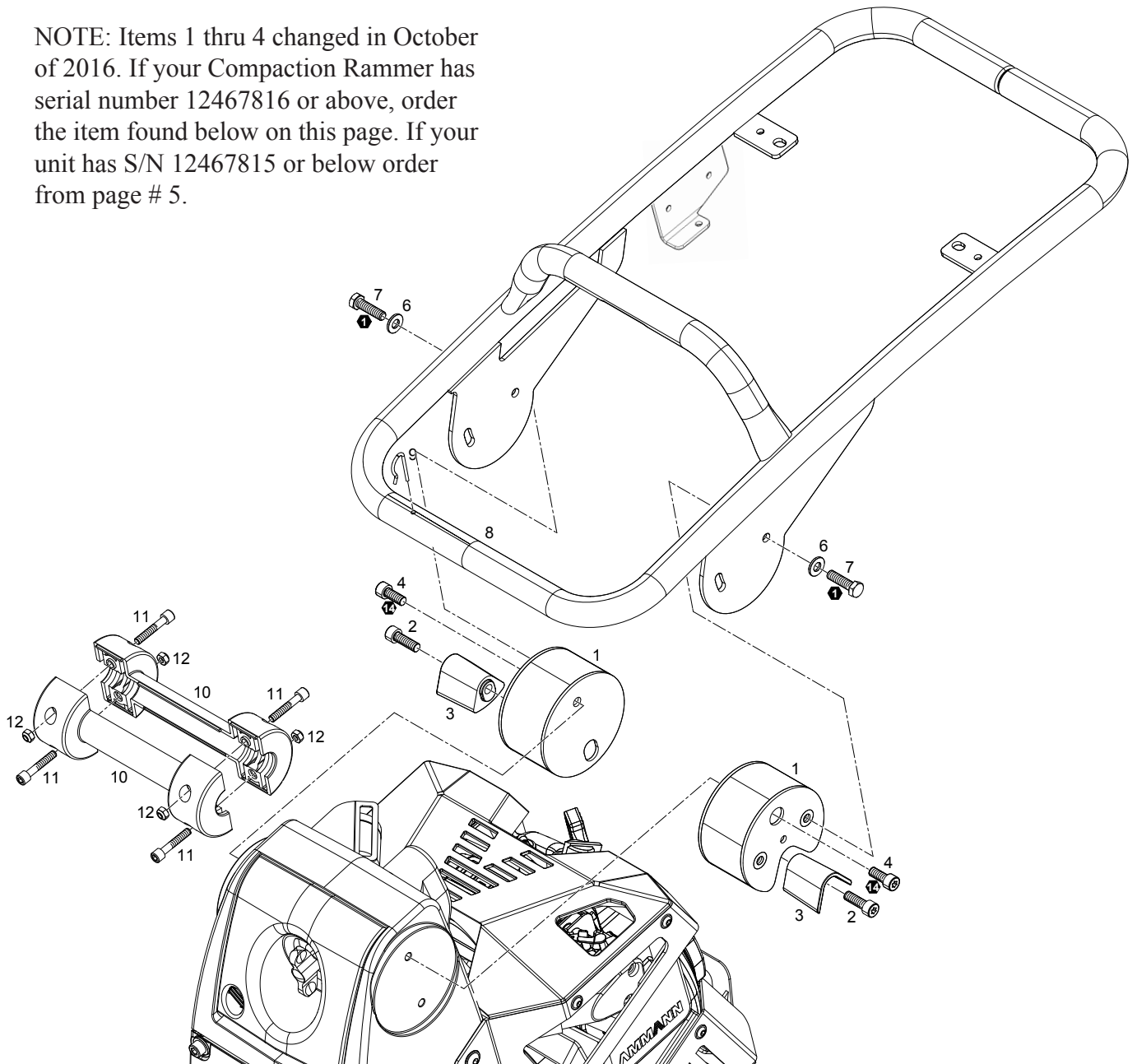


NOTE: Older style spring element used on serial number 12467815 and below. See page 6 for newer style.

Item No.	Part No.	Qty	Description
1	75471	2	Spring Element
2	75682	4	Socket Head Cap Screw
6	75531	4	Conical Spring Washer
7	75727	4	Hexagonal Head Cap Screw
8	75380	1	Holding Bow
9	75319	1	Retaining Pin
10	75371	2	Carrying Roller
11	75676	4	Socket Head Cap Screw
12	75752	4	Hexagon Nut

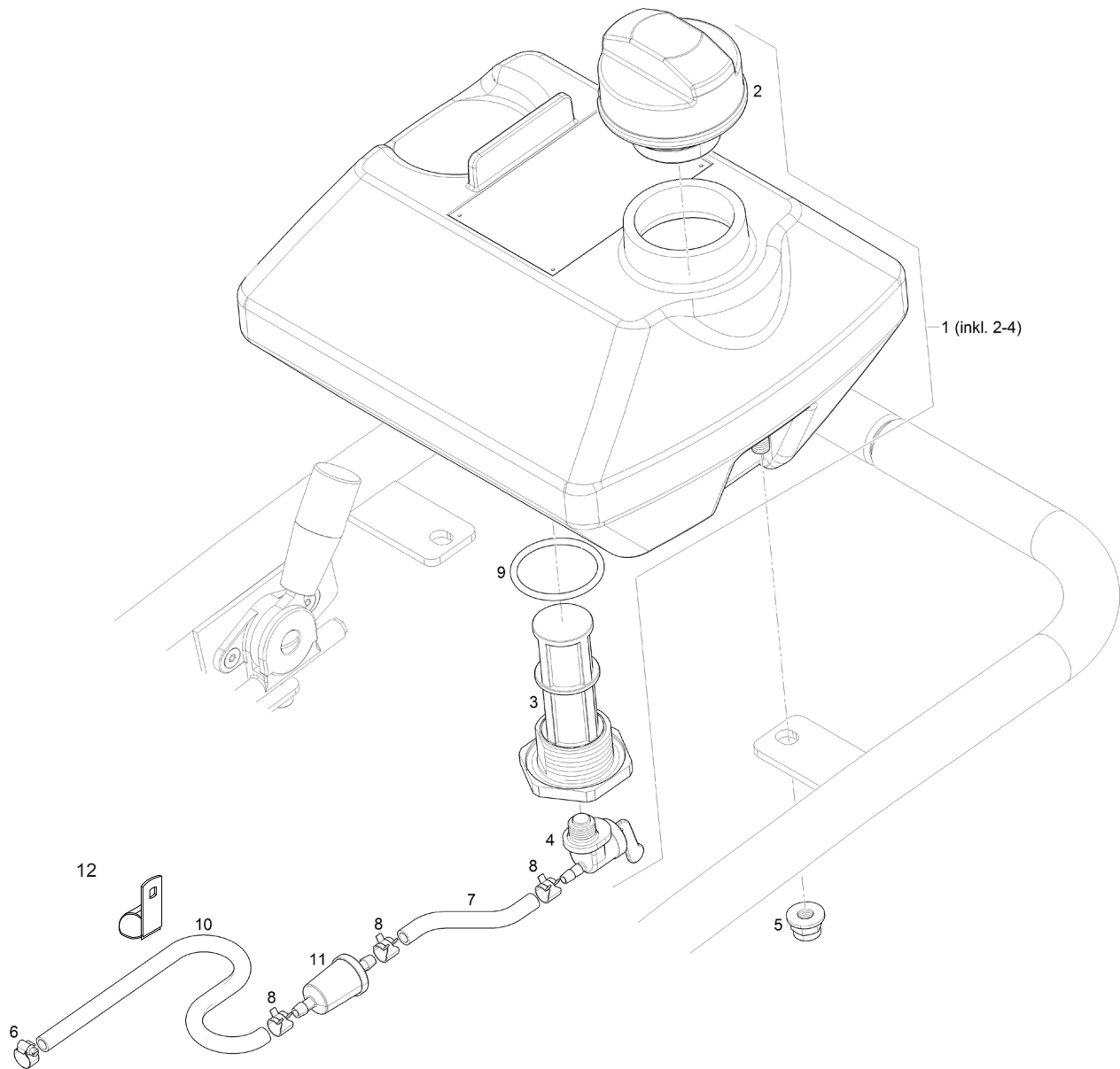
SRA 60 UPPER HANDLE PARTS

NOTE: Items 1 thru 4 changed in October of 2016. If your Compaction Rammer has serial number 12467816 or above, order the item found below on this page. If your unit has S/N 12467815 or below order from page # 5.



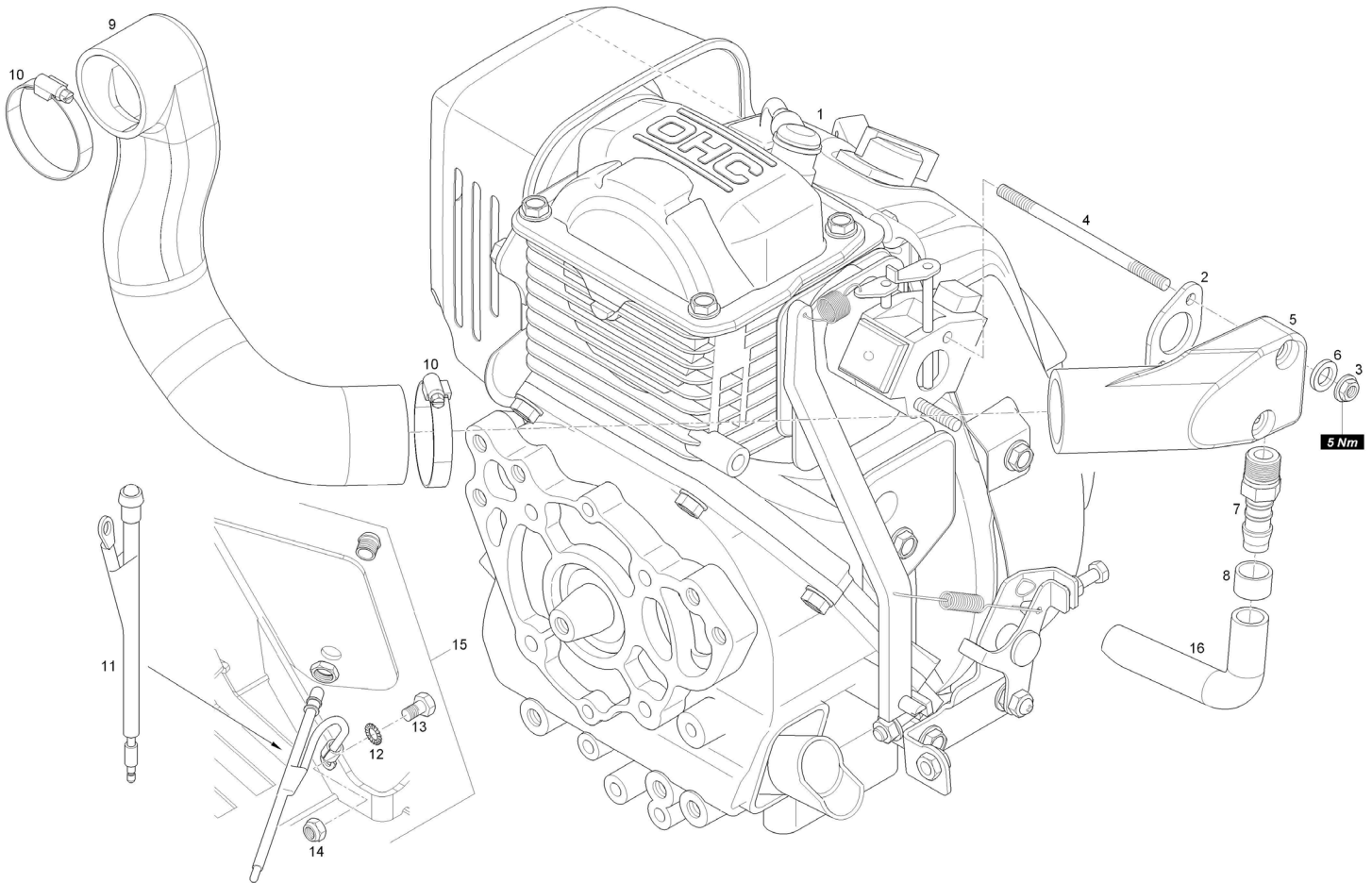
Item No.	Part No.	Qty	Description
1	76763	2	Spring Element
2	76764	2	Socket Head Cap Screw M8x25
3	76765	2	Stopper
4	76766	2	Socket Head Cap Screw M8x20
6	75531	4	Conical Spring Washer
7	75727	4	Hexagonal Head Cap Screw
8	75380	1	Holding Bow
9	75319	1	Retaining Pin
10	75371	2	Carrying Roller
11	75676	4	Socket Head Cap Screw
12	75752	4	Hexagon Nut

SRA 60 FUEL TANK PARTS



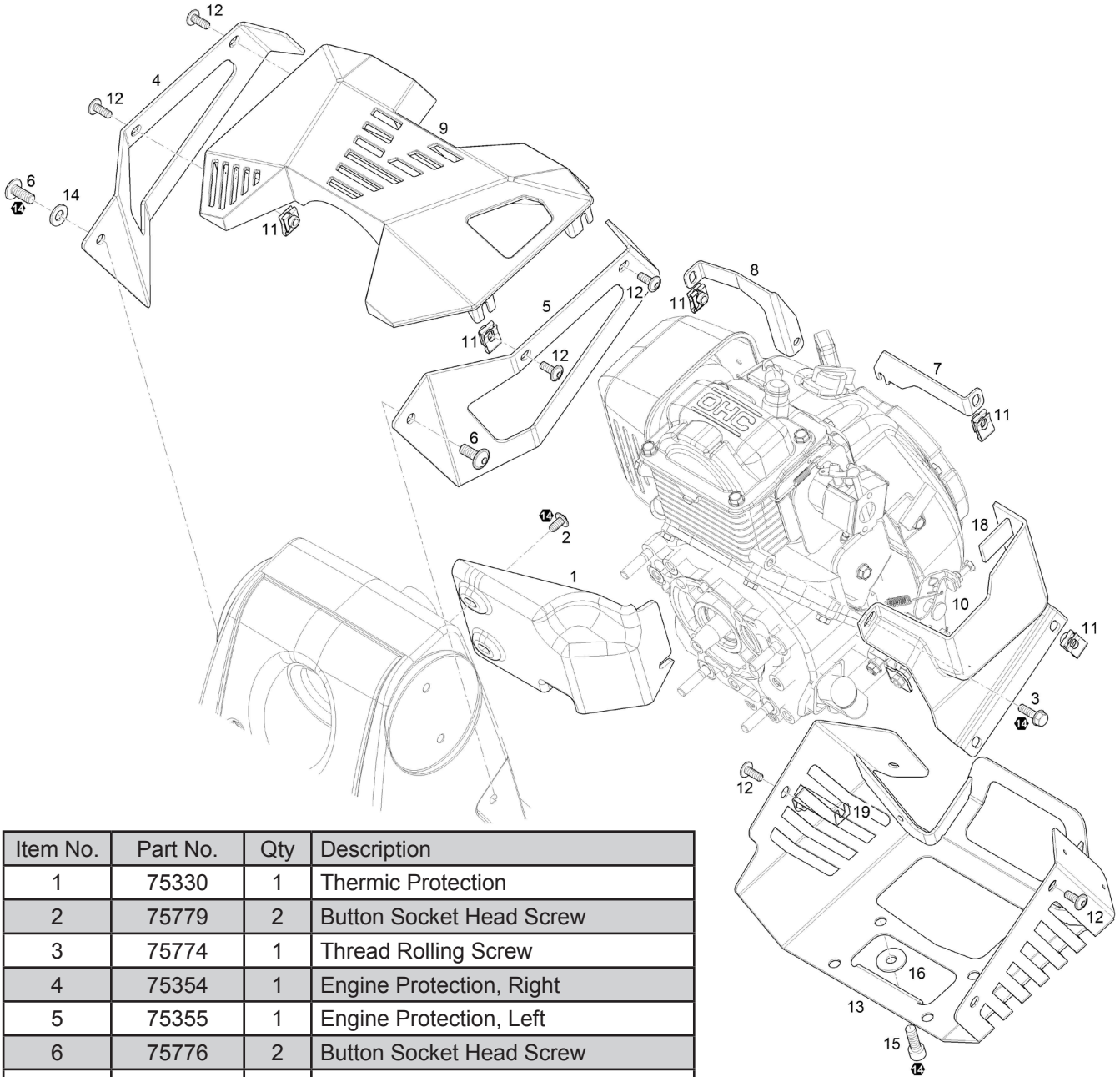
Item No.	Part No.	Qty	Description
1	75382	1	Fuel Tank Assembly (Includes Items 2-4 & 9)
2	75568	1	Tank Cap
3	75564	1	Filter
4	75565	1	Fuel Tap
5	75759	4	Hexagon Nut
6	75545	1	Hose Clamp
7	75566	1	Hose
8	75554	3	Hose Clamp
9	75451	1	O-Ring
10	75567	1	Hose
11	75563	1	Fuel Filter
12	76498	1	Tube Clamp (For fuel line)

SRA 60 ENGINE PARTS



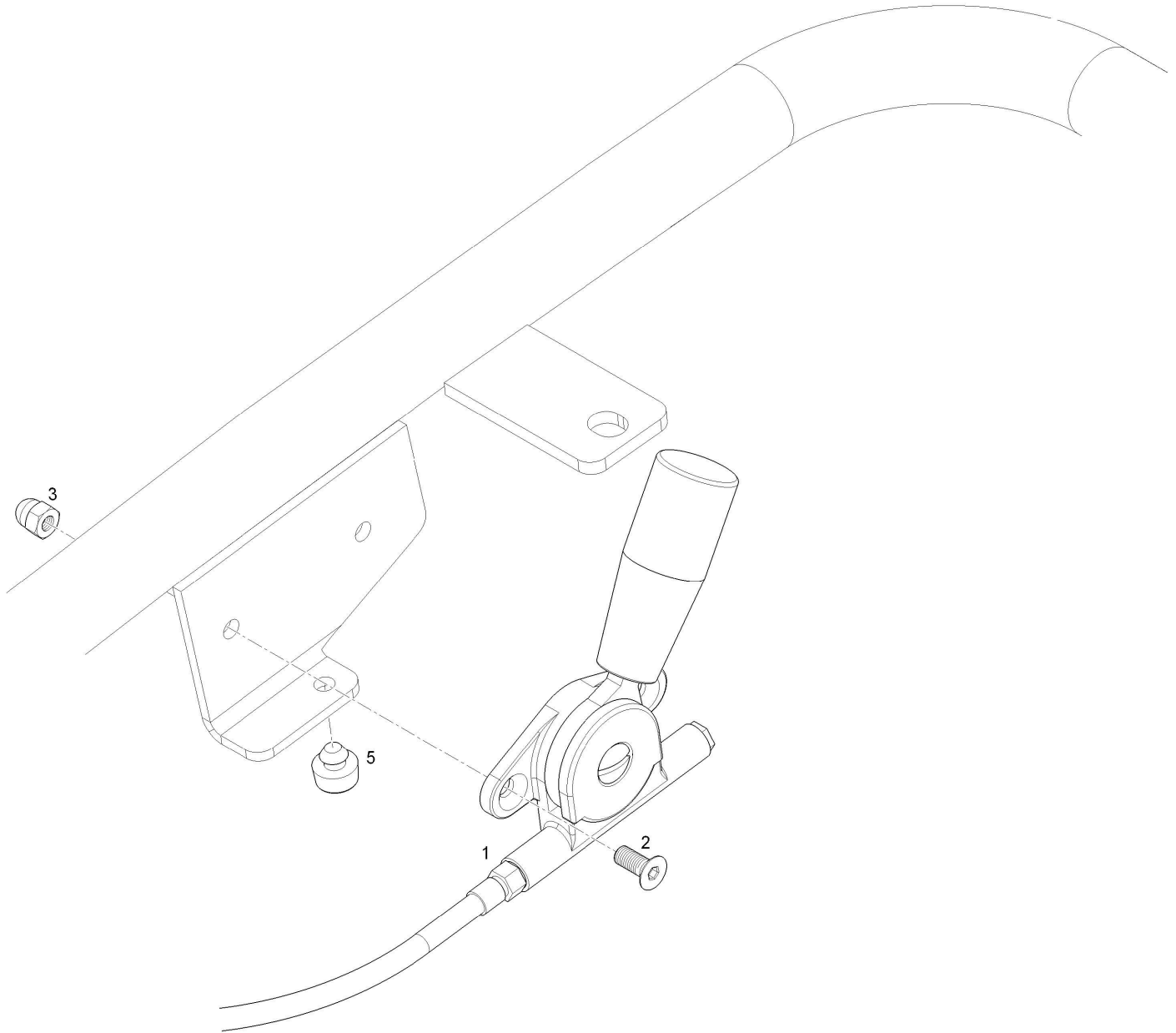
Item No.	Part No.	Qty	Description
1	75633	1	Petrol Engine
2	75866	1	Gasket
3	75873	2	Flange Nut
4	75870	2	Stud Bolt
5	75321	1	Suction Elbow Part
6	75455	2	Joint Washer
7	75559	1	Straight Coupling
8	75320	1	Hose
9	75335	1	Formed Hose
10	75548	2	Hose Clamp
11	75345	1	Cable
12	75087	1	Fan-Shaped Washer
13	75722	1	Hexagonal Head Cap Screw
14	75751	1	Hexagon Nut
15	75365	1	Engine Protection Panel, Back
16	75862	1	Air Relief Tube

SRA 60 ENGINE GUARDING PARTS



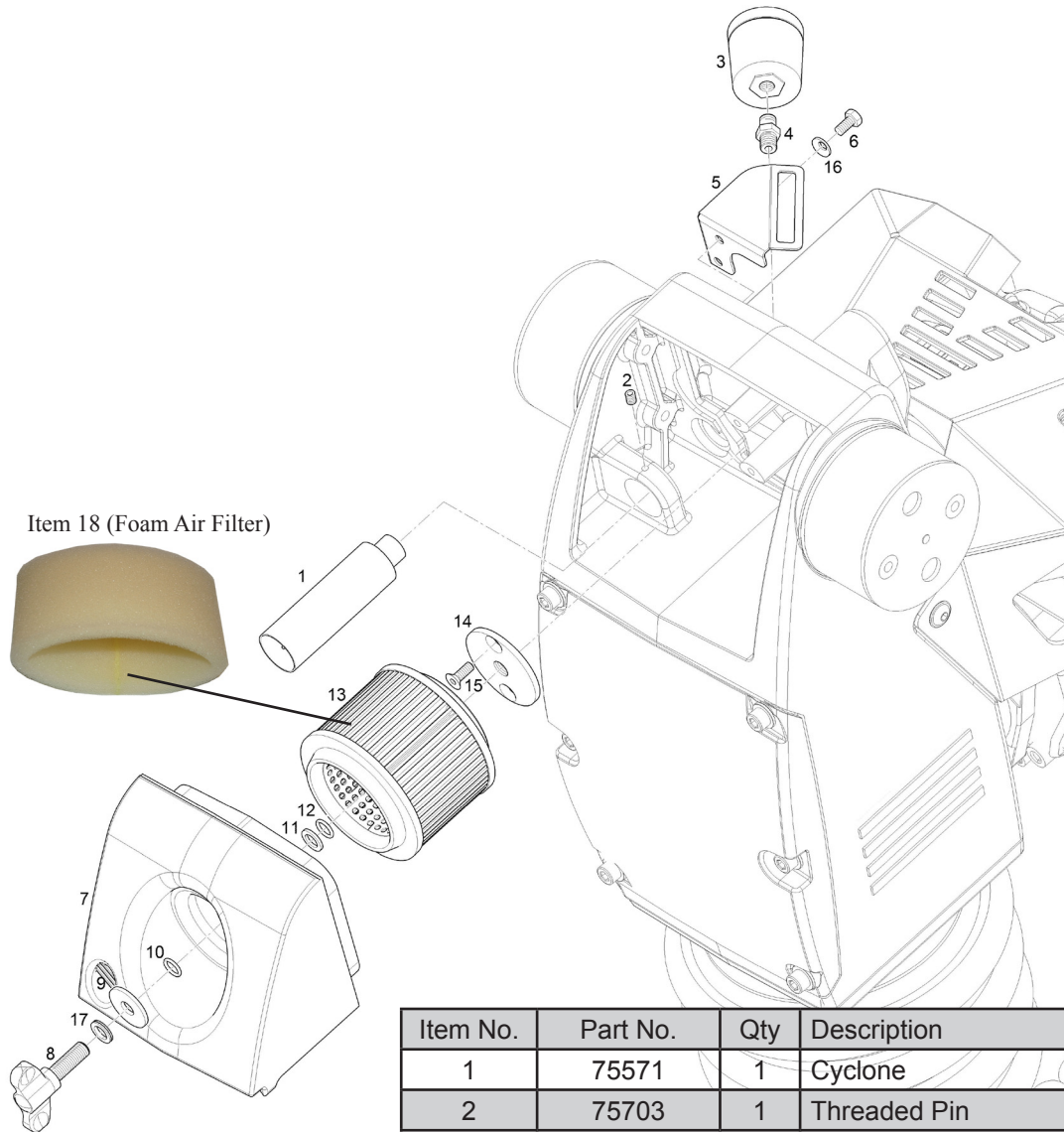
Item No.	Part No.	Qty	Description
1	75330	1	Thermic Protection
2	75779	2	Button Socket Head Screw
3	75774	1	Thread Rolling Screw
4	75354	1	Engine Protection, Right
5	75355	1	Engine Protection, Left
6	75776	2	Button Socket Head Screw
7	75333	1	Console, Right
8	75334	1	Console, Left
9	75379	1	Engine Protection Panel, Top
10	75338	1	Engine Protection Panel
11	75773	6	Fastener
12	75780	7	Button Socket Head Screw
13	75365	1	Engine Protection Panel, Back
14	75509	2	Washer
15	75680	4	Socket Head Cap Screw
16	75512	4	Washer
18	75357	1	Rubber Plate
19	75361	1	Fastener

SRA 60 THROTTLE PARTS



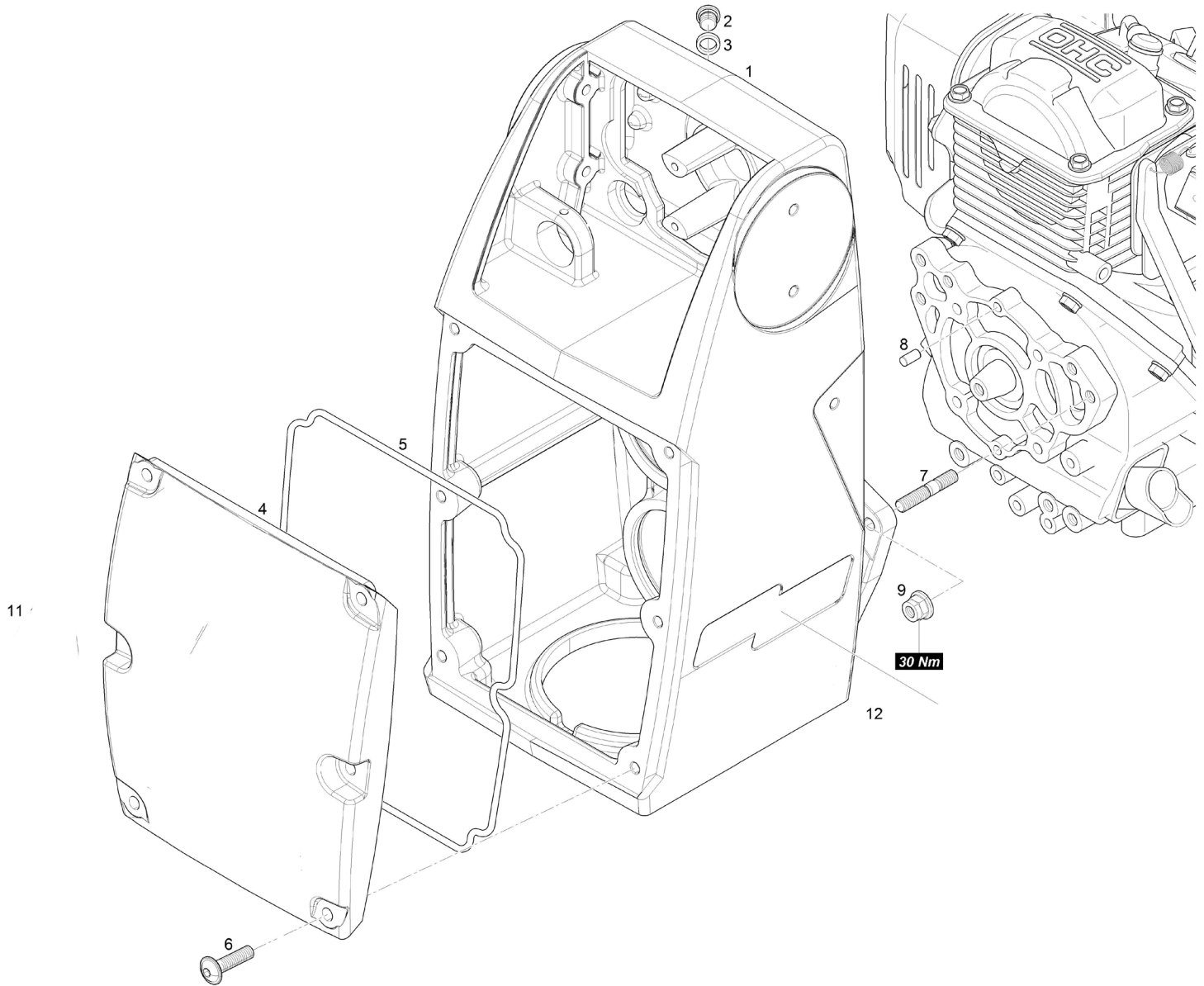
Item No.	Part No.	Qty	Description
1	75644	1	Throttle Cable
2	75761	2	Countersunk Screw
3	75769	2	Cap Nut
5	75476	1	Rubber Buffer

SRA 60 FILTER PARTS



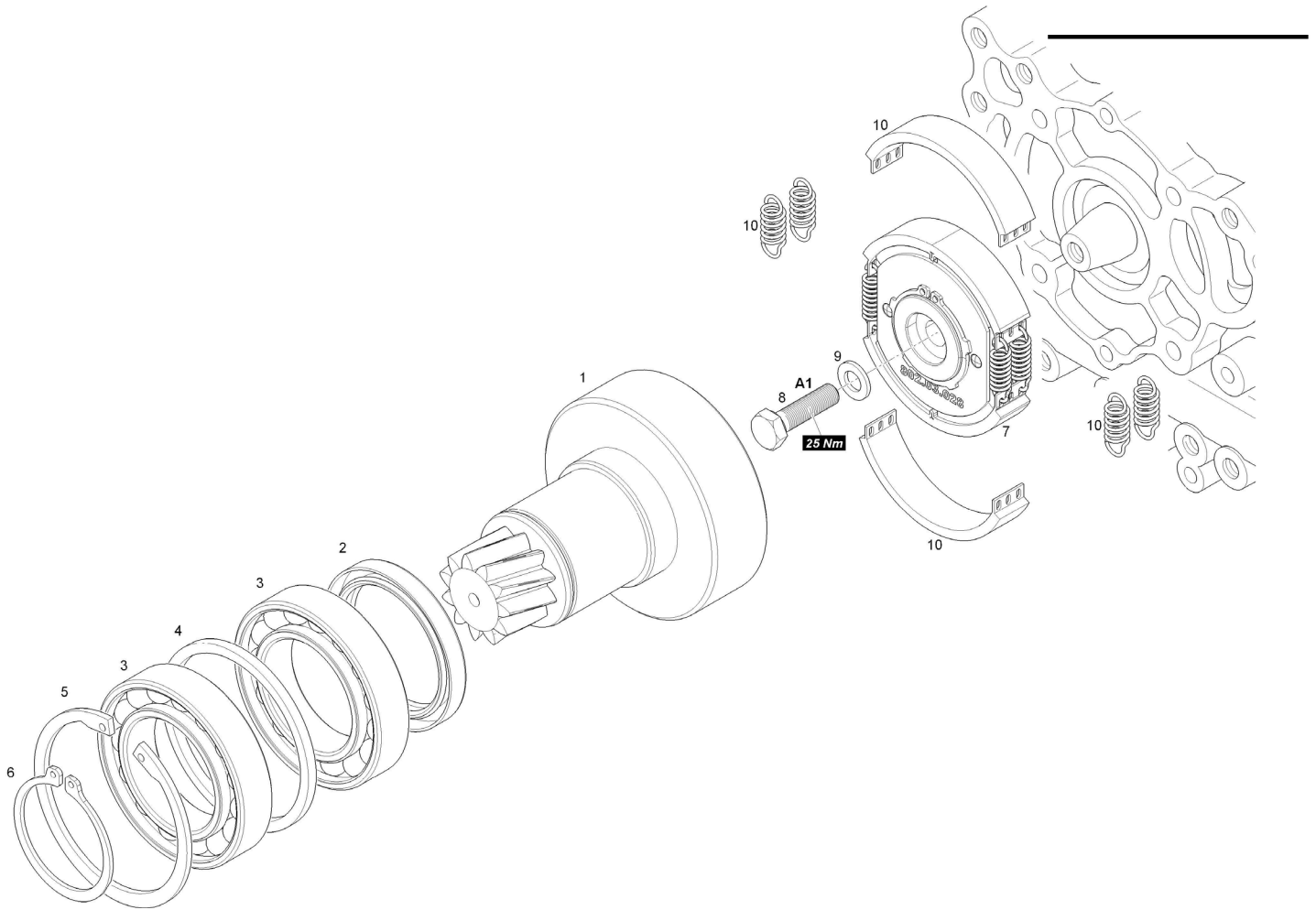
Item No.	Part No.	Qty	Description
1	75571	1	Cyclone
2	75703	1	Threaded Pin
3	75572	1	Service Indicator
4	75356	1	Nipple
5	75326	1	Panel
6	75723	2	Hexagonal Head Cap Screw
7	75328	1	Cover
8	75542	1	Wing Screw
9	75511	1	Washer
10	75420	1	O-Ring
11	75516	1	Support Washer
12	75419	1	O-Ring
13	75570	1	Filter Cartridge
14	75327	1	Threaded Plate
15	75762	2	Countersunk Screw
16	75533	2	Conical Spring Washer
17	75513	1	Lock Washer
18	76479	1	Foam Air Filter

SRA 60 GEAR BOX PARTS



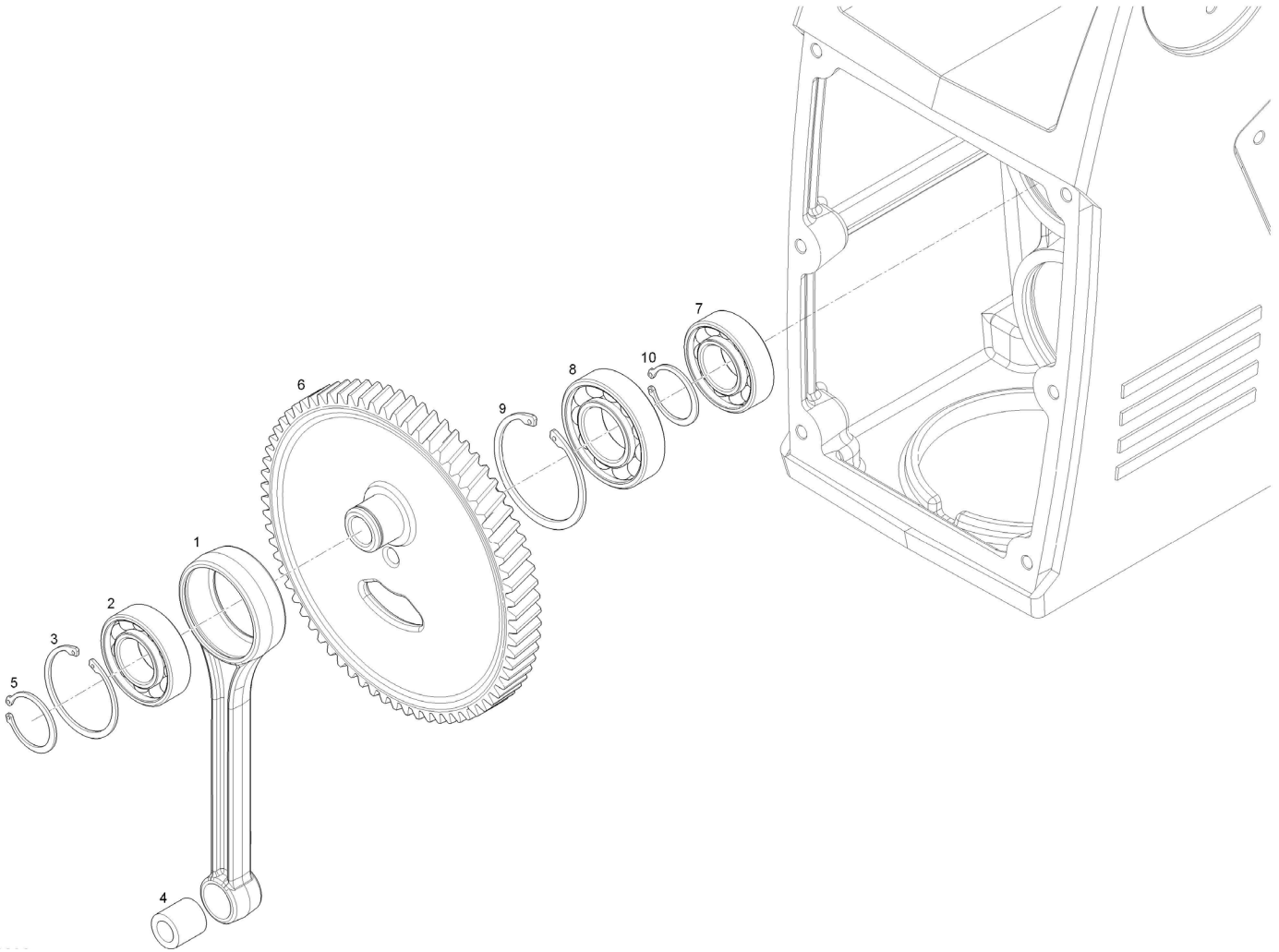
Item No.	Part No.	Qty	Description
1	75377	1	Gearbox
2	75670	1	Screw Plug
3	75452	1	Joint Washer
4	75378	1	Cover
5	75426	1	O-Ring
6	75781	6	Button Socket Head Screw
7	75706	4	Stud Bolt
8	75539	2	Cylindrical Pin
9	75759	4	Hexagon Nut

SRA 60 CLUTCH PARTS



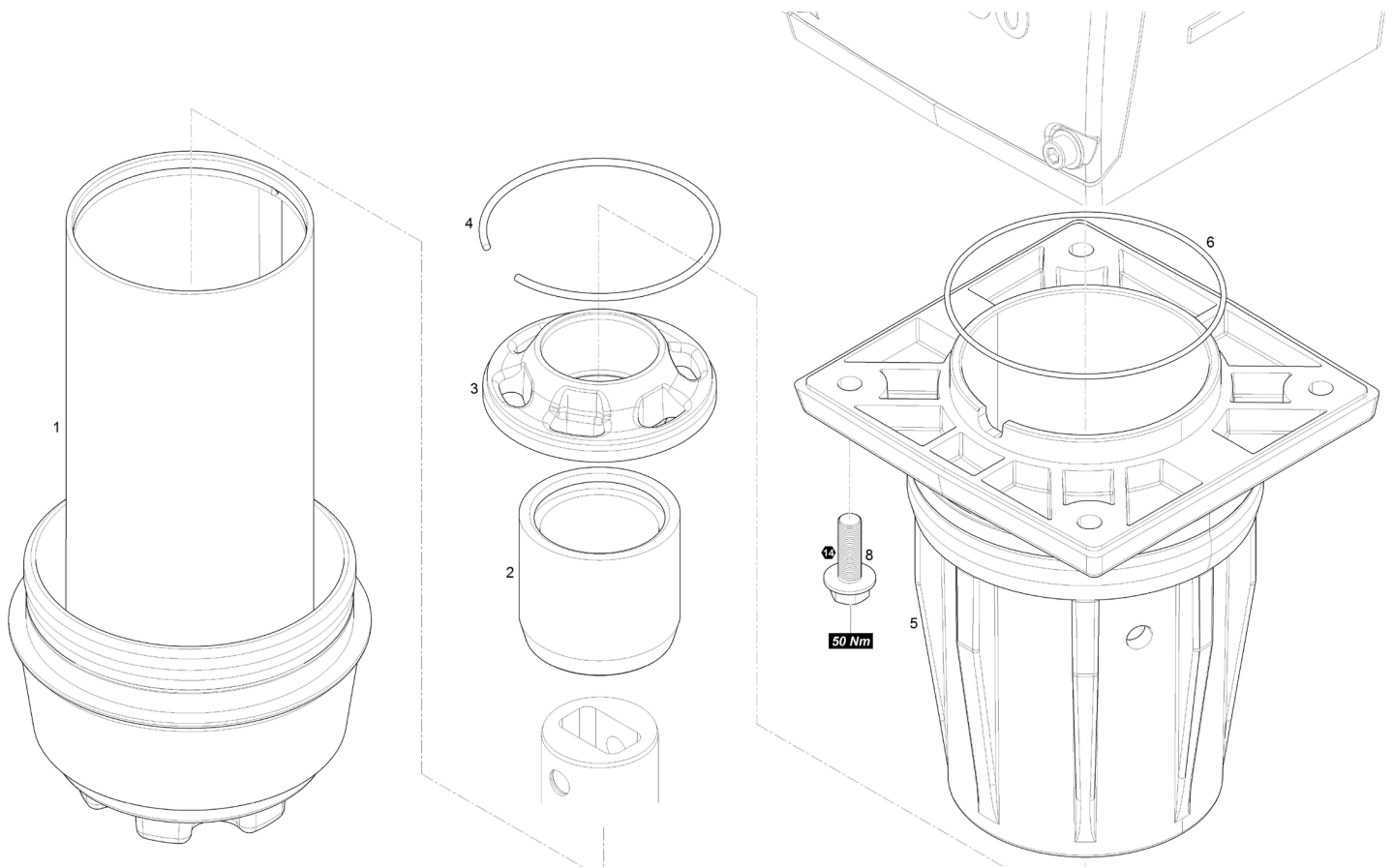
Item No.	Part No.	Qty	Description
1	75318	1	Clutch Socket
2	75416	1	Shaft Sealing Ring
3	75399	2	Groove Ball Bearing
4	75317	1	Distance Ring
5	75489	1	Retaining Ring
6	75499	1	Retaining Ring
7	75579	1	Centrifugal Clutch (Includes Item 10)
8	75729	1	Hexagonal Head Cap Screw
9	75531	1	Conical Spring Washer
10	75600	1	Set Of Lining Strap (Includes Springs)

SRA 60 PINION PARTS



Item No.	Part No.	Qty	Description
1	75325	1	Connecting Rod
2	75400	1	Groove Ball Bearing
3	75483	1	Retaining Ring
4	75315	1	Bush
5	75494	1	Retaining Ring
6	75360	1	Pinion
7	75400	1	Groove Ball Bearing
8	75401	1	Groove Ball Bearing
9	75485	1	Retaining Ring
10	75495	1	Retaining Ring

SRA 60 GUIDE TUBE PARTS



⚠ DANGER

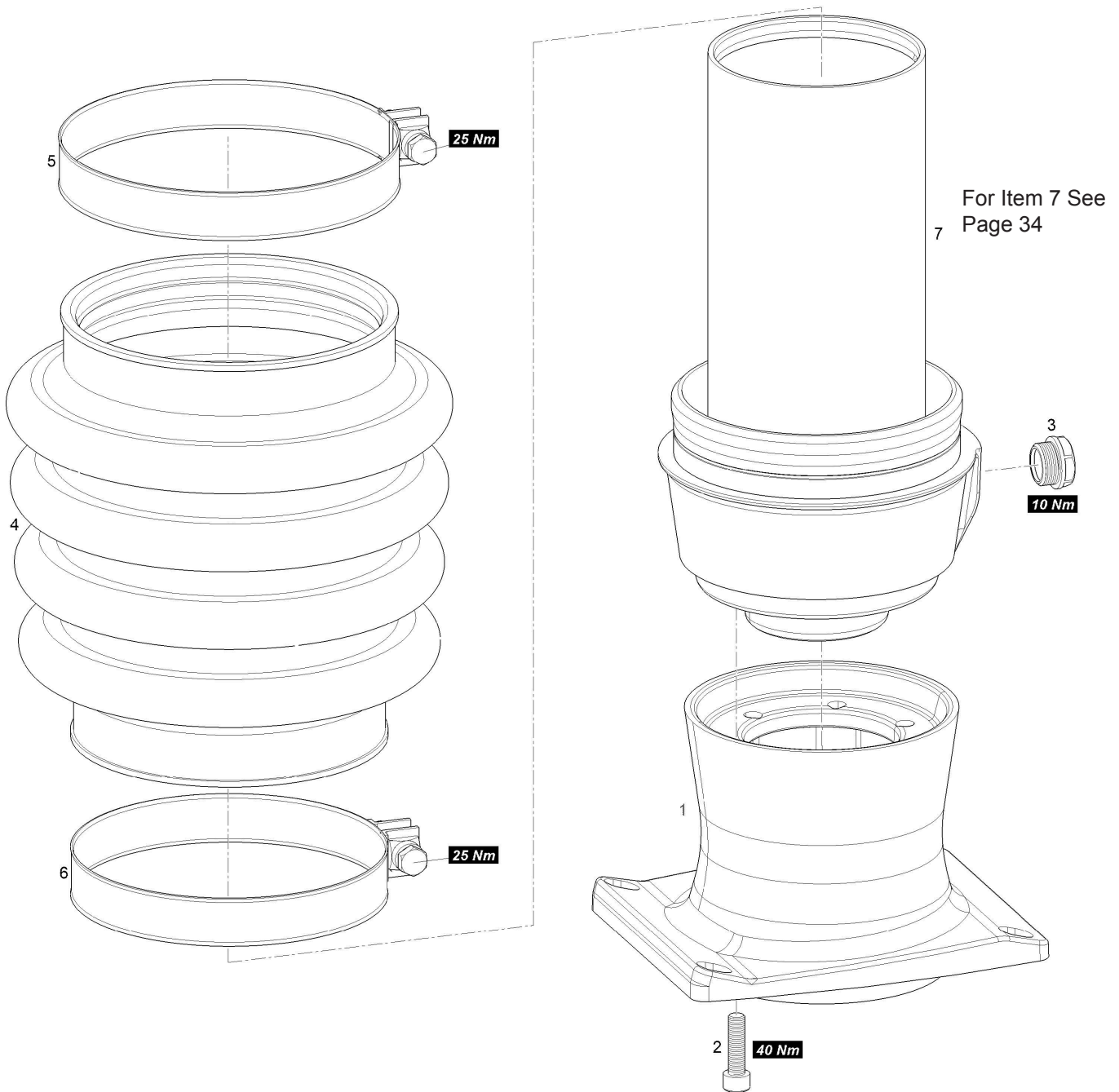
NOTE:

Non serviceable item. Never attempt to remove item #4 Retaining Ring, components held by item 4 Retaining Ring are assembled under high spring compression. Removal of the Retainer ring may cause serious injury or death when energy is released.

Items 1 thru 4 must be purchased as part of an assembly (see item # 2 P/N-75341 Spring guide assy on page 34).

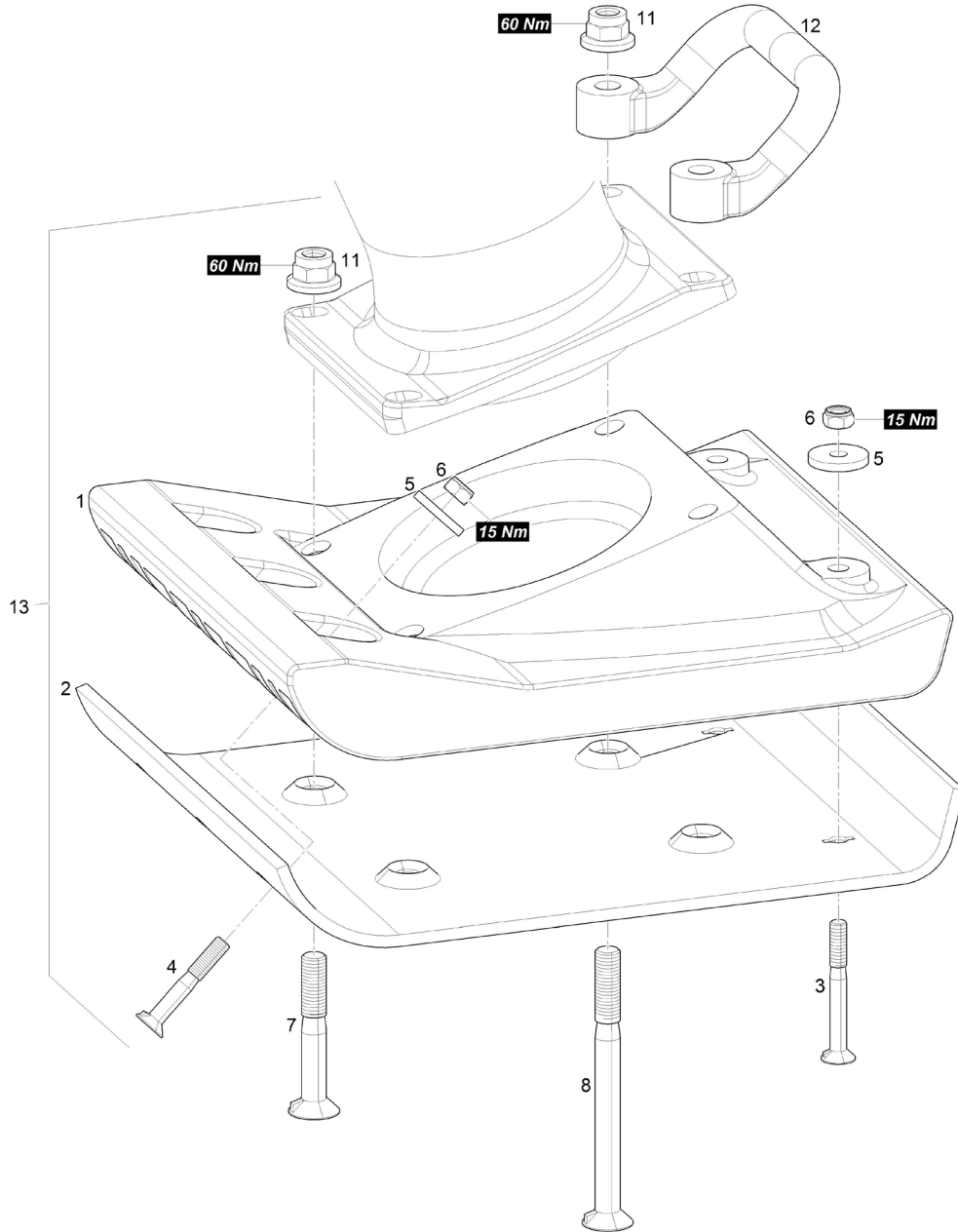
Item No.	Part No.	Qty	Description
5	75344	1	Guide Tube
6	75436	1	O-Ring
8	75744	4	Hexagonal Head Cap Screw

SRA 60 BELLOW PARTS



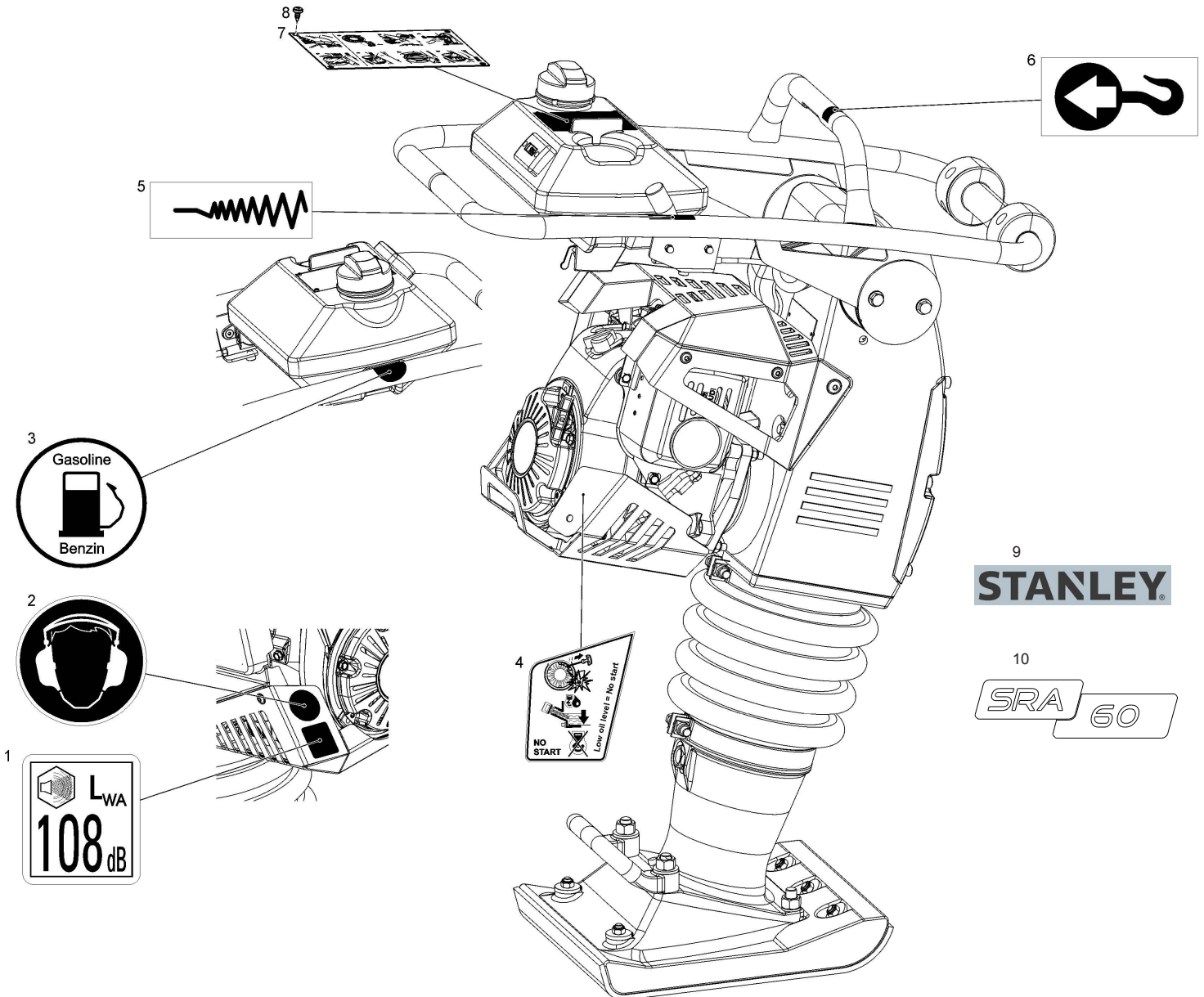
Item No.	Part No.	Qty	Description
1	75362	1	Intermediate Piece
2	75694	6	Socket Head Cap Screw
3	75569	1	Oil Level Indicator
4	75381	1	Bellow
5	75551	1	Clamping Piece
6	75552	1	Clamping Piece

SRA 60 BASE PLATE PARTS



Item No.	Part No.	Qty	Description
1	75323	1	Base Plate
2	75324	1	Floor Plate
3	75789	2	Countersunk Screw
4	75787	3	Countersunk Screw
5	75316	5	Washer
6	75753	5	Hexagon Nut
7	75786	2	Countersunk Screw
8	75788	2	Countersunk Screw
11	75760	4	Hexagon Nut
12	75393	1	Grip
13	75366	1	Work Plate, Assembly (Includes Items 1-12)

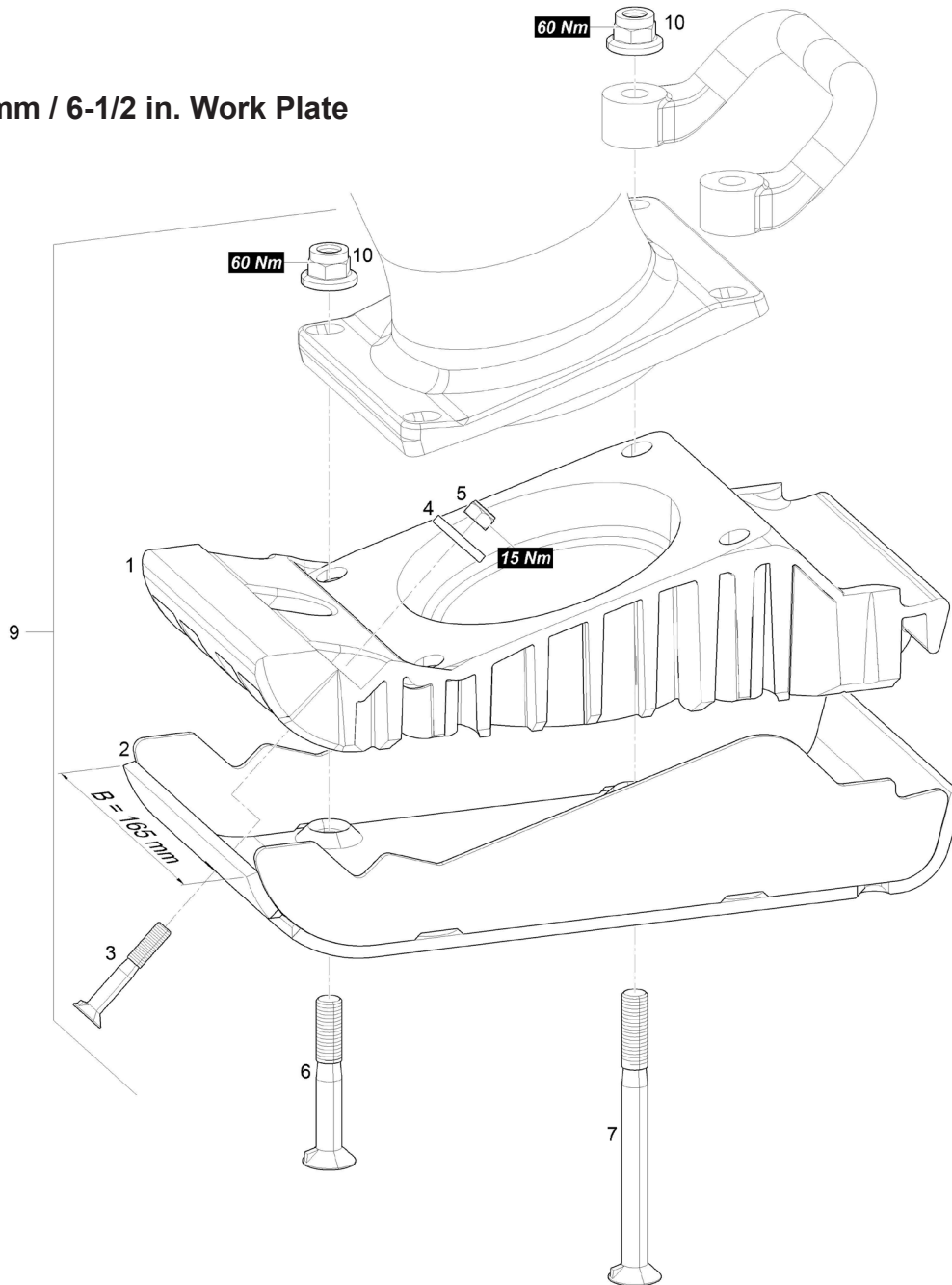
SRA 60 DECAL INFORMATION



Item No.	Part No.	Qty	Description
1	75099	1	Decal Information
2	75103	1	Decal Information
3	75102	1	Decal Information
4	75101	1	Decal Information
5	75093	1	Decal Information
6	75097	1	Decal Information
7	75096	1	Sign, Operation
8	75777	4	Tapping Screw
9	74911	2	Stanley Logo
10	74900	2	Decal SRA 60

SRA FOOT SIZE OPTIONS (WIDTH 165MM)

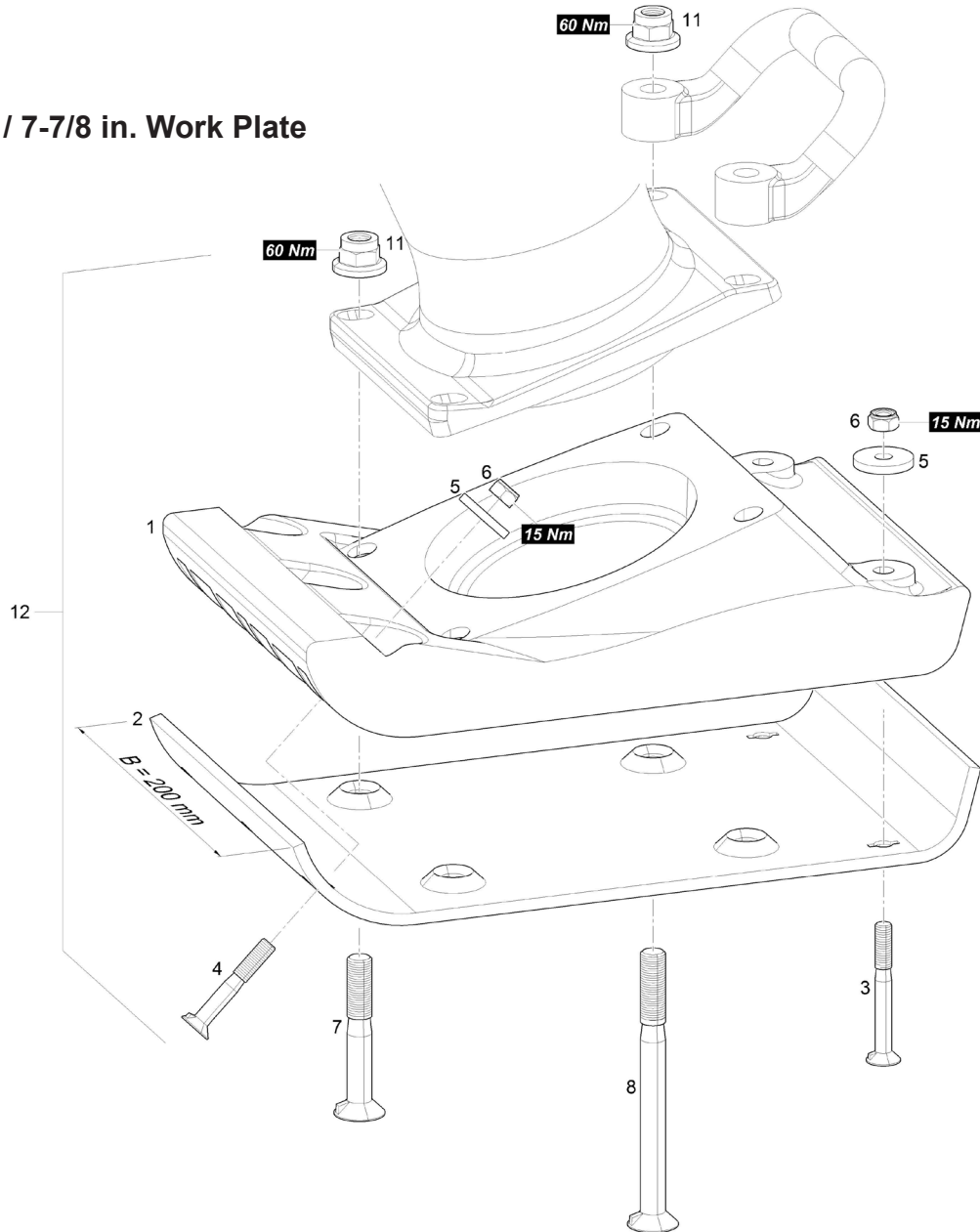
165 mm / 6-1/2 in. Work Plate



Item No.	Part No.	Qty	Description
1	75336	1	Base Plate
2	75337	1	Floor Plate
3	75787	3	Countersunk Screw
4	75316	1	Washer
5	75753	5	Hexagon Nut
6	75786	2	Countersunk Screw
7	75788	2	Countersunk Screw
10	75760	4	Hexagon Nut
A01	75348	1	Work Plate, Assembly (165mm/6-1/2 in.) Includes Items 1-10)

SRA FOOT SIZE OPTIONS (WIDTH 200MM)

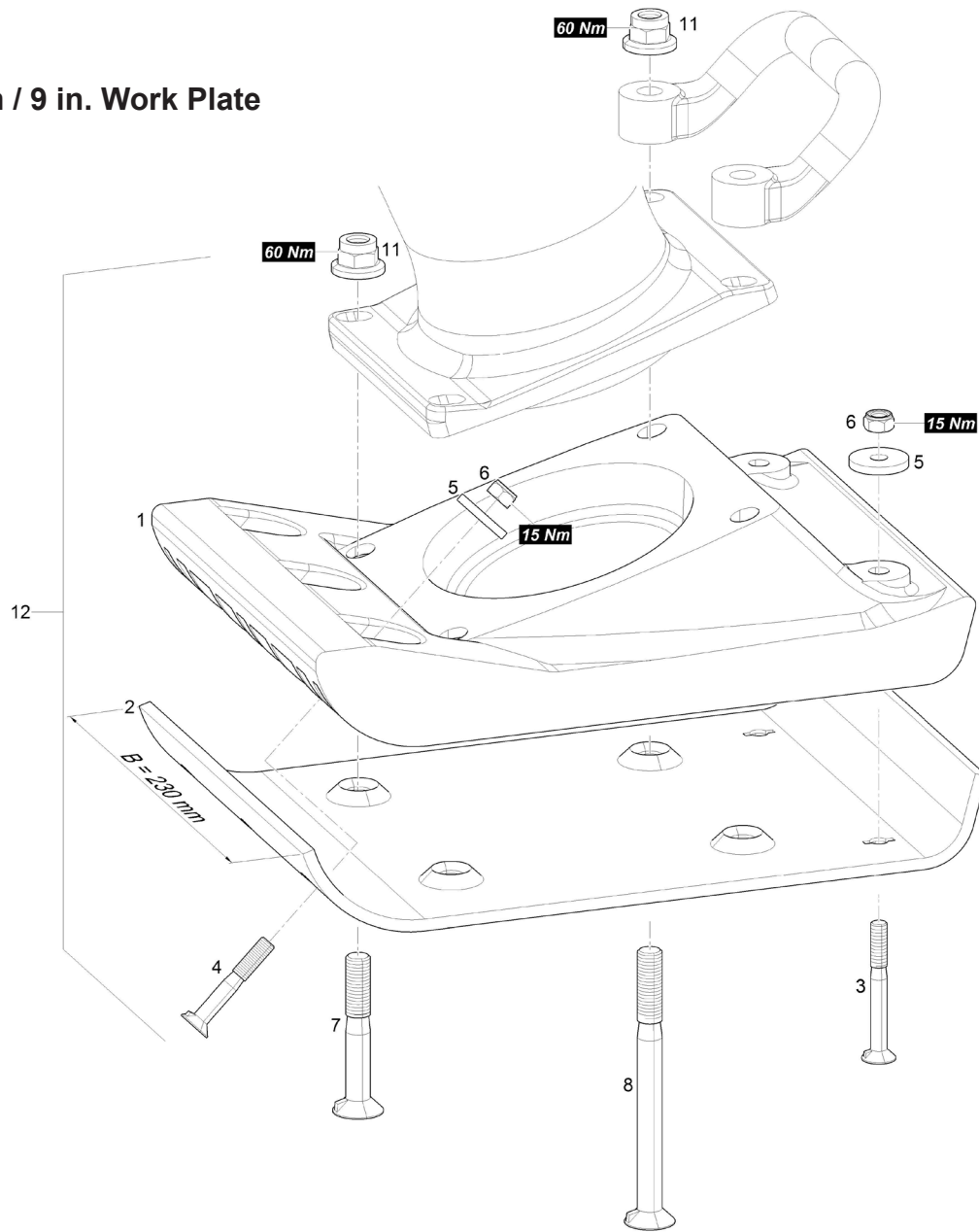
200 mm / 7-7/8 in. Work Plate



Item No.	Part No.	Qty	Description
1	75349	1	Base Plate
2	75350	1	Floor Plate
3	75789	2	Countersunk Screw
4	75787	3	Countersunk Screw
5	75316	5	Washer
6	75753	5	Hexagon Nut
7	75786	2	Countersunk Screw
8	75788	2	Countersunk Screw
11	75760	4	Hexagon Nut
A02	75347	1	Work Plate, Assembly (200mm/7-7/8 in.) Includes Items 1-11)

SRA FOOT SIZE OPTIONS (WIDTH 230MM)

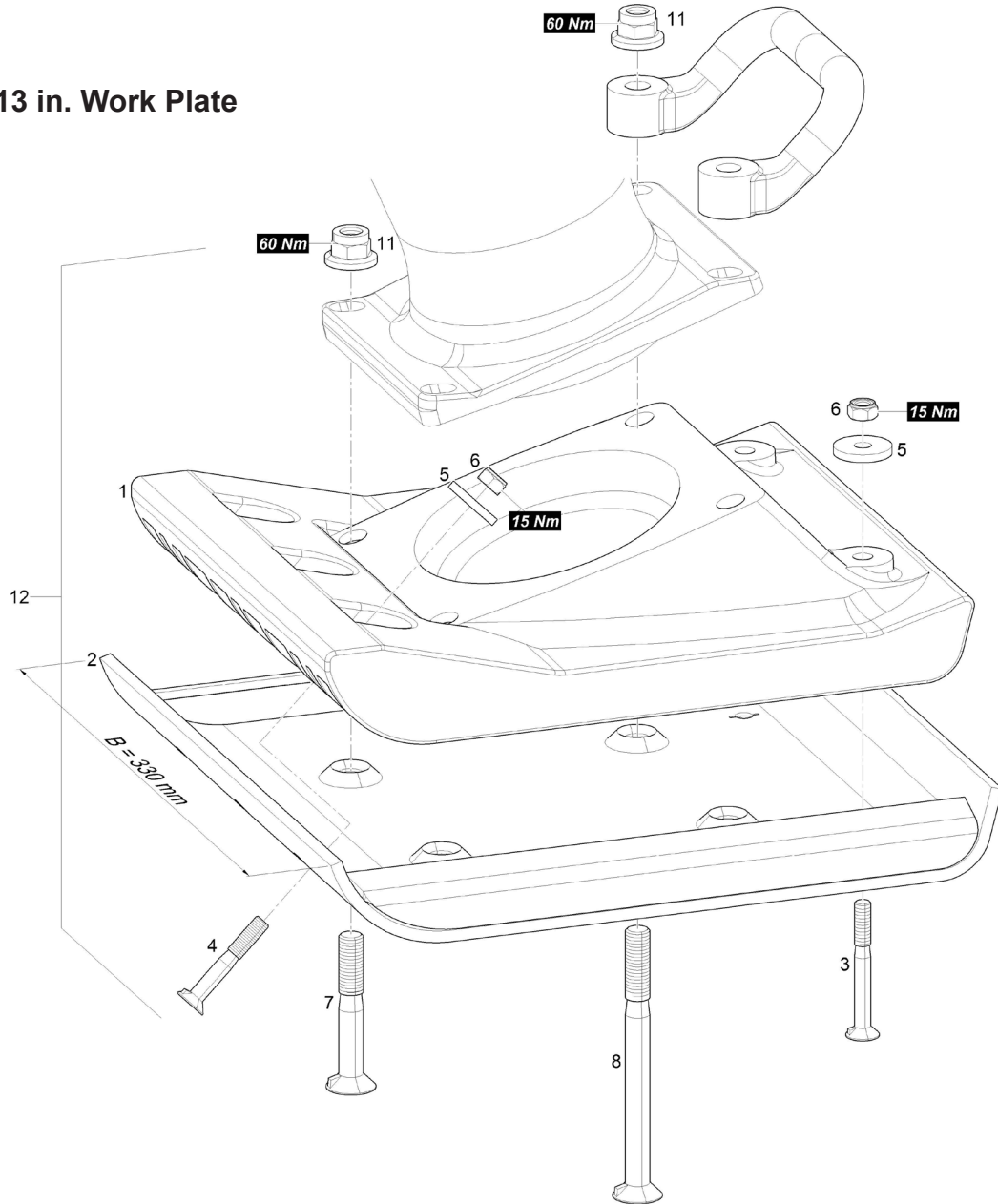
230 mm / 9 in. Work Plate



Item No.	Part No.	Qty	Description
1	75342	1	Base Plate
2	75343	1	Floor Plate
3	75789	2	Countersunk Screw
4	75787	3	Countersunk Screw
5	75316	5	Washer
6	75753	5	Hexagon Nut
7	75786	2	Countersunk Screw
8	75788	2	Countersunk Screw
11	75760	4	Hexagon Nut
A03	75346	1	Work Plate, Assembly (230mm/9 in.) Includes Items 1-11)

SRA FOOT SIZE OPTIONS (WIDTH 330MM)

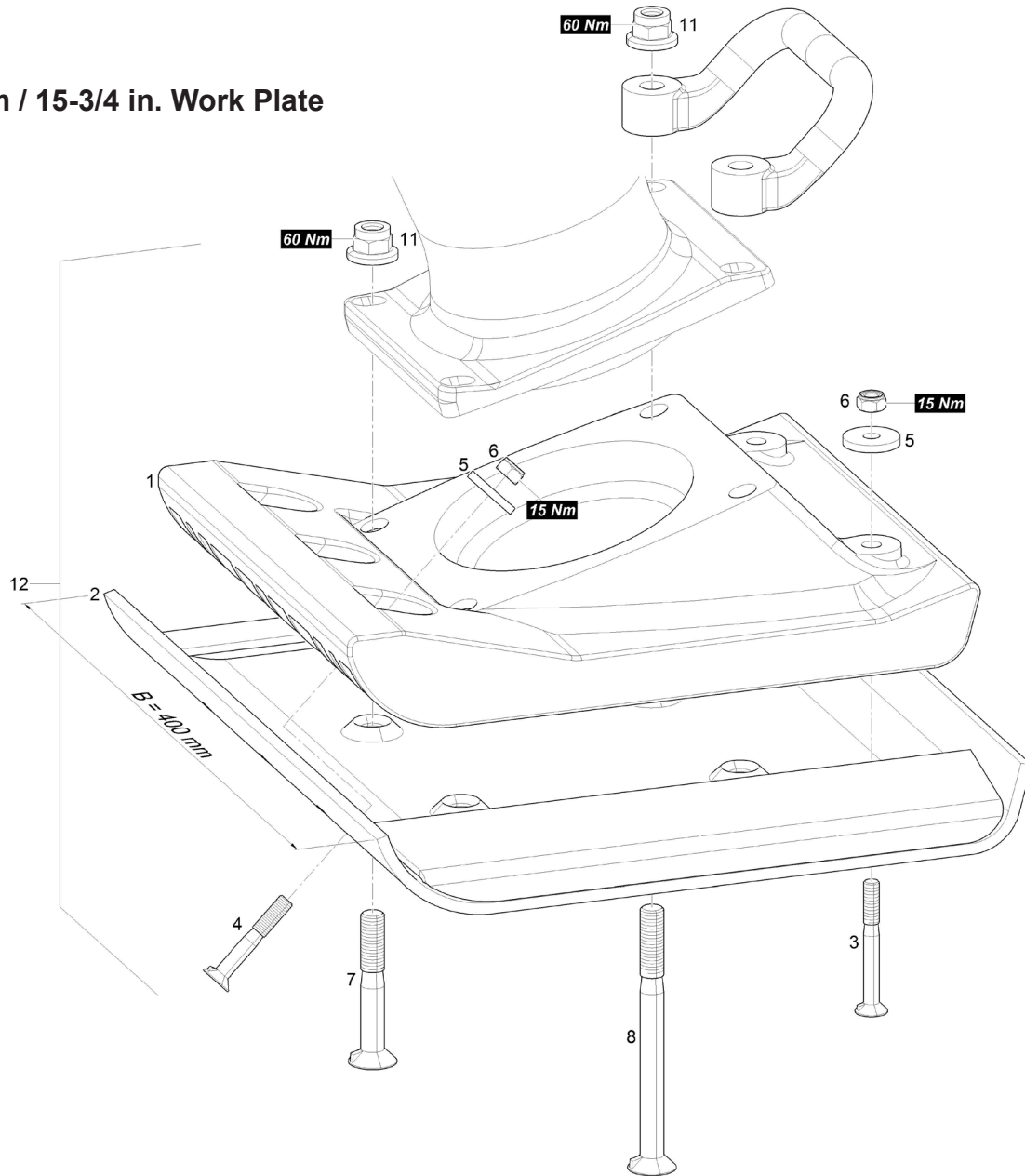
330 mm / 13 in. Work Plate



Item No.	Part No.	Qty	Description
1	75323	1	Base Plate
2	75363	1	Floor Plate
3	75789	2	Countersunk Screw
4	75787	3	Countersunk Screw
5	75316	5	Washer
6	75753	5	Hexagon Nut
7	75786	2	Countersunk Screw
8	75788	2	Countersunk Screw
11	75760	4	Hexagon Nut
A04	75358	1	Work Plate, Assembly (330mm/13 in.) Includes Items 1-11)

SRA FOOT SIZE OPTIONS (WIDTH 400MM)

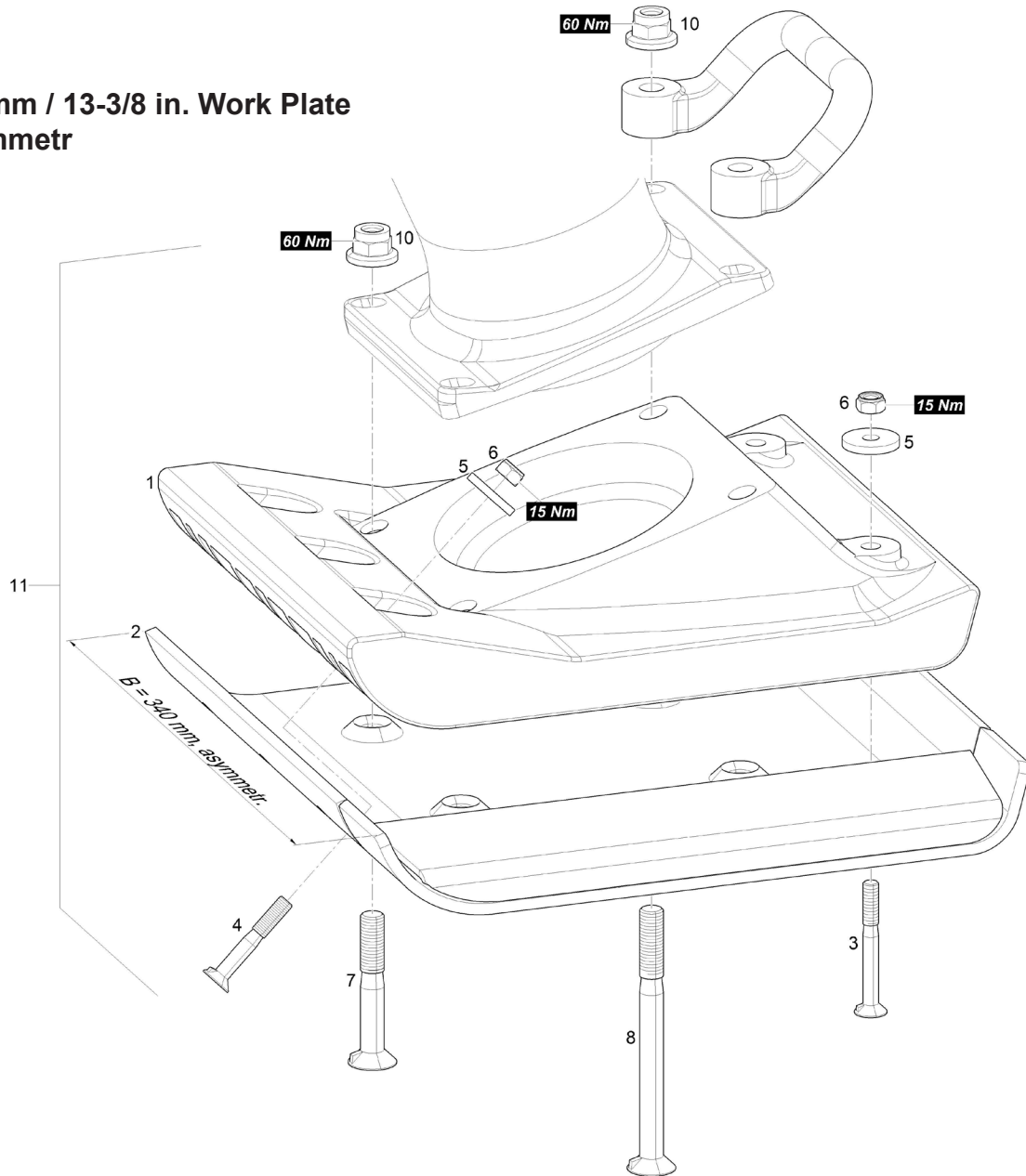
400 mm / 15-3/4 in. Work Plate



Item No.	Part No.	Qty	Description
1	75323	1	Base Plate
2	75364	1	Floor Plate
3	75789	2	Countersunk Screw
4	75787	3	Countersunk Screw
5	75316	5	Washer
6	75753	5	Hexagon Nut
7	75786	2	Countersunk Screw
8	75788	2	Countersunk Screw
11	75760	4	Hexagon Nut
A05	75359	1	Work Plate, Assembly (400mm/15-3/4 in.) Includes Items 1-11)

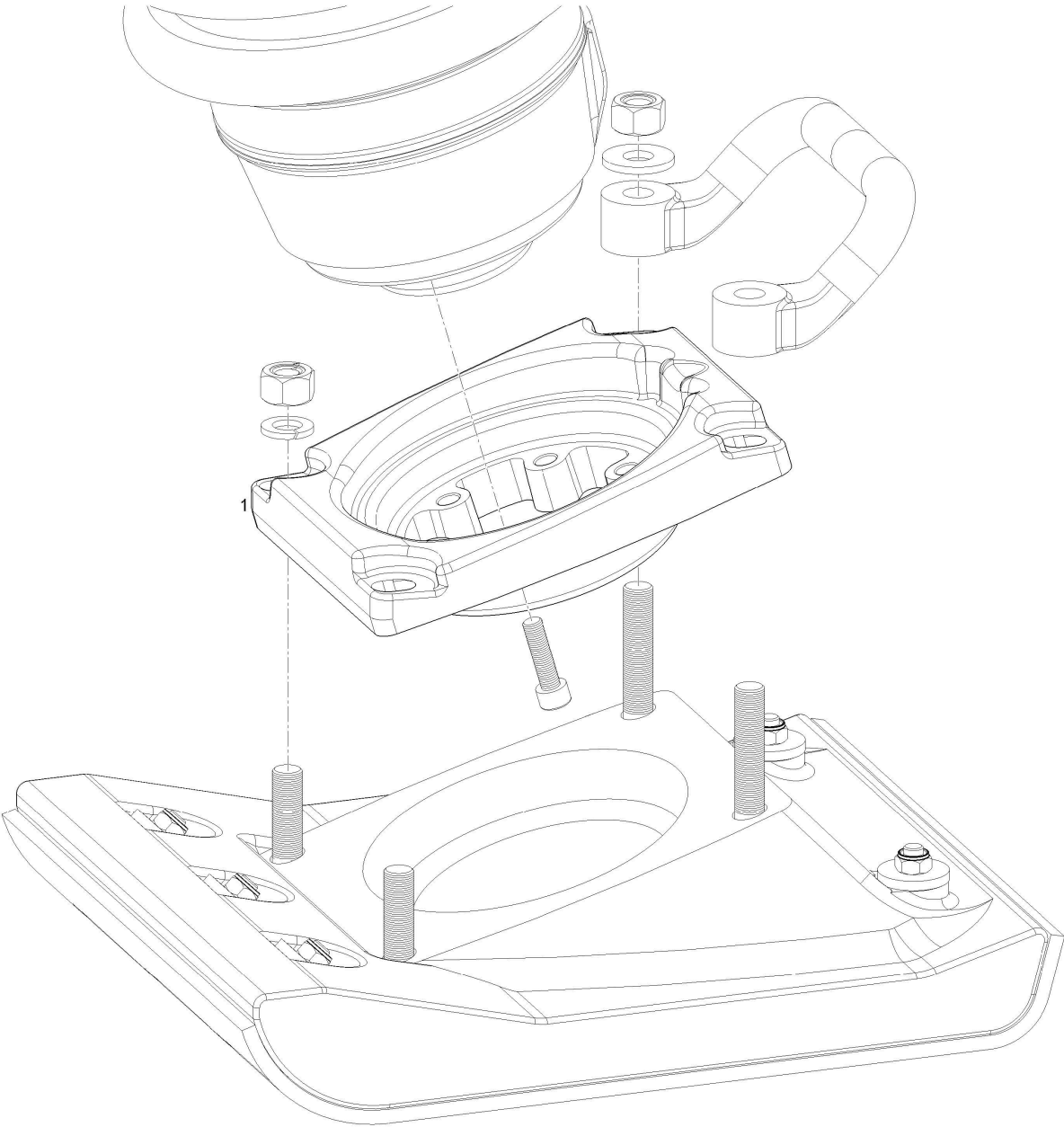
SRA FOOT SIZE OPTIONS (WIDTH 340MM ASYMMETR)

340 mm / 13-3/8 in. Work Plate
Asymmetr



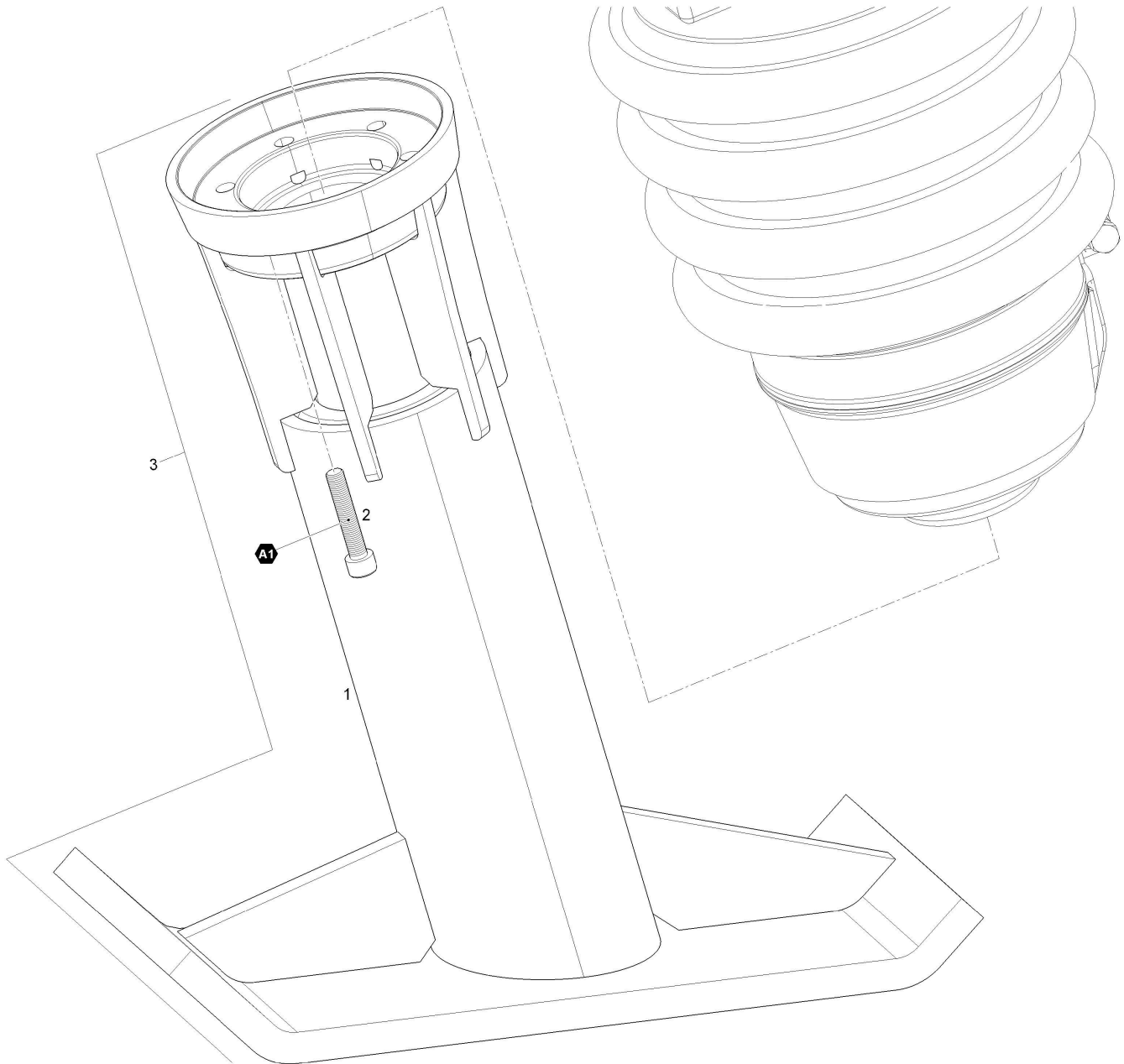
Item No.	Part No.	Qty	Description
1	75323	1	Base Plate
2	75368	1	Floor Plate
3	75789	2	Countersunk Screw
4	75787	3	Countersunk Screw
5	75316	5	Washer
6	75753	5	Hexagon Nut
7	75786	2	Countersunk Screw
8	75788	2	Countersunk Screw
10	75760	4	Hexagon Nut
A06	75367	1	Work Plate, Assembly, Asymmetr (340mm/13-3/8 in.) Includes Items 1-10)

SRA PARTS INTERMEDIATE PIECE, SHORT (OPTION)



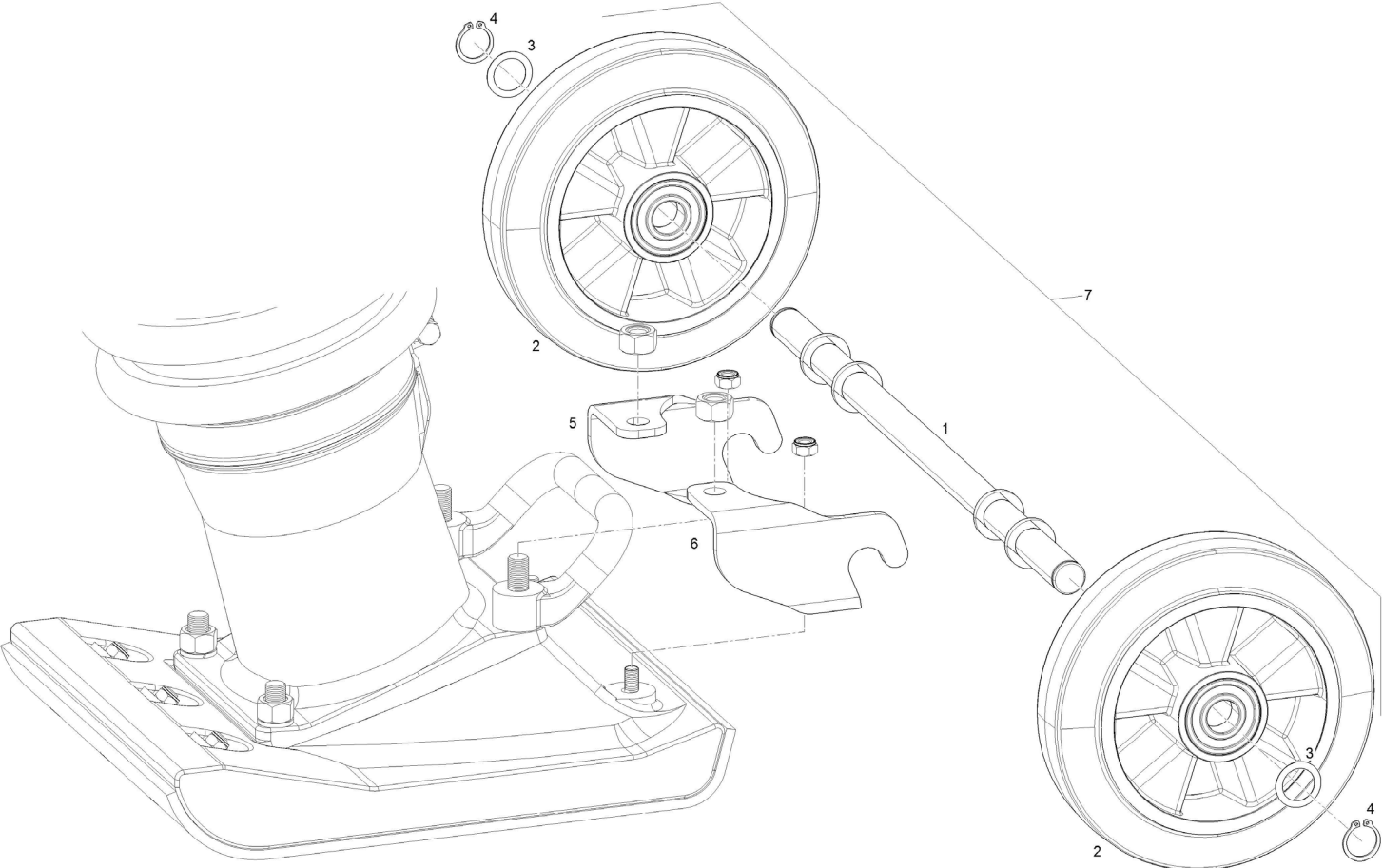
Item No.	Part No.	Qty	Description
A07	75322	1	Intermediate Piece, Short

SRA FOOT EXTENSION PARTS



Item No.	Part No.	Qty	Description
1	75369	1	Foot Extension
2	75694	6	Socket Head Cap Screw
A08	75370	1	Foot Extension Assembly (Includes Items 1 & 2)

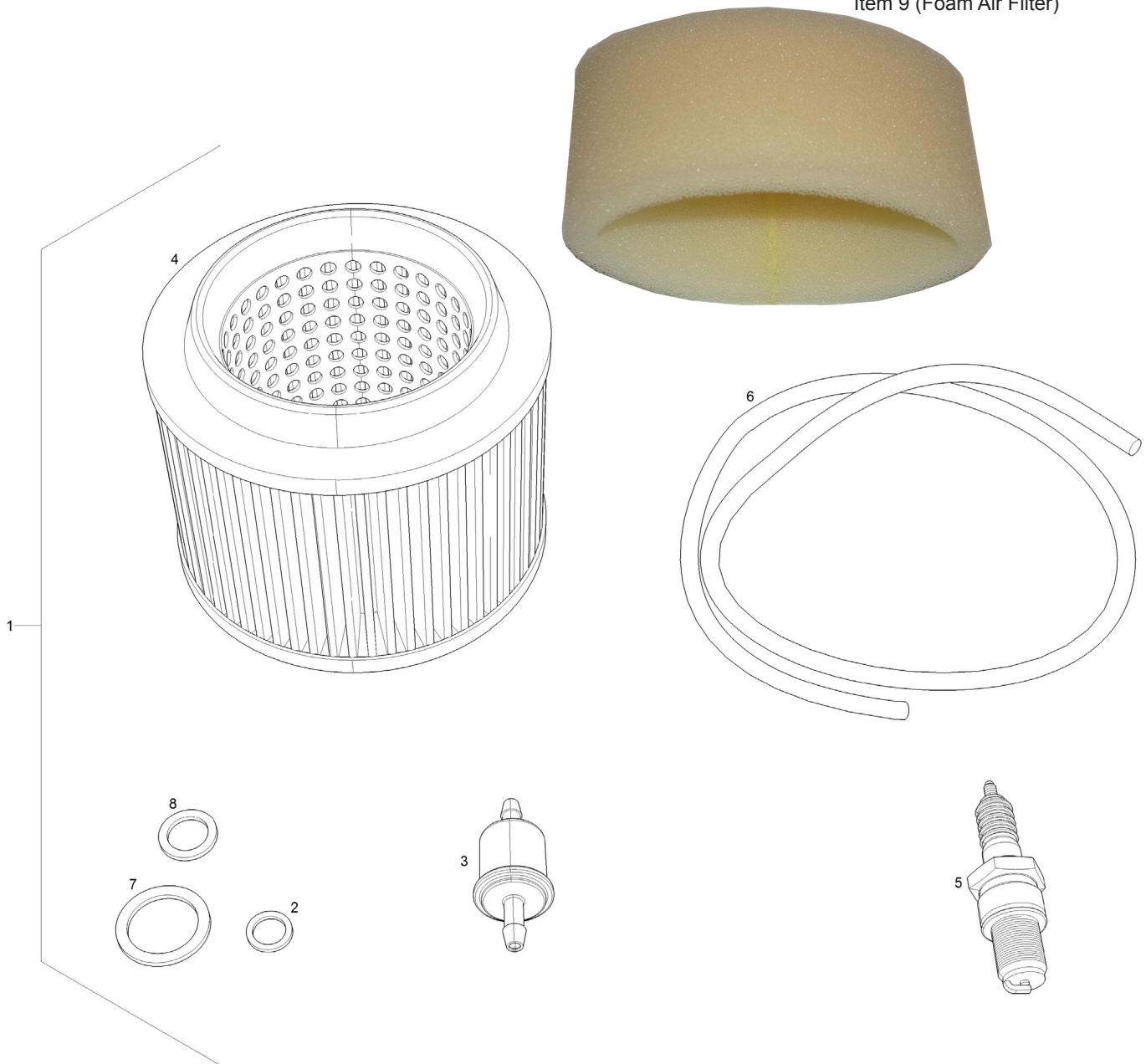
SRA TRAILER ASSY PARTS



Item No.	Part No.	Qty	Description
1	75372	1	Axle
2	75637	2	Wheel
3	75517	2	Cap
4	75493	2	Retaining Ring
5	75331	1	Fastener
6	75332	1	Fastener
A09	75085	1	Trailer Assembly (Includes Items 1-6)

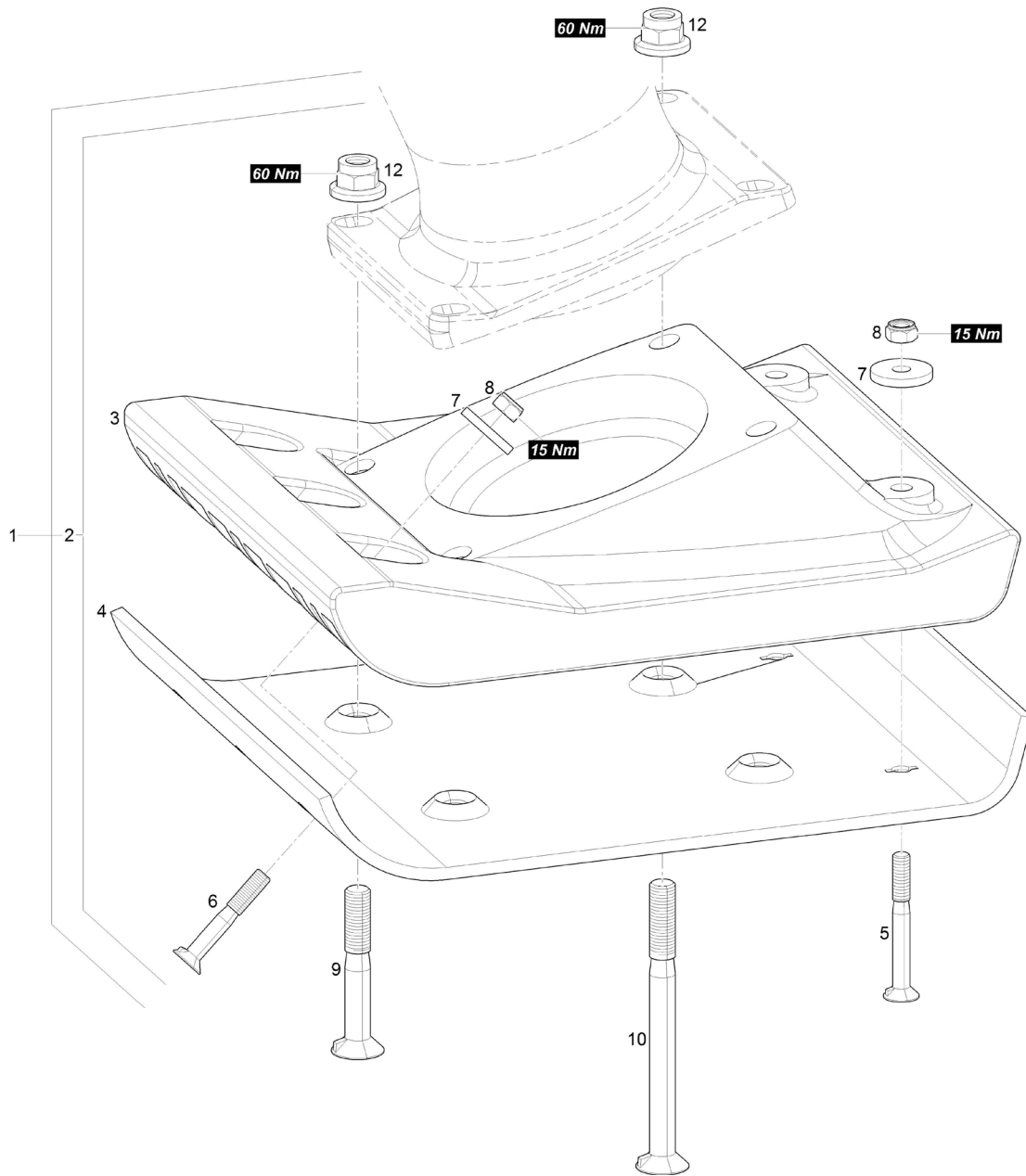
SRA (MAINTENANCE KIT)

Item 9 (Foam Air Filter)



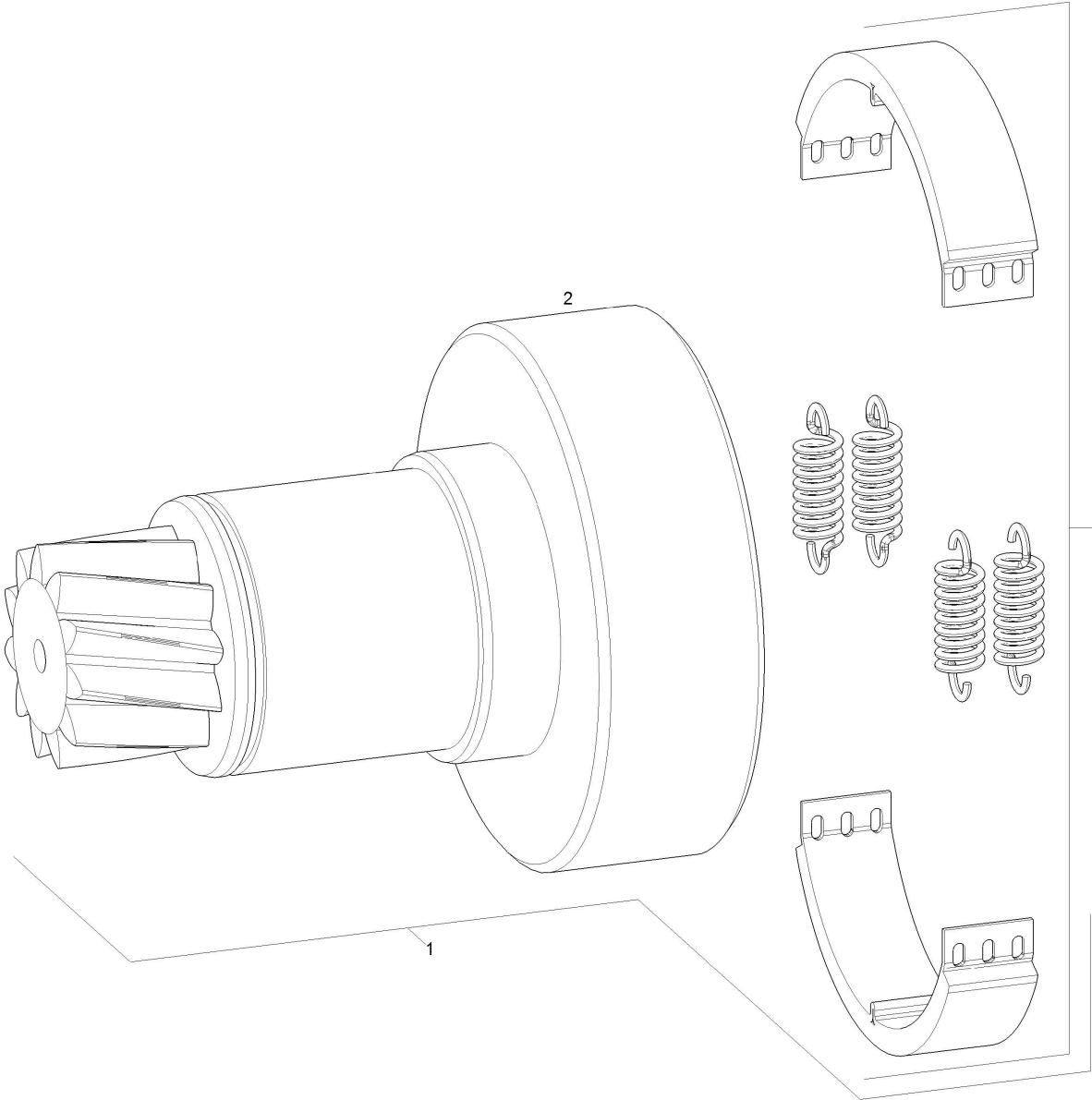
Item No.	Part No.	Qty	Description
1	75088	1	Maintenance Kit (Includes Items 2 - 9)
2	75871	1	Washer
3	75563	1	Fuel Filter
4	75570	1	Filter Element
5	75875	1	Spark Plug
6	75867	1	Starter Rope
7	75456	1	Joint Washer
8	75457	1	Joint Washer
9	76479	1	Foam Air Filter

SRA BASE PLATE KIT



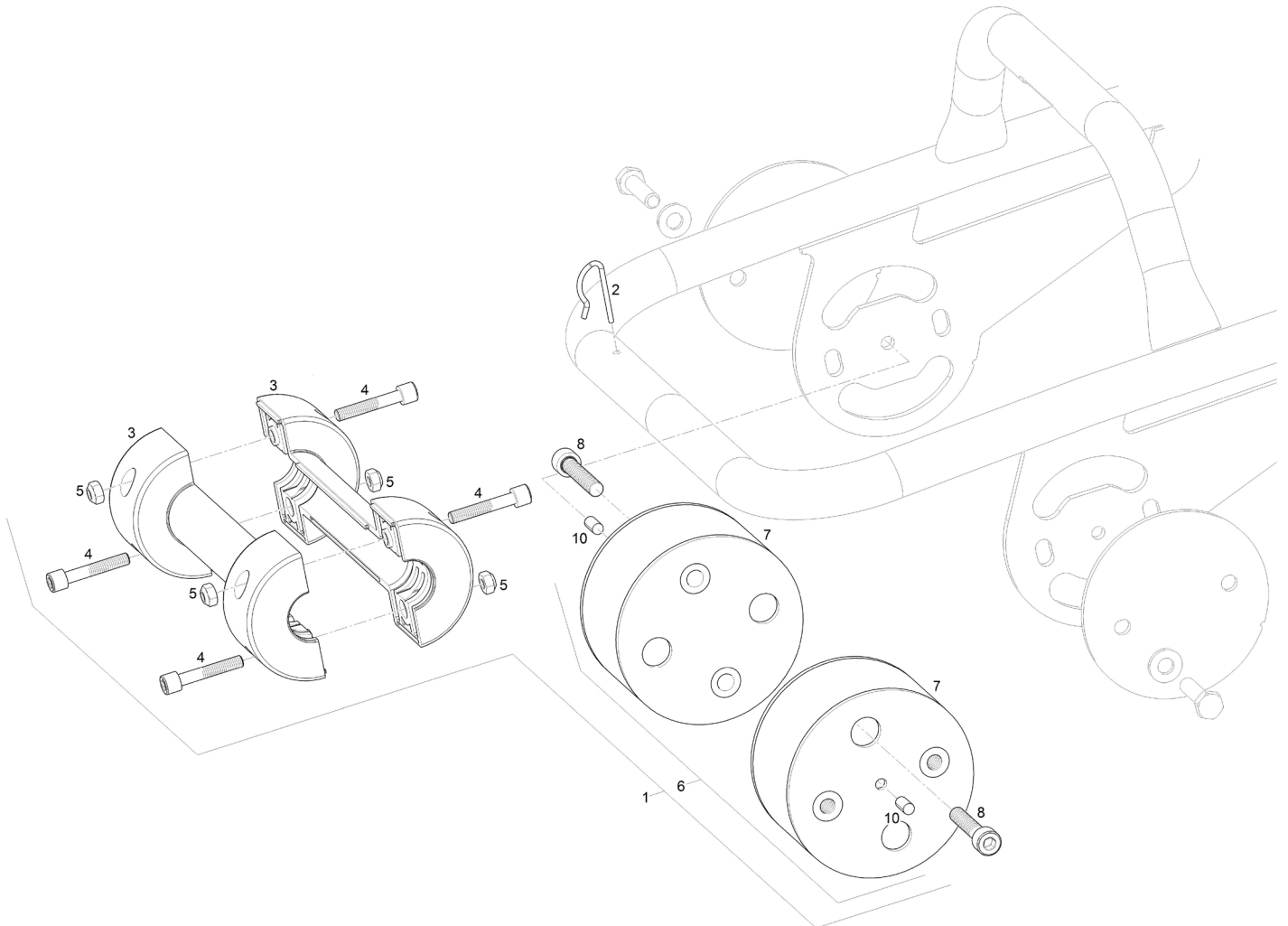
Item No.	Part No.	Qty	Description
1	75836	1	Wear Parts Kit Base Plate (Includes Items 3-12)
2	75366	1	Work Plate Assembly (Includes Items 3-12 & 75393 Grip)
3	75323	1	Base Plate
4	75324	1	Floor Plate
5	75789	2	Countersunk Screw
6	75787	3	Countersunk Screw
7	75316	5	Washer
8	75753	5	Hexagon Nut
9	75786	2	Countersunk Screw
10	75788	2	Countersunk Screw
12	75760	4	Hexagon Nut

REPAIR KIT (COUPLING)



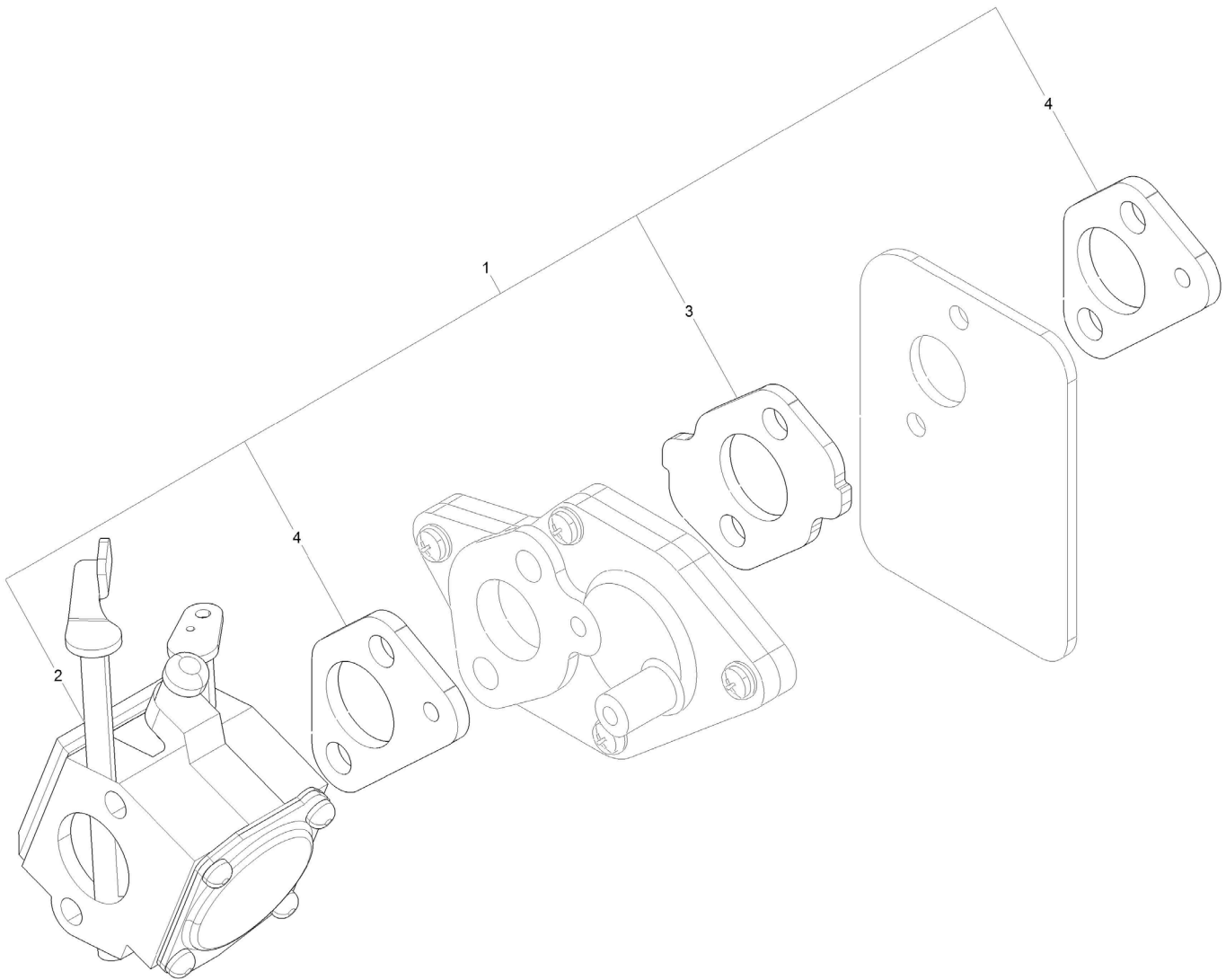
Item No.	Part No.	Qty	Description
1	75790	1	Repair Kit Coupling (Includes items 2 & 3)
2	75318	1	Clutch Socket
3	75600	1	Set of Lining Straps

REPAIR KIT (CARRYING ROLLER)



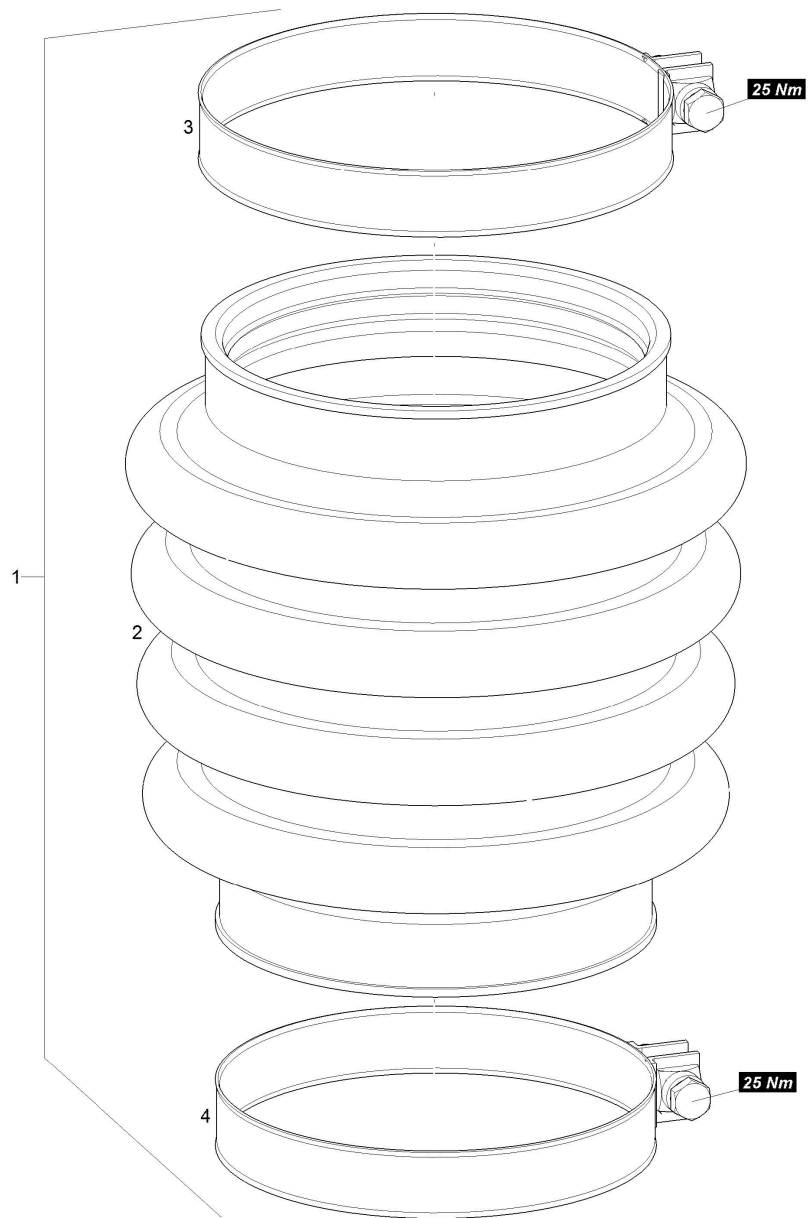
Item No.	Part No.	Qty	Description
1	75794	1	Repair Kit (Carrying Roller) (Includes Items 2-6)
2	75319	1	Retaining Pin
3	75371	2	Carrying Roller
4	75676	4	Socket Head Cap Screw
5	75752	4	Hexagon Nut
6	75793	1	Repair Kit (Holding Bow) (Includes Items 7-10)
7	75471	2	Spring Element
8	75682	4	Socket Head Cap Screw
10	75539	2	Cylindrical Pin

REPAIR KIT (CARBURATOR)



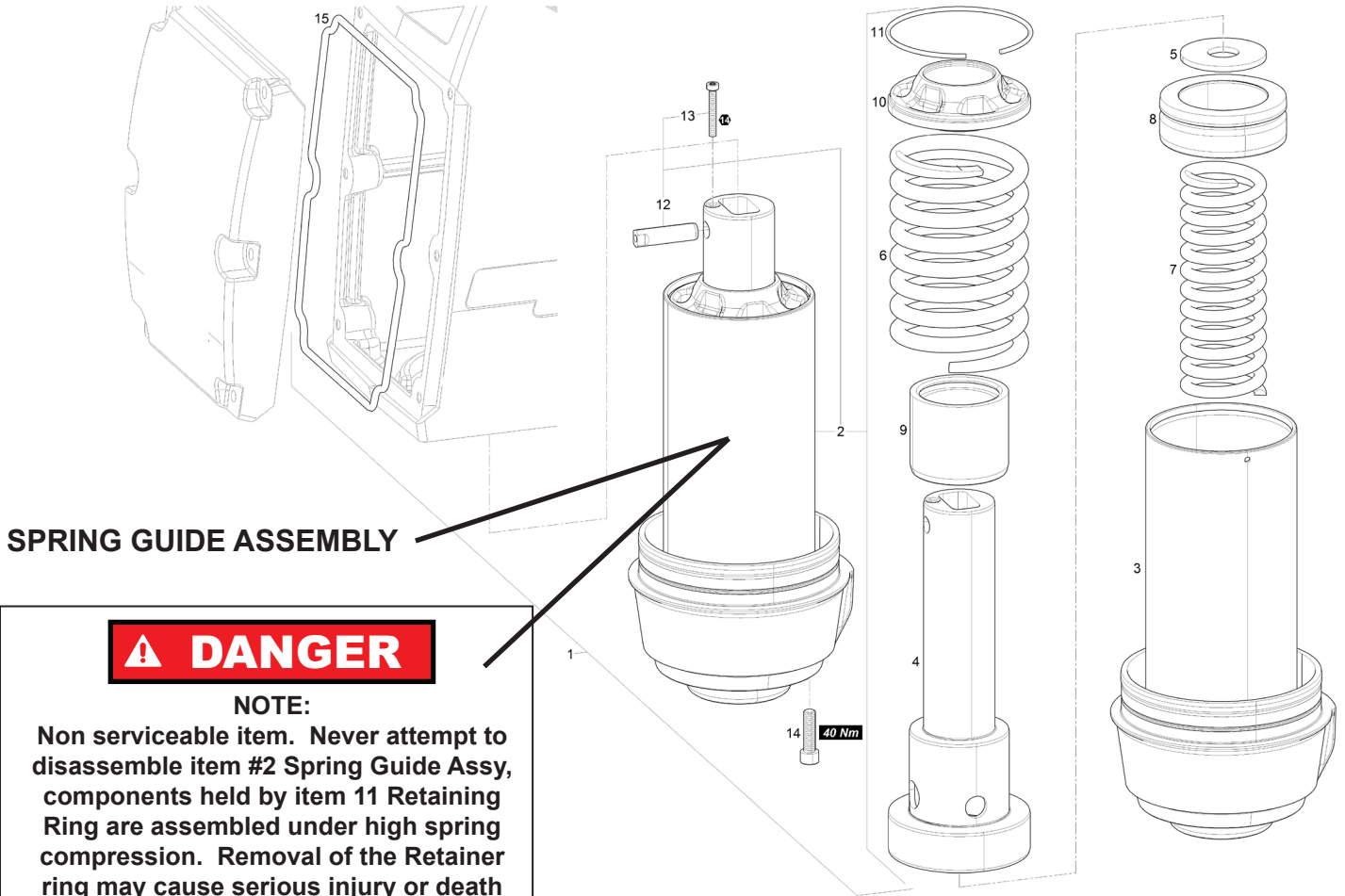
Item No.	Part No.	Qty	Description
1	75791	1	Repair Kit (Carburator) (Includes Items 2-4)
2	75863	1	Carburator
3	75864	1	Gasket
4	75865	2	Gasket

REPAIR KIT (BELLOW)



Item No.	Part No.	Qty	Description
1	75795	1	Repair Kit (Bellow) (Includes Items 2-4)
2	75381	1	Bellow
3	75551	1	Hose Clamp
4	75552	1	Hose Clamp

REPAIR KIT (SPRING LEG)



SPRING GUIDE ASSEMBLY

⚠ DANGER

NOTE:

Non serviceable item. Never attempt to disassemble item #2 Spring Guide Assy, components held by item 11 Retaining Ring are assembled under high spring compression. Removal of the Retainer ring may cause serious injury or death when energy is released. Items 3 thru 11 must be purchased as an assembly (see item # 2 P/N-75341 Spring guide assy).

Item No.	Part No.	Qty	Description
1	75792	1	Repair Kit (Spring Leg) (Includes Items 2 & 12-15)
2	75341	1	Spring Guide Assembly (Includes items 3-11)
12	75376	1	Bolt
13	75782	1	Socket Head Cap Screw
14	75694	6	Socket Head Cap Screw
15	75426	1	O-Ring

STANLEY®

Stanley Hydraulic Tools
3810 SE Naef Road
Milwaukie, Oregon 97267-5698 USA
(503) 659-5660 / Fax (503) 652-1780
www.stanleyhydraulics.com