

STANLEY®

SRP 2240 COMPACTION REVERSIBLE PLATE



SRP 2240

PARTS MANUAL



© 2015 Stanley Black & Decker, Inc.
New Britain, CT 06053
U.S.A.
74945 5/2017 Ver 3

TABLE OF CONTENTS

MACHINE INFORMATION	3
ADHESIVES	4
PARTS SRP 2240.....	5 THRU 11
DECALS	12
MAINTENANCE KIT.....	13
WEAR PARTS KIT, SPRING ELEMENT	14
WEAR PARTS KIT, BASE PLATE	15
WEAR PARTS KIT, PISTON.....	16
WEAR PARTS KIT, CONTROL BLOCK	17
REPAIR KIT, EXCITER.....	18

IMPORTANT

To fill out a Product Warranty Validation form, and for information on your warranty, visit Stanleyhydraulics.com and select the Company tab, Warranty.
(NOTE: The warranty Validation record must be submitted to validate the warranty).

SERVICING: This manual contains spare parts. Stanley Hydraulic Tools recommends that servicing this machine, other than routine maintenance, must be performed by an authorized and certified dealer. Please read the following warning.

⚠ WARNING

SERIOUS INJURY OR DEATH COULD RESULT FROM THE IMPROPER REPAIR OR SERVICE OF THIS TOOL.

REPAIRS AND / OR SERVICE TO THIS TOOL MUST ONLY BE DONE BY AN AUTHORIZED AND CERTIFIED DEALER.

For the nearest authorized and certified dealer, call Stanley Hydraulic Tools at the number listed on the back of this manual and ask for a Customer Service Representative.

MACHINE INFORMATION



These instructions include:

- Safety regulations
- Operating instructions
- Maintenance instructions

These instructions are intended to simplify operation of the machine and to avoid malfunctions through improper operation. Observing the maintenance instructions will increase the reliability and service life of the machine when used on the construction site and reduce repair costs and downtimes.

Always keep these instructions at the place of use of the machine.

Only operate the machine as instructed and follow these instructions.

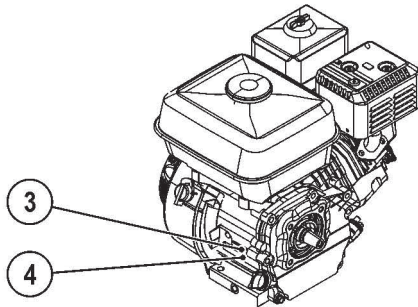
Do not fail to comply with the safety provisions, as well as the rules for safety and health protection at work as well as the applicable accident prevention regulations. Also observe the corresponding rules and regulations valid in your state and or country.

Stanley is not liable for the function of the machine when used in an improper manner and for other than the intended purpose.

Operating errors, improper maintenance and the use of incorrect operating materials are not covered by the warranty.

The above information does not extend the warranty and liability conditions of business of Stanley.

HONDA



We reserve the right to make changes due to technical development without announcement.

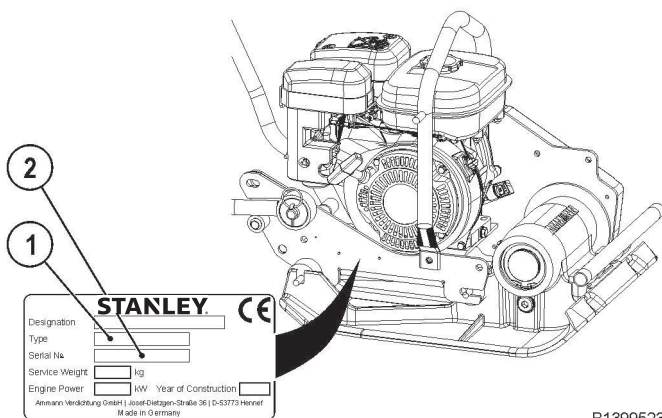
PLEASE ENTER (DATA ON MACHINE TYPE PLATE)

1. MACH.-TYPE: _____

2. MACH.-NO.: _____

3. ENGINE-TYPE: _____

4. ENGINE-NO.: _____



B1399523

Stanley Hydraulic Tools
3810 SE Naef Rd
Milwaukie, OR 97267
Ph: 503-659-5660
Fax: 503-652-1780

ADHESIVES

Sealing- and bonding adhesives

A1	1	2-9L0 00 002	Loctite 262	250 ml
A2	2	2-806 05 260	Loctite 5205	300 ml
A3	3	2-806 02 010	Shell Alvania R3	1.0 kg
A4	4	2-9IH 00 001	Epple 22	250 ml
A5	5	2-9K0 00 020	Klüber 46 MR401	0.75 kg
A6	6	2-806 05 060	Atmosit Compact	75 ml
A7	7	2-806 05 200	Sico Met 50	20 g
A8	8	2-806 05 170	Omni Visc 1002	
A9	9	2-806 02 050	Shell Alvania EP1	600 g
A10	10	2-806 05 310	Beta Link K1	
A11	11	2-806 03 017	Metaflux	
A12	12	2-806 05 290	Loctite 5910	300 ml
A13	13	2-9L0 00 001	Loctite Cleaner 7063	450 ml
A14	14	2-9L0 00 006	Loctite 221	50 ml
A15	15	2-806 05 090	Omni Visc 1050	50 ml
	16	2-9L000005	Loctite 638	250 ml

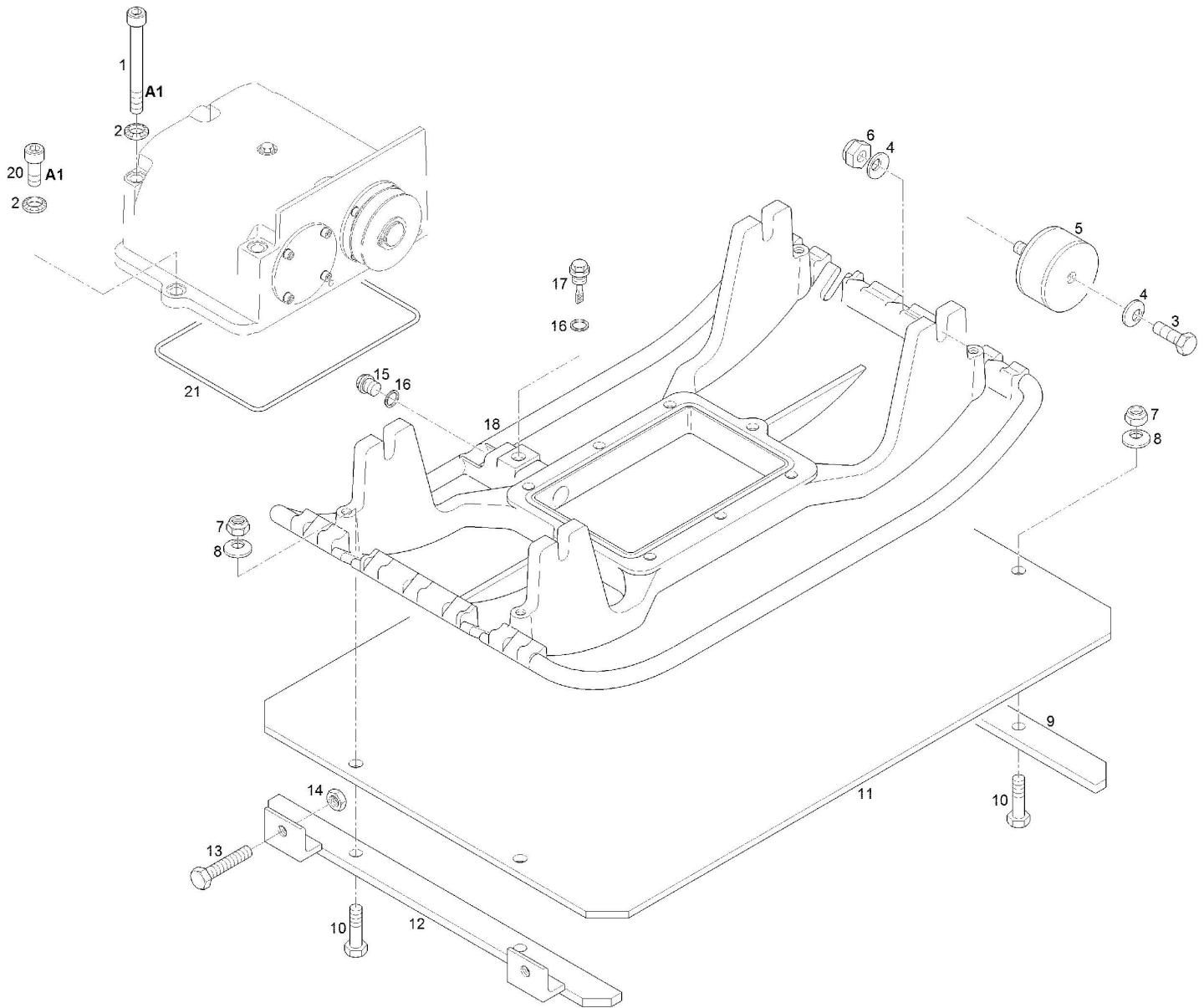
TAB01010.cdr

as specified in the individual exploded views

Conversion: Newton-Meters to in. lb. and ft. lb.

Nm	In. lb.	Ft. lb.
5	44.2	3.6
10	88.5	7.3
15	132	11.0
20	177	14.7
25	221.2	18.4
30	265.5	22.1
35	309.7	25.8
40	354	29.5
45	398.2	33.1
50	442	36.8
55	486.7	40.5
60	531	44.2

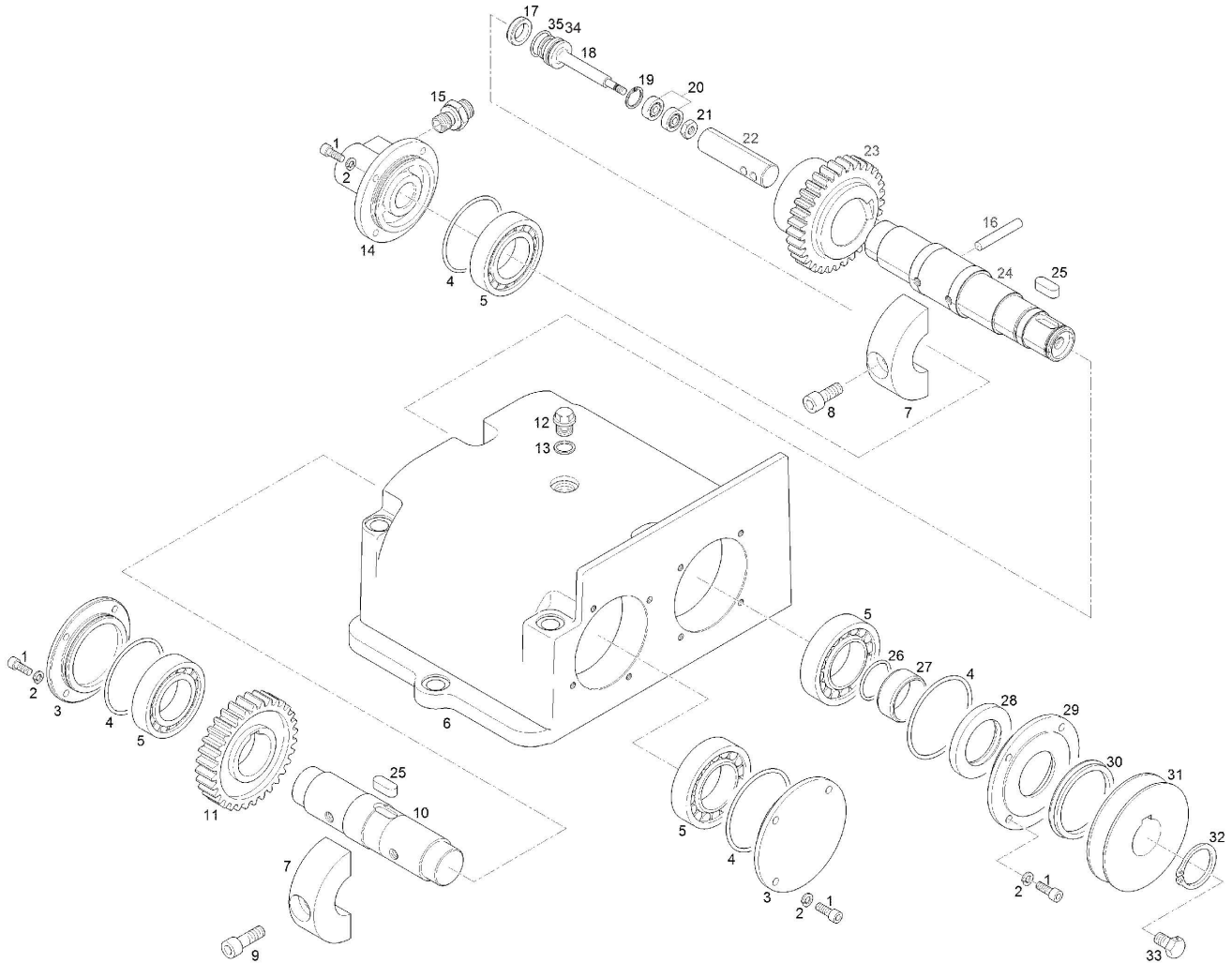
SRP 2240 PARTS



Item #	Part #	Qty	Description
1	75700	6	Socket Head Cap Screw
2	75523	8	Lock Washer
3	75735	4	Hexagon Head Cap Screw
4	75528	8	Conical Spring Washer
5	75392	4	Rubber Buffer
6	75755	4	Hexagon Nut
7	75755	4	Hexagon Nut
8	75528	4	Conical Spring Washer
9	75200	1	Flat Steel
10	75716	4	Hexagon Head Cap Screw
11	75185	1	Plate Vulkollan

Item #	Part #	Qty	Description
12	75186	1	Clamping Piece
13	75739	2	Hexagon Head Cap Screw
14	75749	2	Hexagon Nut
15	75672	1	Screw Plug
16	75453	2	Joint Washer
17	75211	1	Oil Measuring Plug
18	75187	1	Base Plate
20	75698	2	Hexagon Head Cap Screw
21	75439	1	O-Ring
A01	75886	1	Plate Vulkollan, Assy. (Includes items 4, 6 & 9 thru 14)

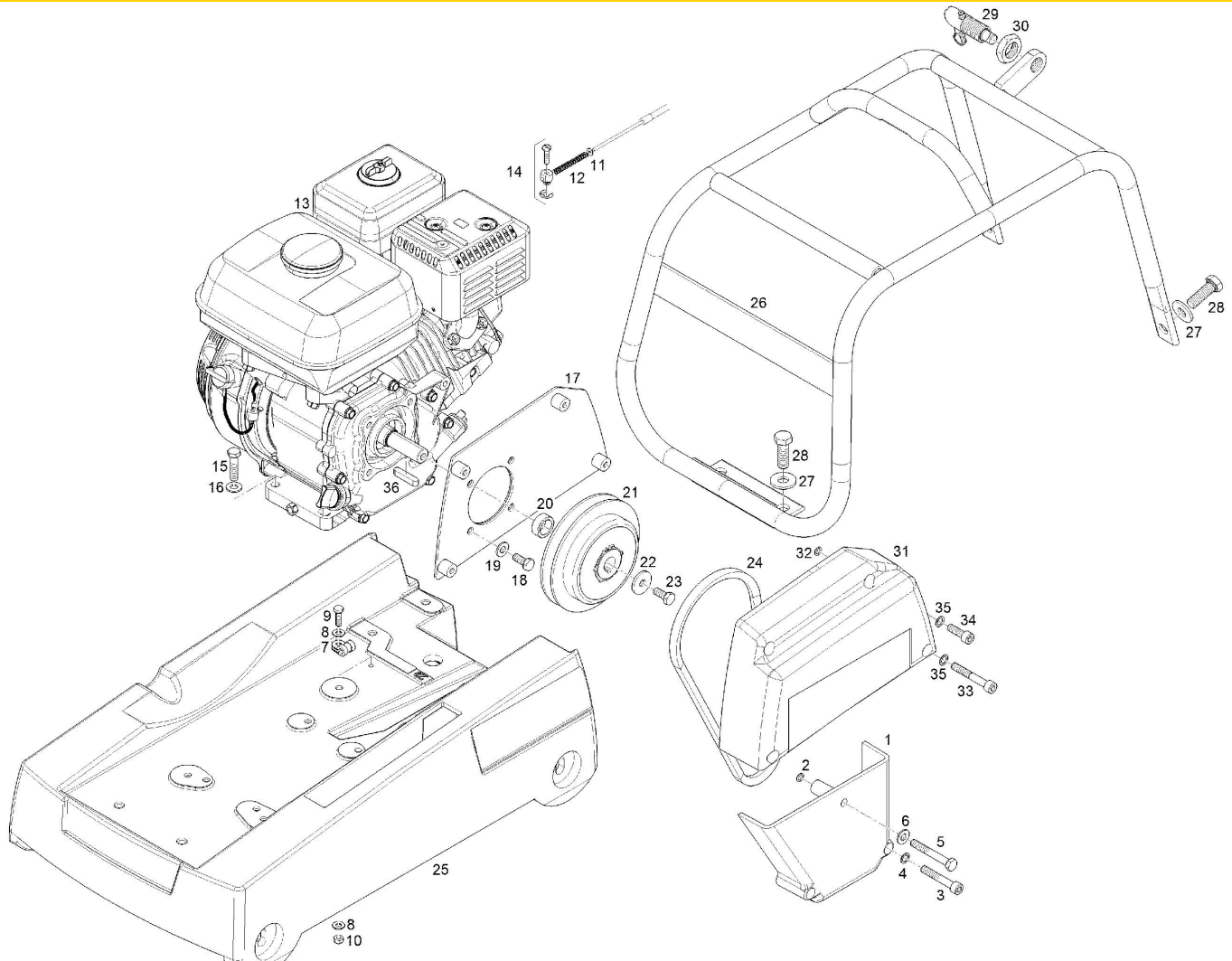
SRP 2240 PARTS



Item #	Part #	Qty	Description
1	75673	16	Socket Head Cap Screw
2	75520	16	Lock Washer
3	75203	2	Bearing Cover
4	75442	4	O-Ring
5	75405	4	Cylindrical Roller Bearing
6	75202	1	Exciter Housing
7	75191	4	Excentric Weight
8	75696	2	Socket Head Cap Screw
9	75697	2	Socket Head Cap Screw
10	75189	1	Exciter Shaft
11	75188	1	Gear Wheel
12	75672	1	Screw Plug
13	75453	1	Joint Washer
14	75192	1	Bearing Cover
15	75557	1	Male Stud Standpipe
16	75537	1	Pin
17	75450	1	Piston Packing
18	75218	1	Piston

Item #	Part #	Qty	Description
19	75490	1	Retaining Ring
20	75402	2	Deep Groove Ball Bearing
21	75772	1	Hexagon Nut
22	75215	1	Guide
23	75205	1	Gear Wheel
24	75204	1	Exciter Shaft
25	75479	2	Key
26	75425	1	O-Ring
27	75413	1	Internal Ring
28	75415	1	Rotary Shaft Seal
29	75190	1	Sealing Flange
30	75443	1	V-Ring
31	75201	1	V-Belt Pulley
32	75496	1	Retaining Ring
33	75216	1	Venting Screw
34	75530	4	Conical Spring Washer
35	75424	1	O-Ring

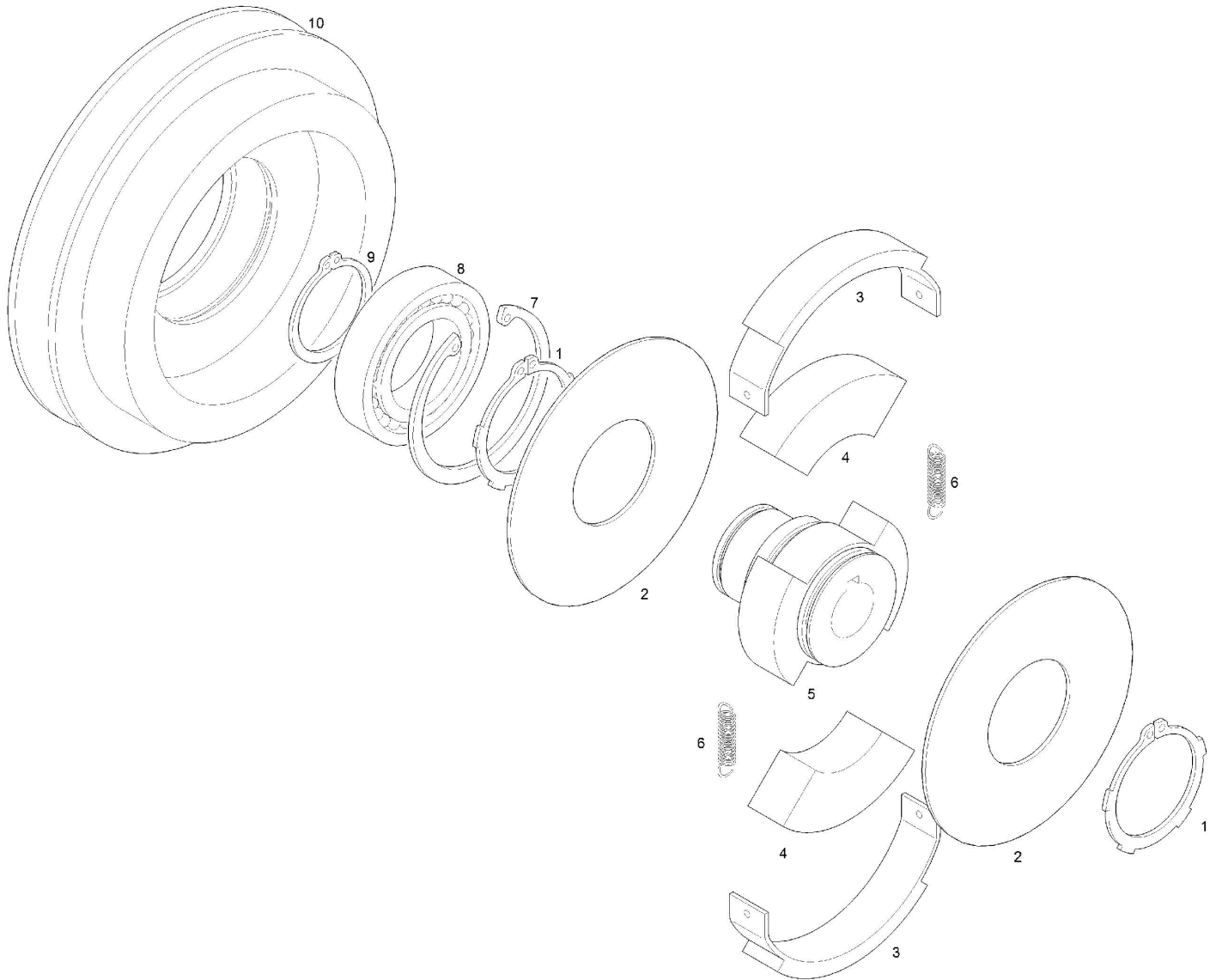
SRP 2240 PARTS



Item #	Part #	Qty	Description
1	75217	1	Belt Guard
2	75433	3	O-Ring
3	75683	2	Socket Head Cap Screw
4	75521	2	Lock Washer
5	75711	1	Hexagonal Head Cap Screw
6	75531	1	Conical Spring Washer
7	75543	1	Pipe Retaining Clip
8	75533	2	Conical Spring Washer
9	75707	1	Hexagonal Head Cap Screw
10	75752	1	Hexagon Nut
11	75510	1	Washer
12	75536	1	Pressure Spring
13	75630	1	Petrol Engine
14	75634	1	Fastener Control Cable
15	75730	4	Hexagonal Head Cap Screw
16	75531	4	Conical Spring Washer
17	75196	1	Belt Guard
18	75727	4	Hexagonal Head Cap Screw

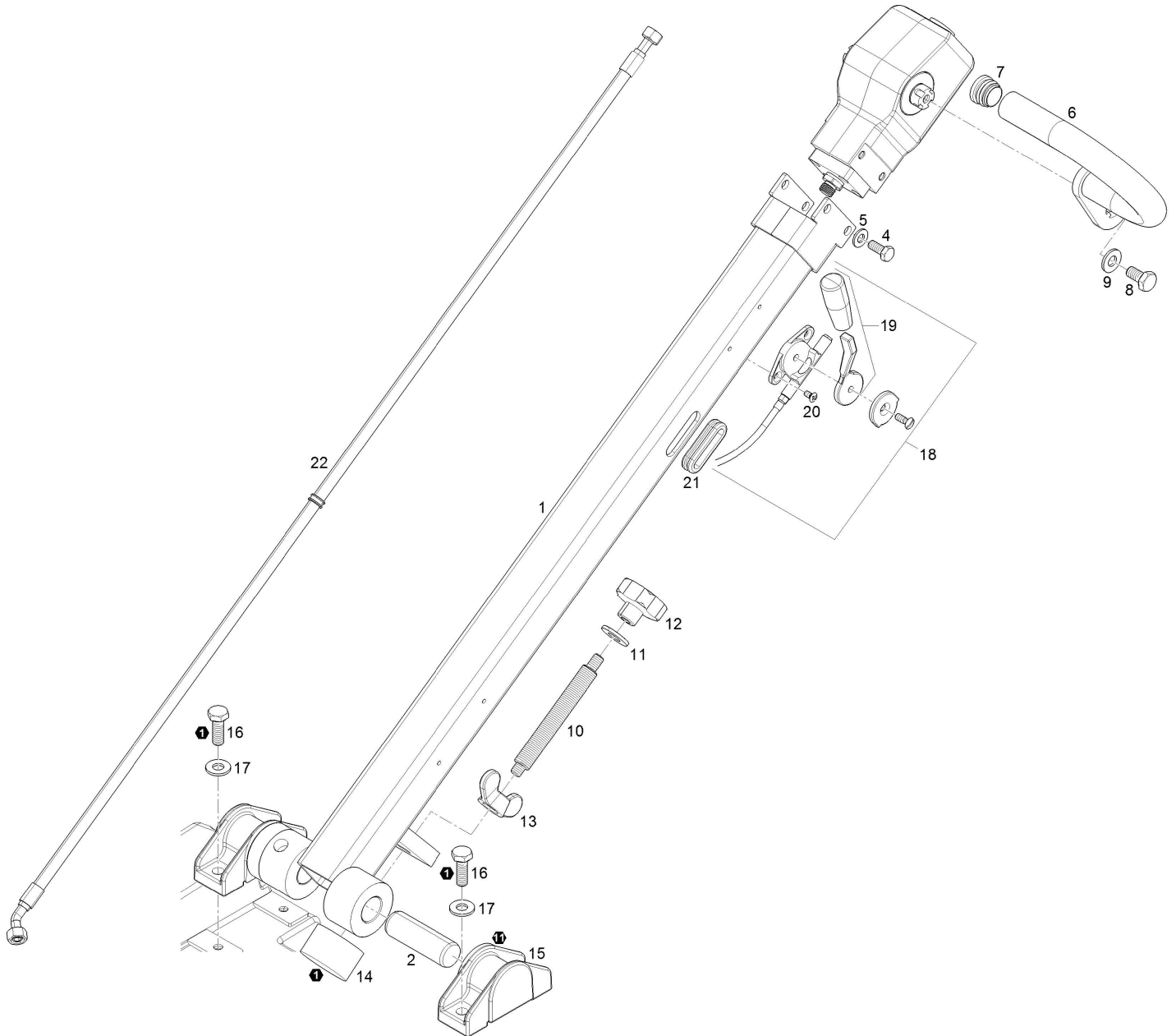
Item #	Part #	Qty	Description
19	75531	4	Conical Spring Washer
20	75193	1	Bush
21	75584	1	Centrifugal Clutch
22	75515	1	Washer
23	75742	1	Hexagonal Head Cap Screw
24	75462	1	V-Belt
25	75194	1	Upper Part
26	75197	1	Hoop Guard
27	75528	4	Conical Spring Washer
28	75738	4	Hexagonal Head Cap Screw
29	75639	1	Locking Bolt (Includes item 30)
30	75750	1	Hexagon Nut
31	75195	1	Belt Guard
32	75433	4	O-Ring
33	75684	2	Socket Head Cap Screw
34	75680	2	Socket Head Cap Screw
35	75521	4	Lock Washer
36	75481	1	Key

SRP 2240 PARTS



Item #	Part #	Qty	Description
1	75504	2	Security Ring
2	75624	2	Disk
3	75612	2	Lining Strap
4	75613	2	Centrifugal Weight
5	75614	1	Nave
6	75615	2	Tension Spring
7	75484	1	Security Ring
8	75395	1	Groove Ball Bearing
9	75495	1	Security Ring
10	75616	1	V-Belt Pulley

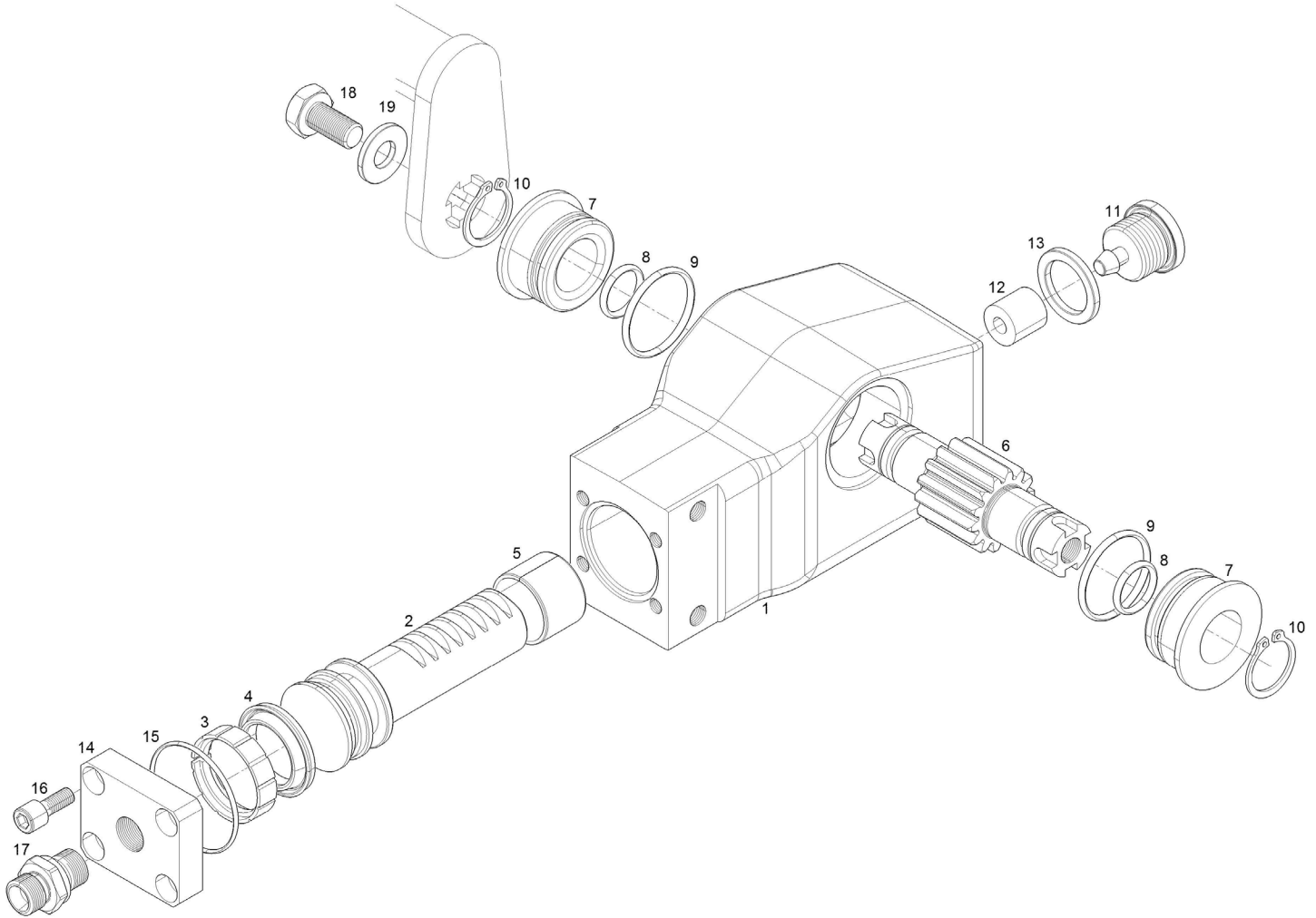
SRP 2240 PARTS



Item #	Part #	Qty	Description
1	75229	1	Drawbar
2	75206	2	Bearing Bolt
4	75727	4	Hexagon Head Cap Screw
5	75521	4	Lock Washer
6	75233	2	Drawbar Grip
7	75652	2	Plastic Plug
8	75731	2	Hexagon Head Cap Screw
9	75530	2	Conical Spring Washer
10	75223	1	Threaded Bolt
11	75530	1	Conical Spring Washer
12	75640	1	Star Grip

Item #	Part #	Qty	Description
13	75770	1	Wing Nut
14	75468	1	Buffer Stop
15	75251	2	Drawbar Bearing
16	75734	4	Hexagon Head Cap Screw
17	75530	4	Conical Spring Washer
18	75642	1	Speed Control (Includes Items 19 & 20)
19	75643	1	Lever Cpl.
20	75775	2	Countersunk Screw
21	75547	1	Rubber Bushing
22	75221	1	Hydraulic Hose

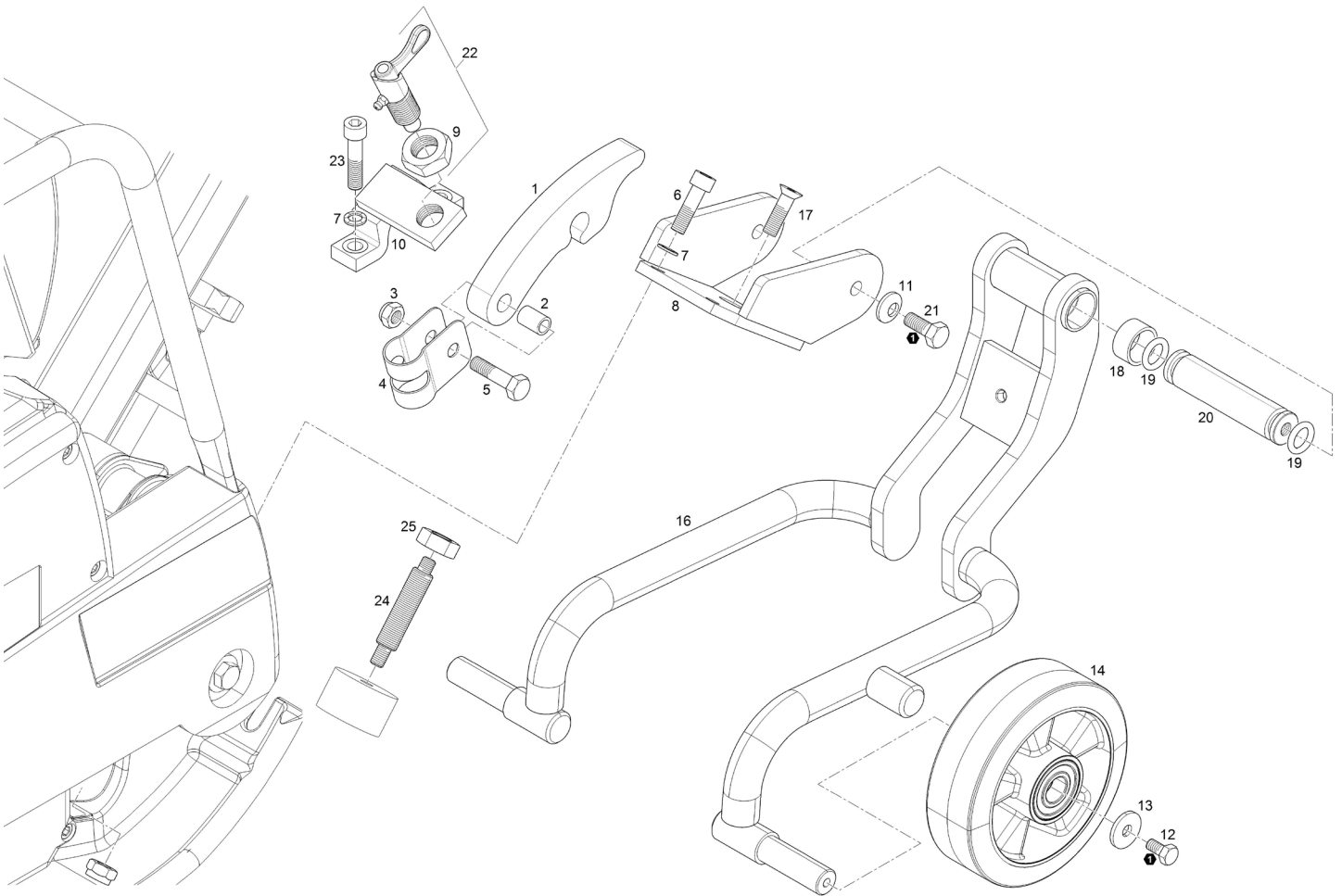
SRP 2240 PARTS



Item #	Part #	Qty	Description
1	75225	1	Drawbar Valve
2	75227	1	Piston Rod
3	75446	1	Guide Ring
4	75447	1	Piston Packing
5	75411	1	Bush
6	75230	1	Pinion Shaft
7	75228	2	Bush
8	75437	2	O-Ring
9	75425	2	O-Ring
10	75502	2	Retaining Ring
11	75231	1	Screw Plug

Item #	Part #	Qty	Description
12	75232	1	Pipe Spring
13	75456	1	Joint Washer
14	75226	1	Valve Cover
15	75434	1	O-Ring
16	75673	4	Socket Head Cap Screw
17	75557	1	Male Stud Coupling
18	75731	2	Hexagon Head Cap Screw
19	75530	2	Conical Spring Washer

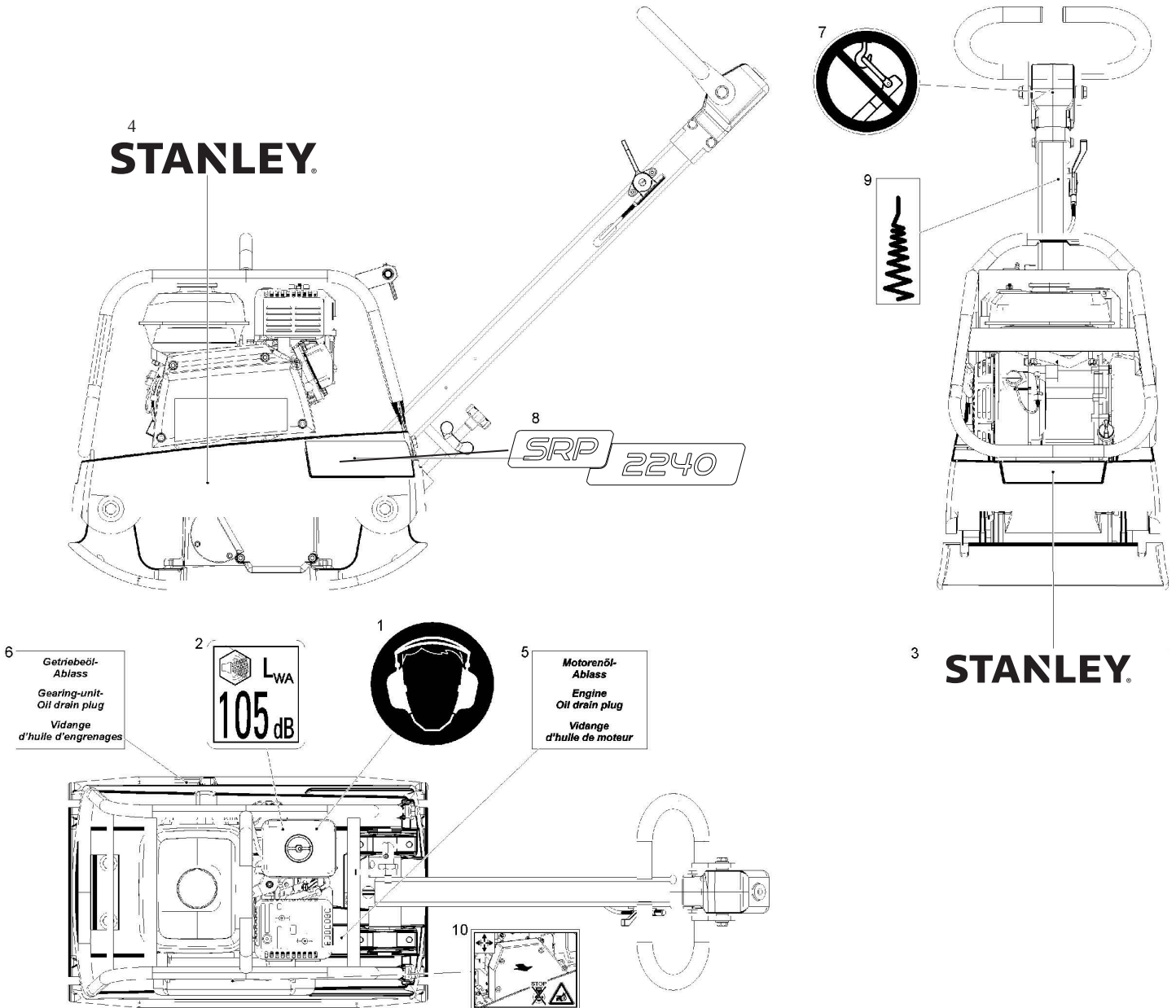
SRP 2240 PARTS



Item #	Part #	Qty	Description
1	75182	1	Clamp
2	75163	1	Bush
3	75754	4	Hexagon Nut
4	75198	1	Pipe Clip
5	75712	1	Hexagon Head Cap Screw
6	75688	2	Socket Head Cap Screw
7	75522	4	Lock Washer
8	75208	1	Holder
9	75750	1	Hexagon Nut
10	75209	1	Bearing Pedestal
11	75530	2	Conical Spring Washer
12	75725	2	6-Kt-Schraube
13	75515	2	Washer

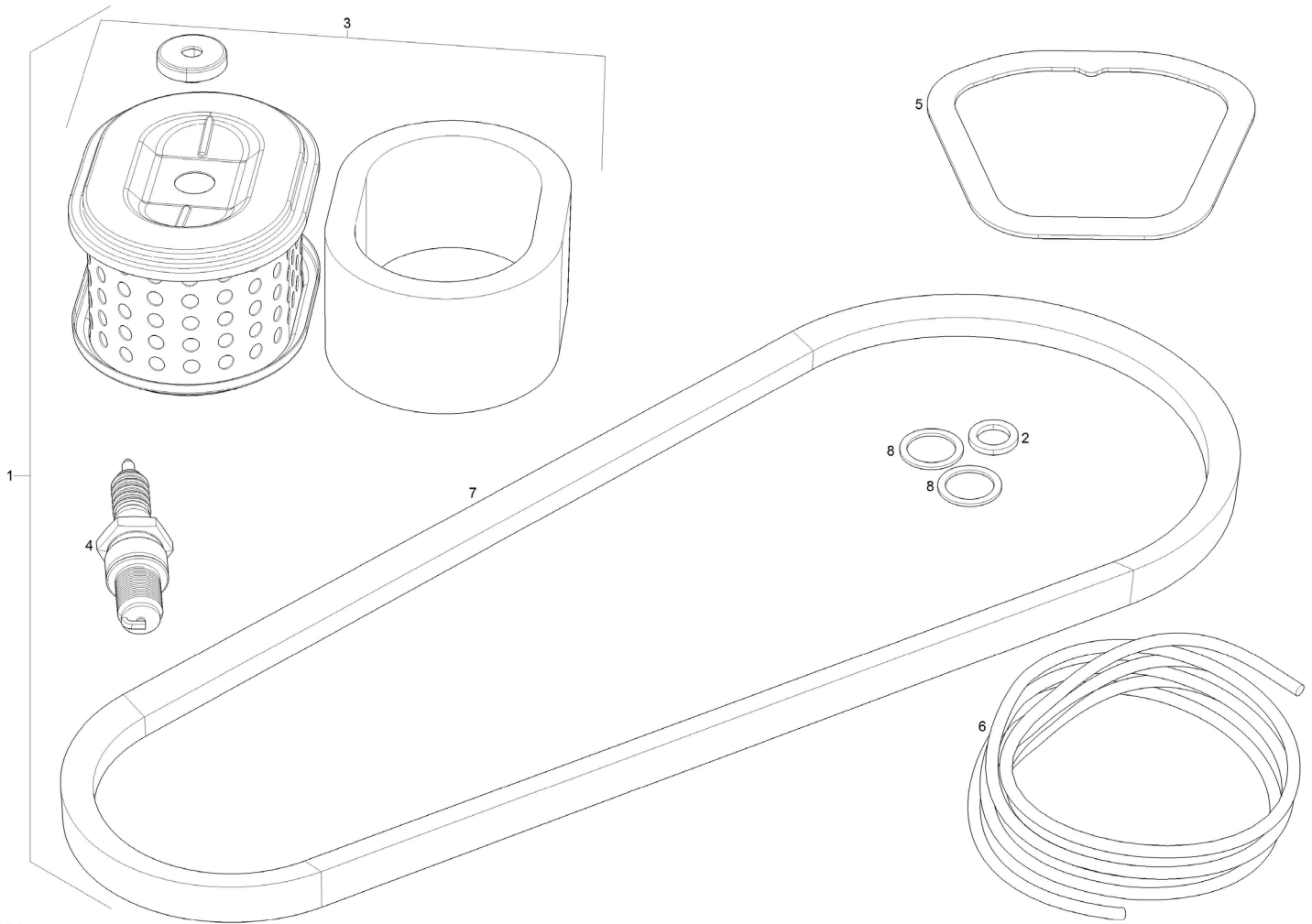
Item #	Part #	Qty	Description
14	75636	2	Wheel
16	75210	1	Carriage
17	75767	1	Countersunk screw
18	75412	2	Bush
19	75421	2	O-Ring
20	75207	1	Round Bar Steel
21	75733	2	Hexagon Head Cap Screw
22	75639	1	Locking Bolt (Incl item 9)
23	75689	2	Socket Head Cap Screw
24	75224	1	Thread Rod
25	75745	1	Hexagon nut
A02	75885	1	Carriage, Assy. (Includes Items 1-25)

SRP 2240 DECALS



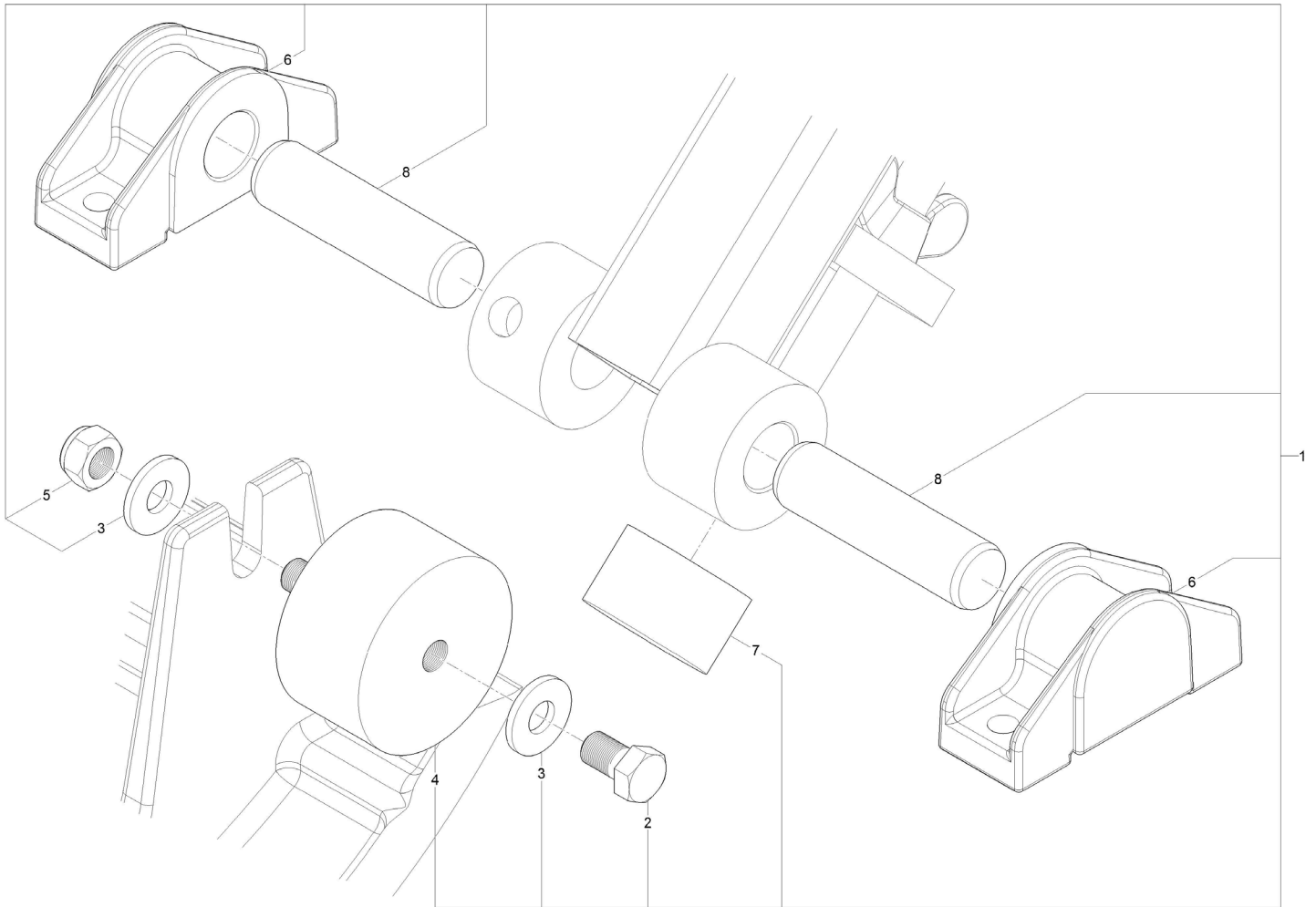
Item #	Part #	Qty	Description
1	75103	1	Decal
2	75100	1	Decal
3	74917	1	Decal Stanley Logo 5.5-in.
4	74909	2	Decal Stanley Logo 11-in.
5	75091	1	Decal
6	75092	1	Decal
7	75098	1	Decal
8	74905	2	Decal SRP 2240
9	75093	1	Decal
10	75095	1	Decal

SRP MAINTENANCE KIT



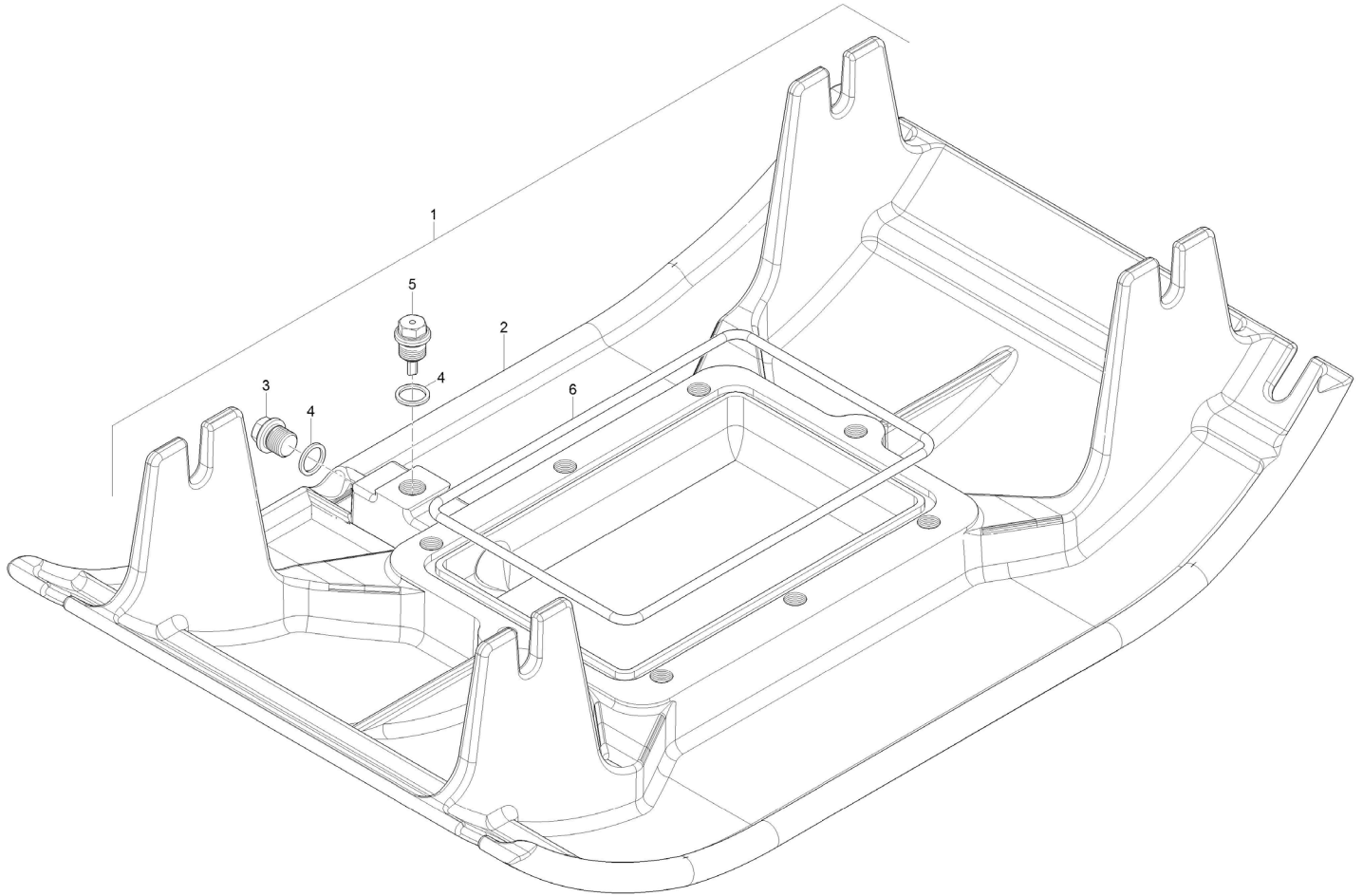
Item #	Part #	Qty	Description
1	75805	1	Maintenance Kit (Includes Items 2-8)
2	75871	1	Washer
3	75574	1	Air Filter
4	75877	1	Spark Plug
5	75860	1	Valve Cover Gasket
6	75869	1	Starter Rope
7	75462	1	V-Belt
8	75453	2	Joint Washer

SRP WEAR PARTS KIT, SPRING ELEMENT



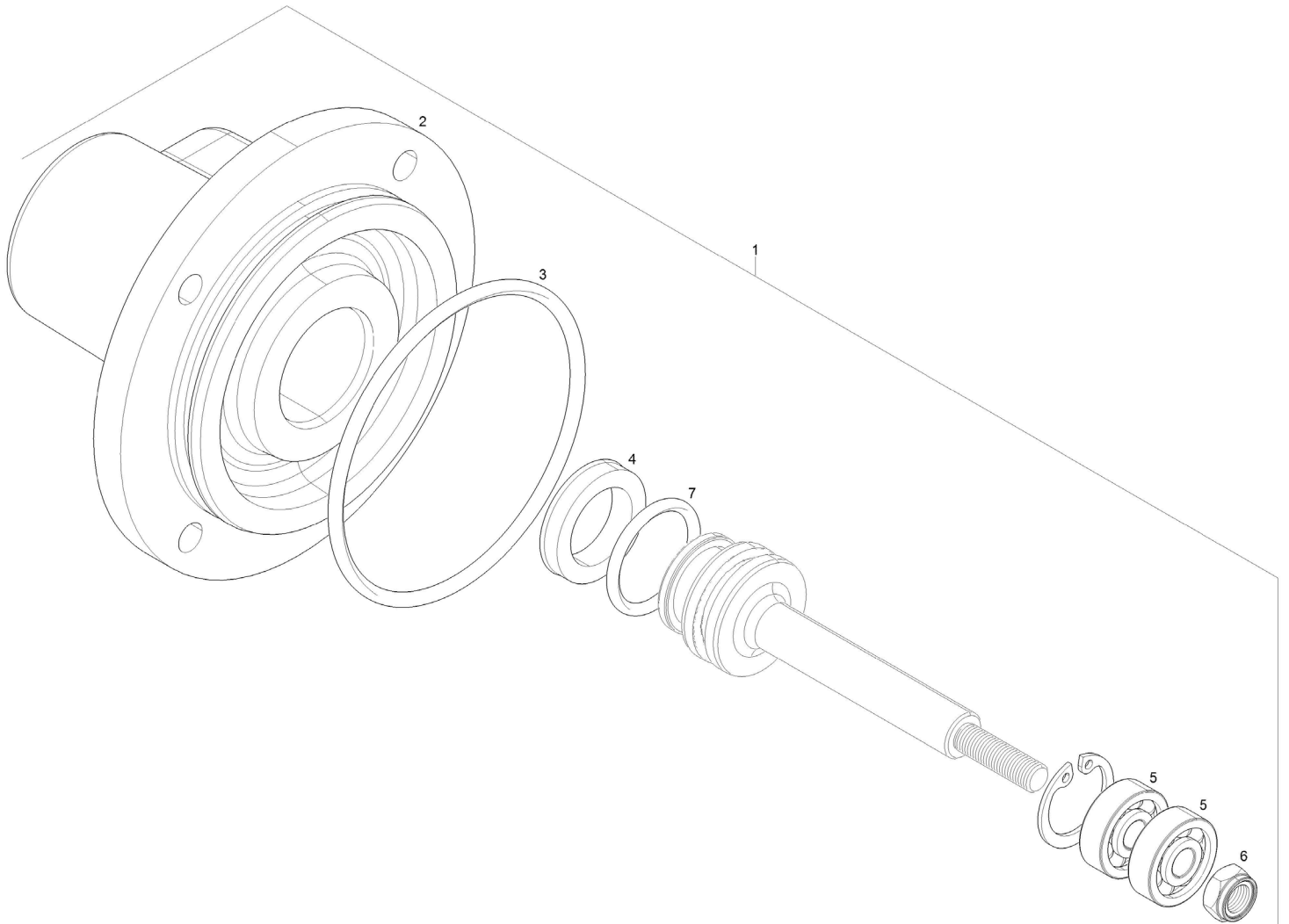
Item #	Part #	Qty	Description
1	75843	1	Wear Parts Kit Spring Element (Includes Items 2-8)
2	75735	4	Hexagon Head Cap Screw
3	75528	8	Conical Spring Washer
4	75392	4	Rubber Buffer
5	75755	4	Hexagon Nut
6	75251	2	Drawbar Bearing
7	75468	1	Buffer Stop
8	75206	2	Bearing Bolt

SRP WEAR PARTS KIT, BASE PLATE



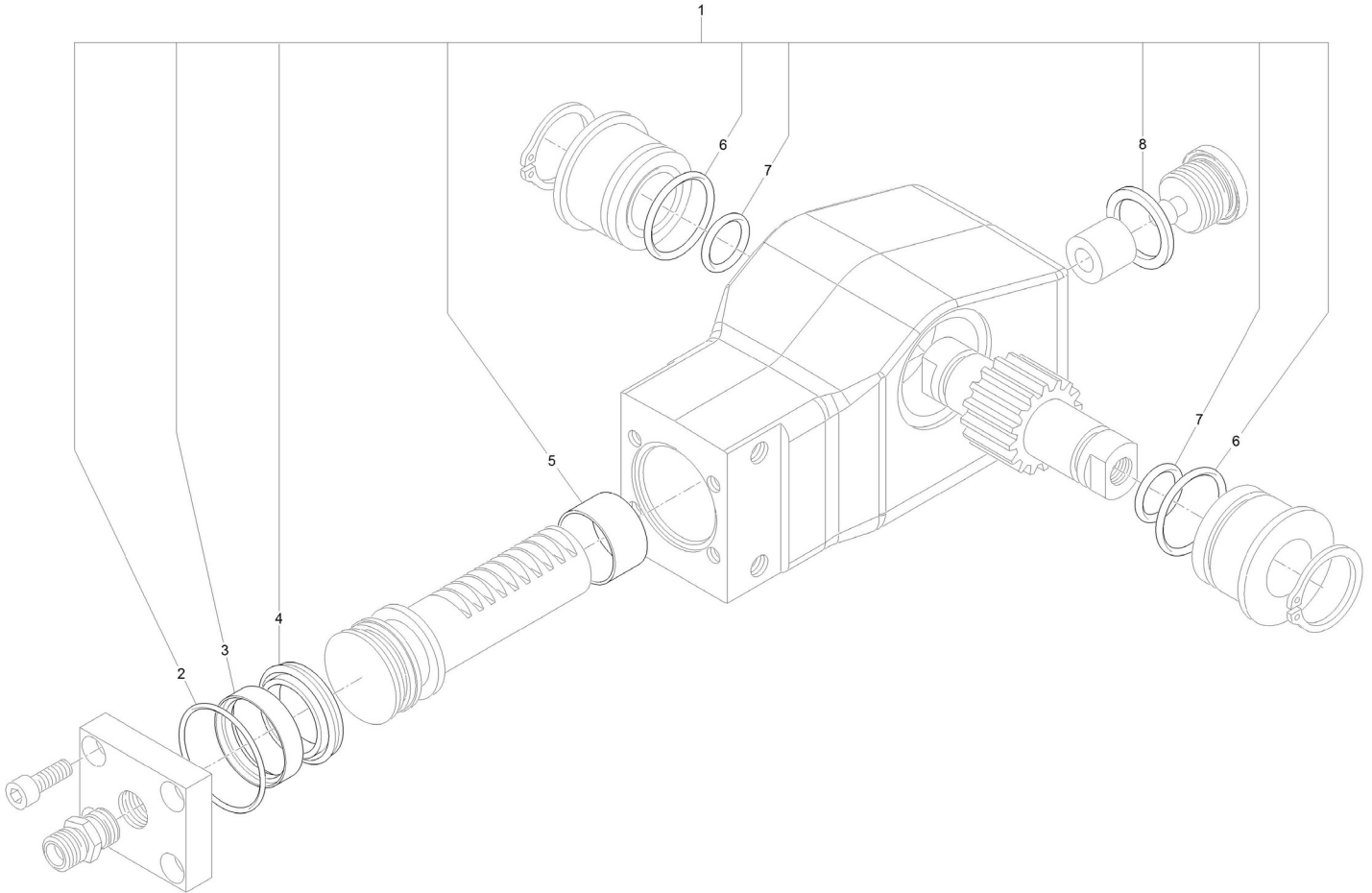
Item #	Part #	Qty	Description
1	75844	1	Wear Parts Kit Base Plate (Includes Items 2-6)
2	75187	1	Base Plate
3	75672	1	Screw Plug
4	75453	2	Joint Washer
5	75211	1	Oil Measuring Rod
6	75439	1	O-Ring

SRP WEAR PARTS KIT, PISTON



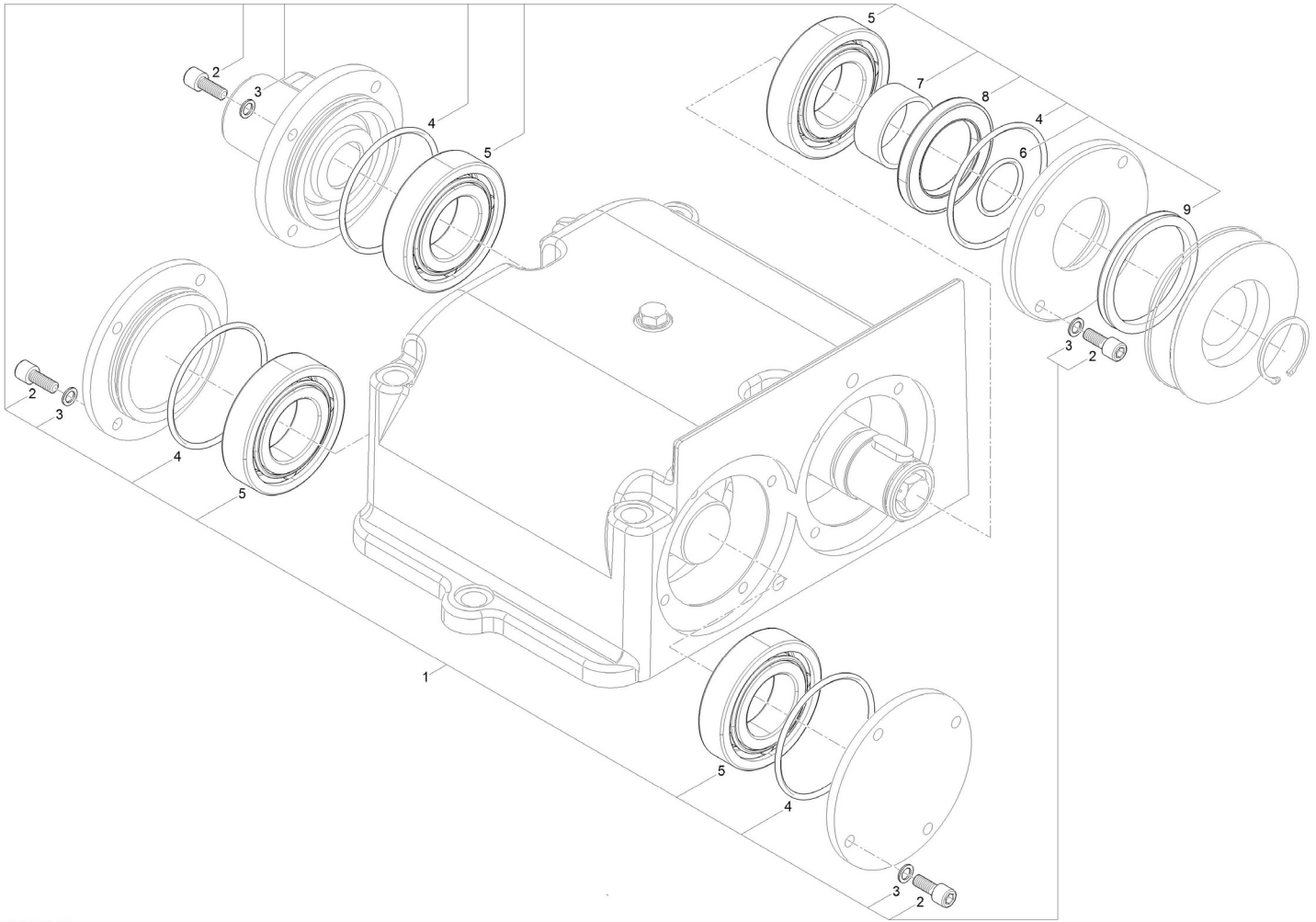
Item #	Part #	Qty	Description
1	75845	1	Wear Parts Kit Piston (Includes Items 2-7)
2	75192	1	Shift Cover
3	75442	1	O-Ring
4	75450	1	Piston Packing
5	75402	2	Groove Ball Bearing
6	75772	1	Hexagon Nut
7	75424	1	O-Ring

SRP WEAR PARTS KIT, CONTROL BLOCK



Item #	Part #	Qty	Description
1	75846	1	Wear parts kit control block (Includes Items 2-8)
2	75434	1	O-Ring
3	75446	1	Guide Ring
4	75447	1	Piston Packing
5	75411	1	Bush
6	75425	2	O-Ring
7	75437	2	O-Ring
8	75456	1	Joint Washer

SRP REPAIR KIT EXCITER



E2204029

Item #	Part #	Qty	Description
1	75798	1	Repair Kit Exciter (Includes Items 2-9)
2	75673	16	Socket Head Cap Screw
3	75520	16	Lock Washer
4	75442	4	O-Ring
5	75405	4	Cylindrical Roller Bearing
6	75425	1	O-Ring
7	75413	1	Internal Ring
8	75415	1	Shaft Sealing Ring
9	75443	1	V-Ring

STANLEY®

Stanley Hydraulic Tools
3810 SE Naef Road
Milwaukie, Oregon 97267-5698 USA
(503) 659-5660 / Fax (503) 652-1780
www.stanleyhydraulics.com