

STANLEY®

SRP 3860 COMPACTION REVERSIBLE PLATE

SRP 3860



PARTS MANUAL



© 2015 Stanley Black & Decker, Inc.
New Britain, CT 06053
U.S.A.
74946 5/2017 Ver 5

TABLE OF CONTENTS

MACHINE INFORMATION	3
ADHESIVES	4
PARTS SRP 3860.....	5 THRU 11
DECALS	12
MAINTENANCE KIT.....	13
WEAR PARTS KIT, RUBBER BUFFER	14
WEAR PARTS KIT, BASE PLATE	15
WEAR PARTS KIT, PISTON.....	16
WEAR PARTS KIT, CONTROL BLOCK	17
REPAIR KIT, EXCITER.....	18

IMPORTANT

To fill out a Product Warranty Validation form, and for information on your warranty, visit Stanleyhydraulics.com and select the Company tab, Warranty.
(NOTE: The warranty Validation record must be submitted to validate the warranty).

SERVICING: This manual contains spare parts. Stanley Hydraulic Tools recommends that servicing this machine, other than routine maintenance, must be performed by an authorized and certified dealer. Please read the following warning.

⚠ WARNING

SERIOUS INJURY OR DEATH COULD RESULT FROM THE IMPROPER REPAIR OR SERVICE OF THIS TOOL.

REPAIRS AND / OR SERVICE TO THIS TOOL MUST ONLY BE DONE BY AN AUTHORIZED AND CERTIFIED DEALER.

For the nearest authorized and certified dealer, call Stanley Hydraulic Tools at the number listed on the back of this manual and ask for a Customer Service Representative.

MACHINE INFORMATION



These instructions include:

- Safety regulations
- Operating instructions
- Maintenance instructions

These instructions are intended to simplify operation of the machine and to avoid malfunctions through improper operation. Observing the maintenance instructions will increase the reliability and service life of the machine when used on the construction site and reduce repair costs and downtimes.

Always keep these instructions at the place of use of the machine.

Only operate the machine as instructed and follow these instructions.

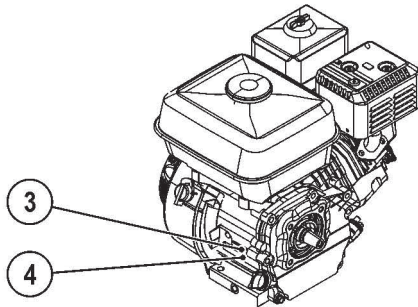
Do not fail to comply with the safety provisions, as well as the rules for safety and health protection at work as well as the applicable accident prevention regulations. Also observe the corresponding rules and regulations valid in your state and or country.

Stanley is not liable for the function of the machine when used in an improper manner and for other than the intended purpose.

Operating errors, improper maintenance and the use of incorrect operating materials are not covered by the warranty.

The above information does not extend the warranty and liability conditions of business of Stanley.

HONDA



We reserve the right to make changes due to technical development without announcement.

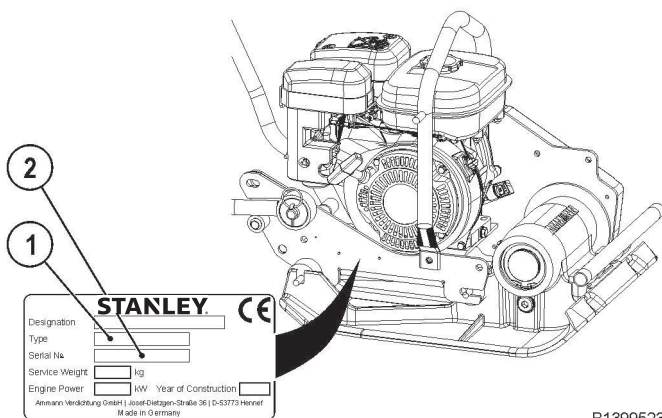
PLEASE ENTER (DATA ON MACHINE TYPE PLATE)

1. MACH.-TYPE: _____

2. MACH.-NO.: _____

3. ENGINE-TYPE: _____

4. ENGINE-NO.: _____



B1399523

Stanley Hydraulic Tools
3810 SE Naef Rd
Milwaukie, OR 97267
Ph: 503-659-5660
Fax: 503-652-1780

ADHESIVES

Sealing- and bonding adhesives

A1	1	2-9L0 00 002	Loctite 262	250 ml
A2	2	2-806 05 260	Loctite 5205	300 ml
A3	3	2-806 02 010	Shell Alvania R3	1.0 kg
A4	4	2-9IH 00 001	Epple 22	250 ml
A5	5	2-9K0 00 020	Klüber 46 MR401	0.75 kg
A6	6	2-806 05 060	Atmosit Compact	75 ml
A7	7	2-806 05 200	Sico Met 50	20 g
A8	8	2-806 05 170	Omni Visc 1002	
A9	9	2-806 02 050	Shell Alvania EP1	600 g
A10	10	2-806 05 310	Beta Link K1	
A11	11	2-806 03 017	Metaflux	
A12	12	2-806 05 290	Loctite 5910	300 ml
A13	13	2-9L0 00 001	Loctite Cleaner 7063	450 ml
A14	14	2-9L0 00 006	Loctite 221	50 ml
A15	15	2-806 05 090	Omni Visc 1050	50 ml
	16	2-9L000005	Loctite 638	250 ml

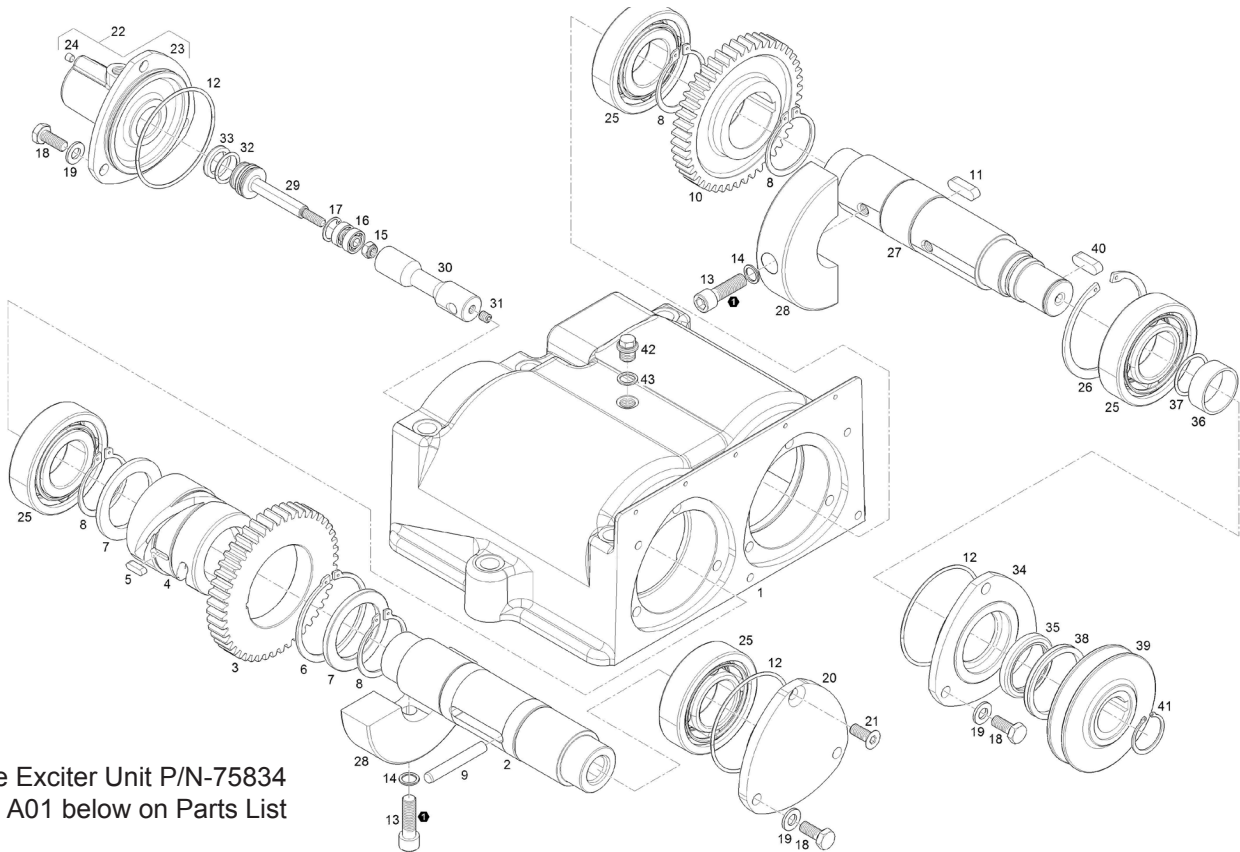
as specified in the individual exploded views

TAB01010.cdr

Conversion: Newton-Meters to in. lb. and ft. lb.

Nm	In. lb.	Ft. lb.
5	44.2	3.6
10	88.5	7.3
15	132	11.0
20	177	14.7
25	221.2	18.4
30	265.5	22.1
35	309.7	25.8
40	354	29.5
45	398.2	33.1
50	442	36.8
55	486.7	40.5
60	531	44.2

SRP 3860 PARTS

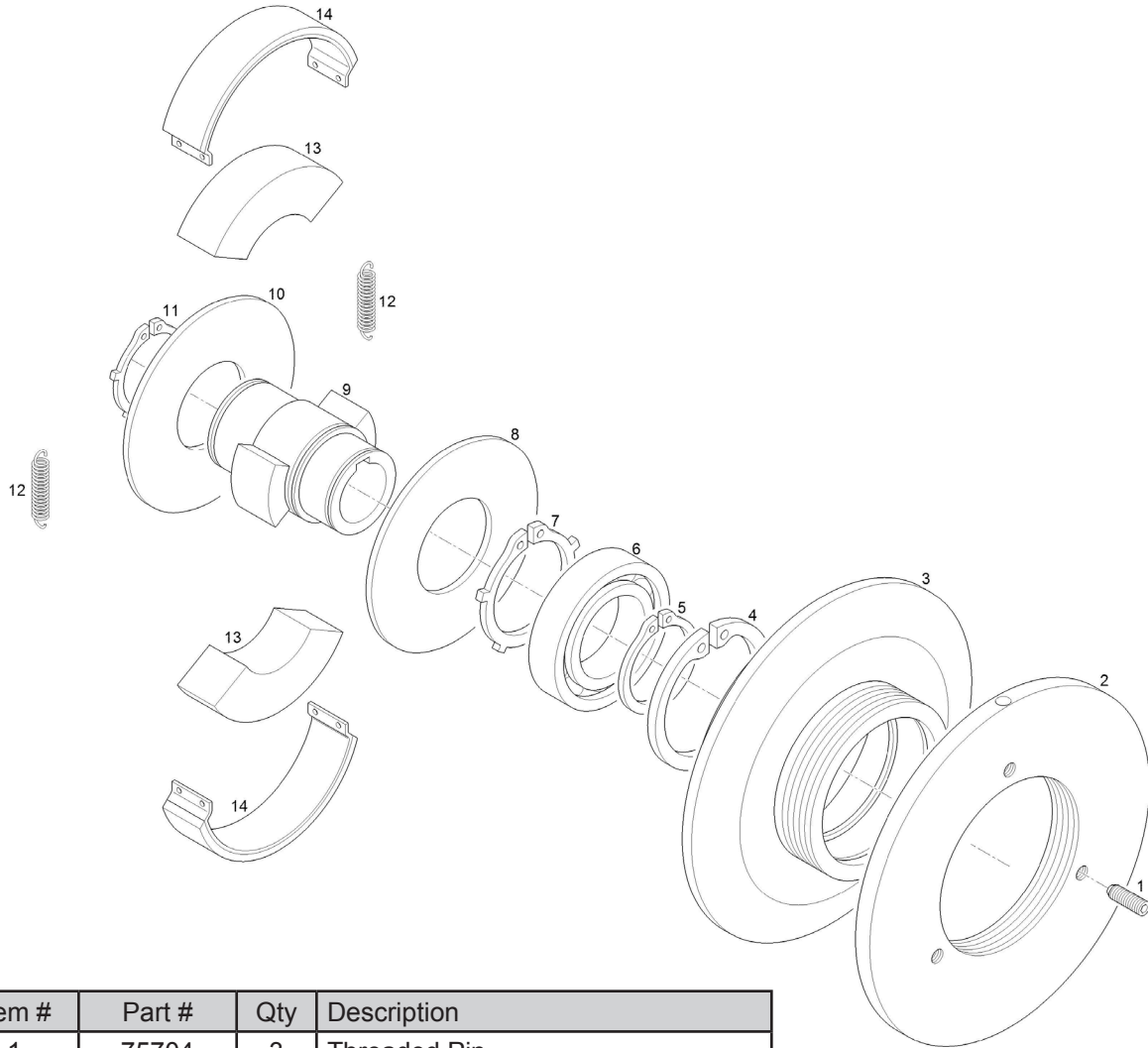


Complete Exciter Unit P/N-75834
See Item A01 below on Parts List

Item #	Part #	Qty	Description
1	75237	1	Exciter Housing
2	75273	1	Exciter Shaft
3	75311	1	Gear
4	75272	1	Adjusting Wheel
5	75477	1	Key, Hardened
6	75506	1	Retaining Ring
7	75408	2	Axial Bearing Washer
8	75500	4	Retaining Ring
9	75538	1	Cylindrical Pin
10	75239	1	Gear
11	75478	1	Key
12	75430	3	O-Ring
13	75699	4	Socket Head Cap Screw
14	75523	4	Lock Washer
15	75753	1	Hexagon Nut
16	75398	2	Groove Ball Bearing
17	75491	1	Retaining Ring
18	75733	8	Hexagon Head Cap Screw
19	75522	8	Lock Washer
20	75309	1	Bearing Cover
21	75766	1	Countersunk Screw
22	75243	1	Shift Cover, Assy.

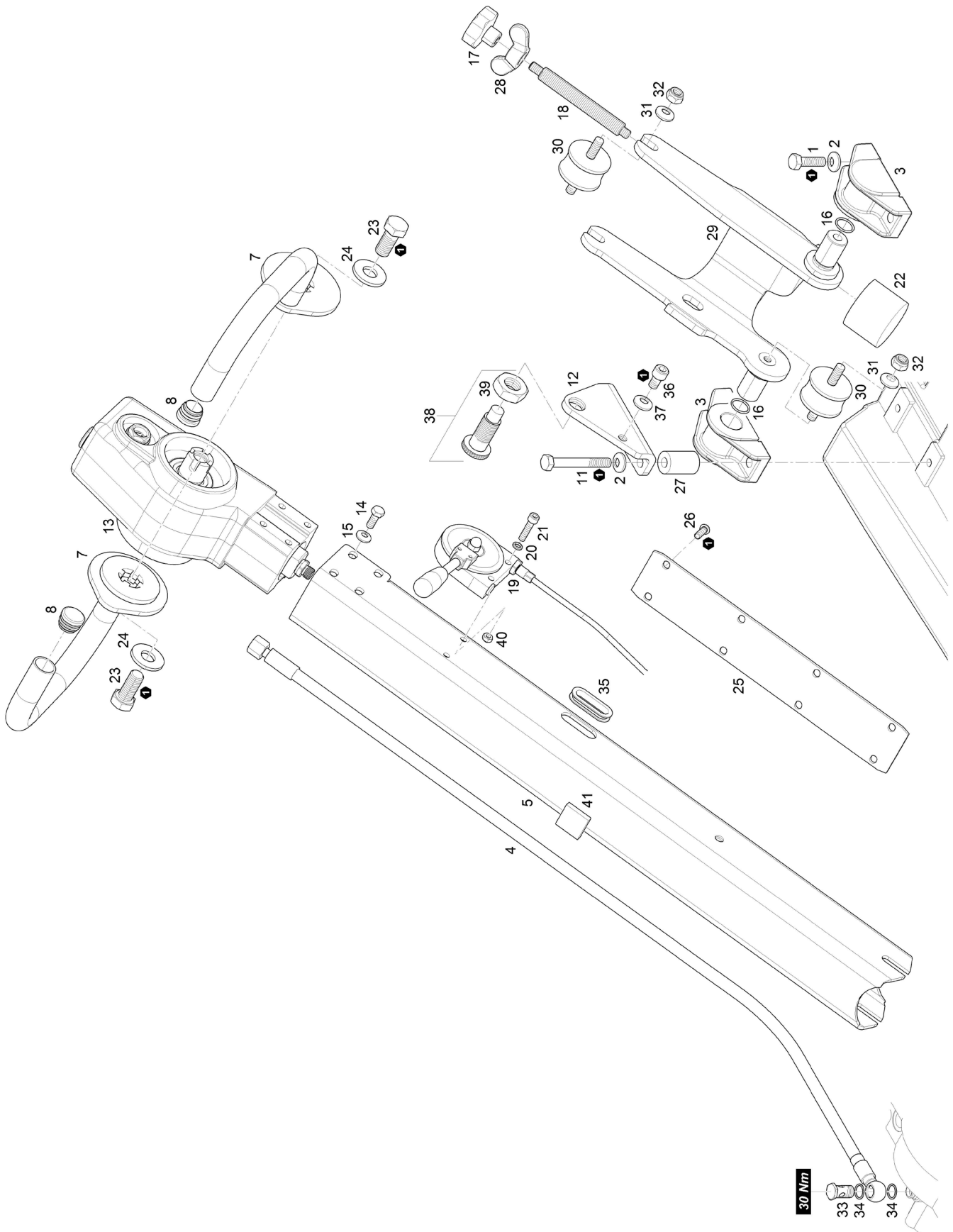
Item #	Part #	Qty	Description
23	75244	1	Shift Cover
24	75561	1	Sealing Plug
25	75407	4	Cylindrical Roller Bearing
26	75487	1	Retaining Ring
27	75245	1	Exciter Shaft
28	75242	4	Exciter Weight
29	75241	1	Piston
30	75240	1	Guide Piston
31	75783	1	Threaded Pin
32	75431	1	O-Ring
33	75448	1	Piston Packing
34	75238	1	Bearing Cover
35	75418	1	Shaft Sealing Ring
36	75414	1	Internal Ring
37	75432	1	O-Ring
38	75444	1	V-Ring
39	75246	1	V-Belt Pulley
40	75480	1	Key
41	75497	1	Retaining Ring
42	75672	1	Screw Plug
43	75453	1	Joint Washer
A01	75834	1	Replacement Part Exciter Assy (Includes Items 2-43)

SRP 3860 PARTS



Item #	Part #	Qty	Description
1	75704	3	Threaded Pin
2	75605	1	V-Belt Pulley
3	75607	1	Housing
4	75485	1	Retaining Ring
5	75497	1	Retaining Ring
6	75396	1	Deep Groove Ball Bearing
7	75501	1	Retaining Ring
8	75623	1	Covering Disk
9	75608	1	Hub
10	75624	1	Covering Disk
11	75504	1	Retaining Ring
12	75606	4	Tension Spring
13	75604	2	Centrifugal Weight
14	75609	2	Lining Strap

SRP 3860 PARTS

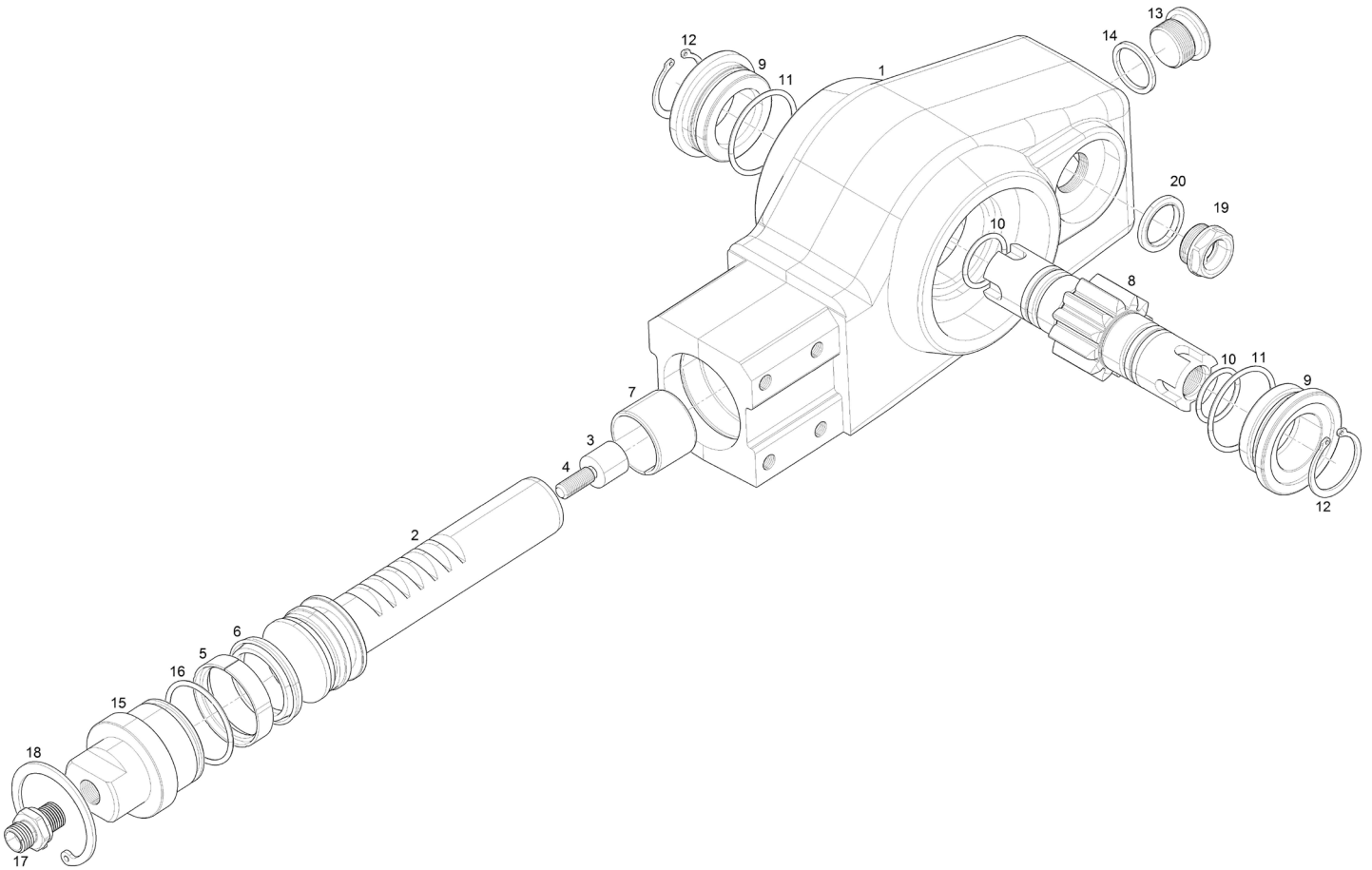


SRP 3860 PARTS

Item #	Part #	Qty	Description
1	75734	2	Hexagon Head Cap Screw
2	75530	4	Conical Spring Washer
3	75251	2	Drawbar Bearing
4	75249	1	Control Line, Cpl.
5	75270	1	Drawbar Profile
7	75262	2	Drawbar Grip
8	75652	2	Plug
11	75715	2	Hexagon Head Cap Screw
12	75265	1	Drawbar Support
13	75234	1	Control Valve, Assy.
14	75726	8	Hexagon Head Cap Screw
15	75531	8	Conical Spring Washer
16	75422	2	O-Ring
17	75640	1	Star Grip
18	75223	1	Threaded Bolt
19	75645	1	Speed Control, Cpl.
20	75520	2	Lock Washer
21	75678	2	Socket Head Cap Screw
22	75473	1	Rubber Buffer
23	75740	2	Hexagon Head Cap Screw

Item #	Part #	Qty	Description
24	75529	2	Conical Spring Washer
25	75261	1	Panel Sheet
26	75779	8	Socket Button Screw
27	75266	2	Pipe
28	75770	1	Wing Nut
29	75260	1	Drawbar Console
30	75391	4	Rubber Buffer
31	75530	4	Conical Spring Washer
32	75754	4	Hexagon Nut
33	75562	1	Hollow Screw
34	75453	2	Joint Washer
35	75547	1	Rubber Bushing
36	75686	1	Socket Head Cap Screw
37	75522	1	Lock Washer
38	75641	1	Locking Bolt
39	75750	1	Hexagon Nut
40	75752	2	Hexagon Nut
41	75307	1	Rubber Plate

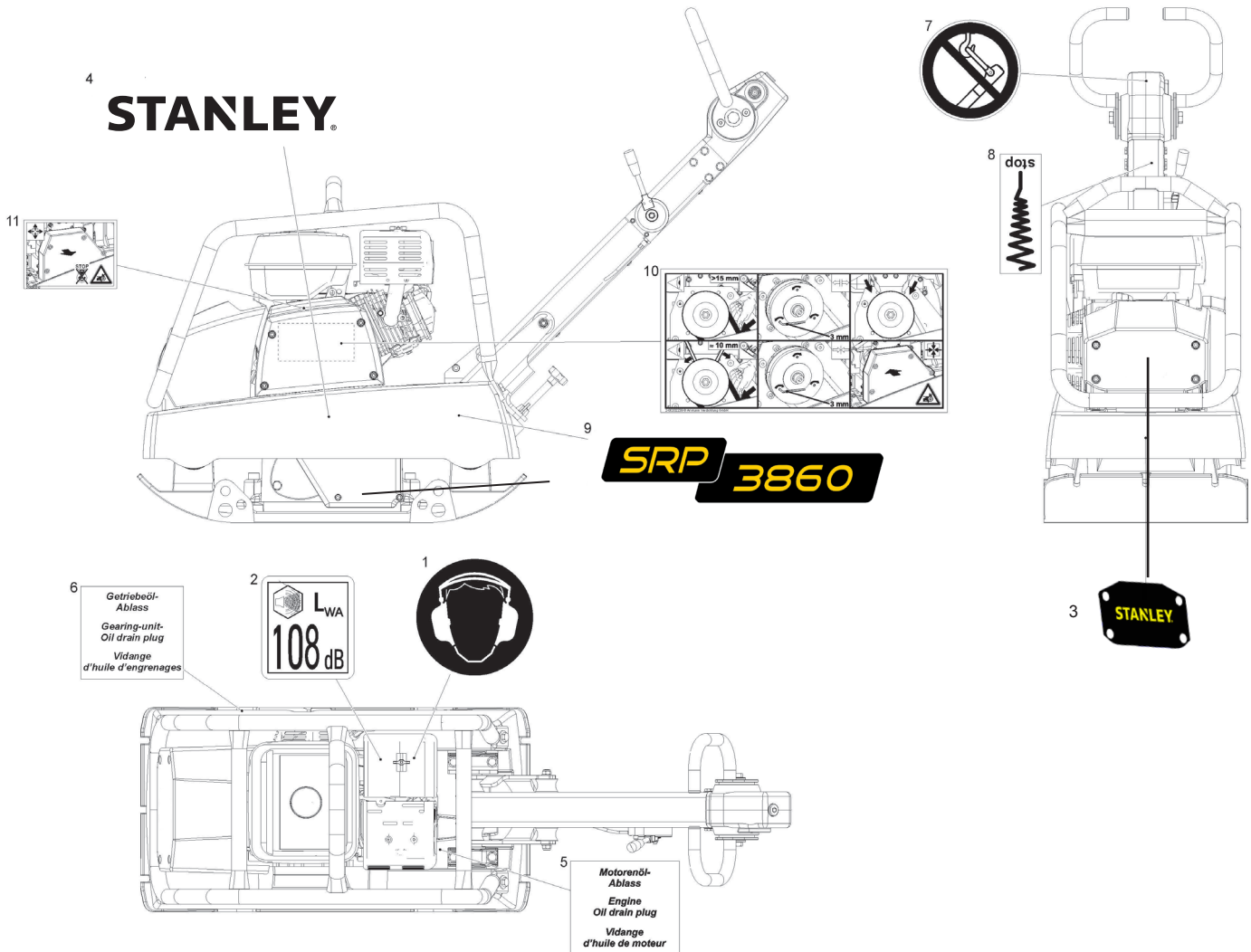
SRP 3860 PARTS



Item #	Part #	Qty	Description
1	75256	1	Drawbar valve
2	75258	1	Piston rod
3	75232	1	Pipe spring
4	75705	1	Threaded pin
5	75445	1	Guide ring
6	75449	1	Piston packing
7	75410	1	Bush
8	75263	1	Pinion shaft
9	75259	2	Bush
10	75428	2	O-Ring

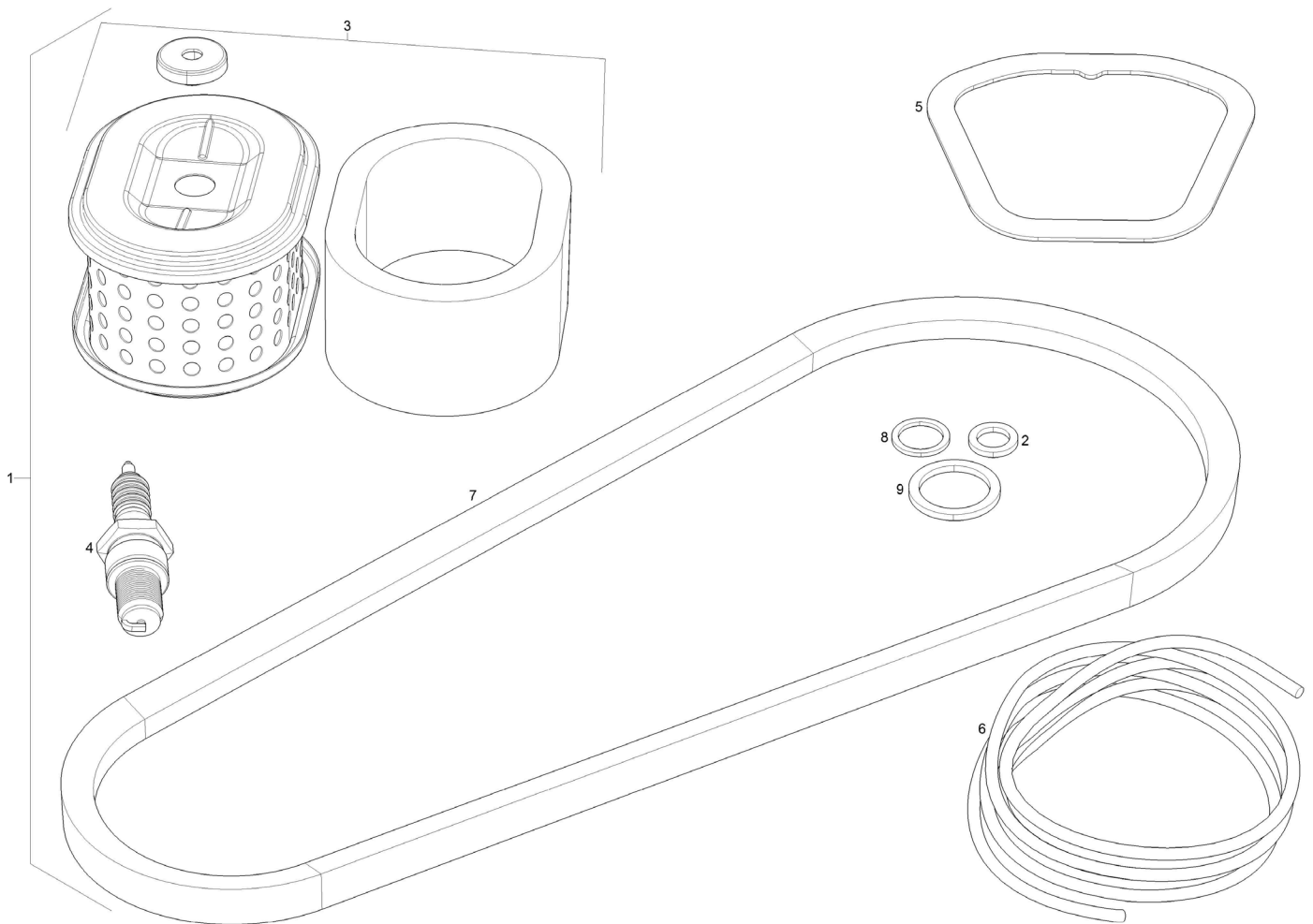
Item #	Part #	Qty	Description
11	75423	2	O-Ring
12	75495	2	Retaining ring
13	75671	1	Screw plug
14	75454	1	Joint washer
15	75257	1	Valve cover
16	75423	1	O-Ring
17	75557	1	Male stud standpipe
18	75483	1	Retaining ring
19	75569	1	Oil level indicator
20	75459	1	Joint washer

SRP 3860 DECALS



Item #	Part #	Qty	Description
1	75103	1	Decal (Hearing Protection)
2	75099	1	Decal (Sound Level)
3	76508	1	Decal (Front Panel w/Stanley Logo)
4	74909	2	Stanley Logo 11 in. L
5	75091	1	Decal (Engine Oil Drain Plug)
6	75092	1	Decal (Gearing-Unit Oil Drain Plug)
7	75098	1	Decal (Do Not Lift)
8	75093	1	Decal (Throttle)
9	74906	2	Model Decal SRP3860
10	75094	1	Decal (Belt Tension)
11	75095	1	Decal (Belt Cover)

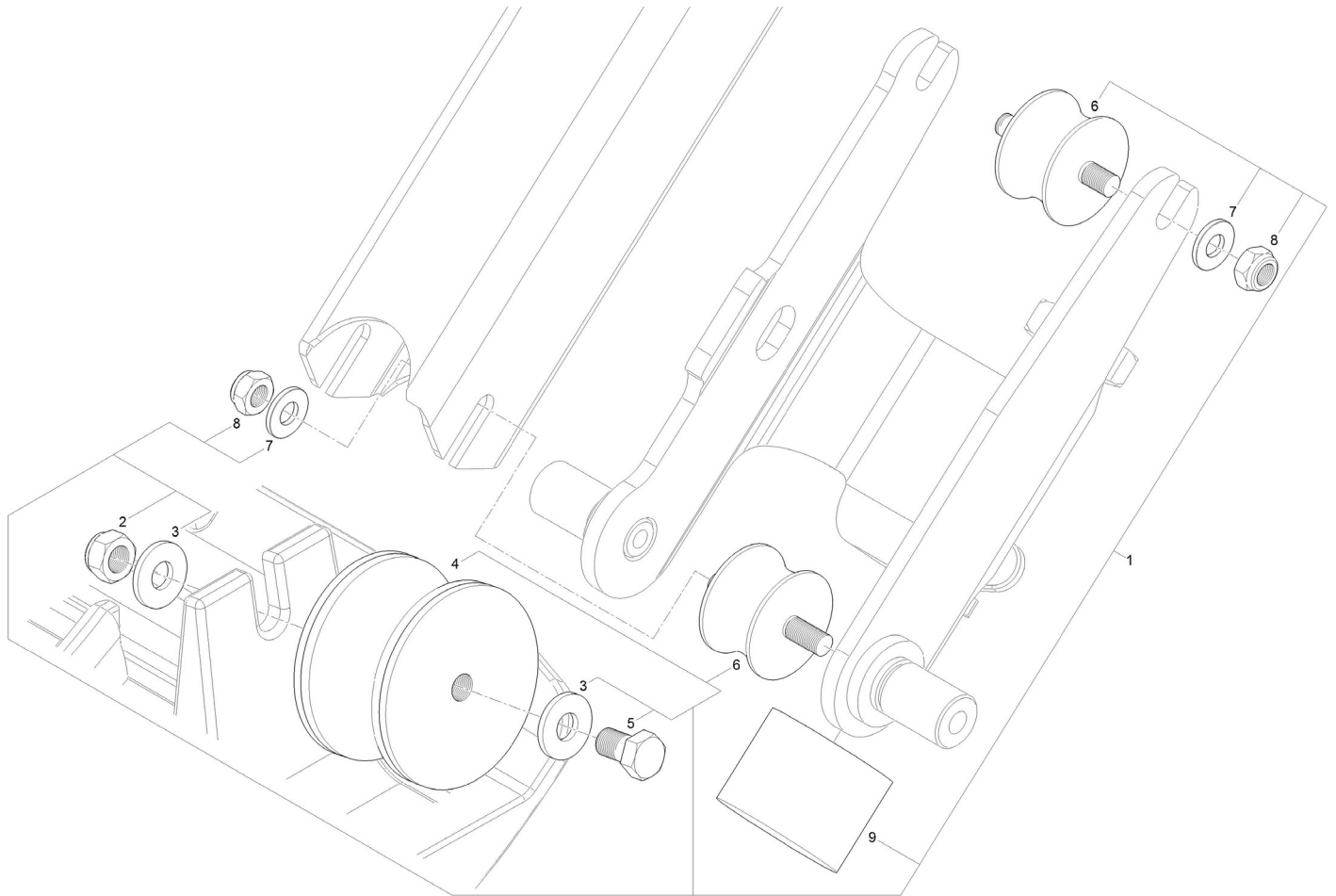
SRP MAINTENANCE KIT



E3404010

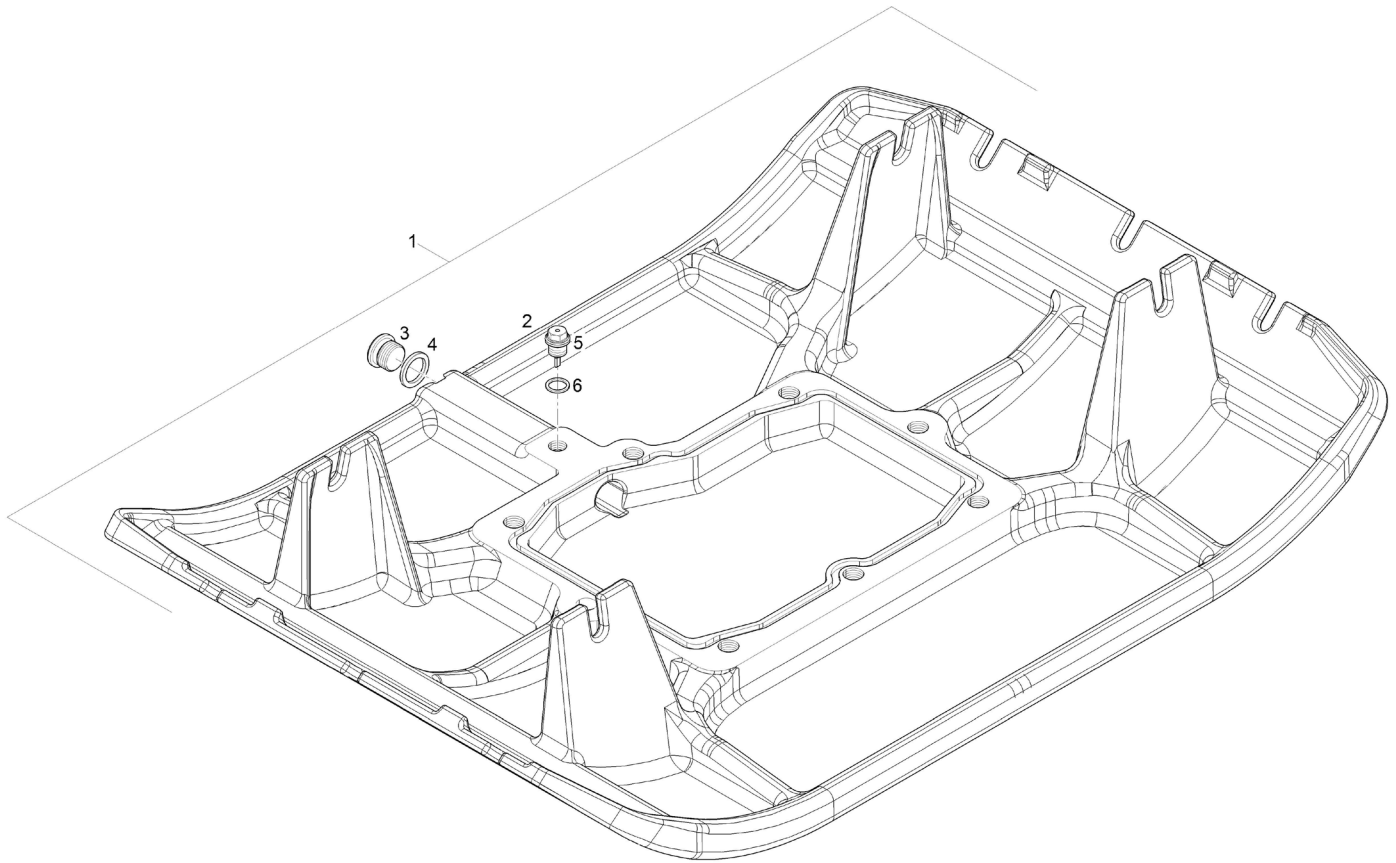
Item #	Part #	Qty	Description
1	75829	1	Maintenance Kit
2	75874	1	Washer
3	75573	1	Air Filter
4	75876	1	Spark Plug
5	75861	1	Valve Cover Gasket
6	75868	1	Starter Rope
7	75464	1	V-Belt
8	75453	1	Joint Washer
9	75456	1	Joint Washer

SRP WEAR PARTS KIT, RUBBER BUFFER



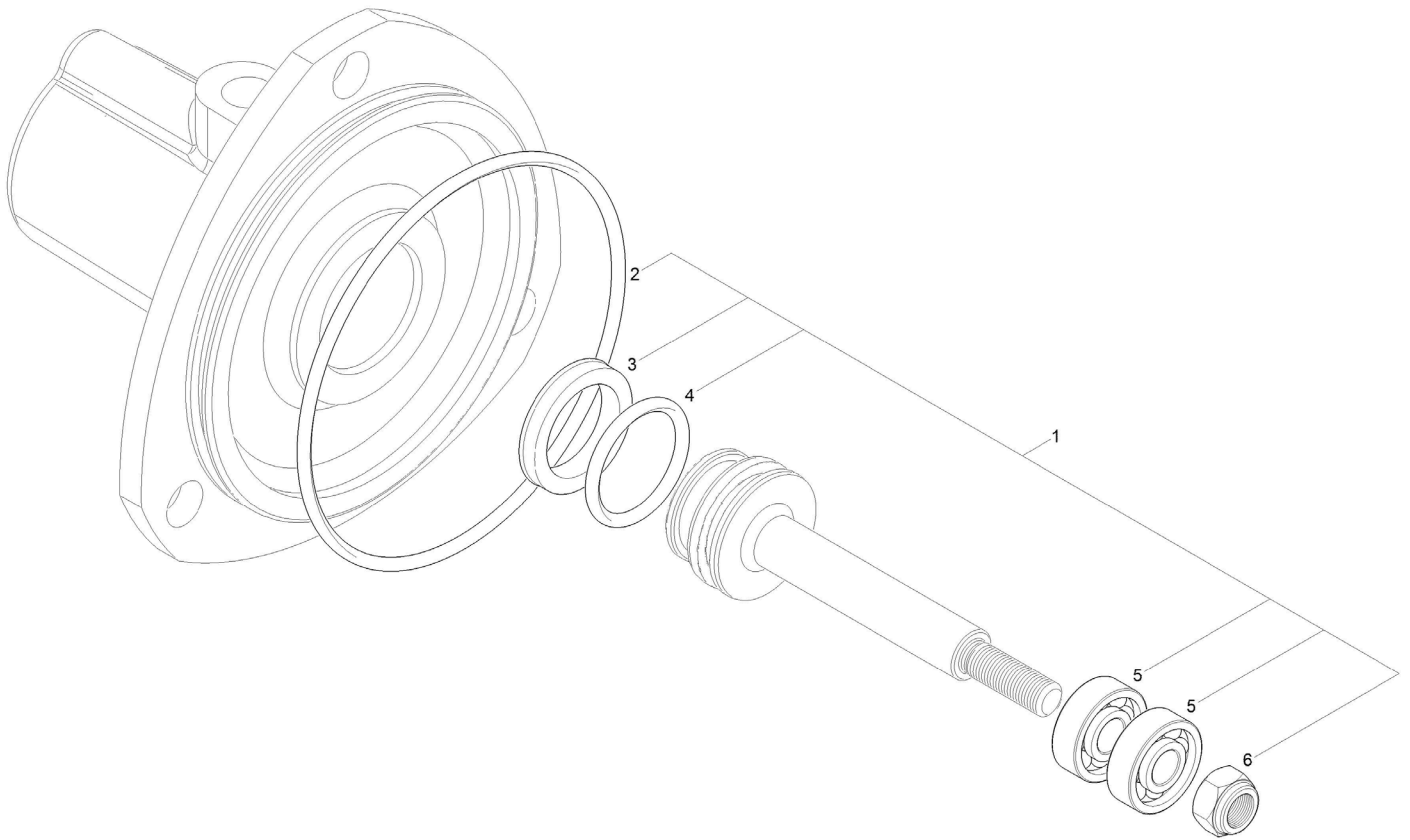
Item #	Part #	Qty	Description
1	75847	1	Wear Parts Kit Rubber Buffer
2	75755	4	Hexagon Nut
3	75528	8	Conical Spring Washer
4	75466	4	Rubber Buffer
5	75735	4	Hexagon Head Cap Screw
6	75391	4	Rubber Buffer
7	75530	4	Conical Spring Washer
8	75754	4	Hexagon Nut
9	75473	1	Rubber Buffer

SRP WEAR PARTS KIT, BASE PLATE



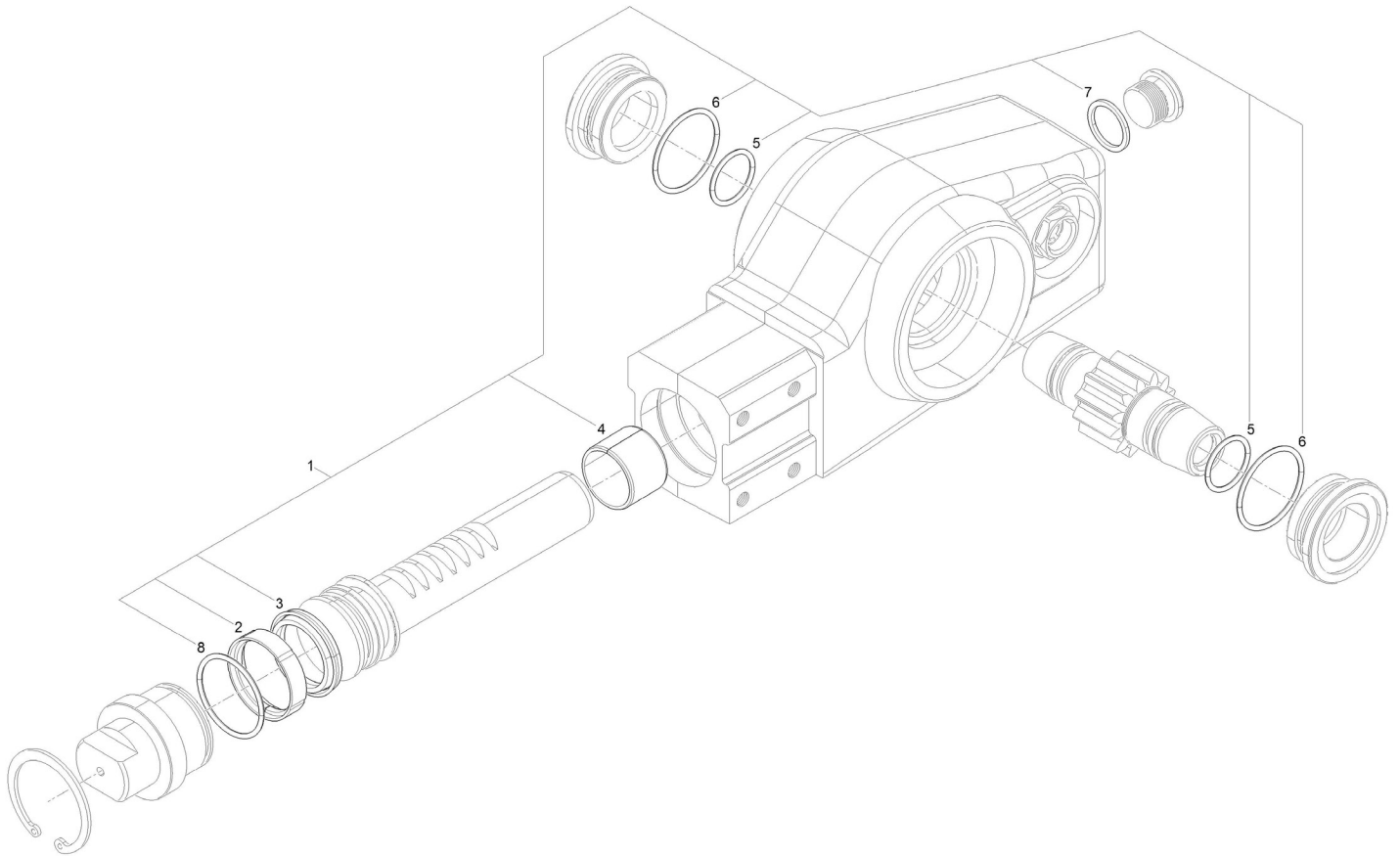
Item #	Part #	Qty	Description
1	75850	1	Wear Parts Kit Base Plate
2	75236	1	Base Plate
3	75671	1	Screw Plug
4	75456	1	Joint Washer
5	75211	1	Oil Measuring Rod
6	75453	1	Joint Washer

SRP WEAR PARTS KIT, PISTON



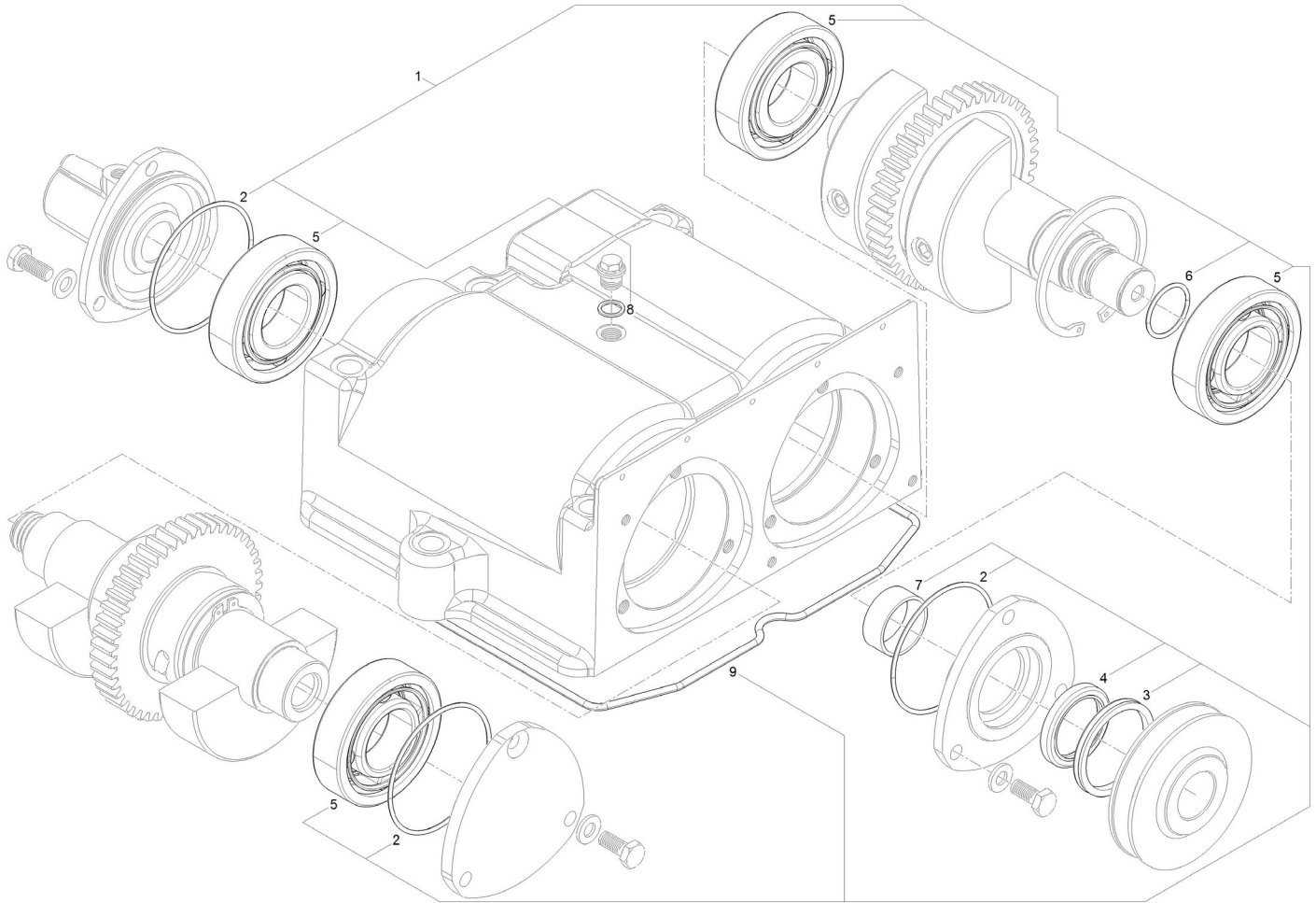
Item #	Part #	Qty	Description
1	75849	1	Wear Parts Kit Piston
2	75430	1	O-Ring
3	75448	1	Piston Packing
4	75431	1	O-Ring
5	75398	2	Groove Ball Bearing
6	75771	1	Hexagon Nut

SRP WEAR PARTS KIT, CONTROL BLOCK



Item #	Part #	Qty	Description
1	75848	1	Wear Parts Kit Control Block
2	75445	1	Guide Ring
3	75449	1	Piston Packing
4	75410	1	Bush
5	75428	2	O-Ring
6	75423	2	O-Ring
7	75454	1	Joint Washer
8	75423	1	O-Ring

SRP REPAIR KIT EXCITER



Item #	Part #	Qty	Description
1	75799	1	Repair Kit Exciter
2	75430	3	O-Ring
3	75444	1	V-Ring
4	75418	1	Shaft Sealing Ring
5	75407	4	Cylindrical Roller Bearing
6	75432	1	O-Ring
7	75414	1	Internal Ring
8	75453	1	Joint Washer
9	75441	1	O-Ring

STANLEY®

Stanley Hydraulic Tools
3810 SE Naef Road
Milwaukie, Oregon 97267-5698 USA
(503) 659-5660 / Fax (503) 652-1780
www.stanleyhydraulics.com