

STANLEY®

SRP 4960 COMPACTION REVERSIBLE PLATE



SRP 4960

PARTS MANUAL



© 2015 Stanley Black & Decker, Inc.
New Britain, CT 06053
U.S.A.
74947 5/2017 Ver 3

TABLE OF CONTENTS

| | |
|-------------------------------------|---------|
| MACHINE INFORMATION | 3 |
| ADHESIVES | 4 |
| SRP 4960 PARTS..... | 5 - 19 |
| DECAL INFORMATION..... | 20 |
| MAINTENANCE KIT..... | 21 |
| WEAR PARTS KIT, BASE PLATE | 22 |
| WEAR PARTS KIT, PISTON..... | 23 |
| WEAR PARTS KIT, CONTROL BLOCK | 24 - 25 |
| WEAR PARTS KIT, EXCITER | 26 - 27 |
| WEAR PARTS KIT, RUBBER BUFFER | 27 |

IMPORTANT

To fill out a Product Warranty Validation form, and for information on your warranty, visit Stanleyhydraulics.com and select the Company tab, Warranty.
(NOTE: The warranty Validation record must be submitted to validate the warranty).

SERVICING: This manual contains spare parts. Stanley Hydraulic Tools recommends that servicing this machine, other than routine maintenance, must be performed by an authorized and certified dealer. Please read the following warning.

⚠ WARNING

SERIOUS INJURY OR DEATH COULD RESULT FROM THE IMPROPER REPAIR OR SERVICE OF THIS TOOL.

REPAIRS AND / OR SERVICE TO THIS TOOL MUST ONLY BE DONE BY AN AUTHORIZED AND CERTIFIED DEALER.

For the nearest authorized and certified dealer, call Stanley Hydraulic Tools at the number listed on the back of this manual and ask for a Customer Service Representative.

MACHINE INFORMATION



These instructions include:

- Safety regulations
- Operating instructions
- Maintenance instructions

These instructions are intended to simplify operation of the machine and to avoid malfunctions through improper operation. Observing the maintenance instructions will increase the reliability and service life of the machine when used on the construction site and reduce repair costs and downtimes.

Always keep these instructions at the place of use of the machine.

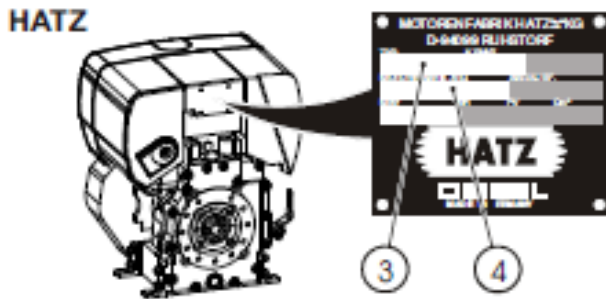
Only operate the machine as instructed and follow these instructions.

Do not fail to comply with the safety provisions, as well as the rules for safety and health protection at work as well as the applicable accident prevention regulations. Also observe the corresponding rules and regulations valid in your state and or country.

Stanley is not liable for the function of the machine when used in an improper manner and for other than the intended purpose.

Operating errors, improper maintenance and the use of incorrect operating materials are not covered by the warranty.

The above information does not extend the warranty and liability conditions of business of Stanley.



We reserve the right to make changes due to technical development without announcement.

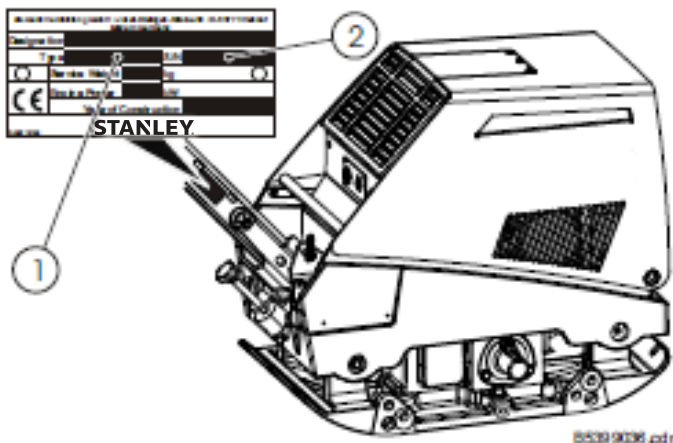
PLEASE ENTER (DATA ON MACHINE TYPE PLATE)

1. MACH.-TYPE: _____

2. MACH.-NO.: _____

3. ENGINE-TYPE: _____

4. ENGINE-NO.: _____



Stanley Hydraulic Tools
3810 SE Naef Rd
Milwaukie, OR 97267
Ph: 503-659-5660
Fax: 503-652-1780

ADHESIVES

Sealing- and bonding adhesives

| | | | | |
|-----|----|--------------|----------------------|---------|
| A1 | 1 | 2-9L0 00 002 | Loctite 262 | 250 ml |
| A2 | 2 | 2-806 05 260 | Loctite 5205 | 300 ml |
| A3 | 3 | 2-806 02 010 | Shell Alvania R3 | 1.0 kg |
| A4 | 4 | 2-9IH 00 001 | Epple 22 | 250 ml |
| A5 | 5 | 2-9K0 00 020 | Klüber 46 MR401 | 0.75 kg |
| A6 | 6 | 2-806 05 060 | Atmosit Compact | 75 ml |
| A7 | 7 | 2-806 05 200 | Sico Met 50 | 20 g |
| A8 | 8 | 2-806 05 170 | Omni Visc 1002 | |
| A9 | 9 | 2-806 02 050 | Shell Alvania EP1 | 600 g |
| A10 | 10 | 2-806 05 310 | Beta Link K1 | |
| A11 | 11 | 2-806 03 017 | Metaflux | |
| A12 | 12 | 2-806 05 290 | Loctite 5910 | 300 ml |
| A13 | 13 | 2-9L0 00 001 | Loctite Cleaner 7063 | 450 ml |
| A14 | 14 | 2-9L0 00 006 | Loctite 221 | 50 ml |
| A15 | 15 | 2-806 05 090 | Omni Visc 1050 | 50 ml |
| | 16 | 2-9L000005 | Loctite 638 | 250 ml |

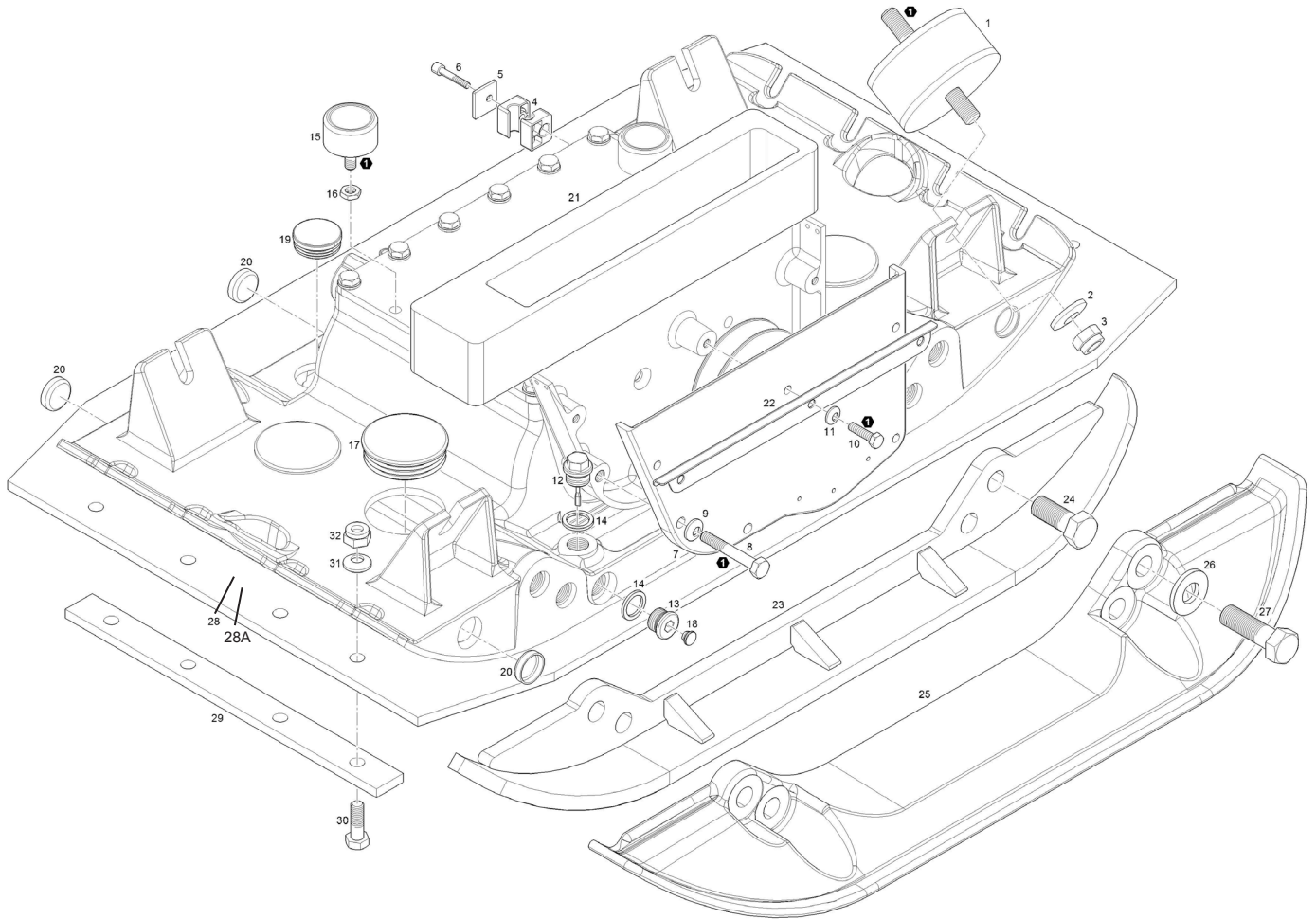
as specified in the individual exploded views

TAB01010.cdr

Conversion: Newton-Meters to in. lb. and ft. lb.

| Nm | In. lb. | Ft. lb. |
|----|---------|---------|
| 5 | 44.2 | 3.6 |
| 10 | 88.5 | 7.3 |
| 15 | 132 | 11.0 |
| 20 | 177 | 14.7 |
| 25 | 221.2 | 18.4 |
| 30 | 265.5 | 22.1 |
| 35 | 309.7 | 25.8 |
| 40 | 354 | 29.5 |
| 45 | 398.2 | 33.1 |
| 50 | 442 | 36.8 |
| 55 | 486.7 | 40.5 |
| 60 | 531 | 44.2 |

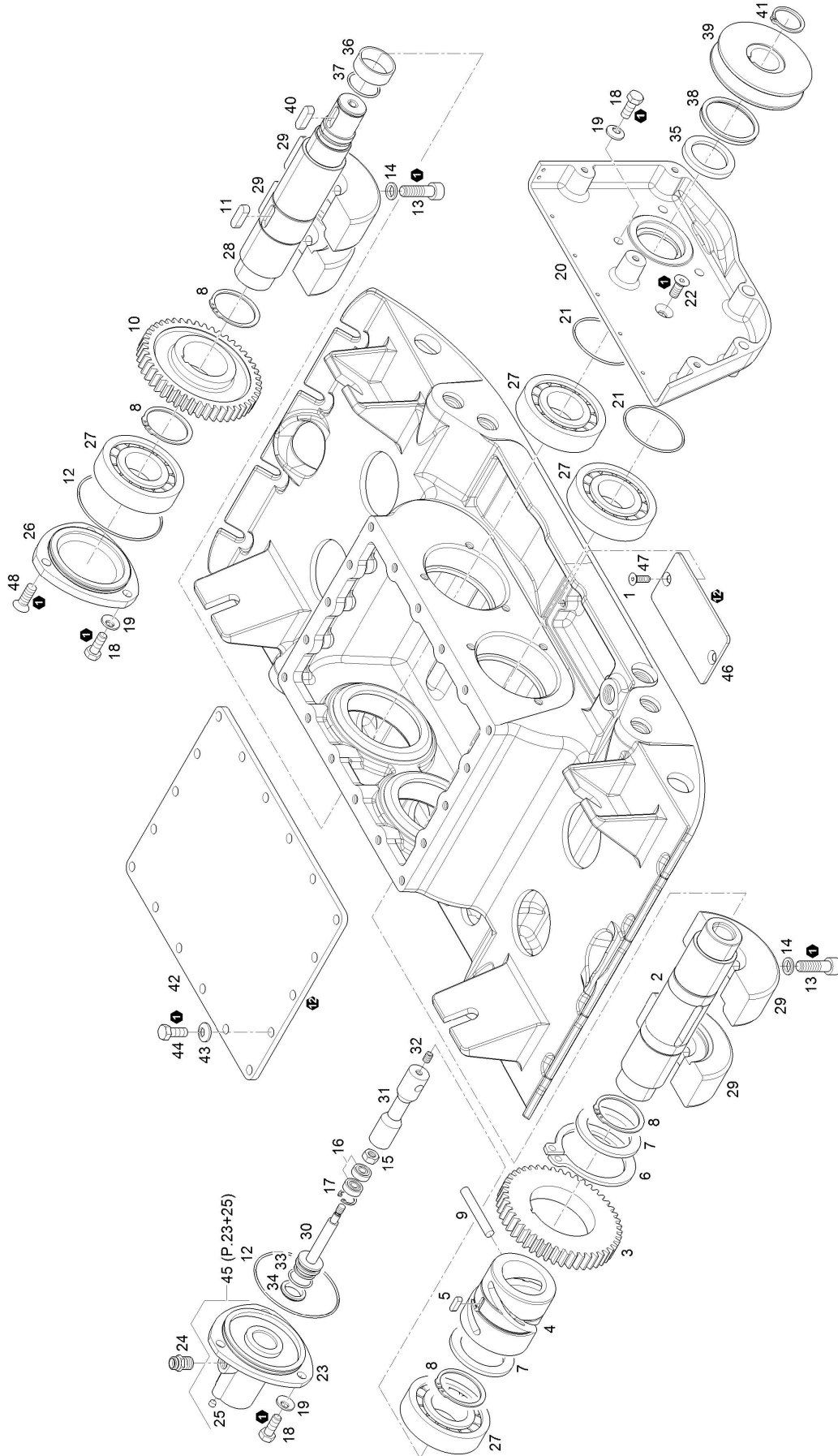
SRP 4960 PARTS



| Item # | Part # | Qty | Description |
|--------|--------|-----|------------------------|
| 1 | 75082 | 4 | Rubber Buffer |
| 2 | 75529 | 4 | Conical Spring Washer |
| 3 | 75757 | 4 | Hexagon Nut |
| 4 | 75549 | 1 | Clamping Piece |
| 5 | 75550 | 1 | Cover Plate |
| 6 | 75676 | 1 | Socket Head Cap Screw |
| 7 | 75284 | 1 | Cover, Belt Guard |
| 8 | 75714 | 2 | Hexagon Head Cap Screw |
| 9 | 75530 | 2 | Conical Spring Washer |
| 10 | 75730 | 4 | Hexagon Head Cap Screw |
| 11 | 75531 | 4 | Conical Spring Washer |
| 12 | 75310 | 1 | Oil Measuring Rod |
| 13 | 75671 | 1 | Screw Plug |
| 14 | 75456 | 2 | Joint Washer |
| 15 | 75472 | 4 | Buffer Stop |
| 16 | 75748 | 4 | Hexagon Nut |
| 17 | 75654 | 4 | Closing Plug |

| Item # | Part # | Qty | Description |
|--------|--------|-----|---|
| 18 | 75651 | 1 | Protection Plug |
| 19 | 75656 | 3 | Closing Plug |
| 20 | 75556 | 6 | Cover Lid |
| 21 | 75286 | 1 | Packing, V-Belt Guard |
| 22 | 75287 | 1 | Guide Rail, V-Belt Guard |
| 23 | 75281 | 2 | Mounting Bracket |
| 24 | 75741 | 8 | Hexagon Head Cap Screw |
| 25 | 75271 | 2 | Mounting Bracket |
| 26 | 75534 | 8 | Conical Spring Washer |
| 27 | 75720 | 8 | Hexagon Head Cap Screw |
| 28 | 75213 | 1 | Plate 600mm/23.62 in. |
| 28A | 75214 | 1 | Plate 750mm/29.52 in. |
| 29 | 75212 | 2 | Flat Steel |
| 30 | 75717 | 6 | Hexagon Head Cap Screw |
| 31 | 75528 | 6 | Conical Spring Washer |
| 32 | 75755 | 6 | Hexagon Nut |
| A01 | 75887 | 1 | Vulkollan Plate, Assy. 75mm Includes items 28 thru 32. |
| A02 | 75083 | 1 | Vulkollan Plate, Assy. 150mm Includes items 28 thru 32 |

SRP 4960 PARTS

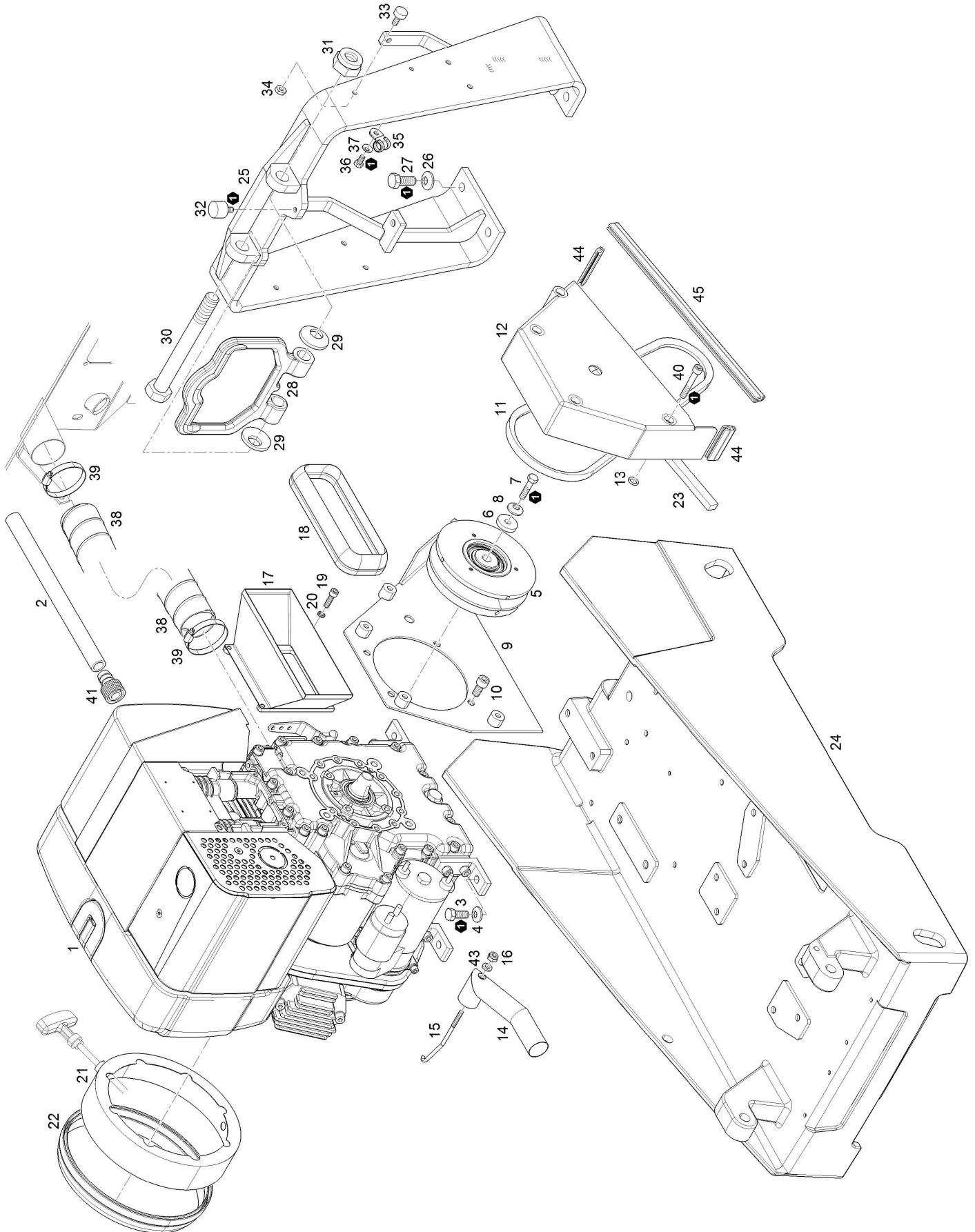


SRP 4960 PARTS

| Item # | Part # | Qty | Description |
|--------|--------|-----|--------------------------|
| 1 | 75277 | 1 | Base Plate |
| 2 | 75273 | 1 | Exciter Shaft |
| 3 | 75311 | 1 | Gear |
| 4 | 75272 | 1 | Adjusting Wheel |
| 5 | 75477 | 1 | Key, Hardened |
| 6 | 75506 | 1 | Retaining Ring |
| 7 | 75408 | 2 | Axial Bearing Washer |
| 8 | 75500 | 4 | Retaining Ring |
| 9 | 75538 | 1 | Cylindrical Pin |
| 10 | 75239 | 1 | Gear |
| 11 | 75478 | 1 | Key |
| 12 | 75430 | 2 | O-Ring |
| 13 | 75699 | 4 | Socket Head Cap Screw |
| 14 | 75523 | 4 | Lock Washer |
| 15 | 75753 | 1 | Hexagon Nut |
| 16 | 75398 | 2 | Deep Groove Ball Bearing |
| 17 | 75491 | 1 | Retaining Ring |
| 18 | 75733 | 8 | Hexagon Head Cap Screw |
| 19 | 75527 | 8 | Lock Washer |
| 20 | 75285 | 1 | V-Belt Guard |
| 21 | 75435 | 2 | O-Ring |
| 22 | 75765 | 1 | Countersunk Screw |
| 23 | 75244 | 1 | Switch Cover |
| 24 | 75557 | 1 | Male Stud Standpipe |
| 25 | 75561 | 1 | Sealing Plug |

| Item # | Part # | Qty | Description |
|--------|--------|-----|----------------------------|
| 26 | 75309 | 1 | Bearing Cover |
| 27 | 75407 | 4 | Cylindrical Roller Bearing |
| 28 | 75282 | 1 | Exciter Shaft |
| 29 | 75275 | 4 | Exciter Weight |
| 30 | 75241 | 1 | Piston |
| 31 | 75240 | 1 | Guide Piston |
| 32 | 75783 | 1 | Threaded Pin |
| 33 | 75431 | 1 | O-Ring |
| 34 | 75448 | 1 | Piston Packing |
| 35 | 75418 | 1 | Shaft Sealing Ring |
| 36 | 75414 | 1 | Internal Ring |
| 37 | 75432 | 1 | O-Ring |
| 38 | 75444 | 1 | V-Ring |
| 39 | 75283 | 1 | V-Belt Pulley |
| 40 | 75480 | 1 | Key |
| 41 | 75497 | 1 | Retaining Ring |
| 42 | 75279 | 1 | Cover |
| 43 | 75527 | 14 | Lock Washer |
| 44 | 75731 | 14 | Hexagon Head Cap Screw |
| 45 | 75243 | 1 | Switch Cover Cpl. |
| 46 | 75280 | 1 | Sheet Plate |
| 47 | 75763 | 2 | Countersunk Screw |
| 48 | 75766 | 1 | Countersunk Screw |
| A03 | 75278 | 1 | Base Plate Assembly |

SRP 4960 PARTS

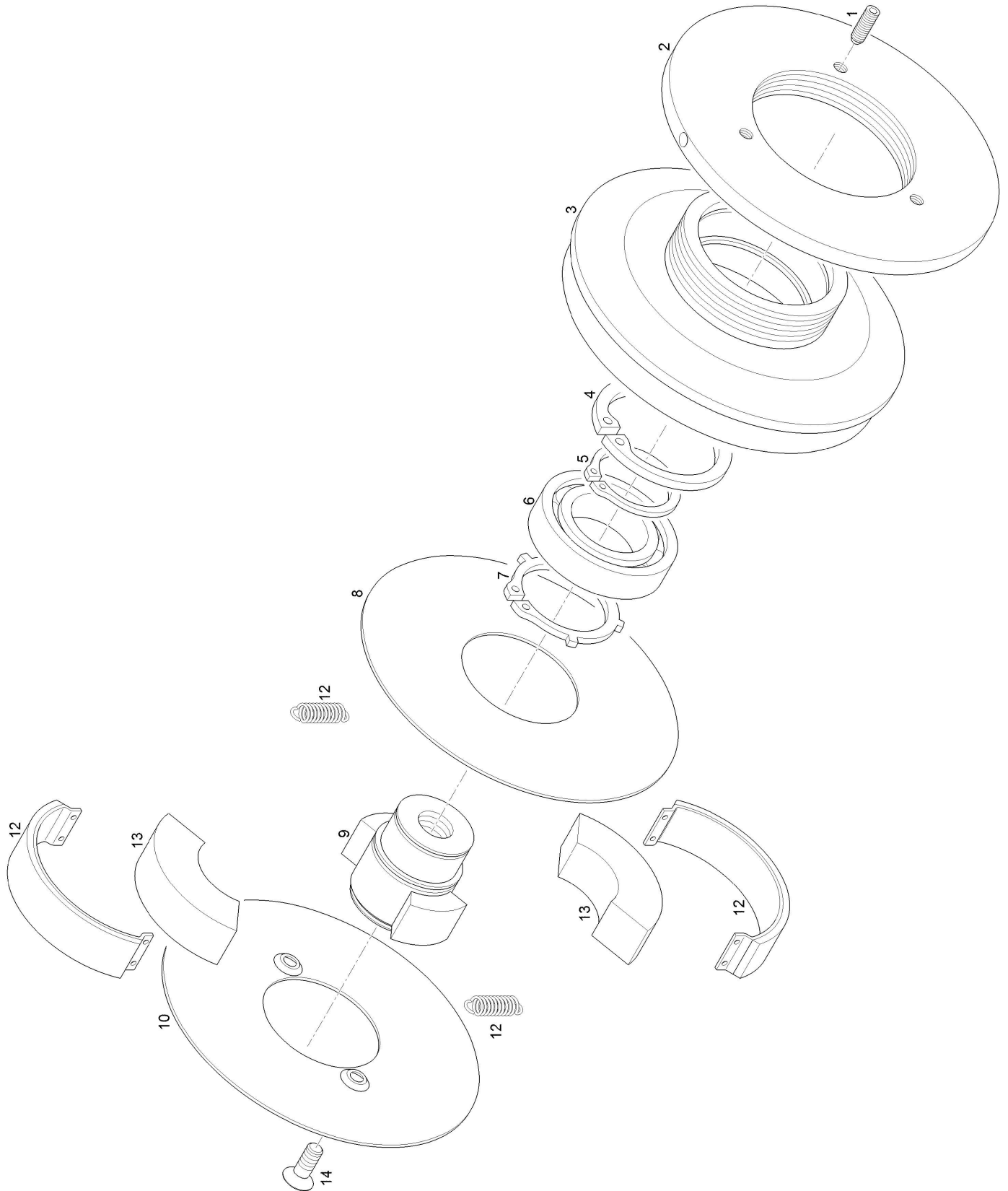


SRP 4960 PARTS

| Item # | Part # | Qty | Description |
|--------|--------|-----|--------------------------|
| 1 | 75629 | 1 | Diesel Engine |
| 2 | 75267 | 1 | Hose |
| 3 | 75733 | 4 | Hexagonal Head Cap Screw |
| 4 | 75530 | 4 | Conical Spring Washer |
| 5 | 75581 | 1 | Centrifugal Clutch |
| 6 | 75316 | 1 | Washer |
| 7 | 75743 | 1 | Hexagonal Head Cap Screw |
| 8 | 75531 | 1 | Conical Spring Washer |
| 9 | 75292 | 1 | V-Belt Guard |
| 10 | 75687 | 4 | Socket Head Cap Screw |
| 11 | 75465 | 1 | V-Belt |
| 12 | 75293 | 1 | V-Belt Guard |
| 13 | 75433 | 4 | O-Ring |
| 14 | 75296 | 1 | Exhaust Elbow |
| 15 | 75269 | 1 | Hook Screw |
| 16 | 75858 | 1 | Hexagon Nut |
| 17 | 75297 | 1 | Air Duct |
| 18 | 75475 | 1 | Profile |
| 19 | 75674 | 2 | Socket Head Cap Screw |
| 20 | 75520 | 4 | Lock Washer |
| 21 | 75298 | 1 | Air Duct |
| 22 | 75474 | 1 | Profile |
| 23 | 75388 | 1 | Rubber Profile |

| Item # | Part # | Qty | Description |
|--------|--------|-----|--------------------------|
| 24 | 75276 | 1 | Upper Part |
| 25 | 75291 | 1 | Transport Bracket |
| 26 | 75528 | 4 | Conical Spring Washer |
| 27 | 75737 | 4 | Hexagonal Head Cap Screw |
| 28 | 75383 | 1 | Lifting Eye |
| 29 | 75535 | 4 | Plate Spring |
| 30 | 75721 | 1 | Hexagonal Head Cap Screw |
| 31 | 75758 | 1 | Hexagon Nut |
| 32 | 75467 | 1 | Buffer Stop |
| 33 | 75470 | 2 | Buffer Stop |
| 34 | 75747 | 3 | Hexagon Nut |
| 35 | 75543 | 1 | Pipe Retaining Clip |
| 36 | 75723 | 1 | Hexagonal Head Cap Screw |
| 37 | 75533 | 1 | Conical Spring Washer |
| 38 | 75578 | 1 | Hose |
| 39 | 75555 | 2 | Clamping Piece |
| 40 | 75683 | 4 | Socket Head Cap Screw |
| 41 | 75855 | 1 | Fitting |
| 43 | 75508 | 1 | Washer |
| 44 | 75387 | 2 | Rubber Profile |
| 45 | 75386 | 1 | Rubber Profile |

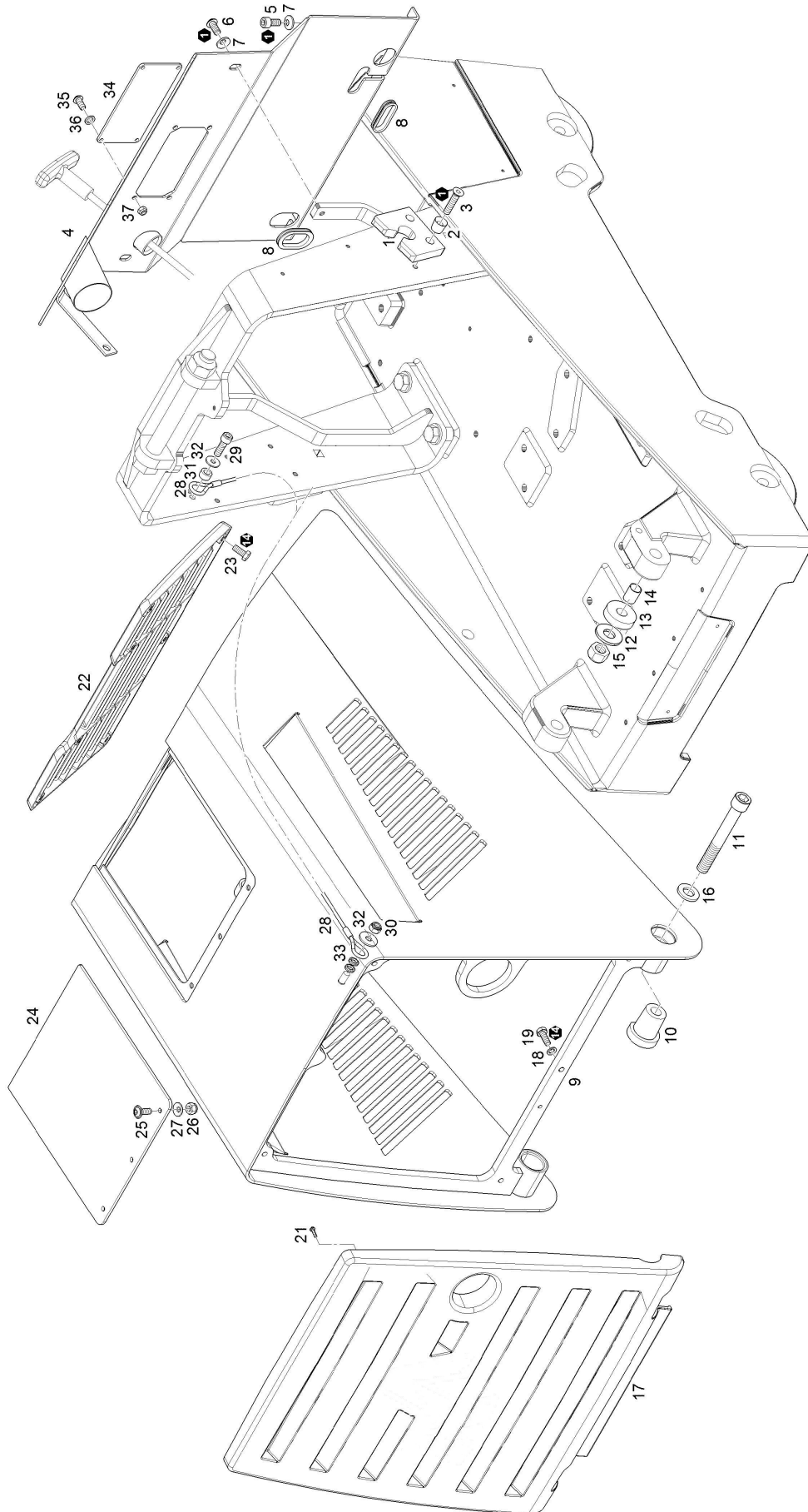
SRP 4960 PARTS



SRP 4960 PARTS

| Item No. | Part No. | Qty | Description |
|----------|----------|-----|------------------------------------|
| 1 | 75704 | 3 | Threaded Pin |
| 2 | 75590 | 1 | Belt Pulley |
| 3 | 75588 | 1 | Housing |
| 4 | 75485 | 1 | Retaining Ring |
| 5 | 75497 | 1 | Retaining Ring |
| 6 | 75396 | 1 | Deep Groove Ball Bearing |
| 7 | 75503 | 1 | Retaining Ring |
| 8 | 75602 | 1 | Cover Disc |
| 9 | 75589 | 1 | Hub |
| 10 | 75387 | 2 | Cover Disc |
| 12 | 75932 | 1 | Repairing Set (Includes 4 Springs) |
| 13 | 75601 | 2 | Centrifugal Weight |
| 14 | 75768 | 2 | Countersunk Screw |

SRP 4960 PARTS

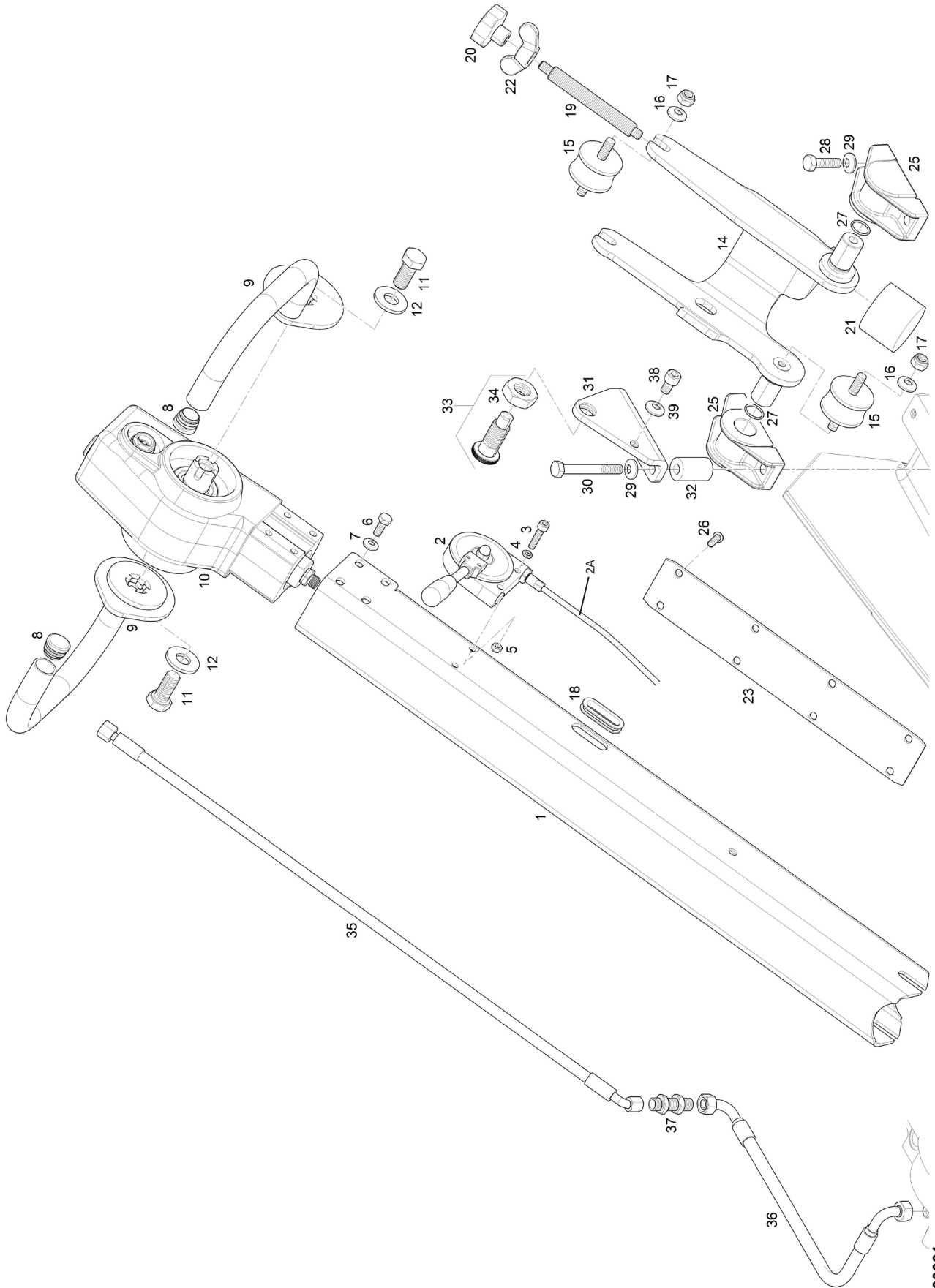


SRP 4960 PARTS

| Item # | Part # | Qty | Description |
|--------|--------|-----|--------------------------|
| 1 | 75288 | 2 | Clamp |
| 2 | 75294 | 4 | Tension Sleeve |
| 3 | 75764 | 4 | Countersunk Screw |
| 4 | 75299 | 1 | Separation Sheet |
| 5 | 75679 | 4 | Socket Head Cap Screw |
| 6 | 75776 | 2 | Button Socket Head Screw |
| 7 | 75531 | 6 | Conical Spring Washer |
| 8 | 75547 | 2 | Rubber Bushing |
| 9 | 75302 | 1 | Hood |
| 10 | 75313 | 2 | Spring Element |
| 11 | 75692 | 2 | Socket Head Cap Screw |
| 12 | 75532 | 2 | Conical Spring Washer |
| 13 | 75295 | 2 | Washer |
| 14 | 75409 | 2 | Bush |
| 15 | 75756 | 2 | Hexagon Nut |
| 16 | 75507 | 2 | Washer |
| 17 | 75301 | 1 | Panel |
| 18 | 75520 | 5 | Lock Washer |
| 19 | 75724 | 5 | Hexagonal Head Cap Screw |
| 22 | 75289 | 1 | Panel |
| 23 | 75722 | 7 | Hexagonal Head Cap Screw |

| Item # | Part # | Qty | Description |
|--------|--------|-----|--------------------------|
| 24 | 75300 | 1 | Plate |
| 25 | 75780 | 3 | Button Socket Head Screw |
| 26 | 75752 | 3 | Hexagon Nut |
| 27 | 75533 | 3 | Conical Spring Washer |
| 28 | 75314 | 1 | Rope |
| 29 | 75680 | 1 | Socket Head Cap Screw |
| 30 | 75753 | 1 | Hexagon Nut |
| 31 | 75308 | 1 | Distance Bush |
| 32 | 75512 | 2 | Washer |
| 33 | 75521 | 2 | Lock Washer |
| 34 | 75312 | 1 | Sheet Plate |
| 35 | 75779 | 4 | Button Socket Head Screw |
| 36 | 75520 | 4 | Lock Washer |
| 37 | 75752 | 4 | Hexagon Nut |

SRP 4960 PARTS



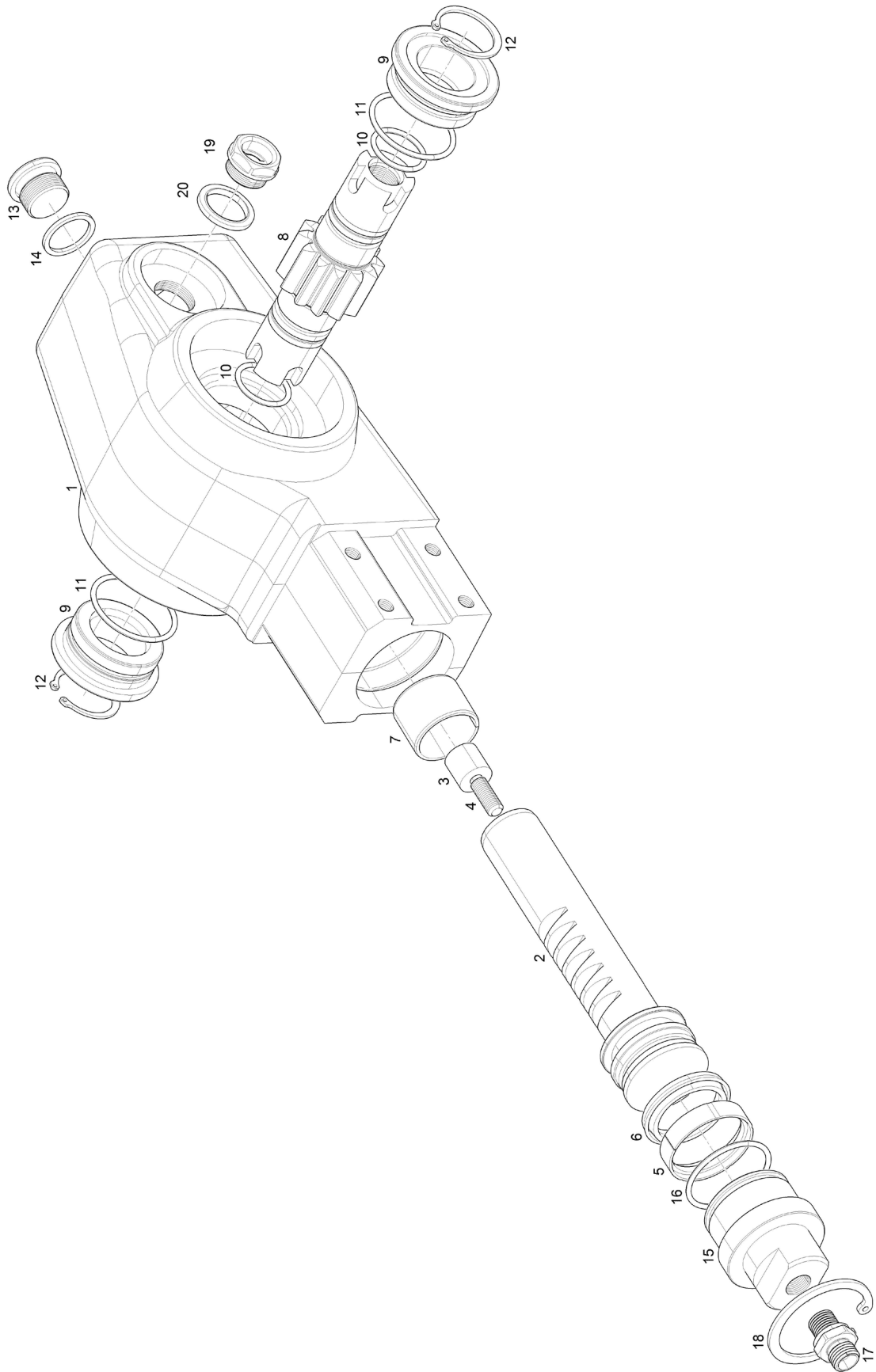
4803031

SRP 4960 PARTS

| Item # | Part # | Qty | Description |
|--------|--------|-----|------------------------|
| 1 | 75270 | 1 | Drawbar Profile |
| 2 | 75645 | 1 | Speed Control, Cpl. |
| 2A | 75646 | 1 | Throttle Cable |
| 3 | 75675 | 2 | Socket Head Cap Screw |
| 4 | 75520 | 2 | Lock Washer VS6 |
| 5 | 75752 | 2 | Hexagon Nut M6 |
| 6 | 75727 | 8 | Hexagon Head Cap Screw |
| 7 | 75531 | 8 | Conical Spring Washer |
| 8 | 75652 | 2 | Plug |
| 9 | 75262 | 2 | Drawbar Grip |
| 10 | 75234 | 1 | Control valve, assy. |
| 11 | 75740 | 2 | Hexagon Head Cap Screw |
| 12 | 75529 | 2 | Conical Spring Washer |
| 14 | 75260 | 1 | Drawbar Console |
| 15 | 75391 | 4 | Rubber Buffer |
| 16 | 75530 | 4 | Conical Spring Washer |
| 17 | 75754 | 4 | Hexagon Nut M10 |
| 18 | 75547 | 1 | Rubber Bushing |
| 19 | 75223 | 1 | Threaded Bolt |

| Item # | Part # | Qty | Description |
|--------|--------|-----|----------------------------|
| 20 | 75640 | 1 | Star Grip |
| 21 | 75473 | 1 | Rubber Buffer |
| 22 | 75770 | 1 | Wing Nut |
| 23 | 75261 | 1 | Panel Sheet |
| 25 | 75251 | 2 | Drawbar Bearing |
| 26 | 75779 | 8 | Socket Button Screw |
| 27 | 75422 | 2 | O-Ring |
| 28 | 75734 | 2 | Hexagon Head Cap Screw |
| 29 | 75530 | 4 | Conical Spring Washer |
| 30 | 75715 | 2 | Hexagon Head Cap Screw |
| 31 | 75265 | 1 | Drawbar Support |
| 32 | 75266 | 2 | Pipe |
| 33 | 75641 | 1 | Cotter Pin |
| 34 | 75750 | 1 | Hexagon Nut |
| 35 | 75199 | 1 | Hydraulic Hose |
| 36 | 75274 | 1 | Hydraulic Hose |
| 37 | 75558 | 1 | Bulkhead Straight Coupling |

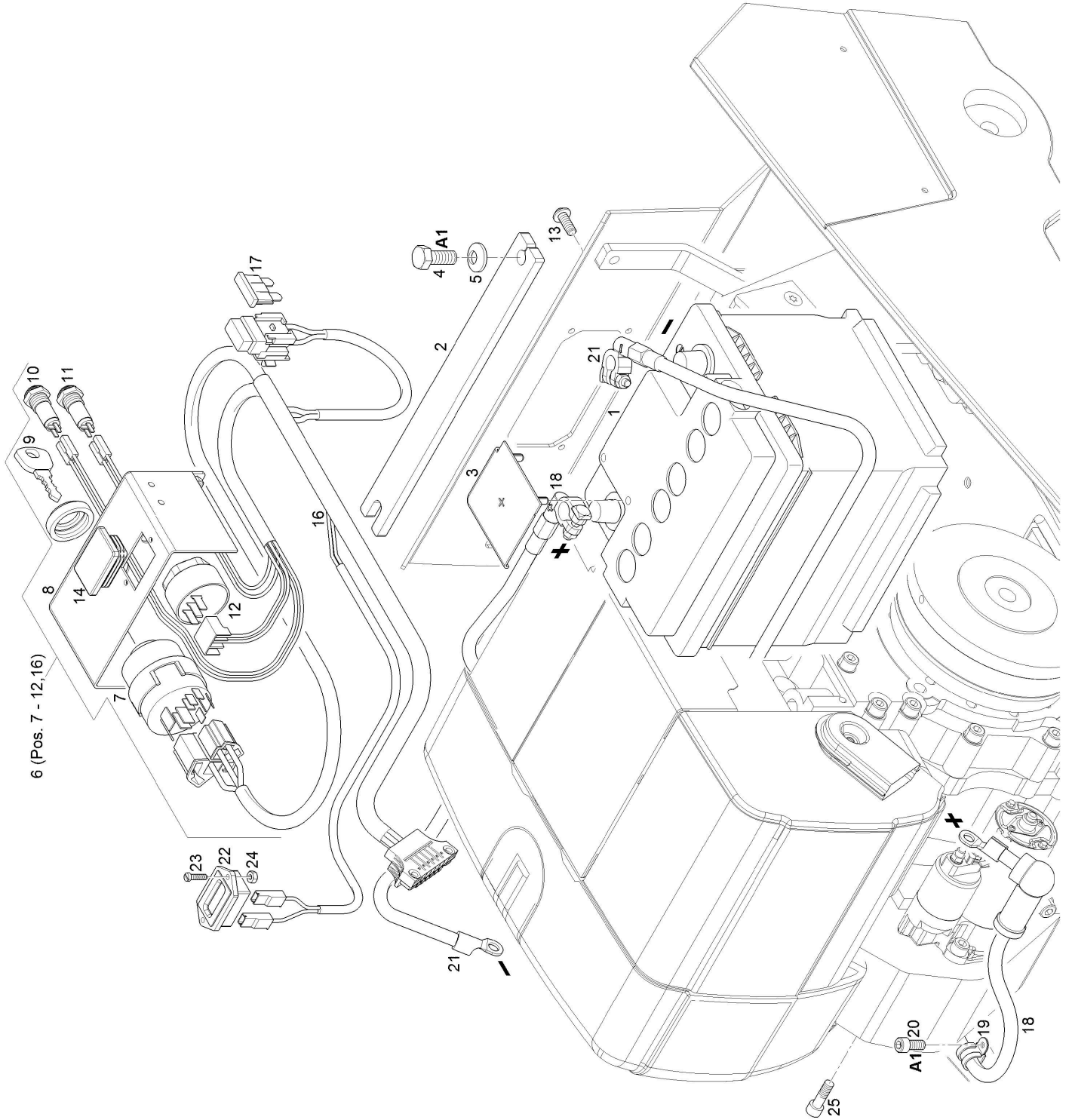
SRP 4960 PARTS



SRP 4960 PARTS

| Item No. | Part No. | Qty | Description |
|----------|----------|-----|---------------------|
| 1 | 75256 | 1 | Drawbar valve |
| 2 | 75258 | 1 | Piston rod |
| 3 | 75232 | 1 | Pipe spring |
| 4 | 75705 | 1 | Threaded pin |
| 5 | 75445 | 1 | Guide ring |
| 6 | 75449 | 1 | Piston packing |
| 7 | 75410 | 1 | Bush |
| 8 | 75263 | 1 | Pinion shaft |
| 9 | 75259 | 2 | Bush |
| 10 | 75428 | 2 | O-Ring |
| 11 | 75423 | 2 | O-Ring |
| 12 | 75495 | 2 | Retaining ring |
| 13 | 75671 | 1 | Screw plug |
| 14 | 75454 | 1 | Joint washer |
| 15 | 75257 | 1 | Valve cover |
| 16 | 75423 | 1 | O-Ring |
| 17 | 75557 | 1 | Male stud standpipe |
| 18 | 75483 | 1 | Retaining ring |
| 19 | 75569 | 1 | Oil level indicator |
| 20 | 75459 | 1 | Joint washer |

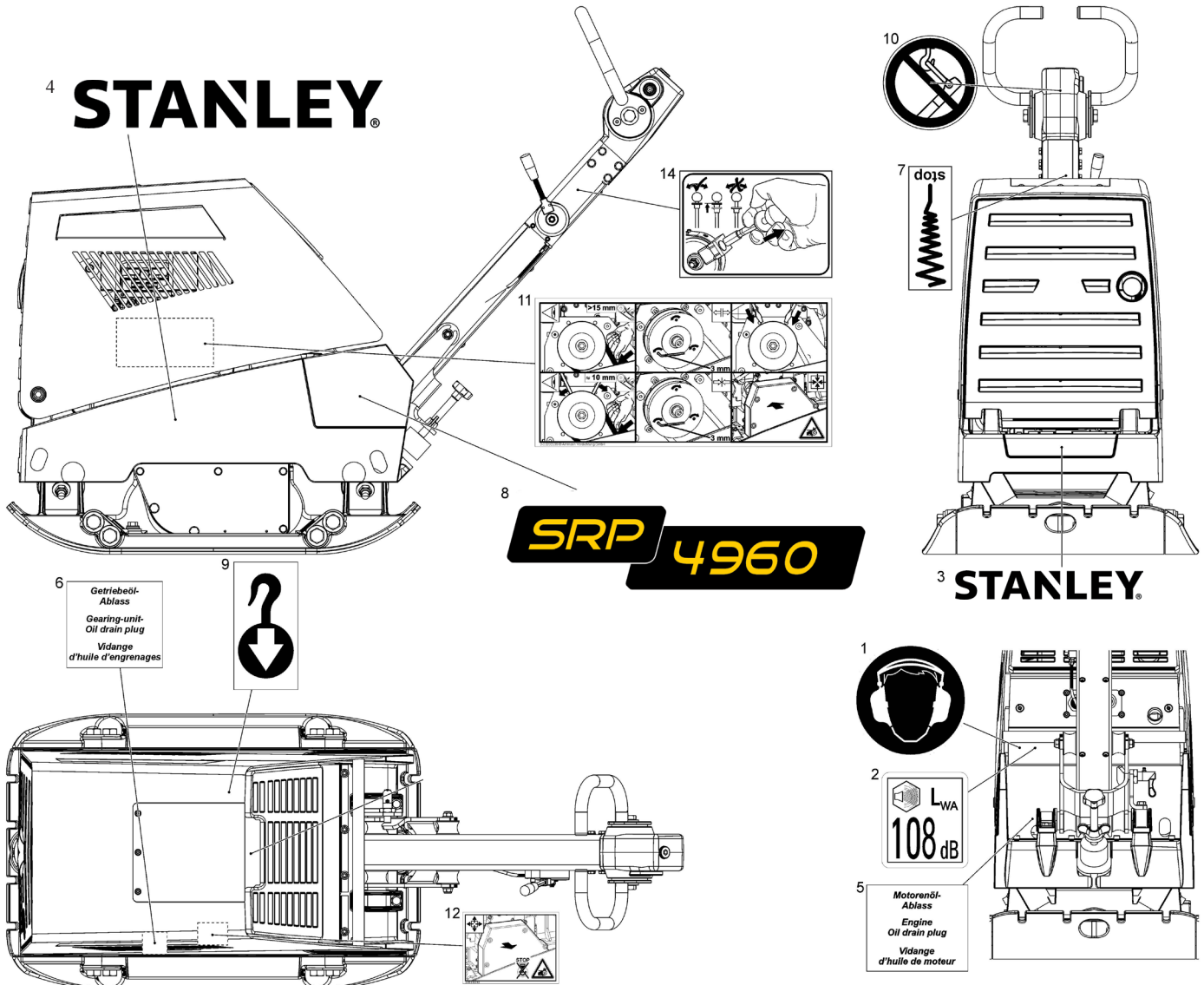
SRP 4960 PARTS



SRP 4960 PARTS

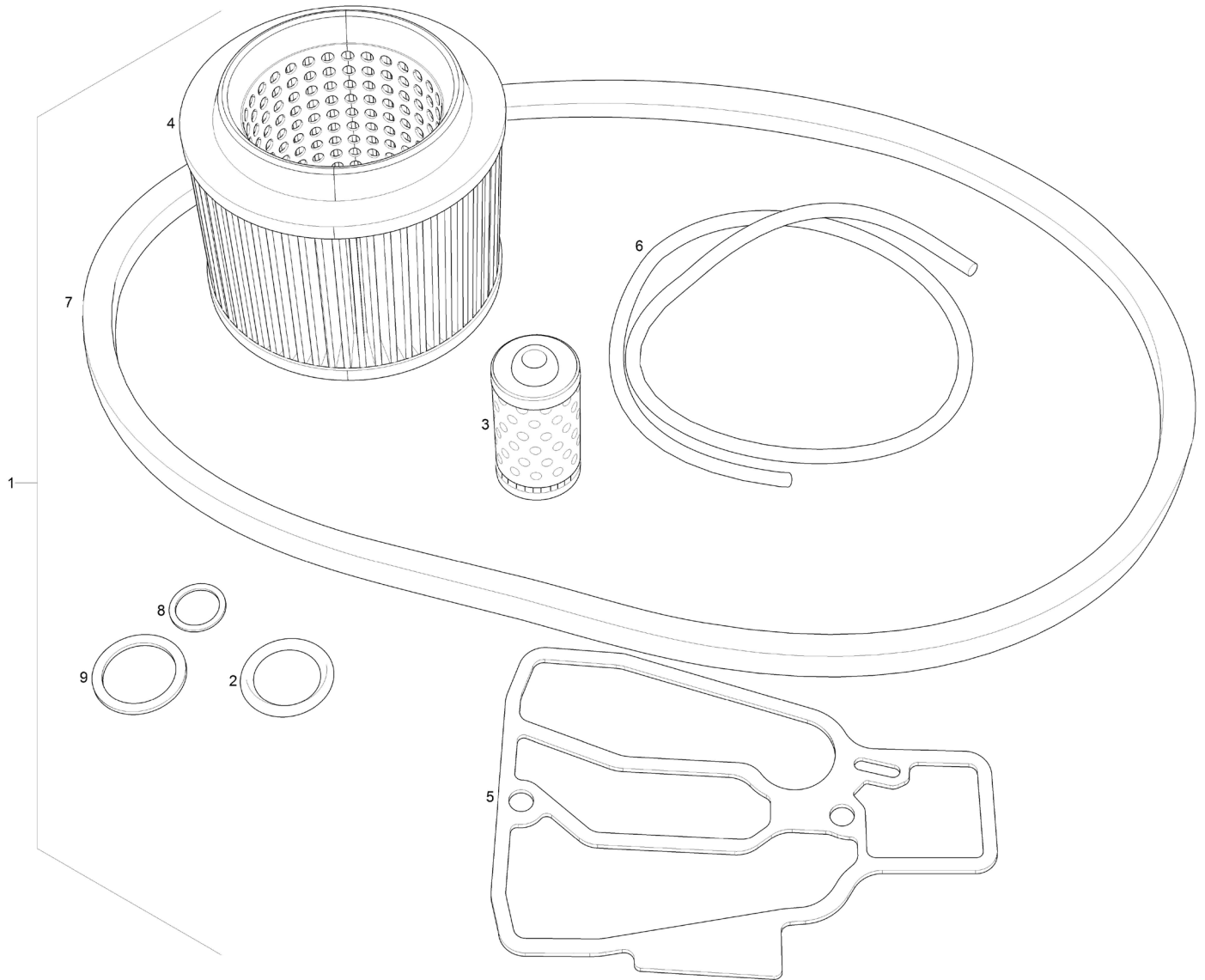
| Item No. | Part No. | Qty | Description |
|----------|----------|-----|-----------------------------|
| 1 | 75665 | 1 | Battery |
| 2 | 75268 | 1 | Battery Fastener |
| 3 | 75666 | 1 | Battery Cap |
| 4 | 75733 | 2 | Hexagon Head Cap Screw |
| 5 | 75530 | 2 | Conical Spring Washer |
| 6 | 75305 | 1 | Startpanel, Assy. |
| 7 | 75668 | 1 | Ignition Switch |
| 8 | 75290 | 1 | Sheet |
| 9 | 75667 | 1 | Ignition Key |
| 10 | 75658 | 1 | Light Emitting Diode, Red |
| 11 | 75659 | 1 | Light Emitting Diode, Green |
| 12 | 75660 | 1 | Buzzer |
| 13 | 75780 | 4 | Socket Button Screw |
| 14 | 75657 | 1 | Plastic Plug |
| 16 | 75306 | 1 | Cable Harness |
| 17 | 75669 | 1 | Fuse |
| 18 | 75303 | 1 | Battery Cable |
| 19 | 75544 | 2 | Pipe Retaining Clip |
| 20 | 75673 | 1 | Socket Head Cap Screw |
| 21 | 75304 | 1 | Battery Cable |
| 22 | 75663 | 1 | Operating Hour Meter |
| 23 | 75785 | 2 | Socket Head Cap Screw |
| 24 | 75746 | 2 | Hexagon Nut |
| 25 | 75677 | 1 | Socket Head Cap Screw |

SRP 4960 DECALS



| Item No. | Part No. | Qty | Description |
|----------|----------|-----|------------------------|
| 1 | 75103 | 1 | Adhesive Plate |
| 2 | 75099 | 1 | Adhesive Plate |
| 3 | 74917 | 1 | Stanley Logo 5.5 in. L |
| 4 | 74910 | 2 | Stanley Logo, 15x3 in. |
| 5 | 75091 | 1 | Adhesive Plate |
| 6 | 75092 | 1 | Adhesive Plate |
| 7 | 75090 | 1 | Adhesive Plate |
| 8 | 74907 | 2 | Model Decal |
| 9 | 75097 | 1 | Adhesive Plate |
| 10 | 75098 | 1 | Adhesive Plate |
| 11 | 75094 | 1 | Adhesive Plate |
| 12 | 75095 | 1 | Adhesive Plate |
| 14 | 75089 | 1 | Adhesive Plate |

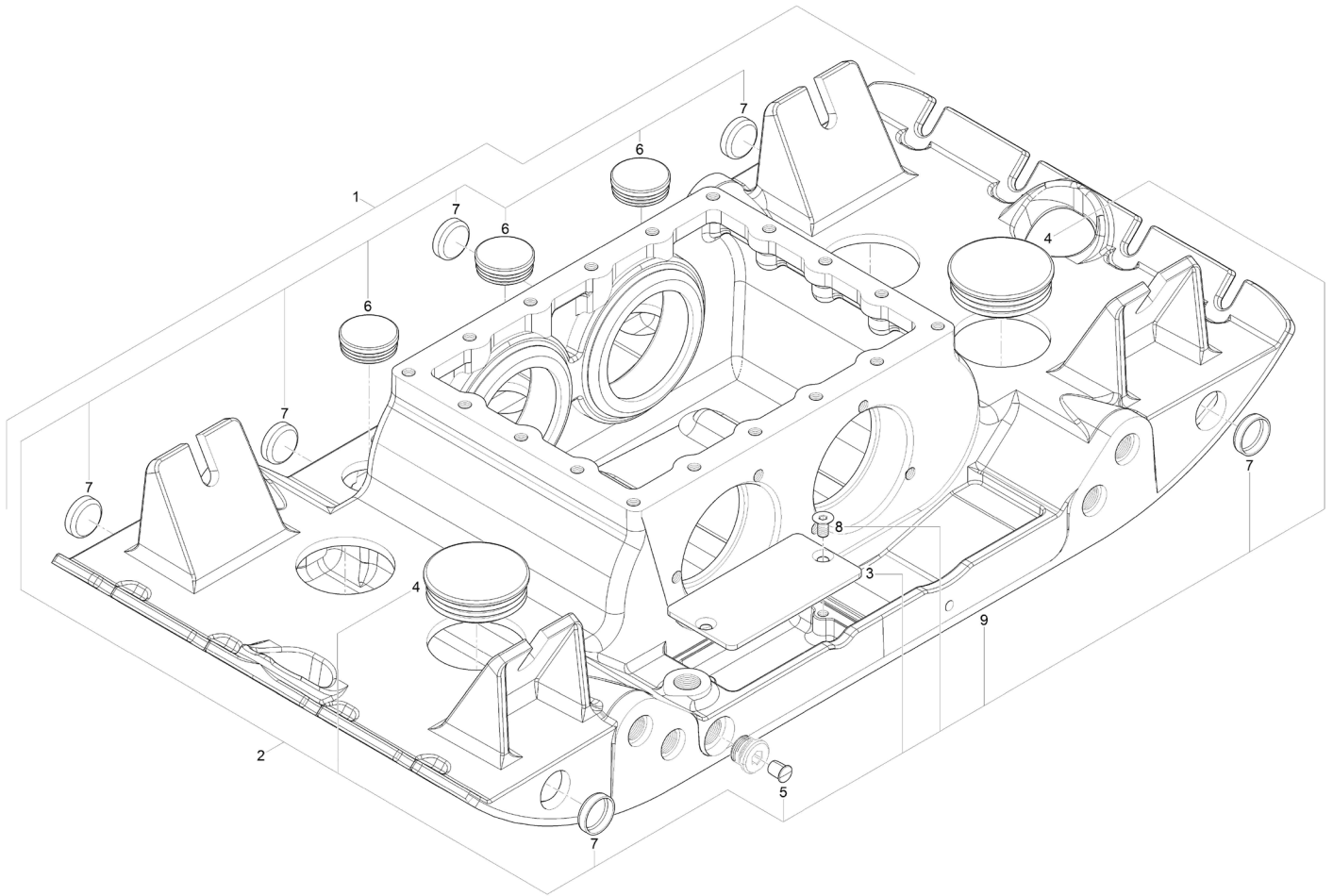
SRP 4960 MAINTENANCE KIT



13025

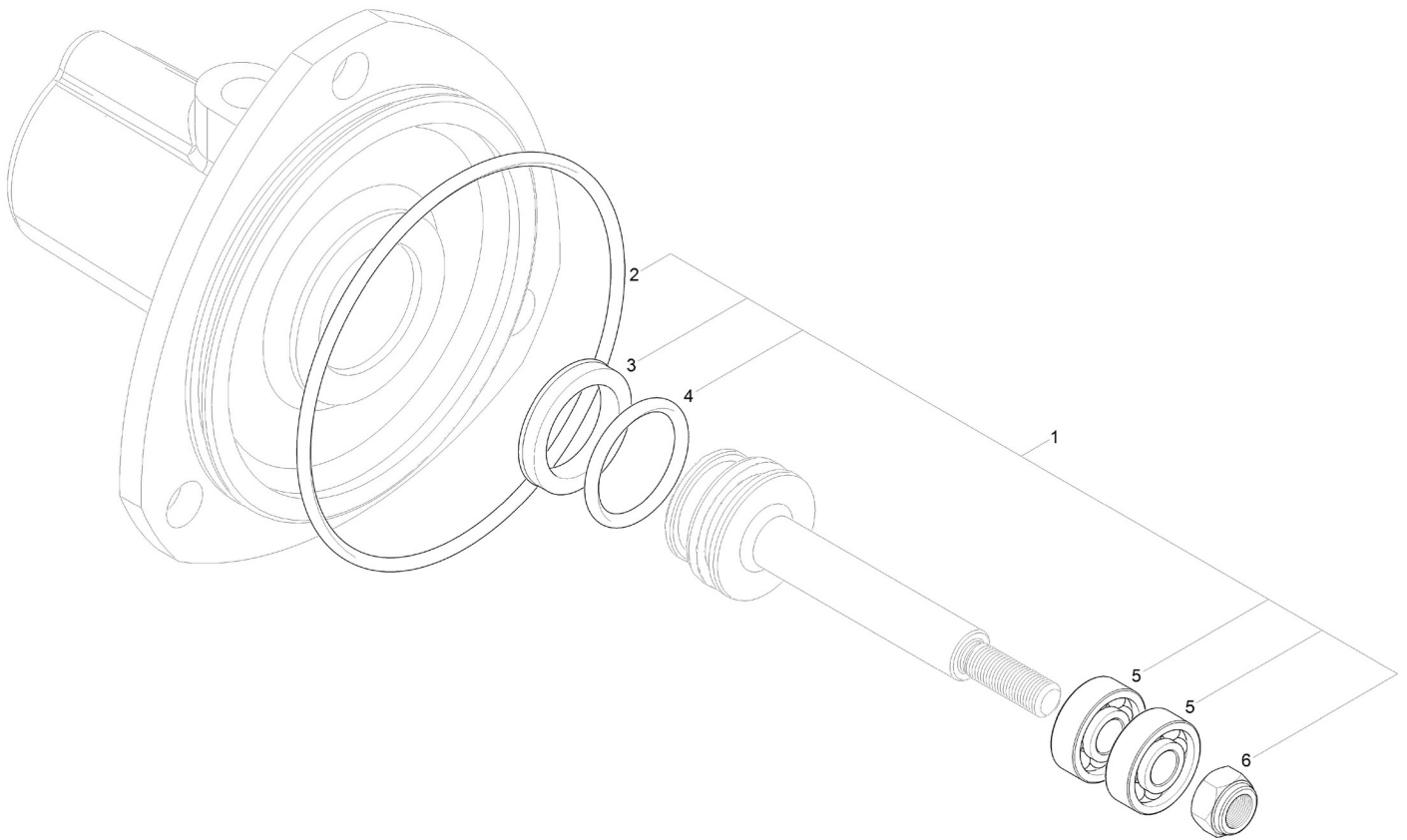
| Item No. | Part No. | Qty | Description |
|----------|----------|-----|--------------------|
| 1 | 75833 | 1 | Maintenance Kit |
| 2 | 75859 | 1 | O-Ring |
| 3 | 75577 | 1 | Fuel Filter |
| 4 | 75576 | 1 | Air Filter |
| 5 | 75857 | 1 | Valve Cover Gasket |
| 6 | 75856 | 1 | Starter Rope |
| 7 | 75465 | 1 | V-Belt |
| 8 | 75453 | 1 | Joint Washer |
| 9 | 75456 | 1 | Joint Washer |

SRP 4960 WEAR PARTS KIT, BASE PLATE



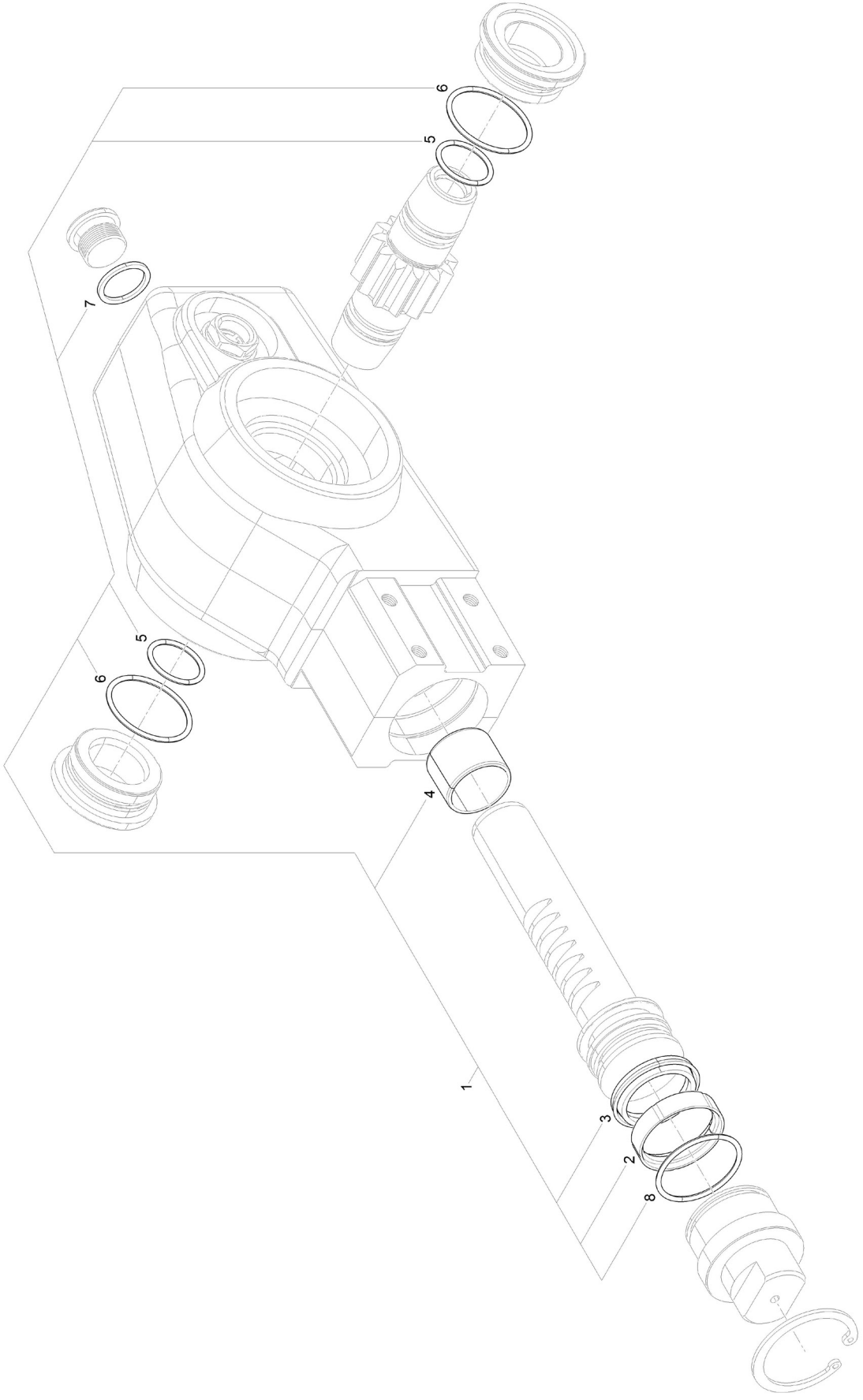
| Item No. | Part No. | Qty | Description |
|----------|----------|-----|---------------------------|
| 1 | 75853 | 1 | Wear Parts Kit Base Plate |
| 2 | 75278 | 1 | Base Plate, Assy. |
| 3 | 75280 | 1 | Sheet Plate |
| 4 | 75654 | 4 | Closing Plug |
| 5 | 75648 | 1 | Protection Plug |
| 6 | 75656 | 3 | Closing Plug |
| 7 | 75556 | 6 | Cover Lid |
| 8 | 75763 | 2 | Countersunk Screw |
| 9 | 75277 | 1 | Base Plate |

SRP 4960 WEAR PARTS KIT, PISTON



| Item No. | Part No. | Qty | Description |
|----------|----------|-----|-----------------------|
| 1 | 75849 | 1 | Wear Parts Kit Piston |
| 2 | 75430 | 1 | O-Ring |
| 3 | 75448 | 1 | Piston Packing |
| 4 | 75431 | 1 | O-Ring |
| 5 | 75398 | 2 | Groove Ball Bearing |
| 6 | 75771 | 1 | Hexagon Nut |

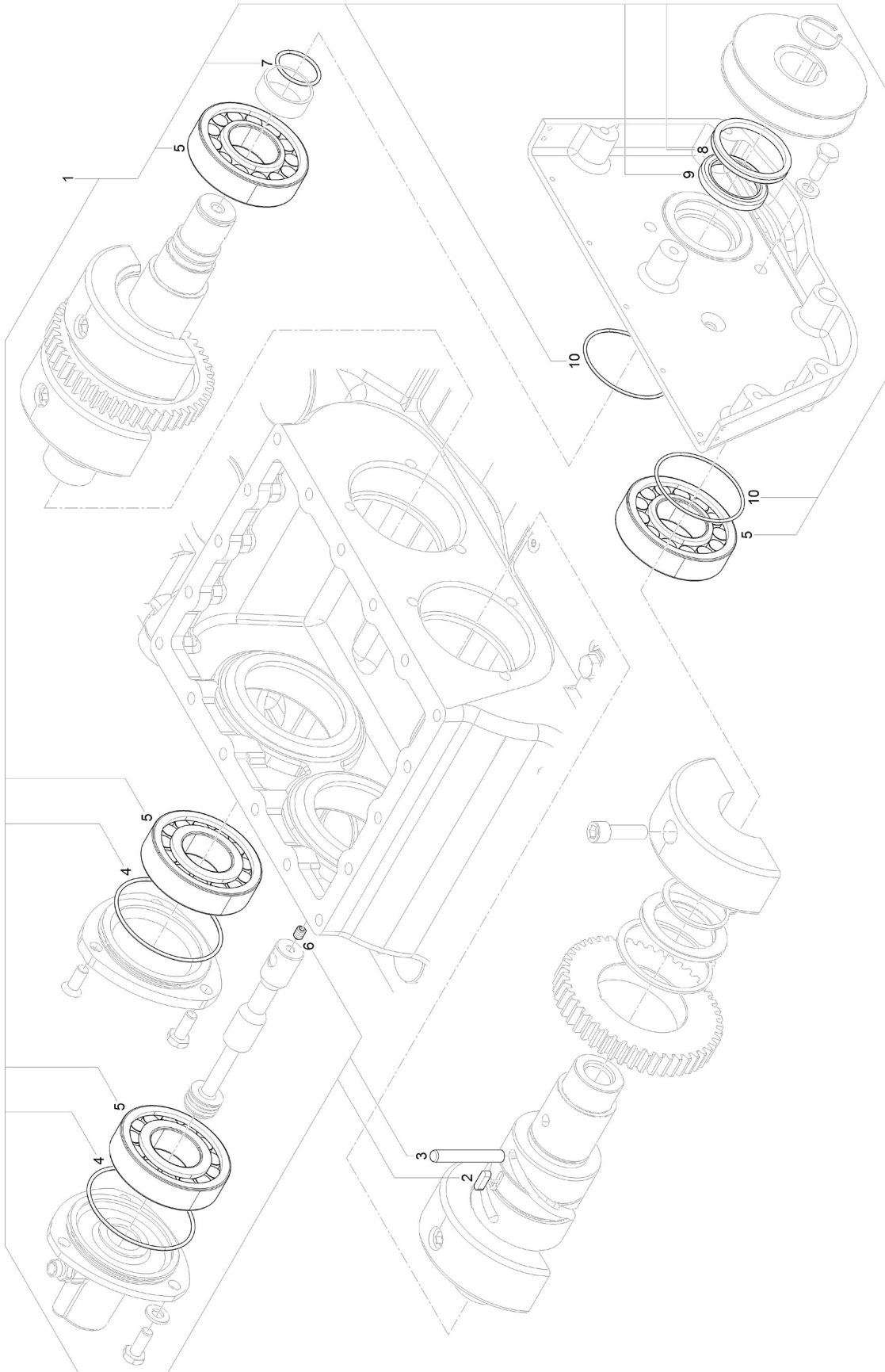
SRP 4960 WEAR PARTS KIT, CONTROL BLOCK



SRP 4960 WEAR PARTS KIT, CONTROL BLOCK

| Item No. | Part No. | Qty | Description |
|----------|----------|-----|------------------------------|
| 1 | 75848 | 1 | Wear Parts Kit Control Block |
| 2 | 75445 | 1 | Guide Ring |
| 3 | 75449 | 1 | Piston Packing |
| 4 | 75410 | 1 | Bush |
| 5 | 75428 | 2 | O-Ring |
| 6 | 75423 | 2 | O-Ring |
| 7 | 75454 | 1 | Joint Washer |
| 8 | 75423 | 1 | O-Ring |

SRP 4960 REPAIR KIT, EXCITER



SRP 4960 REPAIR KIT, EXCITER

| Item No. | Part No. | Qty | Description |
|----------|----------|-----|----------------------------|
| 1 | 75851 | 1 | Repair Kit Exciter |
| 2 | 75477 | 1 | Key, Hardened |
| 3 | 75538 | 1 | Cylindrical Pin |
| 4 | 75430 | 3 | O-Ring |
| 5 | 75407 | 4 | Cylindrical Roller Bearing |
| 6 | 75783 | 1 | Threaded Pin |
| 7 | 75432 | 1 | O-Ring |
| 8 | 75444 | 1 | V-Ring |
| 9 | 75418 | 1 | Shaft Sealing Ring |
| 10 | 75435 | 2 | O-Ring |

SRP 4960 WEAR PARTS KIT, RUBBER BUFFER

WEAR PARTS KIT PICTURE IS NOT AVAILABLE
See page 5 also pages 14 & 15 for parts used in this kit

| Item No. | Part No. | Qty | Description |
|---------------------------|----------|-----|--|
| A04 | 75852 | 1 | Wear Parts Kit Rubber Buffer (Picture Not Available. See Pages Referenced with Parts for Illustration) |
| 15-(pg - 14) | 75391 | 4 | Rubber Buffer |
| 9-(pg - 5) / 16-(pg - 14) | 75530 | 4 | Conical Spring Washer 10FSt |
| 17-(pg - 14) | 75754 | 4 | Hexagon Nut M10 |
| 21-(pg - 14) | 75473 | 1 | Rubber Buffer |
| 1-(pg - 5) | 75082 | 4 | Rubber Buffer |
| 2-(pg - 5) | 75529 | 4 | Conical Spring Washer 16FSt |
| 3-(pg - 5) | 75757 | 4 | Hexagon Nut M16 |

STANLEY®

Stanley Hydraulic Tools
3810 SE Naef Road
Milwaukie, Oregon 97267-5698 USA
(503) 659-5660 / Fax (503) 652-1780
www.stanleyhydraulics.com