

STANLEY®

SRP 5960 COMPACTION REVERSIBLE PLATE



SRP 5960

PARTS MANUAL



© 2015 Stanley Black & Decker, Inc.
New Britain, CT 06053
U.S.A.
74948 5/2017 Ver 3

TABLE OF CONTENTS

MACHINE INFORMATION	3
ADHESIVES	4
SRP 5960 PARTS.....	5 - 19
DECAL INFORMATION.....	20
MAINTENANCE KIT.....	21
WEAR PARTS KIT, RUBBER BUFFER	22
WEAR PARTS KIT, BASE PLATE	23
WEAR PARTS KIT, PISTON.....	24 - 25
WEAR PARTS KIT, CONTROL BLOCK	26 - 27
REPAIR KIT, EXCITER.....	28 - 29

IMPORTANT

To fill out a Product Warranty Validation form, and for information on your warranty, visit Stanleyhydraulics.com and select the Company tab, Warranty.
(NOTE: The warranty Validation record must be submitted to validate the warranty).

SERVICING: This manual contains spare parts. Stanley Hydraulic Tools recommends that servicing this machine, other than routine maintenance, must be performed by an authorized and certified dealer. Please read the following warning.

⚠ WARNING

SERIOUS INJURY OR DEATH COULD RESULT FROM THE IMPROPER REPAIR OR SERVICE OF THIS TOOL.

REPAIRS AND / OR SERVICE TO THIS TOOL MUST ONLY BE DONE BY AN AUTHORIZED AND CERTIFIED DEALER.

For the nearest authorized and certified dealer, call Stanley Hydraulic Tools at the number listed on the back of this manual and ask for a Customer Service Representative.

MACHINE INFORMATION



These instructions include:

- Safety regulations
- Operating instructions
- Maintenance instructions

These instructions are intended to simplify operation of the machine and to avoid malfunctions through improper operation. Observing the maintenance instructions will increase the reliability and service life of the machine when used on the construction site and reduce repair costs and downtimes.

Always keep these instructions at the place of use of the machine.

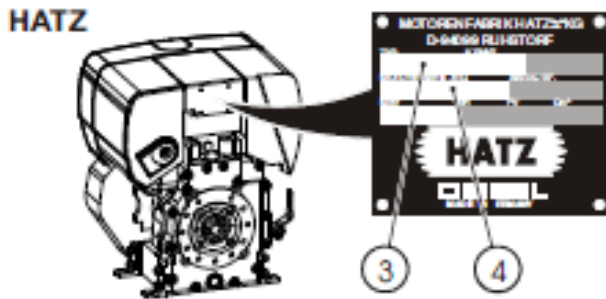
Only operate the machine as instructed and follow these instructions.

Do not fail to comply with the safety provisions, as well as the rules for safety and health protection at work as well as the applicable accident prevention regulations. Also observe the corresponding rules and regulations valid in your state and or country.

Stanley is not liable for the function of the machine when used in an improper manner and for other than the intended purpose.

Operating errors, improper maintenance and the use of incorrect operating materials are not covered by the warranty.

The above information does not extend the warranty and liability conditions of business of Stanley.



We reserve the right to make changes due to technical development without announcement.

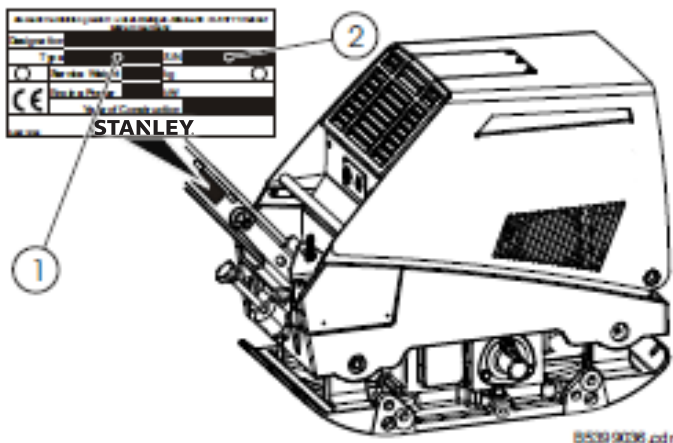
PLEASE ENTER (DATA ON MACHINE TYPE PLATE)

1. MACH.-TYPE: _____

2. MACH.-NO.: _____

3. ENGINE-TYPE: _____

4. ENGINE-NO.: _____



Stanley Hydraulic Tools
3810 SE Naef Rd
Milwaukie, OR 97267
Ph: 503-659-5660
Fax: 503-652-1780

ADHESIVES

Sealing- and bonding adhesives

A1	1	2-9L0 00 002	Loctite 262	250 ml
A2	2	2-806 05 260	Loctite 5205	300 ml
A3	3	2-806 02 010	Shell Alvania R3	1.0 kg
A4	4	2-9IH 00 001	Epple 22	250 ml
A5	5	2-9K0 00 020	Klüber 46 MR401	0.75 kg
A6	6	2-806 05 060	Atmosit Compact	75 ml
A7	7	2-806 05 200	Sico Met 50	20 g
A8	8	2-806 05 170	Omni Visc 1002	
A9	9	2-806 02 050	Shell Alvania EP1	600 g
A10	10	2-806 05 310	Beta Link K1	
A11	11	2-806 03 017	Metaflux	
A12	12	2-806 05 290	Loctite 5910	300 ml
A13	13	2-9L0 00 001	Loctite Cleaner 7063	450 ml
A14	14	2-9L0 00 006	Loctite 221	50 ml
A15	15	2-806 05 090	Omni Visc 1050	50 ml
	16	2-9L000005	Loctite 638	250 ml

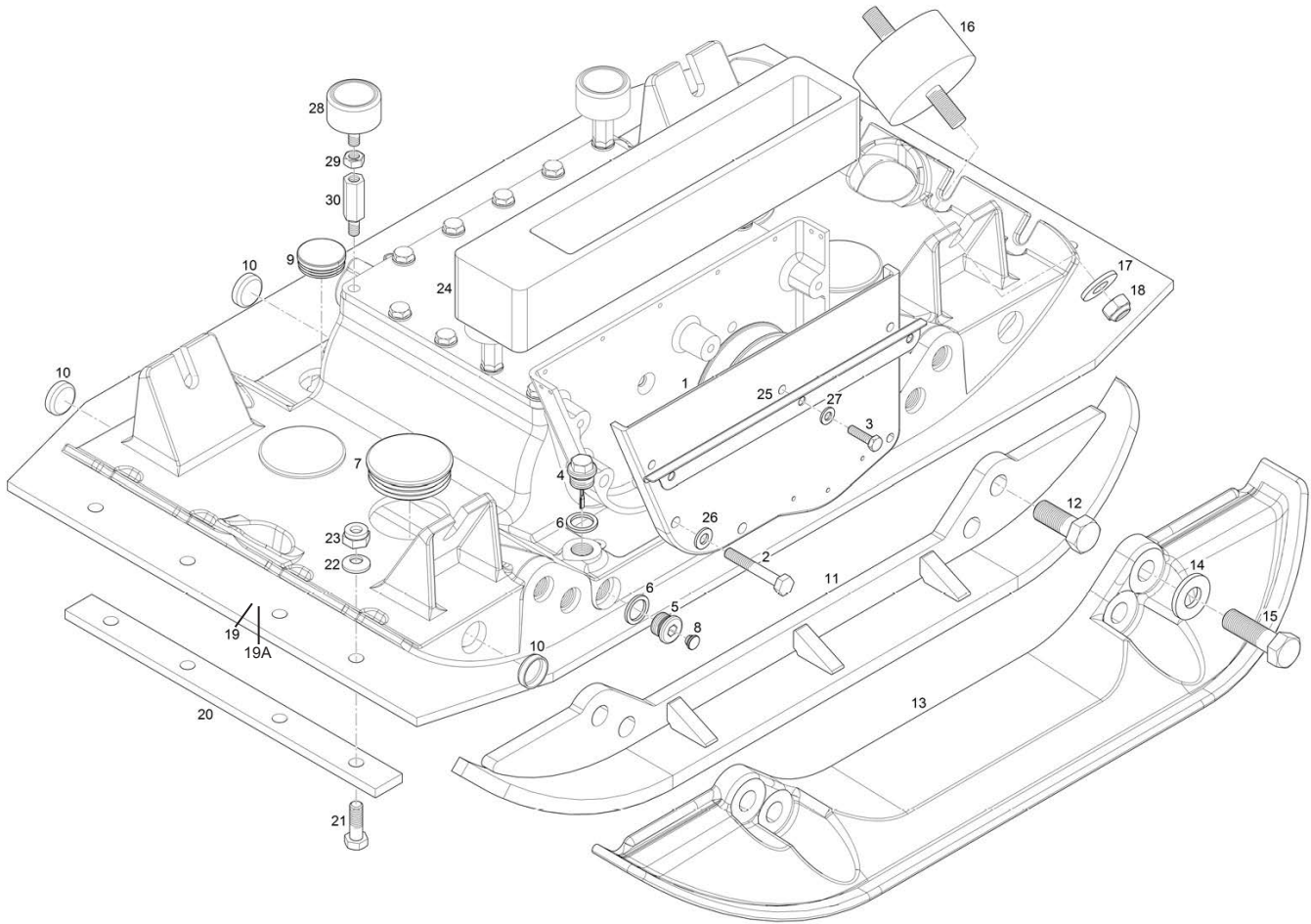
as specified in the individual exploded views

TAB01010.cdr

Conversion: Newton-Meters to in. lb. and ft. lb.

Nm	In. lb.	Ft. lb.
5	44.2	3.6
10	88.5	7.3
15	132	11.0
20	177	14.7
25	221.2	18.4
30	265.5	22.1
35	309.7	25.8
40	354	29.5
45	398.2	33.1
50	442	36.8
55	486.7	40.5
60	531	44.2

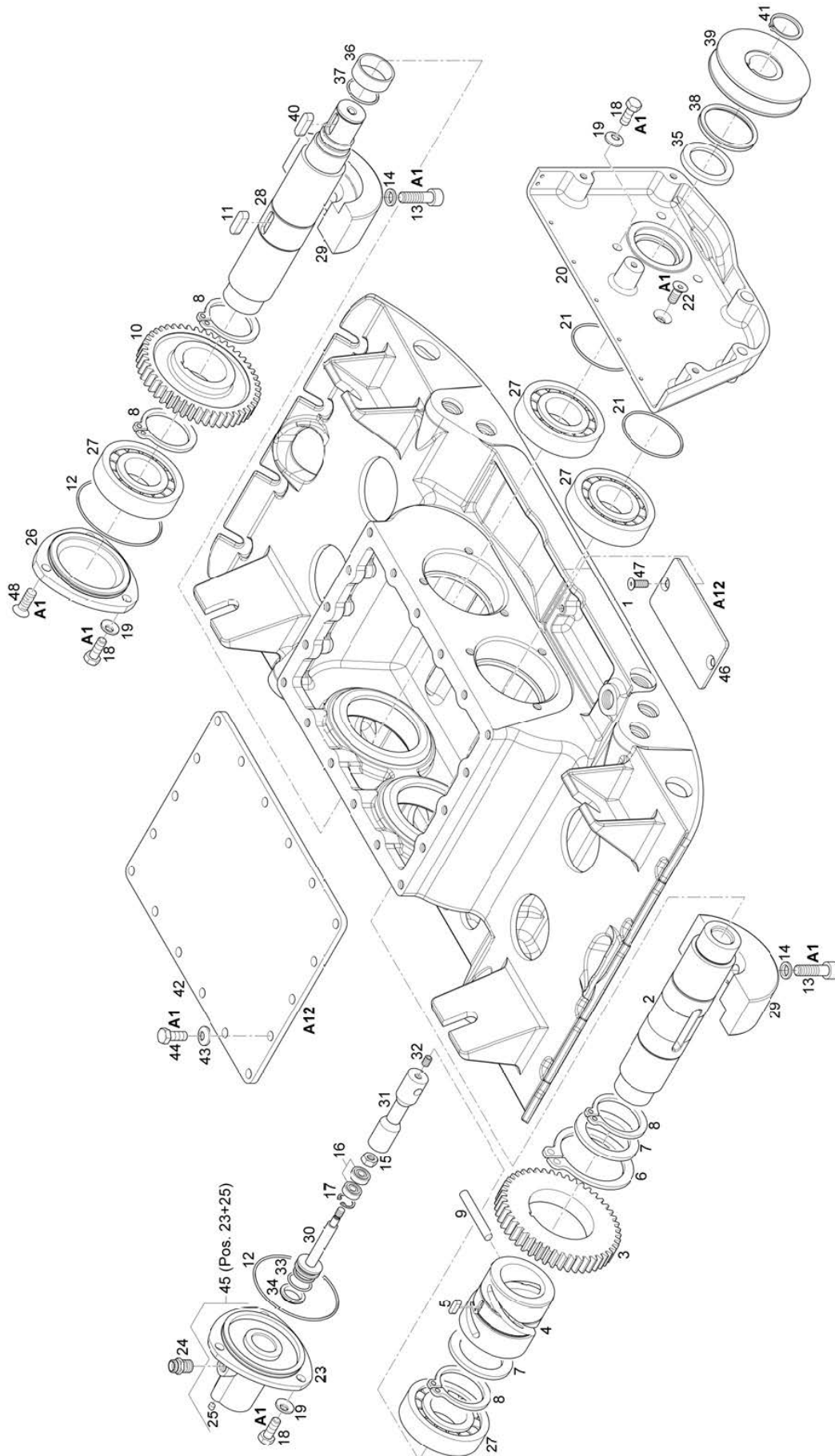
SRP 5960 PARTS



Item #	Part #	Qty	Description
1	75284	1	Cover, Belt Guard
2	75714	2	Hexagon Head Cap Screw
3	75729	4	Hexagon Head Cap Screw
4	75310	1	Oil Measuring Rod
5	75671	1	Screw Plug
6	75456	2	Joint Washer
7	75654	4	Plastic Plug
8	75651	1	Plastic Plug
9	75656	3	Plastic Plug
10	75556	6	Cover Lid
11	75281	2	Mounting Bracket
12	75741	8	Hexagon Head Cap Screw
13	75271	2	Mounting Bracket
14	75534	8	Conical Spring Washer
15	75720	8	Hexagon Head Cap Screw
16	75082	4	Rubber Buffer
17	75529	4	Conical Spring Washer

Item #	Part #	Qty	Description
18	75757	4	Hexagon Nut
19	75213	1	Plate 600mm/23.62 in.
19A	75214	1	Plate 750mm/29.53 in.
20	75212	2	Flat Steel
21	75717	6	Hexagon Head Cap Screw
22	75528	6	Conical Spring Washer
23	75755	6	Hexagon Nut
24	75286	1	Packing, V-Belt Guard
25	75287	1	Guide Rail, V-Belt Guard
26	75527	2	Lock Washer
27	75924	4	Lock Washer
28	75922	4	Buffer Stop
29	75937	4	Hexagon Nut
30	75915	4	Spacer Bolt
A01	75887	1	Vulkollan Plate Assy.23.6in (Includes items 19 thru 23)
A02	75083	1	Vulkollan Plate Assy.29.5in (Includes items 19 thru 23)

SRP 5960 PARTS

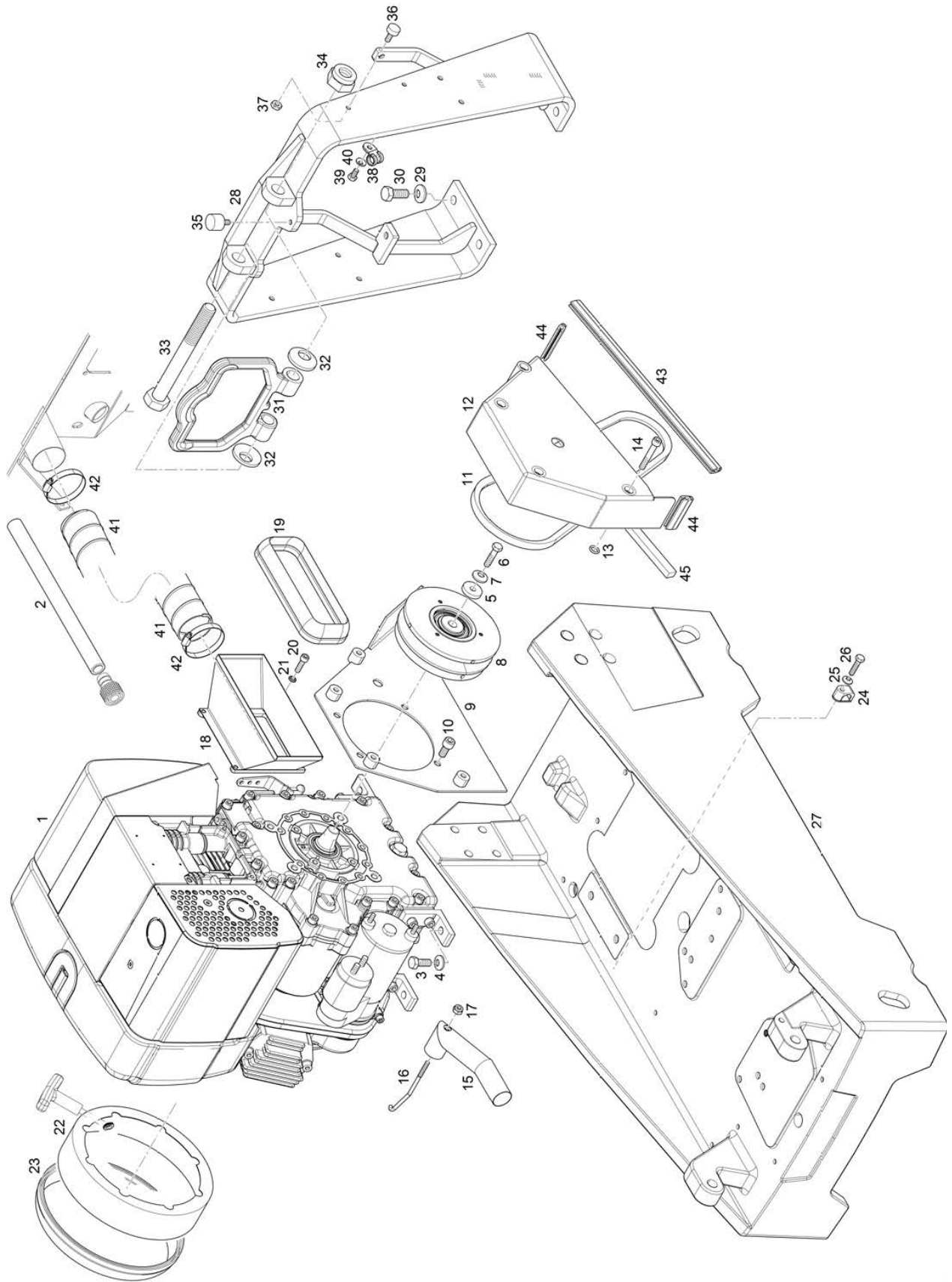


SRP 5960 PARTS

Item #	Part #	Qty	Description
1	75277	1	Base Plate
2	75273	1	Exciter Shaft
3	75311	1	Gear
4	75272	1	Adjusting Wheel
5	75477	1	Key, Hardened
6	75506	1	Retaining Ring
7	75408	2	Axial Bearing Washer
8	75500	4	Retaining Ring
9	75538	1	Cylindrical Pin
10	75239	1	Gear
11	75478	1	Key
12	75430	2	O-Ring
13	75699	4	Socket Head Cap Screw
14	75523	4	Lock Washer
15	75753	1	Hexagon Nut
16	75398	2	Deep Groove Ball Bearing
17	75491	1	Retaining Ring
18	75733	8	Hexagon Head Cap Screw
19	75527	8	Lock Washer
20	75285	1	V-Belt Guard
21	75435	2	O-Ring
22	75765	1	Countersunk Screw
23	75244	1	Switch Cover
24	75557	1	Male Stud Standpipe
25	75561	1	Sealing Plug

Item #	Part #	Qty	Description
26	75309	1	Bearing Cover
27	75407	4	Cylindrical Roller Bearing
28	75282	1	Exciter Shaft
29	75914	4	Exciter Weight
30	75241	1	Piston
31	75240	1	Guide Piston
32	75783	1	Threaded Pin
33	75431	1	O-Ring
34	75448	1	Piston Packing
35	75418	1	Shaft Sealing Ring
36	75414	1	Internal Ring
37	75432	1	O-Ring
38	75444	1	V-Ring
39	75283	1	V-Belt Pulley
40	75480	1	Key
41	75497	1	Retaining Ring
42	75279	1	Cover
43	75527	14	Lock Washer
44	75731	14	Hexagon Head Cap Screw
45	75243	1	Switch Cover Cpl.
46	75280	1	Sheet Plate
47	75763	2	Countersunk Screw
48	75766	1	Countersunk Screw
A03	75278	1	Base Plate Assembly

SRP 5960 PARTS

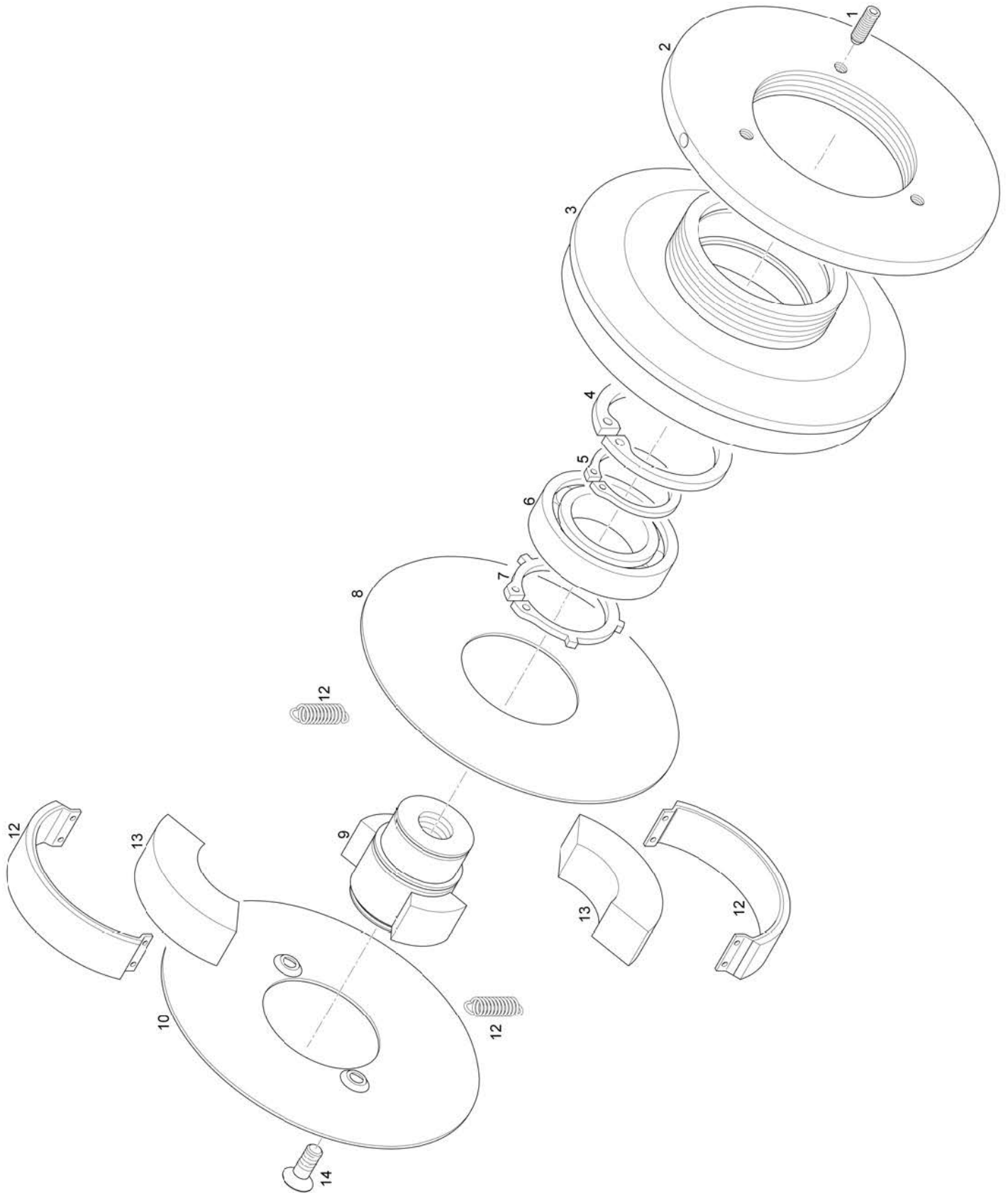


SRP 5960 PARTS

Item #	Part #	Qty	Description
1	75629	1	Diesel Engine
2	75267	1	Hose
3	75733	4	Hexagonal Head Cap Screw
4	75530	4	Conical Spring Washer
5	75316	1	Washer
6	75934	1	Hexagonal Head Cap Screw
7	75531	1	Conical Spring Washer
8	75581	1	Centrifugal Clutch
9	75292	1	V-Belt Guard
10	75686	4	Socket Head Cap Screw
11	75921	1	V-Belt
12	75293	1	V-Belt Guard
13	75433	4	O-Ring
14	75683	4	Socket Head Cap Screw
15	75296	1	Exhaust Elbow
16	75269	1	Hook Screw
17	75858	1	Hexagon Nut
18	75297	1	Air Duct
19	75475	1	Profile
20	75674	2	Socket Head Cap Screw
21	75520	4	Lock Washer
22	75298	1	Air Duct
23	75474	1	Profile

Item #	Part #	Qty	Description
24	75928	1	Light Construction Clip
25	75923	1	Washer
26	75935	1	Hexagonal Head Cap Screw
27	75916	1	Upper Part
28	75291	1	Transport Bracket
29	75528	4	Conical Spring Washer
30	75737	4	Hexagonal Head Cap Screw
31	75383	1	Lifting Eye
32	75535	2	Plate Spring
33	75721	1	Hexagonal Head Cap Screw
34	75758	1	Hexagon Nut
35	75467	1	Buffer Stop
36	75470	2	Buffer Stop
37	75747	3	Hexagon Nut
38	75543	1	Pipe Retaining Clip
39	75723	1	Hexagonal Head Cap Screw
40	75533	1	Conical Spring Washer
41	75578	1	Hose
42	75555	2	Clamping Piece
43	75386	1	Rubber Profile
44	75387	2	Rubber Profile
45	75388	1	Rubber Profile

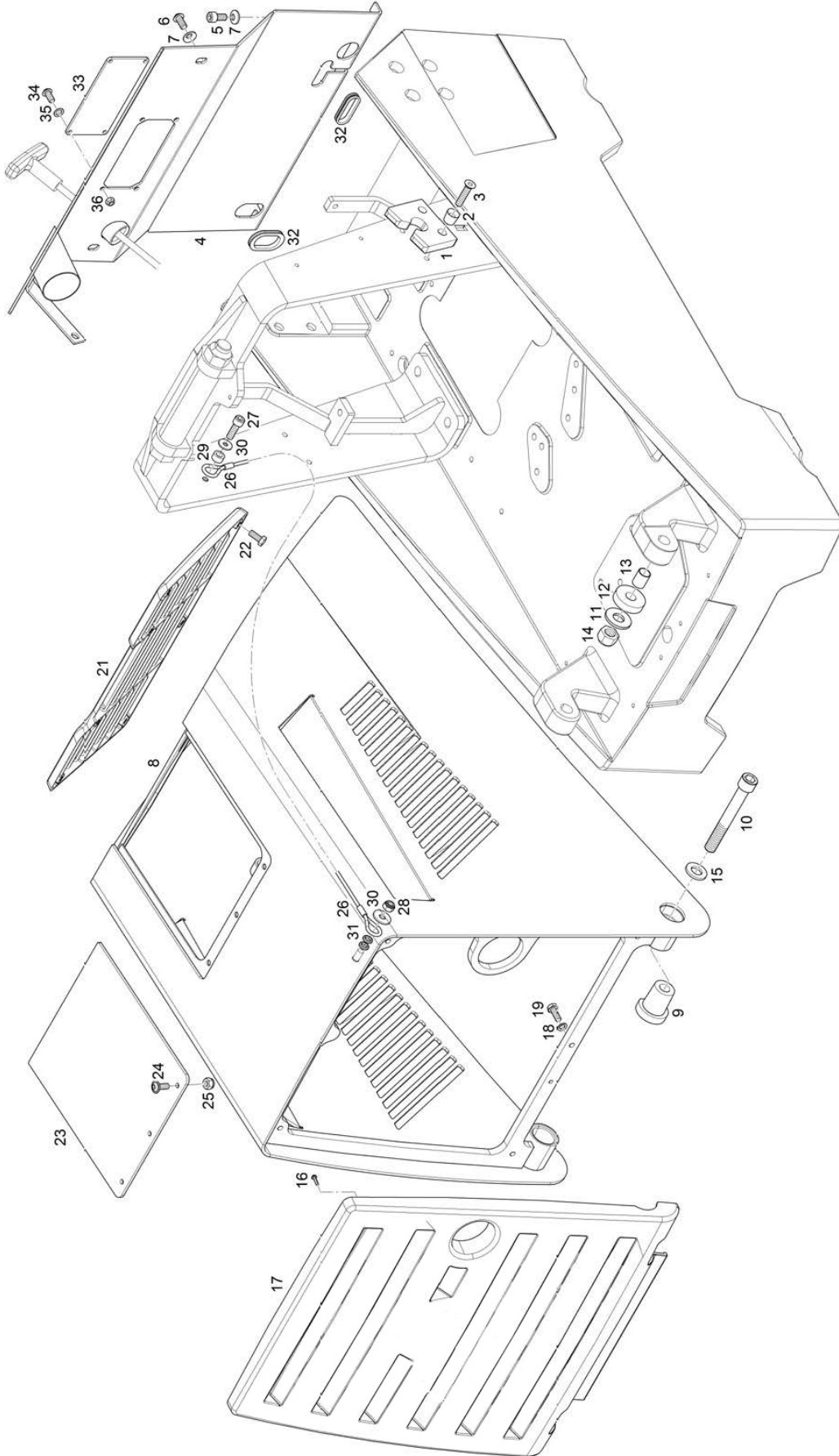
SRP 5960 PARTS



SRP 5960 PARTS

Item No.	Part No.	Qty	Description
1	75704	3	Threaded Pin
2	75590	1	Belt Pulley
3	75588	1	Housing
4	75485	1	Retaining Ring
5	75497	1	Retaining Ring
6	75396	1	Deep Groove Ball Bearing
7	75503	1	Retaining Ring
8	75602	1	Cover Disc
9	75589	1	Hub
10	75930	1	Cover Disc
12	75932	1	Repairing Set
13	75601	2	Centrifugal Weight
14	75768	2	Countersunk Screw

SRP 5960 PARTS

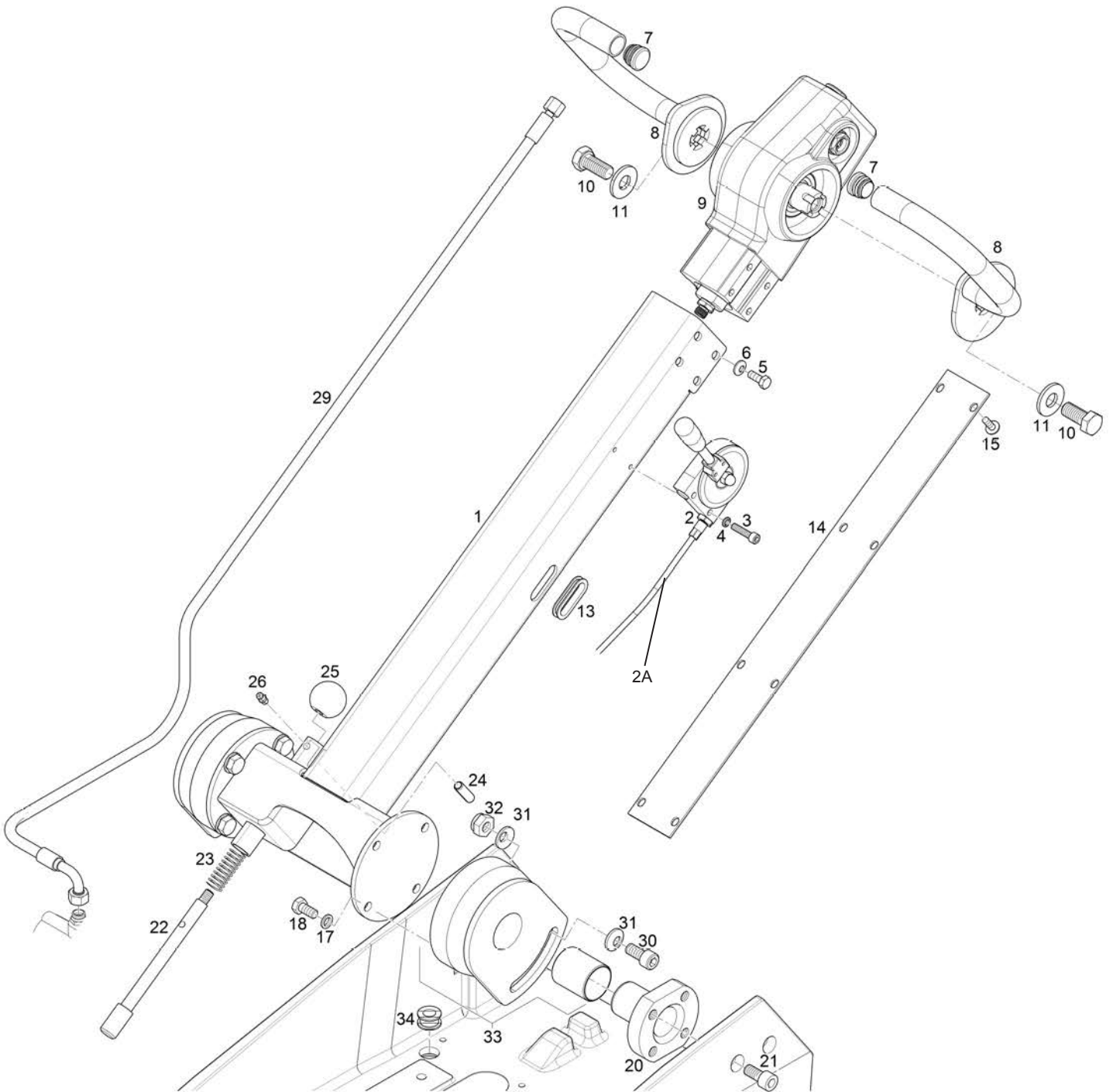


SRP 5960 PARTS

Item #	Part #	Qty	Description
1	75288	2	Clamp
2	75294	4	Tension Sleeve
3	75764	4	Countersunk Screw
4	75299	1	Separation Sheet
5	75679	4	Socket Head Cap Screw
6	75776	2	Button Socket Head Screw
7	75531	6	Conical Spring Washer
8	75302	1	Hood
9	75313	2	Spring Element
10	75692	2	Socket Head Cap Screw
11	75532	2	Conical Spring Washer
12	75295	2	Washer
13	75409	2	Bush
14	75756	2	Hexagon Nut
15	75507	2	Washer
17	75301	1	Panel
18	75520	5	Lock Washer
19	75724	5	Hexagonal Head Cap Screw
21	75289	1	Panel
22	75722	7	Hexagonal Head Cap Screw
23	75300	1	Plate

Item #	Part #	Qty	Description
24	75780	3	Button Socket Head Screw
25	75752	3	Hexagon Nut
26	75314	1	Rope
27	75680	1	Socket Head Cap Screw
28	75753	1	Hexagon Nut
29	75308	1	Distance Bush
30	75531	2	Washer
31	75521	2	Lock Washer
32	75547	2	Rubber Bushing
33	75312	1	Sheet Plate
34	75938	4	Button Socket Head Screw
35	75520	4	Lock Washer
36	75752	4	Hexagon Nut

SRP 5960 PARTS

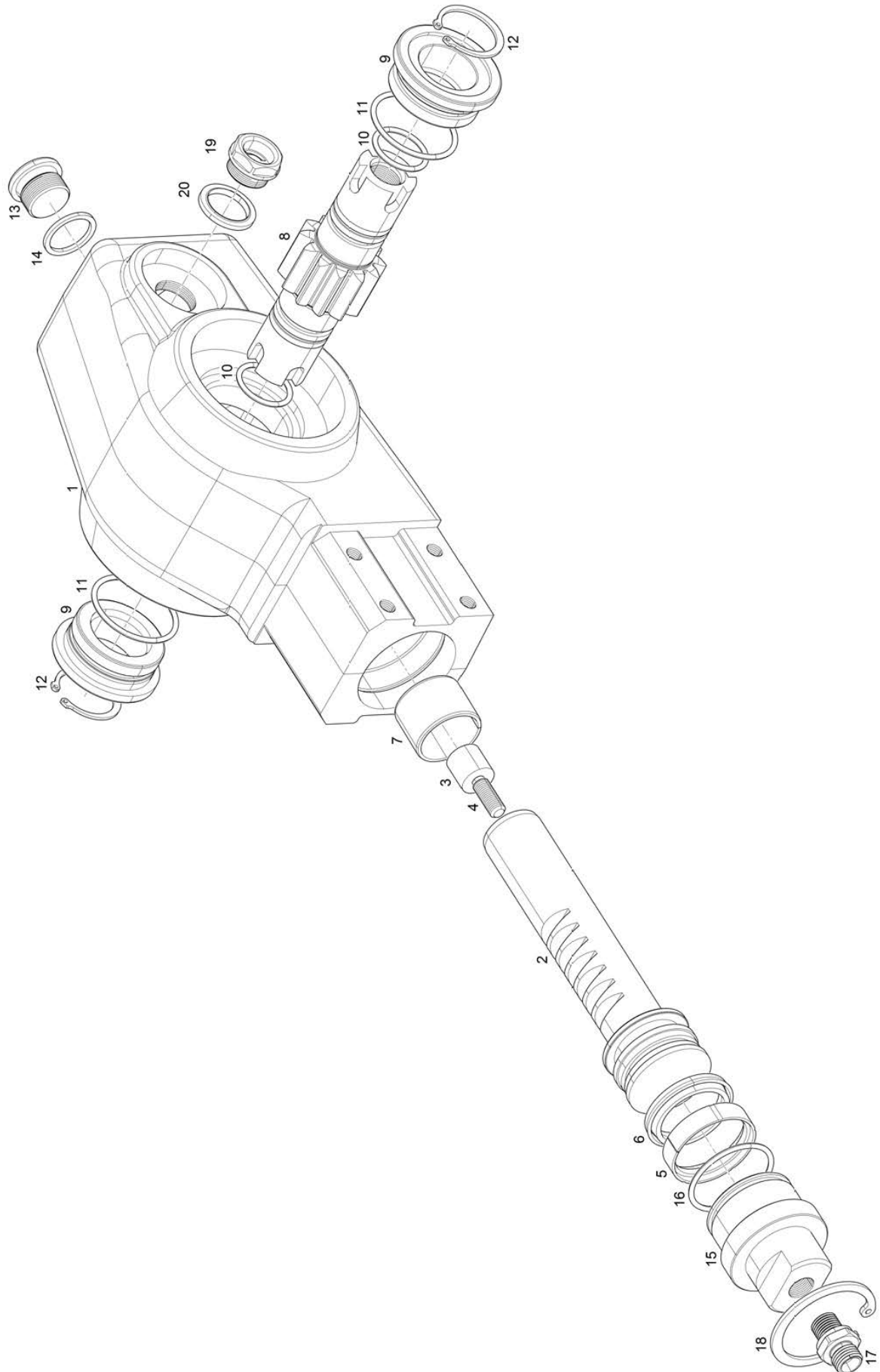


SRP 5960 PARTS

Item #	Part #	Qty	Description
1	75919	1	Drawbar Profile
2	75645	1	Speed Control, Cpl.
2A	75646	1	Throttle Cable
3	75675	2	Socket Head Cap Screw
4	75520	2	Lock Washer
5	75727	8	Hexagon Head Cap Screw
6	75531	8	Conical Spring Washer
7	75652	2	Plug
8	75262	2	Drawbar Grip
9	75234	1	Control valve, assy.
10	75740	2	Hexagon Head Cap Screw
11	75529	2	Conical Spring Washer
13	75547	1	Rubber Bushing
14	75917	1	Panel
15	75779	8	Socket Button Screw
17	75522	8	Lock Washer
18	75936	8	Hexagon Head Cap Screw
20	75912	2	Bearing Stud
21	75933	8	Socket Head Cap Screw

Item #	Part #	Qty	Description
22	75918	1	Bolt
23	75925	1	Pressure Spring
24	75926	1	Spring Pin
25	75927	1	Ball Button
26	75929	1	Lubricating Nipple
29	75911	1	Hydraulic Hose
30	75939	2	Socket Head Cap Screw
31	75528	4	Conical Spring Washer
32	75755	2	Hexagon Nut
33	75913	2	Spring Element, cpl.
34	75920	1	Rubber Bushing

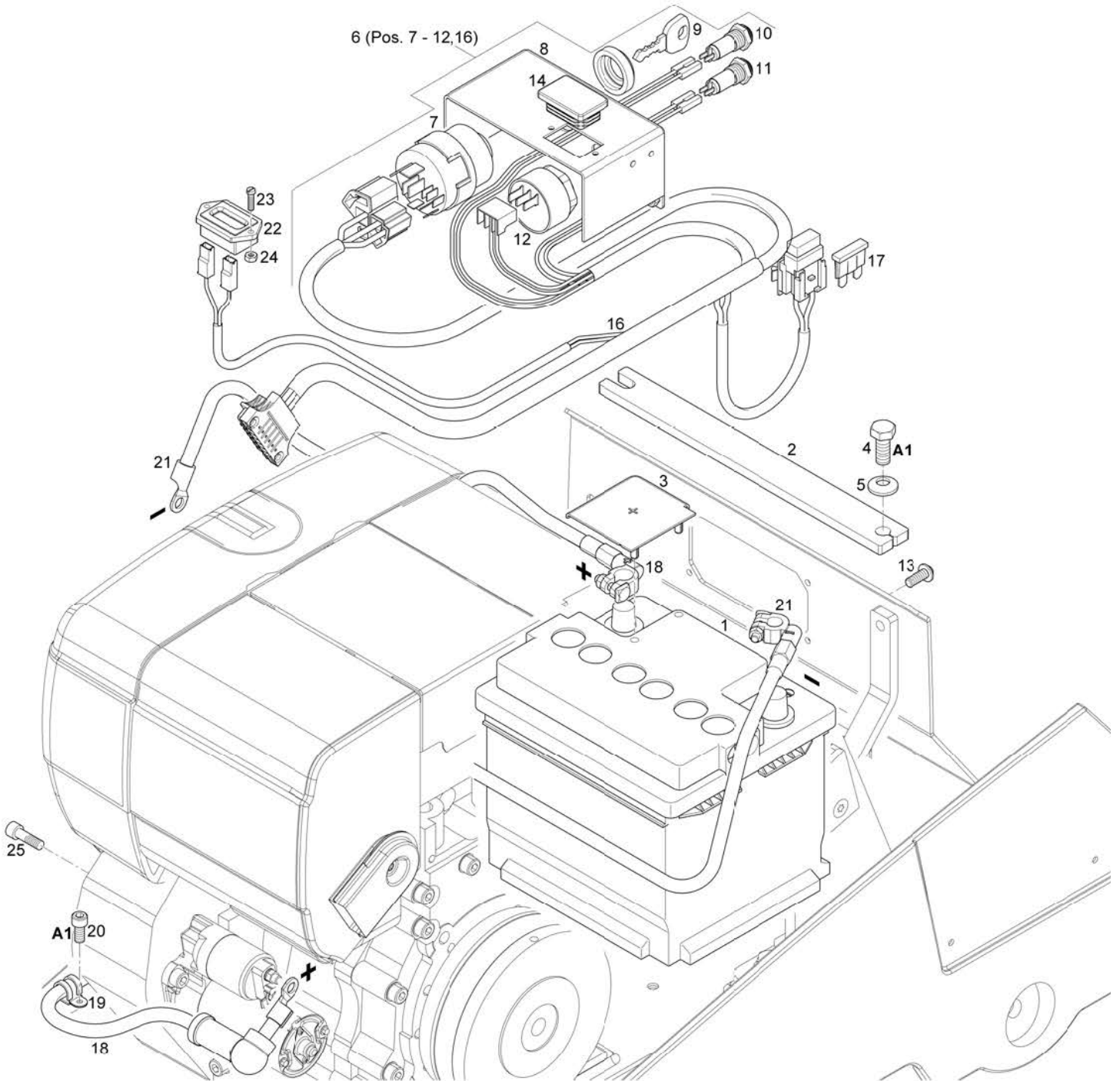
SRP 5960 PARTS



SRP 5960 PARTS

Item No.	Part No.	Qty	Description
1	75256	1	Drawbar valve
2	75258	1	Piston rod
3	75232	1	Pipe spring
4	75705	1	Threaded pin
5	75445	1	Guide ring
6	75449	1	Piston packing
7	75410	1	Bush
8	75263	1	Pinion shaft
9	75259	2	Bush
10	75428	2	O-Ring
11	75423	2	O-Ring
12	75495	2	Retaining ring
13	75671	1	Screw plug
14	75454	1	Joint washer
15	75257	1	Valve cover
16	75423	1	O-Ring
17	75557	1	Male stud standpipe
18	75483	1	Retaining ring
19	75569	1	Oil level indicator
20	75459	1	Joint washer

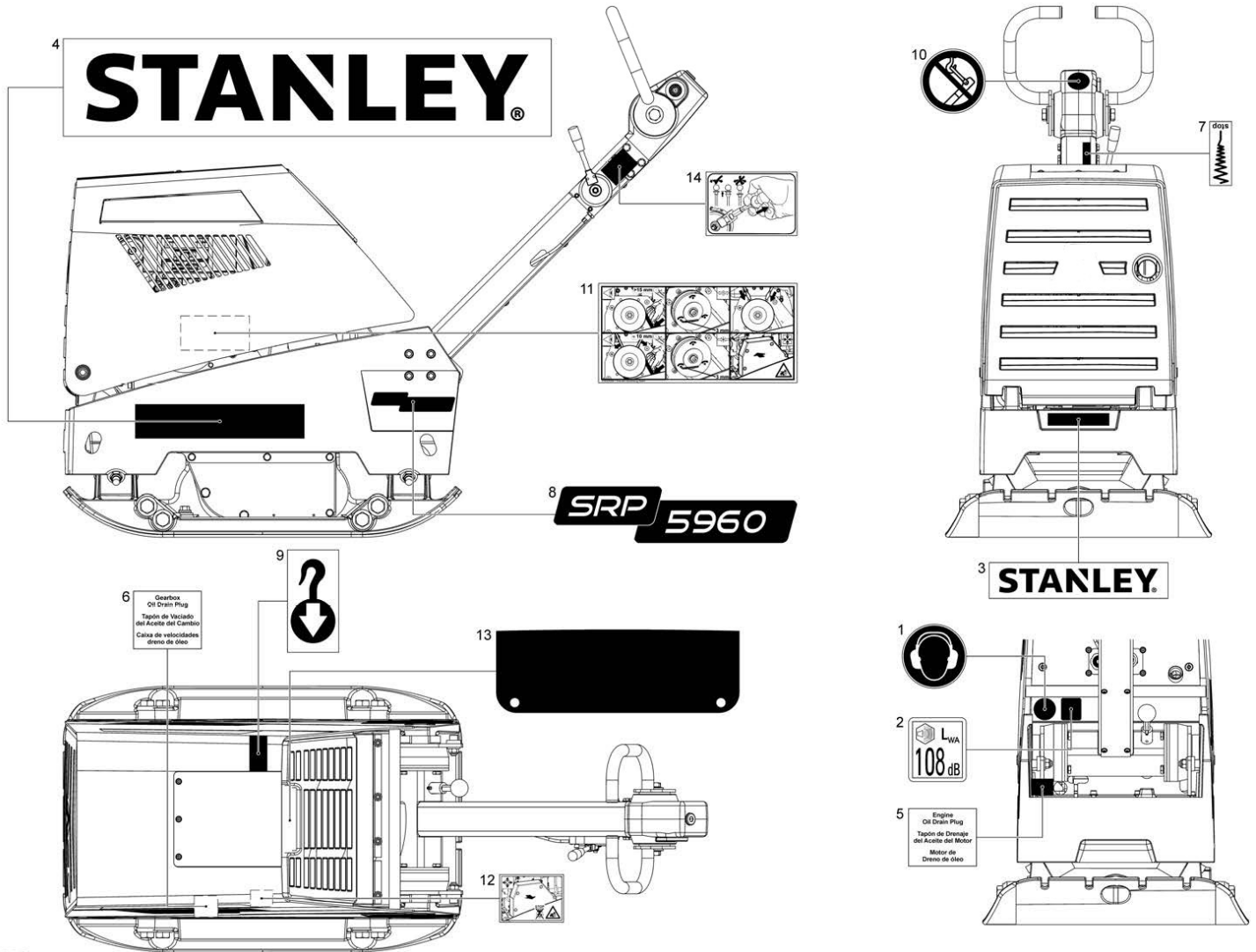
SRP 5960 PARTS



SRP 5960 PARTS

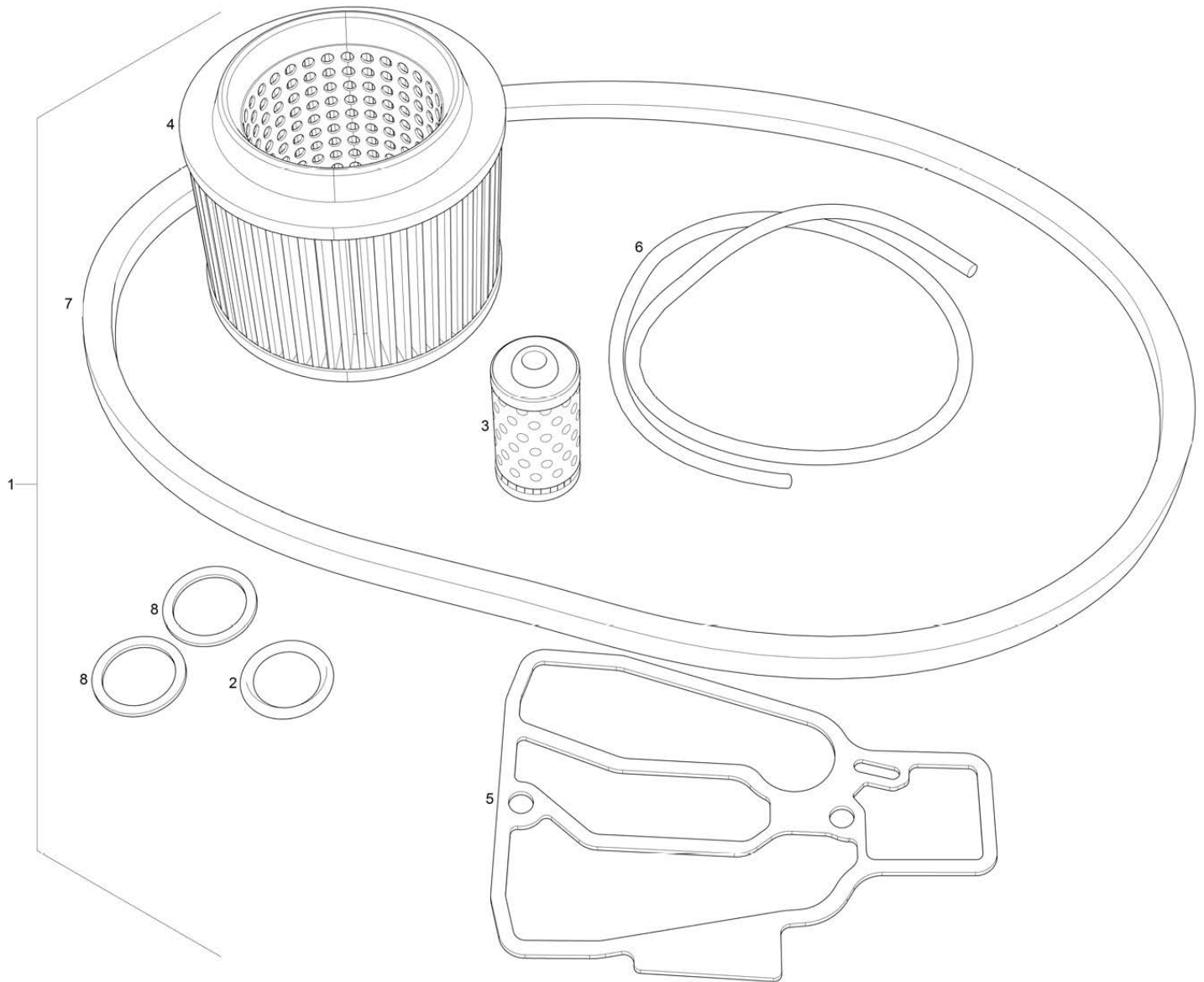
Item No.	Part No.	Qty	Description
1	75665	1	Battery
2	75268	1	Battery Fastener
3	75666	1	Battery Cap
4	75733	2	Hexagon Head Cap Screw
5	75530	2	Conical Spring Washer
6	75305	1	Startpanel, Assy.
7	75668	1	Ignition Switch
8	75290	1	Sheet
9	75667	1	Ignition Key
10	75658	1	Light Emitting Diode, Red
11	75659	1	Light Emitting Diode, Green
12	75660	1	Buzzer
13	75780	4	Socket Button Screw
14	75657	1	Plastic Plug
16	75306	1	Cable Harness
17	75669	1	Fuse
18	75303	1	Battery Cable
19	75544	2	Pipe Retaining Clip
20	75673	1	Socket Head Cap Screw
21	75304	1	Battery Cable
22	75663	1	Operating Hour Meter
23	75785	2	Socket Head Cap Screw
24	75746	2	Hexagon Nut
25	75676	1	Socket Head Cap Screw

SRP 5960 DECALS



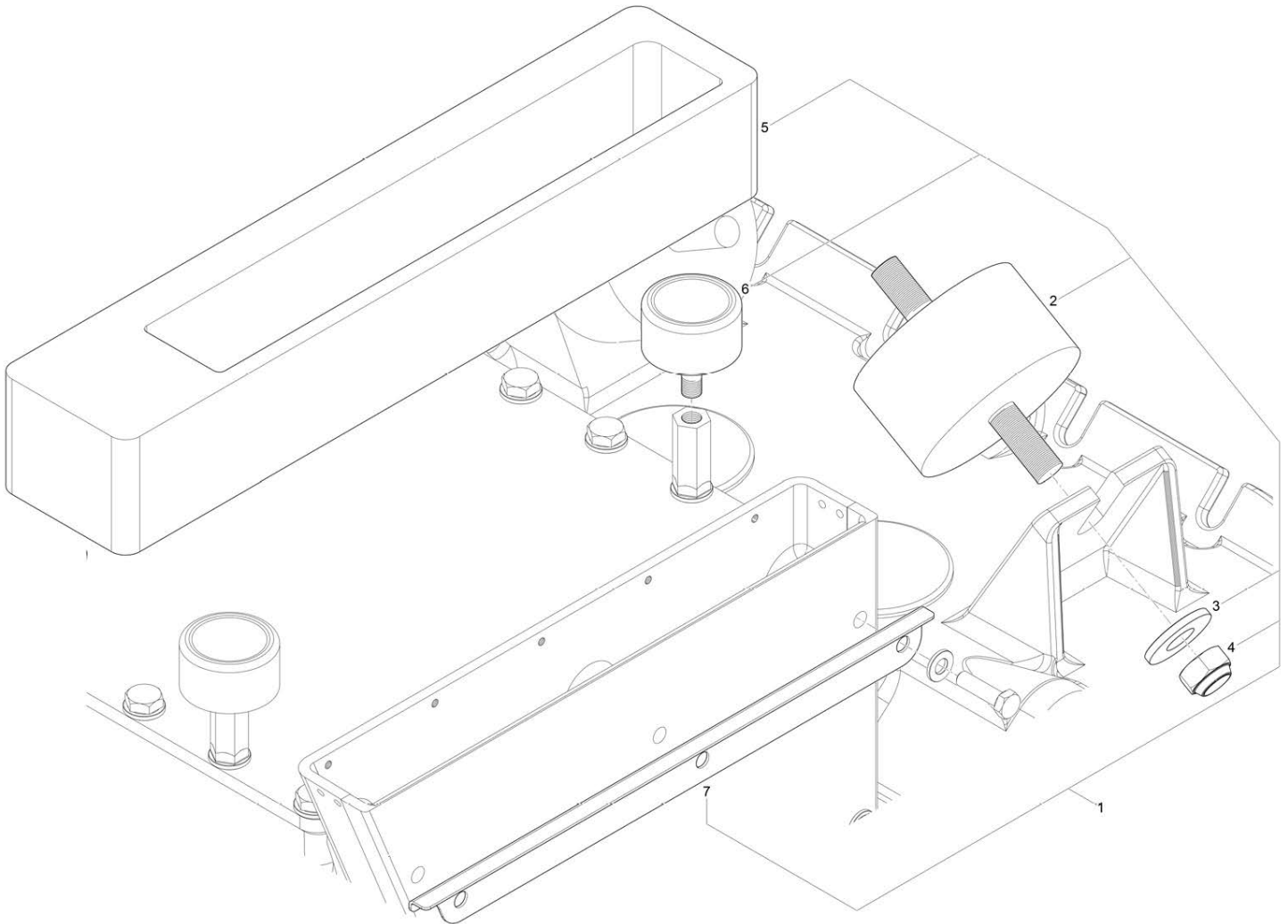
Item No.	Part No.	Qty	Description
1	75103	1	Adhesive Plate
2	75099	1	Adhesive Plate
3	74917	1	Stanley Logo 5.5 in. L
4	74910	2	Stanley Logo, 15x3 in.
5	75909	1	Adhesive Plate
6	75910	1	Adhesive Plate
7	75090	1	Adhesive Plate
8	74908	2	Model Decal
9	75097	1	Adhesive Plate
10	75098	1	Adhesive Plate
11	75094	1	Adhesive Plate
12	75095	1	Adhesive Plate
14	75089	1	Adhesive Plate EPA IV

SRP 5960 MAINTENANCE KIT



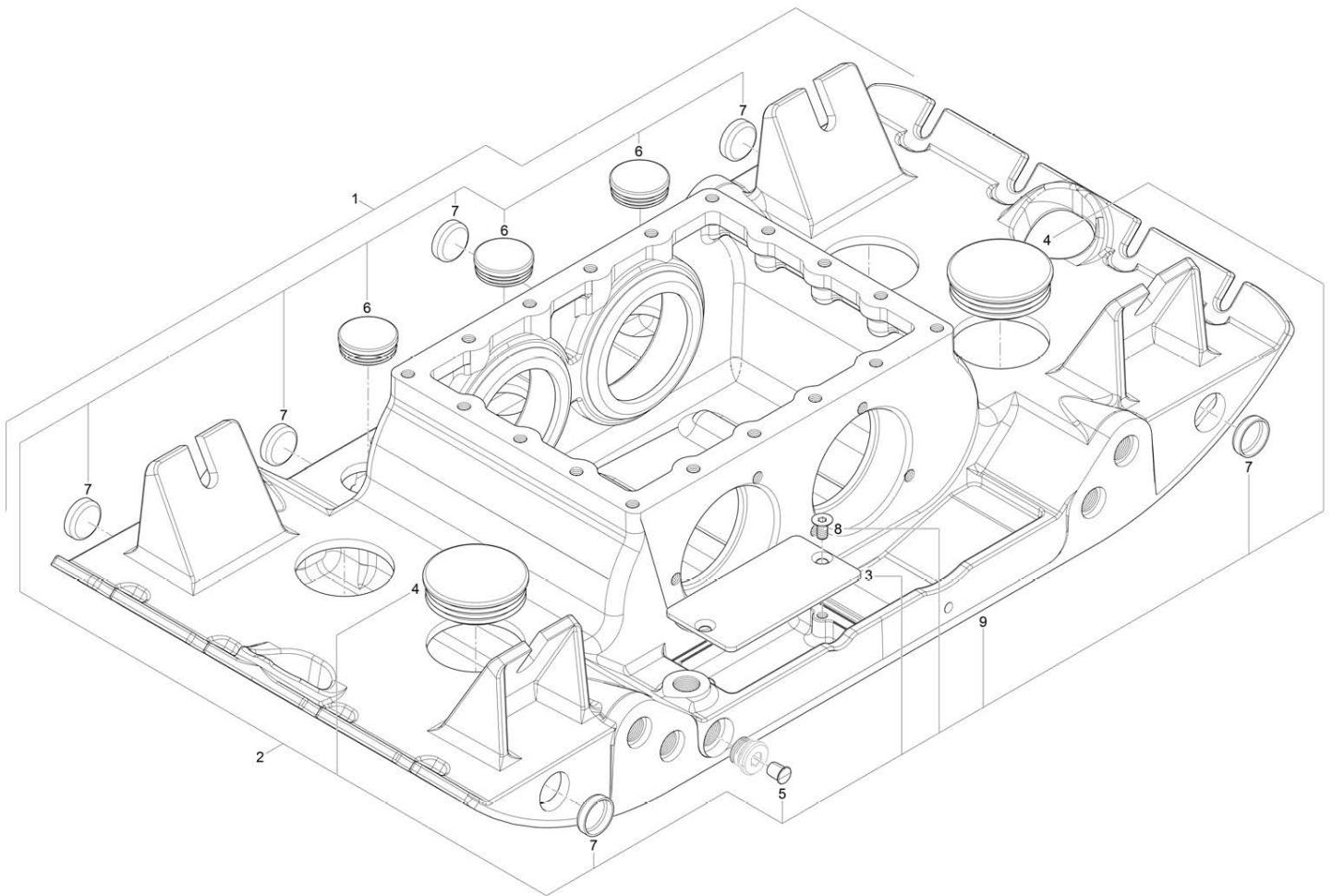
Item No.	Part No.	Qty	Description
1	75940	1	Maintenance Kit
2	75859	1	O-Ring
3	75577	1	Fuel Filter
4	75576	1	Air Filter
5	75857	1	Valve Cover Gasket
6	75856	1	Starter Rope
7	75921	1	V-Belt
8	75456	2	Joint Washer

SRP 5960 WEAR PARTS KIT, RUBBER BUFFER



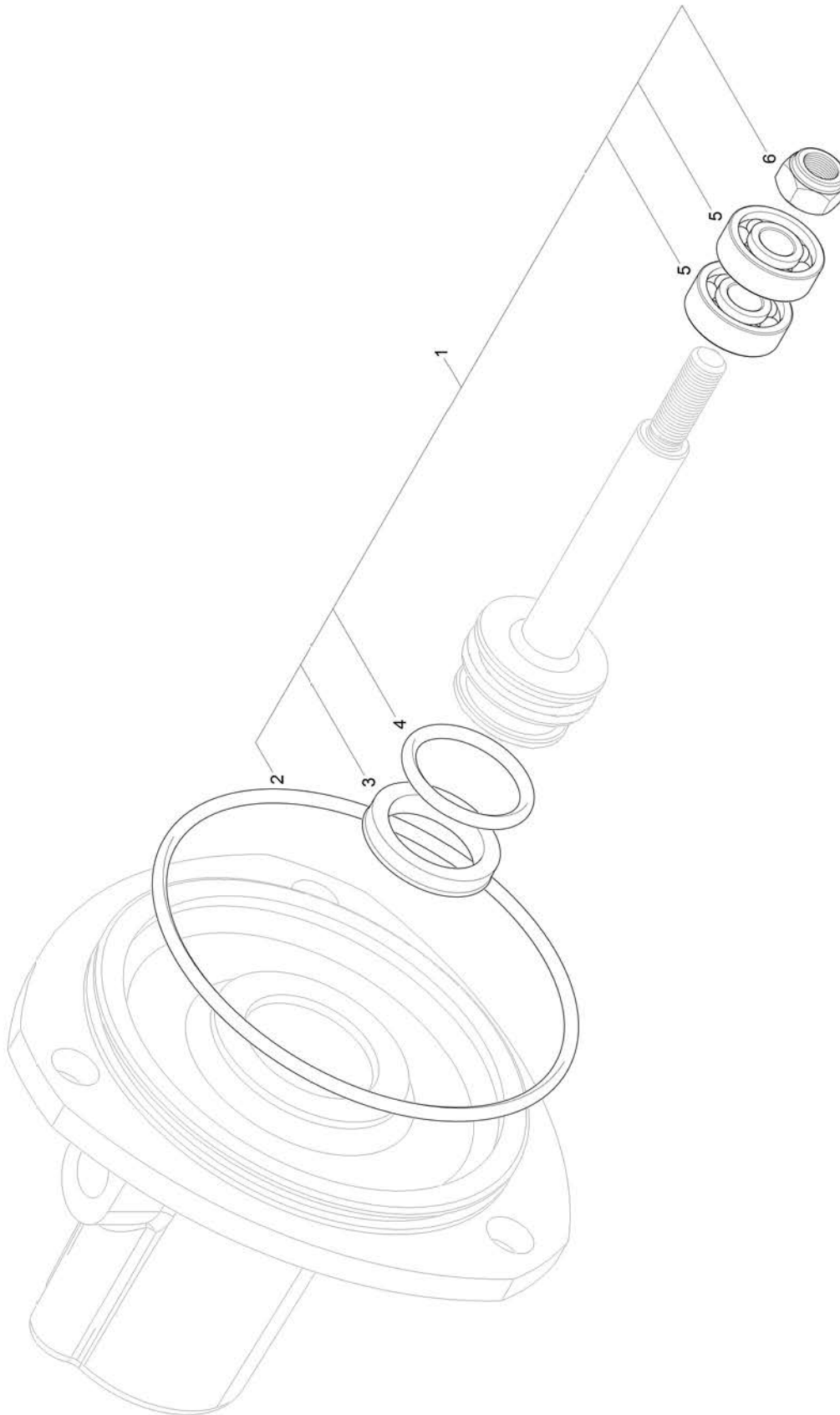
Item No.	Part No.	Qty	Description
1	75941	1	Wear Parts Kit Rubber Buffer
2	75082	4	Rubber Buffer
3	75529	4	Conical Spring Washer
4	75757	4	Hexagon Nut
5	75286	1	Packing, V-Belt Guard
6	75922	4	Rubber Buffer
7	75287	1	Guide Rail, V-Belt Guard

SRP 5960 WEAR PARTS KIT, BASE PLATE



Item No.	Part No.	Qty	Description
1	75853	1	Wear Parts Kit Base Plate
2	75278	1	Base Plate, Assy.
3	75280	1	Sheet Plate
4	75654	4	Closing Plug
5	75648	1	Protection Plug
6	75656	3	Closing Plug
7	75556	6	Cover Lid
8	75763	2	Countersunk Screw
9	75277	1	Base Plate

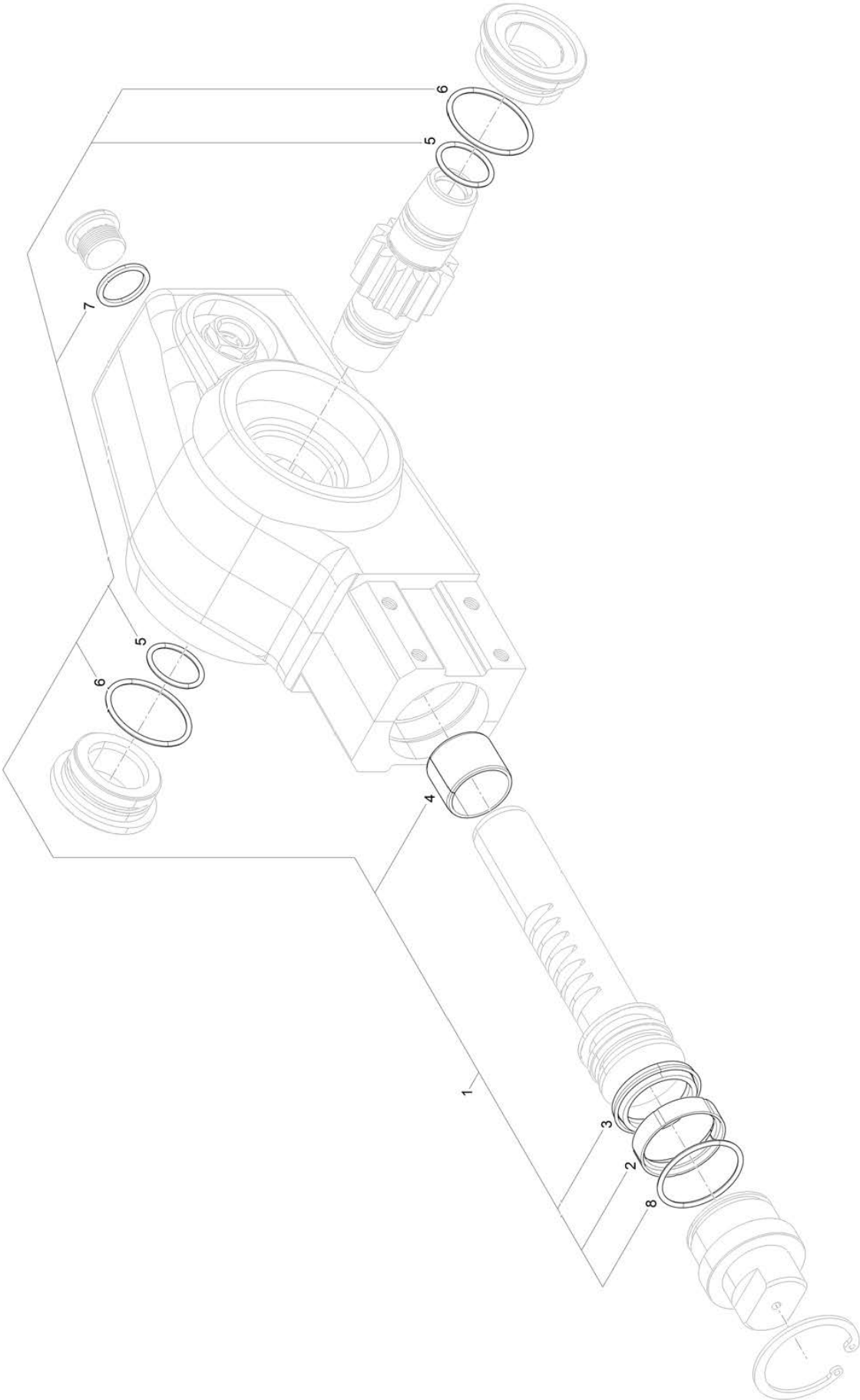
SRP 5960 WEAR PARTS KIT, PISTON



SRP 5960 WEAR PARTS KIT, PISTON

Item No.	Part No.	Qty	Description
1	75849	1	Wear Parts Kit Piston
2	75430	1	O-Ring
3	75448	1	Piston Packing
4	75431	1	O-Ring
5	75398	2	Groove Ball Bearing
6	75771	1	Hexagon Nut

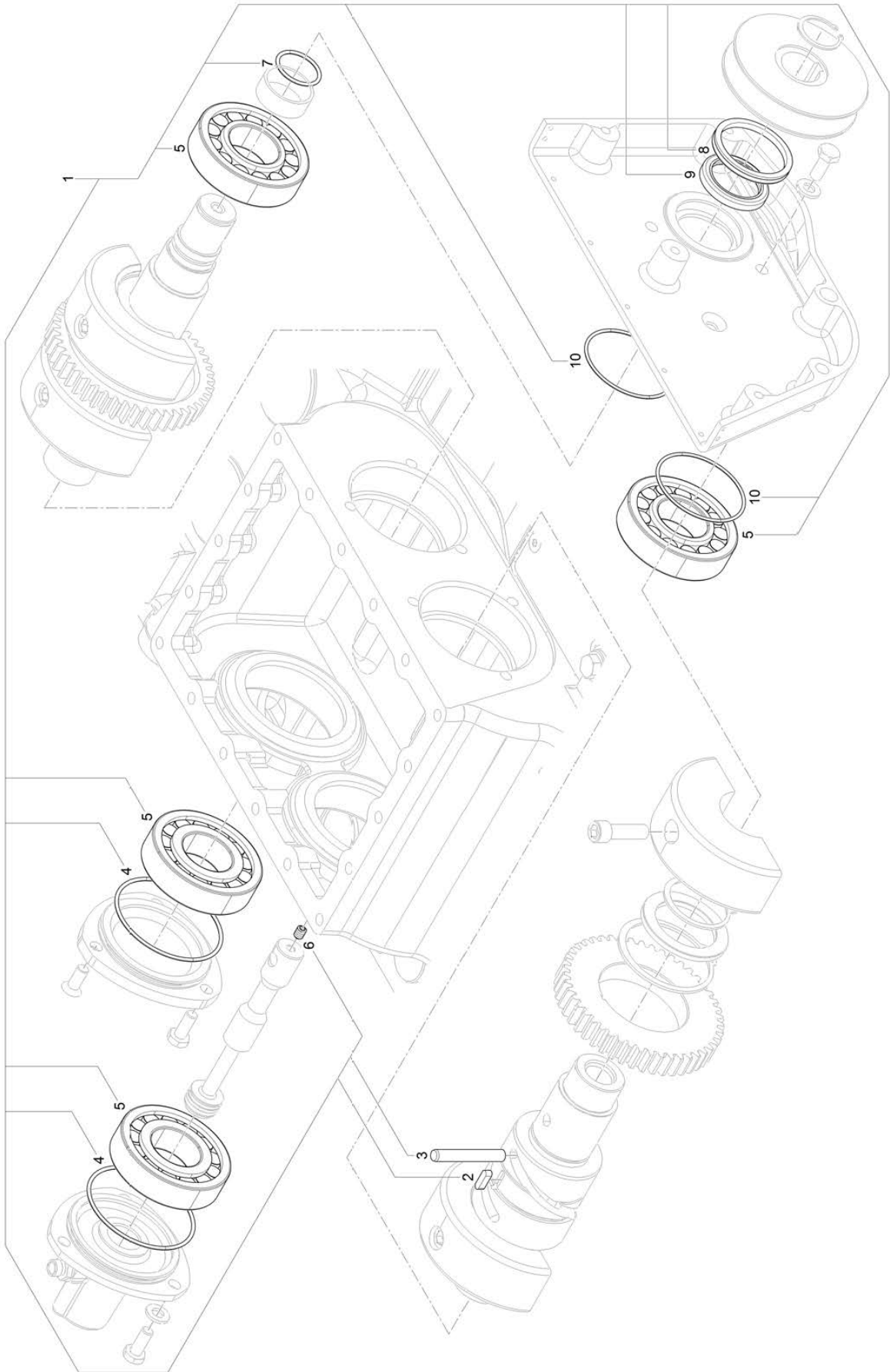
SRP 5960 WEAR PARTS KIT, CONTROL BLOCK



SRP 5960 WEAR PARTS KIT, CONTROL BLOCK

Item No.	Part No.	Qty	Description
1	75848	1	Wear Parts Kit Control Block
2	75445	1	Guide Ring
3	75449	1	Piston Packing
4	75410	1	Bush
5	75428	2	O-Ring
6	75423	2	O-Ring
7	75454	1	Joint Washer
8	75423	1	O-Ring

SRP 5960 REPAIR KIT, EXCITER



SRP 5960 REPAIR KIT, EXCITER

Item No.	Part No.	Qty	Description
1	75851	1	Repair Kit Exciter
2	75477	1	Key, Hardened
3	75538	1	Cylindrical Pin
4	75430	3	O-Ring
5	75407	4	Cylindrical Roller Bearing
6	75783	1	Threaded Pin
7	75432	1	O-Ring
8	75444	1	V-Ring
9	75418	1	Shaft Sealing Ring
10	75435	2	O-Ring

STANLEY®

Stanley Hydraulic Tools
3810 SE Naef Road
Milwaukie, Oregon 97267-5698 USA
(503) 659-5660 / Fax (503) 652-1780
www.stanleyhydraulics.com