

STANLEY®

SRP 6570 HYDROSTATIC REVERSIBLE PLATE



SRP 6570

PARTS MANUAL



© 2015 Stanley Black & Decker, Inc.
New Britain, CT 06053
U.S.A.
76427 5/2017 Ver 3

TABLE OF CONTENTS

MACHINE INFORMATION	3
ADHESIVES	4
SRP 6570 PARTS.....	5 - 23
DECAL INFORMATION.....	24
MAINTENANCE KIT.....	25
WEAR PARTS KIT, RUBBER BUFFER	26
WEAR PARTS KIT, RUBBER BUFFER	27
WEAR PARTS KIT, BASE PLATE	28
WEAR PARTS KIT, PISTON.....	29
WEAR PARTS KIT, EXCITER	30 - 31
REPLACEMENT PARTS, EXCITER	32 - 33

IMPORTANT

To fill out a Product Warranty Validation form, and for information on your warranty, visit Stanleyhydraulics.com and select the Company tab, Warranty.
(NOTE: The warranty Validation record must be submitted to validate the warranty).

SERVICING: This manual contains spare parts. Stanley Hydraulic Tools recommends that servicing this machine, other than routine maintenance, must be performed by an authorized and certified dealer. Please read the following warning.

⚠ WARNING

SERIOUS INJURY OR DEATH COULD RESULT FROM THE IMPROPER REPAIR OR SERVICE OF THIS TOOL.

REPAIRS AND / OR SERVICE TO THIS TOOL MUST ONLY BE DONE BY AN AUTHORIZED AND CERTIFIED DEALER.

For the nearest authorized and certified dealer, call Stanley Hydraulic Tools at the number listed on the back of this manual and ask for a Customer Service Representative.

MACHINE INFORMATION



Important!

In order to enable spare parts orders to be processed quickly and correctly, we require the following data:

PLEASE ENTER (DATA ON MACHINE TYPE PLATE)

1. MACHINE TYPE: _____
2. MACHINE NO.: _____
3. MOTOR -TYPE: _____
4. Part description, part number and quantity.
5. Dispatch mode (by post, express or air mail delivery, forwarding agent or distributor.
6. Address.

Only use original spare parts recommended by Stanley and tested by us; no warranty can be given if original spare parts are not used.

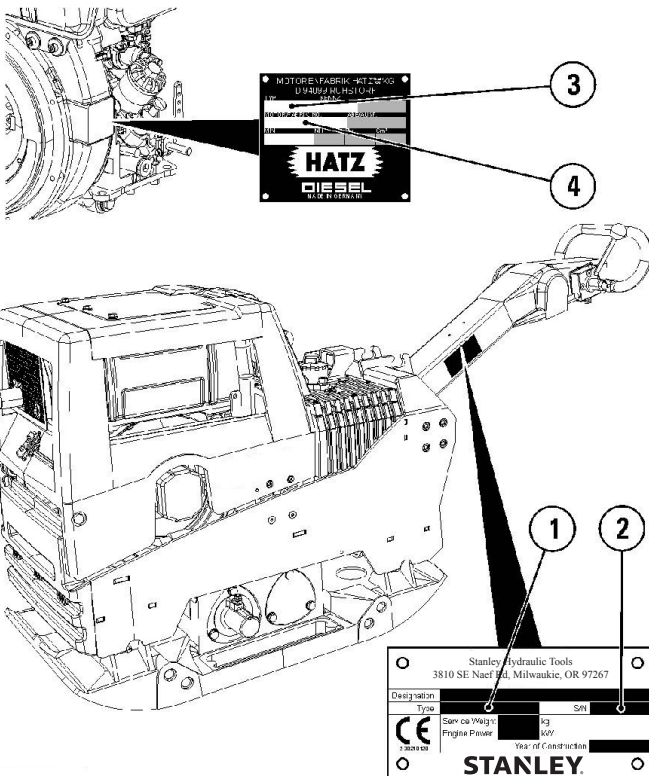
In case of warranty claims, send in the damaged part and notify your authorised dealer or our service department prior to repairing the damage (fax: 503-652-1780, Ph: 503-659-5660) www.stanleyhydraulics.com.

In case of warranty claims for combustion engines, please contact the engine manufacturer or one of his authorised repair workshops to repair the damage or process the warranty claim.

Because of continuous development of our products, the shown illustrations are non-committal.

To order spare parts, please contact your local dealer or write/phone to:

Stanley Hydraulic Tools
3810 SE Naef Rd
Milwaukie, OR 97267
Ph: 503-659-5660
Fax: 503-652-1780



ADHESIVES

Sealing- and bonding adhesives

A1	1	2-9L0 00 002	Loctite 262	250 ml
A2	2	2-806 05 260	Loctite 5205	300 ml
A3	3	2-806 02 010	Shell Alvania R3	1.0 kg
A4	4	2-9IH 00 001	Epple 22	250 ml
A5	5	2-9K0 00 020	Klüber 46 MR401	0.75 kg
A6	6	2-806 05 060	Atmosit Compact	75 ml
A7	7	2-806 05 200	Sico Met 50	20 g
A8	8	2-806 05 170	Omni Visc 1002	
A9	9	2-806 02 050	Shell Alvania EP1	600 g
A10	10	2-806 05 310	Beta Link K1	
A11	11	2-806 03 017	Metaflux	
A12	12	2-806 05 290	Loctite 5910	300 ml
A13	13	2-9L0 00 001	Loctite Cleaner 7063	450 ml
A14	14	2-9L0 00 006	Loctite 221	50 ml
A15	15	2-806 05 090	Omni Visc 1050	50 ml
	16	2-9L000005	Loctite 638	250 ml

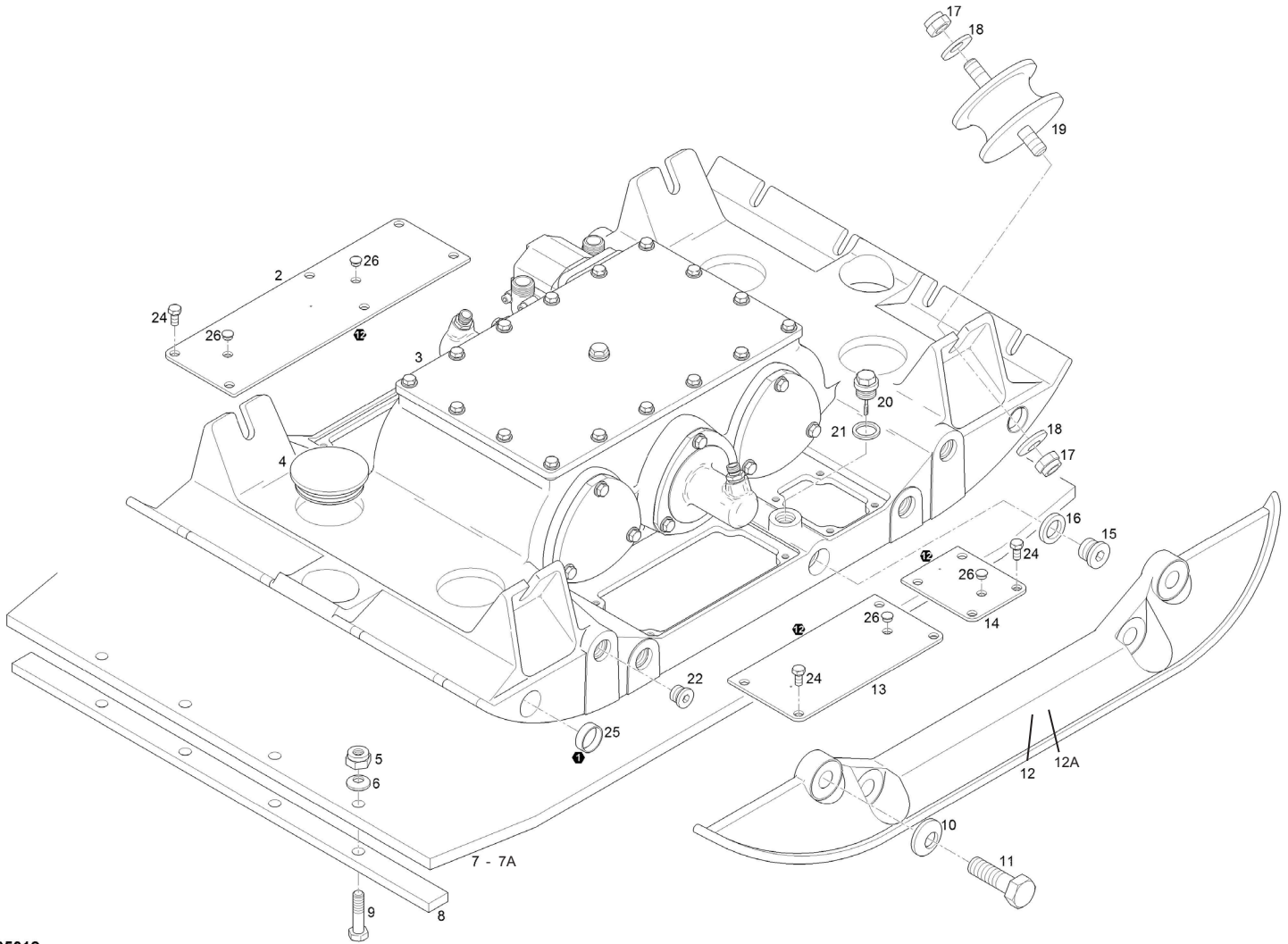
as specified in the individual exploded views

TAB01010.cdr

Conversion: Newton-Meters to in. lb. and ft. lb.

Nm	In. lb.	Ft. lb.
5	44.2	3.6
10	88.5	7.3
15	132	11.0
20	177	14.7
25	221.2	18.4
30	265.5	22.1
35	309.7	25.8
40	354	29.5
45	398.2	33.1
50	442	36.8
55	486.7	40.5
60	531	44.2

SRP 6570 PARTS

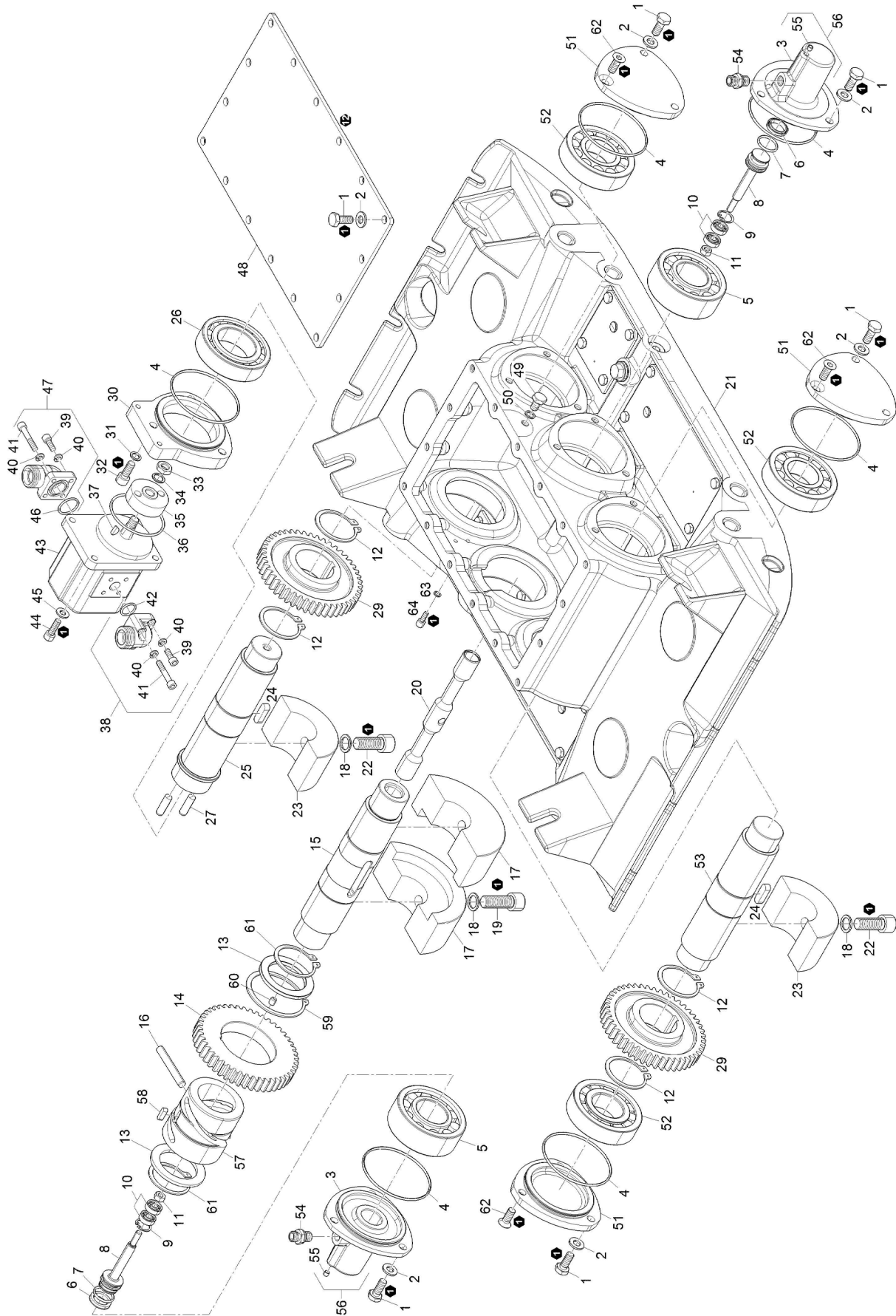


35012

Item #	Part #	Qty	Description
2	75968	1	Cover
3	75967	1	Exciter+Base Plate Assy.
4	75654	4	Plastic Plug
5	75755	8	Hexagonal Head Cap Screw
6	75528	8	Conical Spring Washer
7	75960	1	Plate (Mat) 850mm/33.4 in.
7A	75961	1	Plate (Mat) 700mm/27.5 in.
8	75962	2	Flat Steel
9	75717	8	Hexagonal Head Cap Screw
10	75534	8	Conical Spring Washer
11	75720	8	Hexagonal Head Cap Screw
12	75972	1	Mounting Bracket (Extension plate 7.5cm / 3 in.) Standard
12A	75973	1	Mounting Bracket (Extension plate 15cm / 6 in.) Accessory
13	75970	1	Cover
14	75971	1	Cover

Item #	Part #	Qty	Description
15	75671	1	Screw Plug
16	75456	1	Joint Washer
17	75757	8	Hexagon Nut
18	75529	8	Conical Spring Washer
19	76209	4	Rubber Buffer
20	75310	1	Oil Measuring Rod
21	76206	1	Joint Washer
22	76280	8	Screw Plug
24	75725	14	Hexagonal Head Cap Screw
25	75556	2	Cover Lid
26	75648	4	Plastic Plug

SRP 6570 PARTS

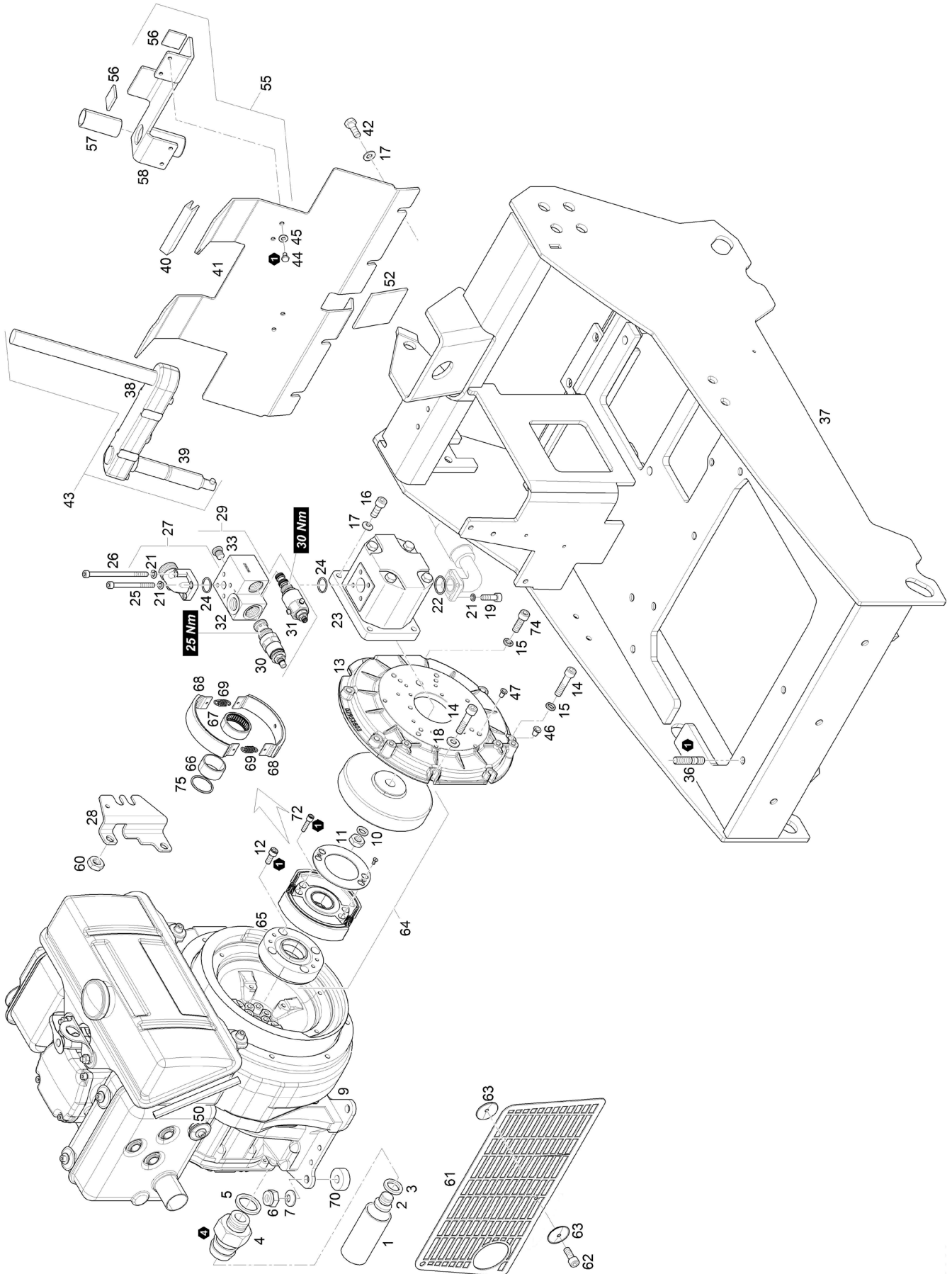


SRP 6570 PARTS

Item #	Part #	Qty	Description
1	75733	28	Hexagonal Head Cap Screw
2	75527	28	Lock Washer
3	75244	2	Shift Cover
4	75430	6	O-Ring
5	76194	2	Cylindrical Roller Bearing
6	75448	2	Piston Packing
7	75431	2	O-Ring
8	75241	2	Piston
9	75491	2	Retaining Ring
10	75398	4	Deep Groove Ball Bearing
11	75771	2	Hexagon Nut
12	75500	4	Retaining Ring
13	75408	2	Axial Bearing Washer
14	75311	1	Gear
15	75979	1	Exciter Shaft
16	75538	1	Cylindrical Pin
17	75985	2	Exciter Weight
18	75525	2	Lock Washer
19	76296	2	Socket Head Cap Screw
20	75976	1	Guide Piston
21	75969	1	Base Plate (Base Plate Only) For Base Plate Assembly see page 28
22	76295	4	Socket Head Cap Screw
23	75984	4	Exciter Weight
24	75478	2	Key
25	75981	1	Exciter Shaft
26	76193	1	Cylindrical Roller Bearing
27	76219	2	Cylindrical Pin
29	75239	2	Gear
30	75977	1	Bearing Cover
31	75522	3	Lock Washer
32	76291	3	Socket Head Cap Screw
33	76305	1	Hexagon Nut
34	75523	1	Lock Washer
35	75980	1	Clutch Flange
36	76201	1	O-Ring

Item #	Part #	Qty	Description
37	76211	1	Woodruff Key
38	76231	1	Elbow Flange Coupling, cpl.
39	76285	4	Socket Head Cap Screw
40	76215	8	Spring Washer
41	75678	4	Socket Head Cap Screw
42	75422	1	O-Ring
43	76248	1	Geared Motor
44	75680	4	Socket Head Cap Screw
45	75531	4	Conical Spring Washer
46	75428	1	O-Ring
47	76232	1	Elbow Flange Coupling, cpl.
48	75978	1	Cover
49	75936	1	Hexagonal Head Cap Screw
50	75452	1	Joint Washer
51	75309	3	Bearing Cover
52	75407	3	Cylindrical Roller Bearing
53	75975	1	Exciter Shaft
54	75557	2	Straight Coupling
55	75561	2	Sealing Plug
56	75243	2	Shift Cover, Assy.
57	75272	1	Adjusting Wheel
58	75477	1	Key, hardened
59	75506	1	Retaining Ring
60	75783	1	Threaded Pin
61	76213	2	Retaining Ring
62	75766	3	Countersunk Screw
63	76207	2	Joint Washer
64	75673	2	Socket Head Cap Screw

SRP 6570 PARTS

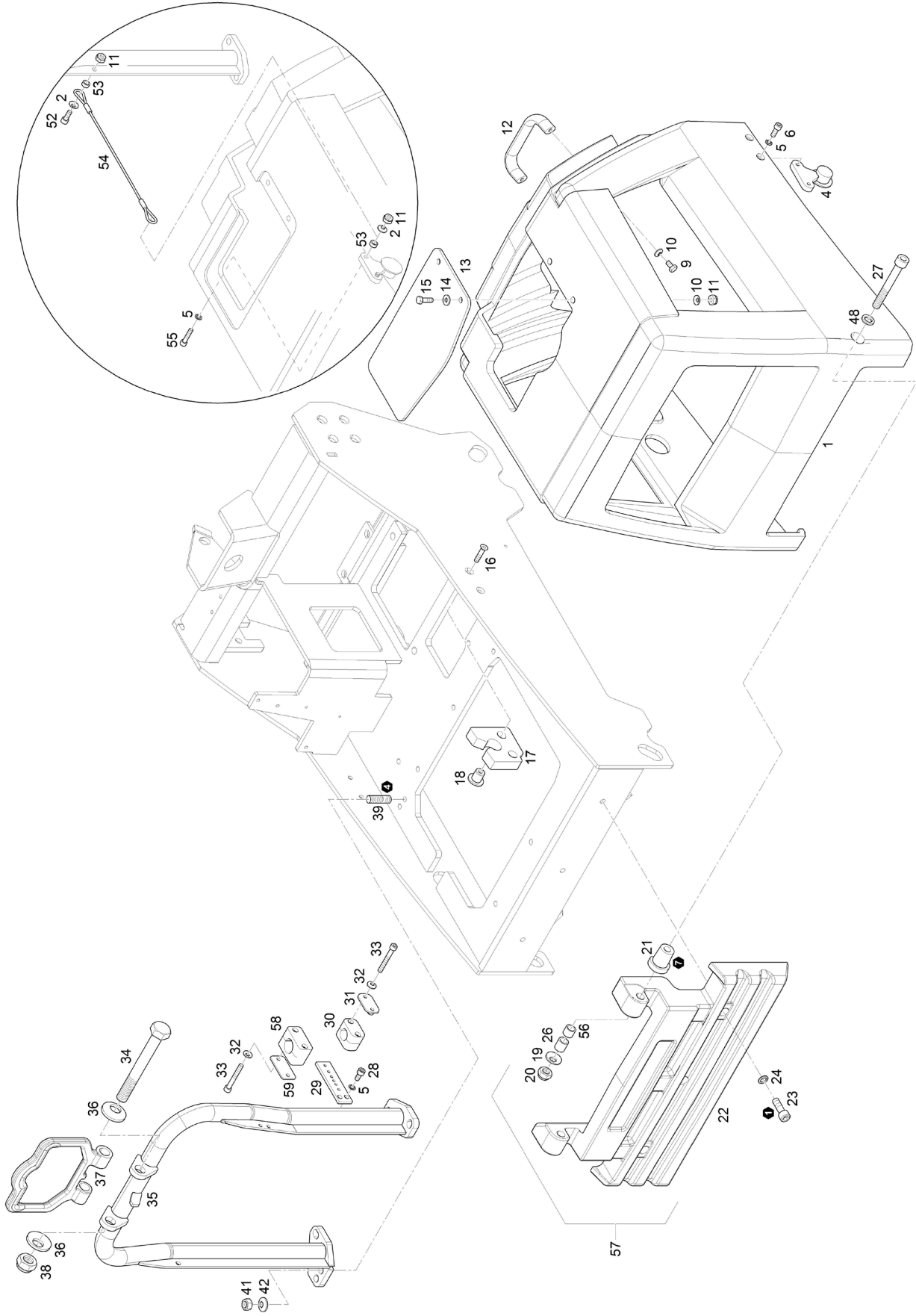


SRP 6570 PARTS

Item #	Part #	Qty	Description
1	75991	1	Pipe
2	76279	1	Screw Plug
3	76205	1	Joint Washer
4	75964	1	Oil Drain Adapter
5	75456	1	Joint Washer
6	75755	4	Hexagon Nut
7	76217	4	Lock Washer
9	76246	1	Diesel Engine
10	75523	1	Lock Washer
11	76305	1	Hexagon Nut
12	76289	4	Socket Head Cap Screw
13	76326	1	Coupling House
14	75689	6	Socket Head Cap Screw
15	75522	6	Lock Washer
16	76208	4	Socket Head Cap Screw
17	75531	8	Conical Spring Washer
18	75527	2	Lock Washer
19	76285	4	Socket Head Cap Screw
21	75520	8	Lock Washer
22	75428	1	O-Ring
23	76247	1	Geared Pump
24	75422	2	O-Ring
25	76287	2	Socket Head Cap Screw
26	76288	2	Socket Head Cap Screw
27	76231	1	Elbow Flange Coupling, cpl.
28	75965	1	Console
29	76249	1	Valve Combination
30	76252	1	Pressure Limiting Cartridge (also need to purchase gasket, item below)
30A	76256	1	Gasket Kit
31	76251	1	Pressure Reducing Cartridge (also need to purchase gasket, item below)
31A	76255	1	Gasket Kit
32	76254	1	Connection Block
33	76258	1	Screw Plug
36	76307	4	Stud Bolt

Item #	Part #	Qty	Description
37	76173	1	Upper Part
38	76324	1	Lever
39	76325	1	Starting Crank
40	76191	2	Rubber Profile
41	75988	1	Cover Sheet
42	75725	4	Hexagonal Head Cap Screw
43	76331	1	Starting Crank
44	75723	4	Hexagonal Head Cap Screw
45	75533	4	Conical Spring Washer
46	76268	2	Closing Plug
47	75649	4	Closing Plug
50	76190	1	Rubber Profile
52	75966	1	Rubber Band
55	76163	1	Crank Holder Assy.
56	75307	4	Rubber Plate
57	75991	1	Pipe
58	76162	1	Crank Holder
60	75749	2	Hexagon Nut
61	76170	1	Protecting Sheet
62	76314	2	Socket Head Cap Screw
63	76328	4	Spring washer
64	76240	1	Centrifugal Clutch (Includes Items 10-12, 65-69, 72 & 75)
65	76243	1	Flange
66	76323	1	Internal Ring
67	76196	1	Needle Bearing
68	76241	2	Lining Strap
69	76242	2	Tension Spring
70	76329	4	Bush
72	75675	4	Socket Head Cap Screw
73	76310	2	Countersunk Screw
74	76292	2	Socket Head Cap Screw
75	76195	1	Retaining Ring

SRP 6570 PARTS

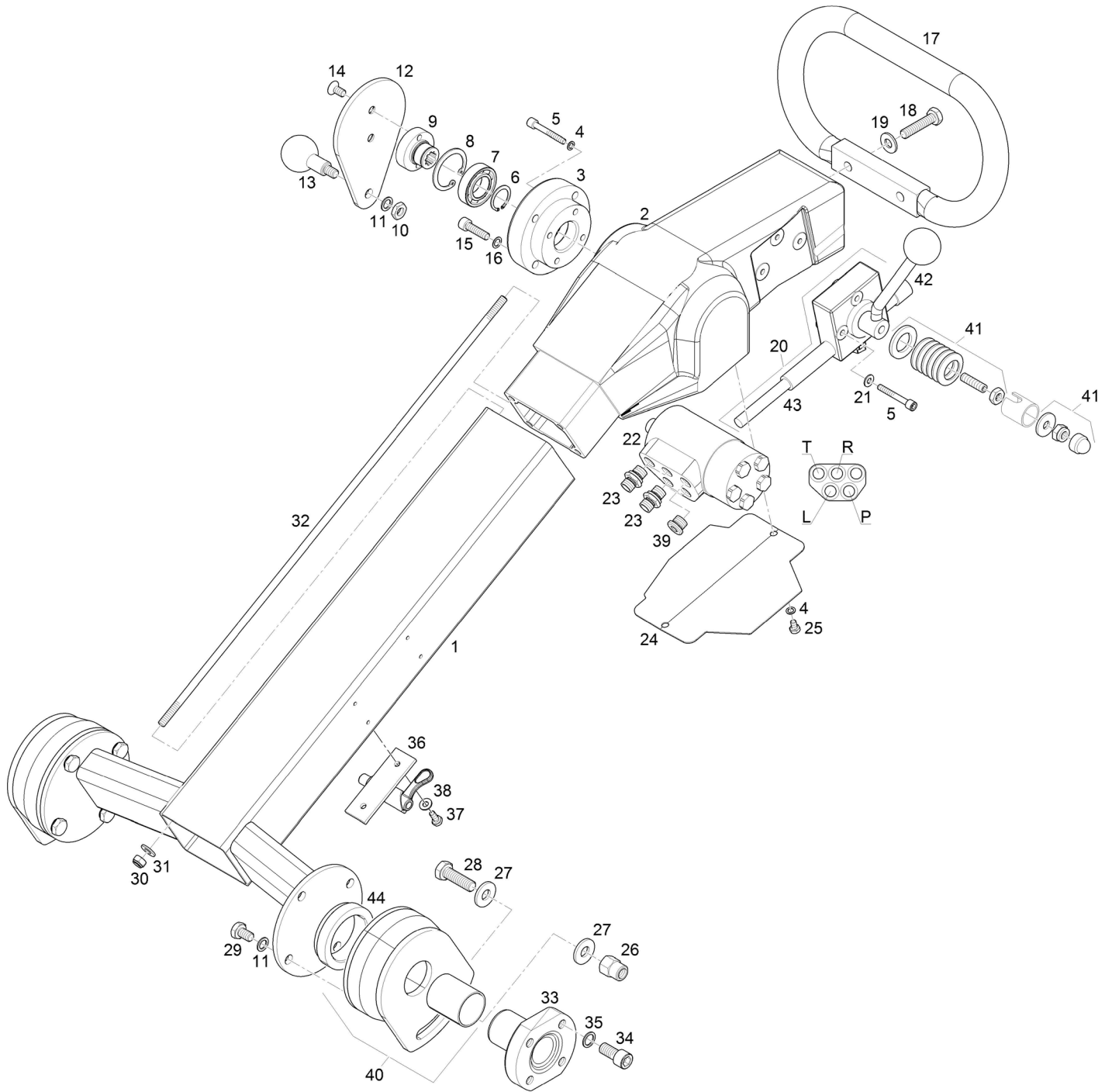


SRP 6570 PARTS

Item No.	Part No.	Qty	Description
1	76168	1	Hood
2	75530	2	Conical Spring Washer
4	75958	2	Fastener
5	75521	6	Lock Washer
6	76309	3	Socket Head Cap Screw
9	75727	2	Hexagonal Head Cap Screw
10	75531	4	Conical Spring Washer
11	75753	4	Hexagon Nut
12	76221	1	U-Handle
13	76169	1	Plate
14	75512	2	Washer
15	75729	2	Hexagonal Head Cap Screw
16	75764	4	Countersunk Screw
17	75957	2	Clamp
18	75959	4	Flanged Bush
19	75532	2	Conical Spring Washer
20	75756	2	Hexagon Nut
21	75313	2	Spring Element
22	76160	1	Panel
23	76293	3	Socket Head Cap Screw
24	75523	3	Lock Washer
26	75409	2	Bush
27	75692	2	Socket Head Cap Screw
28	75679	2	Socket Head Cap Screw
29	75990	1	Flat Steel
30	76224	1	Clamping Piece

Item No.	Part No.	Qty	Description
31	76225	1	Cover Plate
32	75533	4	Conical Spring Washer
33	76286	4	Socket Head Cap Screw
34	76298	1	Hexagonal Head Cap Screw
35	76174	1	Hoop Guard
36	75535	2	Plate Spring
37	75383	1	Lifting Eye
38	75758	1	Hexagon Nut
39	76306	4	Stud Bolt
41	76304	4	Hexagon Nut
42	76217	4	Lock Washer
48	76214	2	Washer
52	75680	1	Socket Head Cap Screw
53	75308	2	Distance Bush
54	75994	1	Rope
55	75995	1	Screw
56	75409	2	Bush
57	75997	1	Panel
58	76226	1	Clamping Piece
59	76227	1	Cover Plate

SRP 6570 PARTS

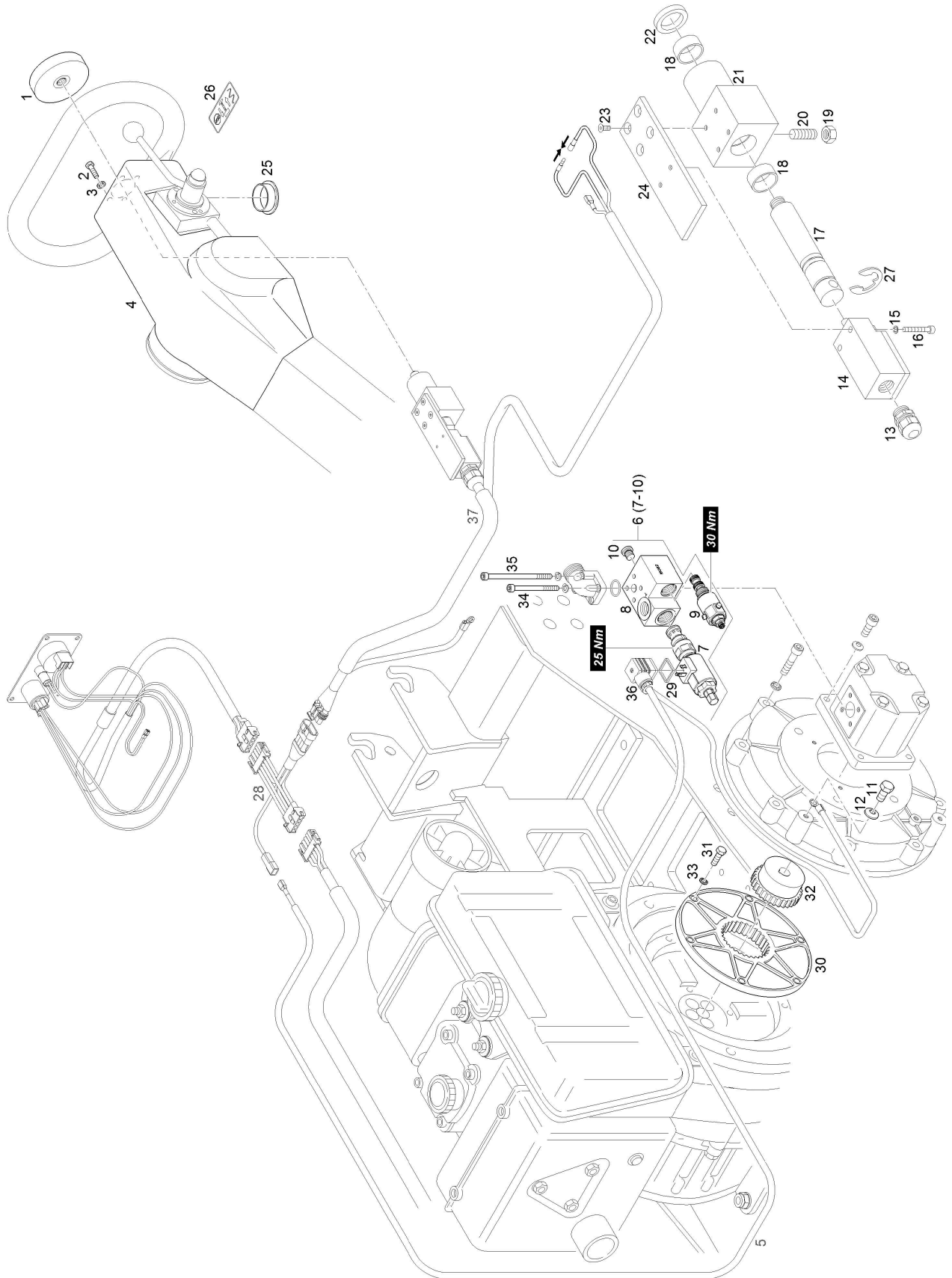


SRP 6570 PARTS

Item #	Part #	Qty	Description
1	76151	1	Drawbar
2	76184	1	Drawbar Block
3	75998	1	Flange
4	75520	9	Lock Washer
5	76286	7	Socket Head Cap Screw
6	75494	1	Retaining Ring
7	76192	1	Deep Groove Ball Bearing
8	76212	1	Retaining Ring
9	75996	1	Hub
10	75748	1	Hexagon Nut
11	75522	9	Lock Washer
12	75956	1	Reversing Lever
13	76220	1	Ball Button
14	75763	2	Countersunk Screw
15	76290	4	Socket Head Cap Screw
16	75521	4	Lock Washer
17	76187	1	Drawbar Grip
18	76297	2	Hexagonal Head Cap Screw
19	75530	2	Conical Spring Washer
20	76267	1	Actuating Element, Assy.
21	75533	3	Conical Spring Washer
22	76261	1	Steering Control Unit
23	76229	4	Straight Coupling

Item #	Part #	Qty	Description
24	76167	1	Covering
25	75723	2	Hexagonal Head Cap Screw
26	75955	2	Stopper
27	75528	4	Conical Spring Washer
28	76302	2	Hexagonal Head Cap Screw
29	75936	8	Hexagonal Head Cap Screw
30	75753	2	Hexagon Nut
31	75531	2	Conical Spring Washer
32	76155	2	Thread Rod
33	75912	2	Bearing Stud
34	75933	8	Socket Head Cap Screw
35	75523	8	Lock Washer
36	76262	1	Locking Bolt
37	76299	2	Hexagonal Head Cap Screw
38	75533	2	Conical Spring Washer
39	76281	1	Screw Plug
40	75913	2	Spring Element, cpl.
41	76266	1	Repairing Set
42	76263	1	Transmitter
43	76265	1	Bowden Control Cable
44	76171	2	Ring

SRP 6570 PARTS

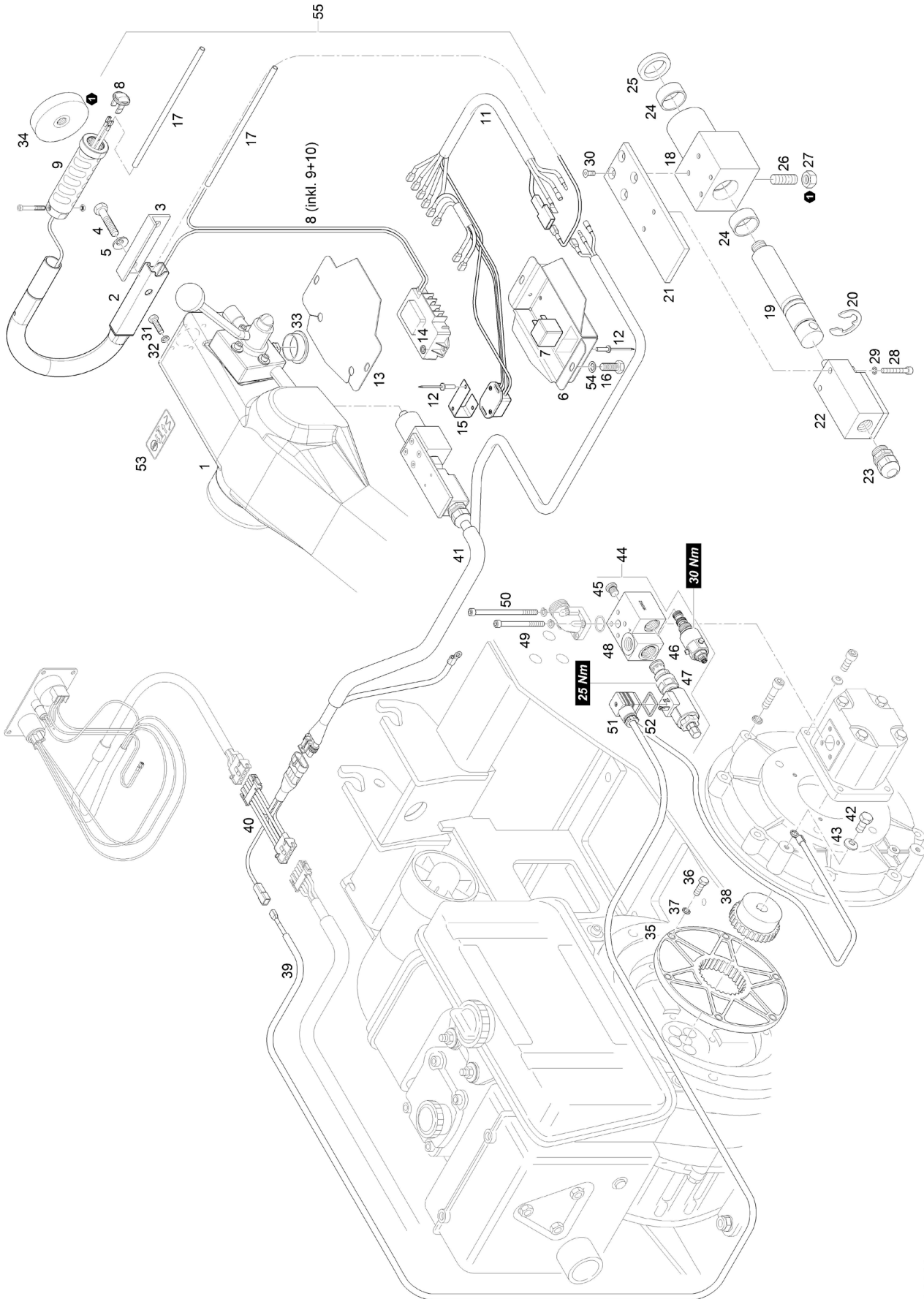


SRP 6570 PARTS

Item #	Part #	Qty	Description
1	76172	1	Buffer
2	75724	4	Hexagonal Head Cap Screw
3	75520	4	Lock Washer
4	76185	1	Drawbar Block
5	76179	1	Cable Harness
6	76250	1	Valve Combination
7	76253	1	Pressure Limiting Cartridge (also need to purchase gasket, item below)
7A	76257	1	Gasket Kit
8	76254	1	Connection Block
9	76251	1	Pressure Reducing Cartridge (also need to purchase gasket, item below)
9A	76255	1	Gasket Kit
10	76258	1	Screw Plug
11	75936	1	Hexagonal Head Cap Screw
12	75530	1	Conical Spring Washer
13	76274	1	Cable Fitting
14	76273	1	Switch
15	76216	2	Lock Washer
16	76313	2	Socket Head Cap Screw
17	76186	1	Tappet
18	76197	1	Bush

Item #	Part #	Qty	Description
19	76303	1	Hexagon Nut
20	76222	1	Compression Piece
21	76183	1	Bearing Housing
22	76203	1	Wiper Ring
23	76312	4	Countersunk Screw
24	76182	1	Fastener
25	76269	1	Closing Plug
26	75952	1	Adhesive Plate
27	76218	1	Lock Washer
28	76180	1	Adapter Cable
29	76276	1	Gasket
30	76198	1	Flange
31	76301	6	Hexagonal Head Cap Screw
32	76199	1	Hub
33	75521	6	Lock Washer
34	76287	2	Socket Head Cap Screw
35	76288	2	Socket Head Cap Screw
36	76275	1	Connector
37	76178	1	Cable Harness

SRP 6570 PARTS

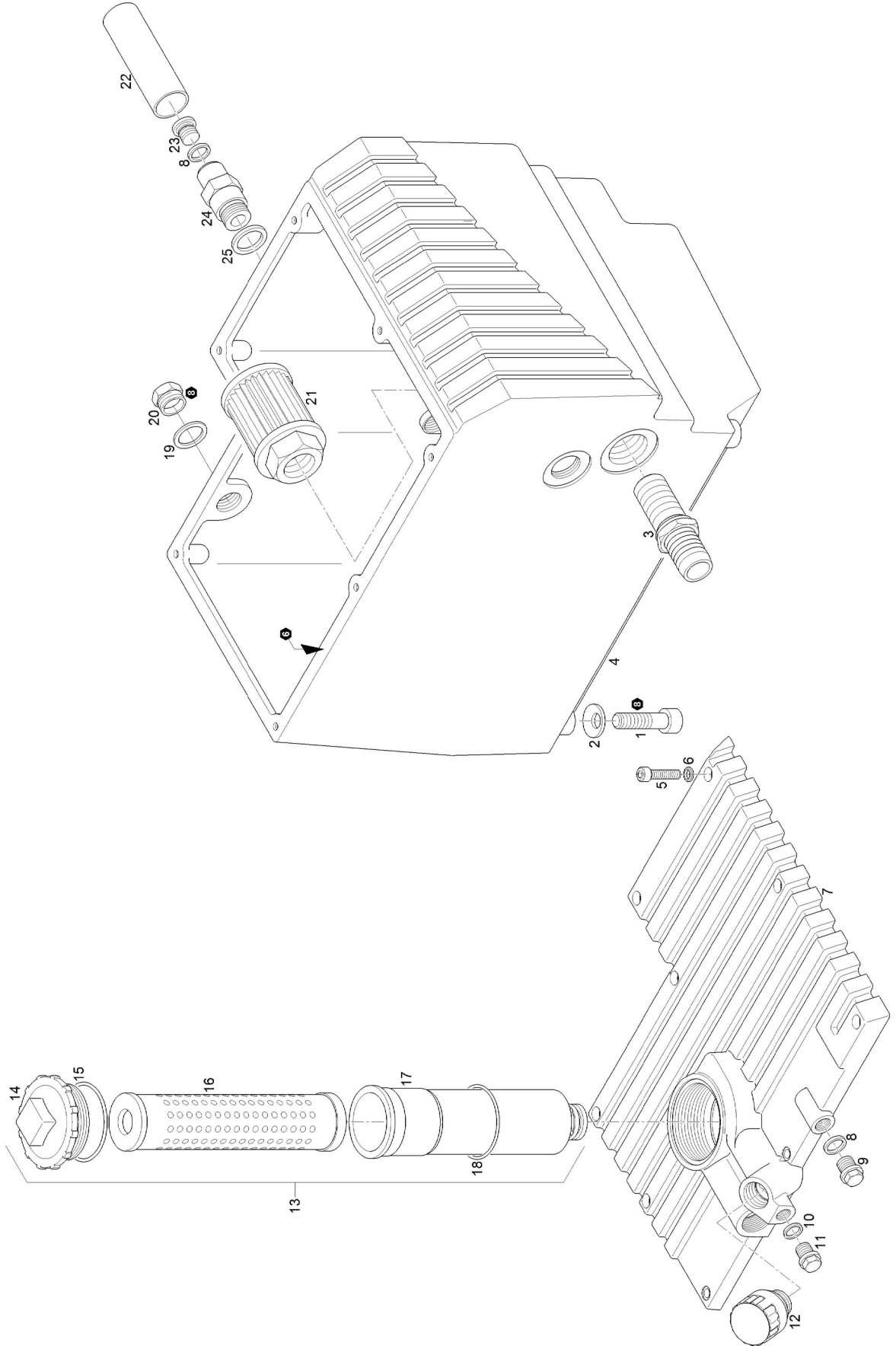


SRP 6570 PARTS

Item No.	Part No.	Qty	Description
1	76185	1	Drawbar Block
2	76332	1	Drawbar Grip
3	76333	1	Angle
4	76297	2	Hexagonal Head Cap Screw
5	75530	2	Conical Spring Washer
6	76334	1	Panel
7	76335	1	Relay
8	76336	1	Sensor
9	76337	2	Grip Pipe
11	76338	1	Cable Harness
12	76339	5	Blind Rivet
13	76340	1	Gasket
14	76341	3	Washer
15	76342	1	Sheet Plate
16	76300	2	Hexagonal Head Cap Screw
17	76343	2	Hose
18	76183	1	Bearing Housing
19	76186	1	Tappet
20	76218	1	Lock Washer
21	76182	1	Fastener
22	76273	1	Switch
23	76274	1	Cable Fitting
24	76197	2	Bush
25	76203	1	Wiper Ring
26	76222	1	Compression Piece
27	76303	1	Hexagon Nut
28	76313	2	Socket Head Cap Screw
29	76216	2	Lock Washer
30	76312	4	Countersunk Screw
31	75724	4	Hexagonal Head Cap Screw
32	75520	4	Lock Washer
33	76269	1	Closing Plug
34	76172	1	Buffer
35	76198	1	Flange
36	76301	6	Hexagonal Head Cap Screw

Item No.	Part No.	Qty	Description
37	75521	4	Lock Washer
38	76199	1	Hub
39	76179	1	Cable Harness
40	76180	1	Adapter Cable
41	76178	1	Cable Harness
42	75936	1	Hexagonal Head Cap Screw
43	75530	1	Conical Spring Washer
44	76250	1	Valve Combination
45	76258	1	Screw Plug
46	76251	1	Pressure Reducing Cartridge (also need to purchase gasket, item below)
46A	76255	1	Gasket Kit
47	76253	1	Pressure Limiting Cartridge (also need to purchase gasket, item below)
47A	76257	1	Gasket Kit
48	76254	1	Connection Block
49	76287	2	Socket Head Cap Screw
50	76288	2	Socket Head Cap Screw
51	76275	1	Connector
52	76276	1	Gasket
53	75952	1	Adhesive Plate
54	75520	2	Lock Washer
55	76188	1	Control System

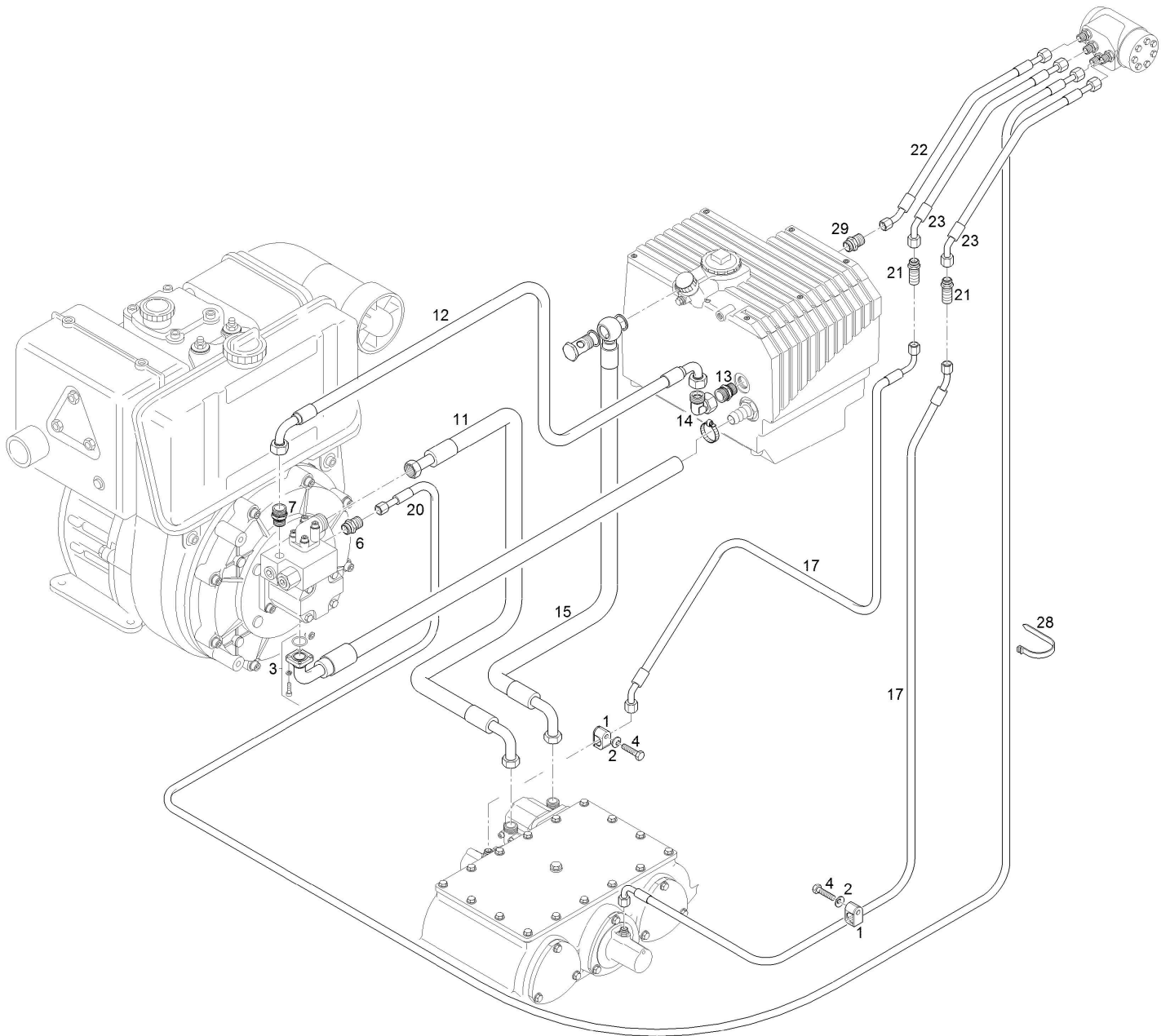
SRP 6570 PARTS



SRP 6570 PARTS

Item No.	Part No.	Qty	Description
1	76294	3	Socket Head Cap Screw
2	76217	3	Lock Washer
3	75999	1	Straight Coupling
4	76164	1	Oil Tank
5	75675	9	Socket Head Cap Screw
6	75520	9	Lock Washer
7	76156	1	Tank Cap
8	75453	2	Joint Washer
9	76283	1	Screw Plug
10	75457	1	Joint Washer
11	76282	1	Screw Plug
12	76234	1	Ventilating Filter
13	76260	1	Filter Set
14	76236	1	Cover Cpl.
15	76200	1	O-Ring
16	76235	1	Filter Cartridge
17	76237	1	Filter
18	76202	1	O-Ring
19	75459	1	Joint Washer
20	75569	1	Inspection Glass
21	76259	1	Suction Filter
22	75989	1	Pipe
23	76279	1	Screw Plug
24	75992	1	Oil Drain Adapter
25	75456	1	Joint Washer

SRP 6570 PARTS

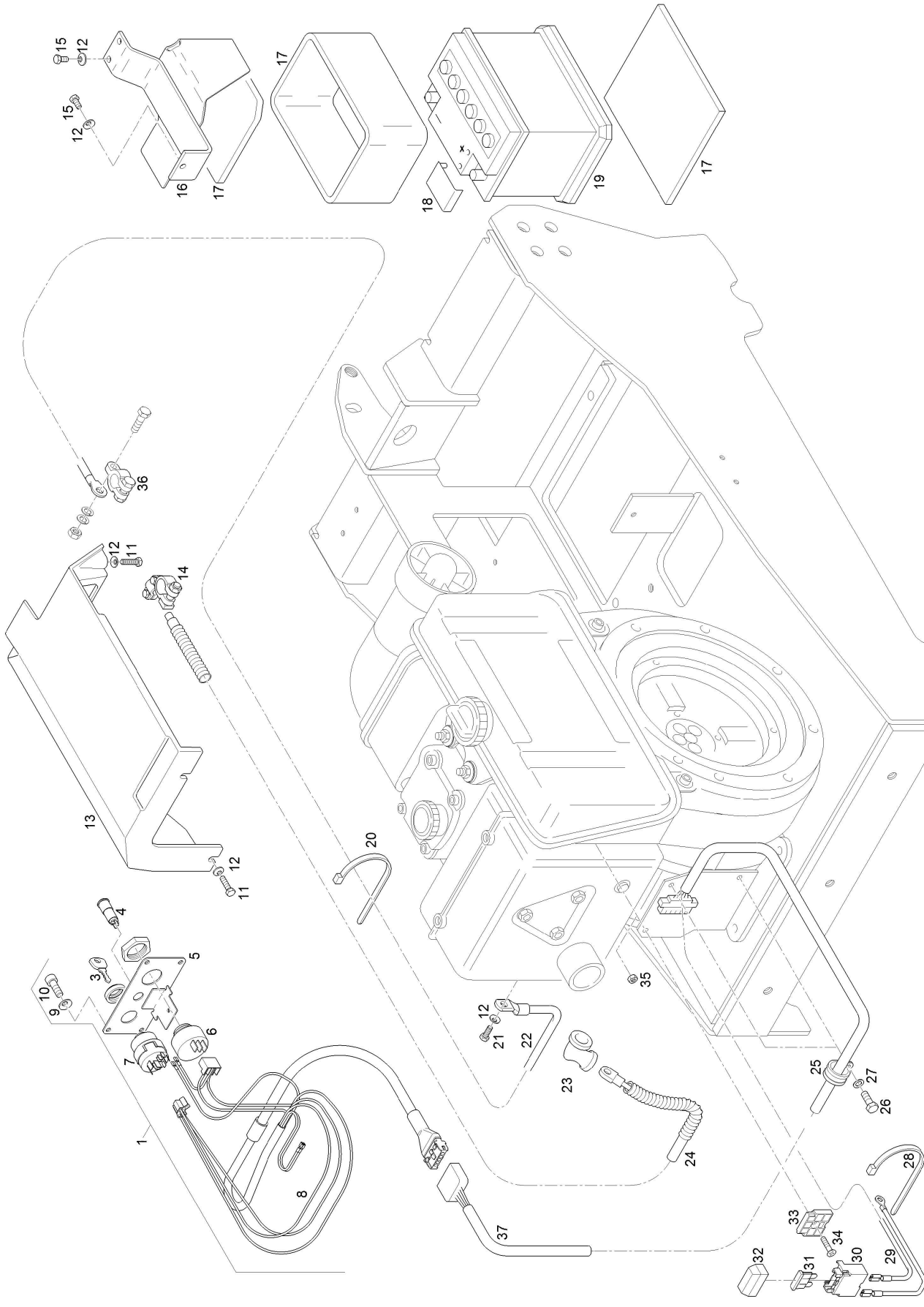


SRP 6570 PARTS

Item #	Part No.	Qty	Description
1	75928	2	Light Construction Clip
2	75923	2	Washer
3	76152	1	Hose Line
4	75935	2	Hexagonal Head Cap Screw
6	75557	1	Straight Coupling
7	76228	1	Straight Coupling
11	76153	1	Hose Line
12	76161	1	Hose Line
13	76228	1	Straight Coupling
14	76233	1	Adjustable Male Stud Elbow

Item #	Part No.	Qty	Description
15	76159	1	Hose Line
17	75993	2	Hose Line
20	75986	1	Hose Line
21	75558	2	Bulkhead Straight Coupling
22	75987	1	Hose Line
23	76154	2	Hose Line
28	76223	3	Cable Binder
29	76230	1	Straight Coupling

SRP 6570 PARTS



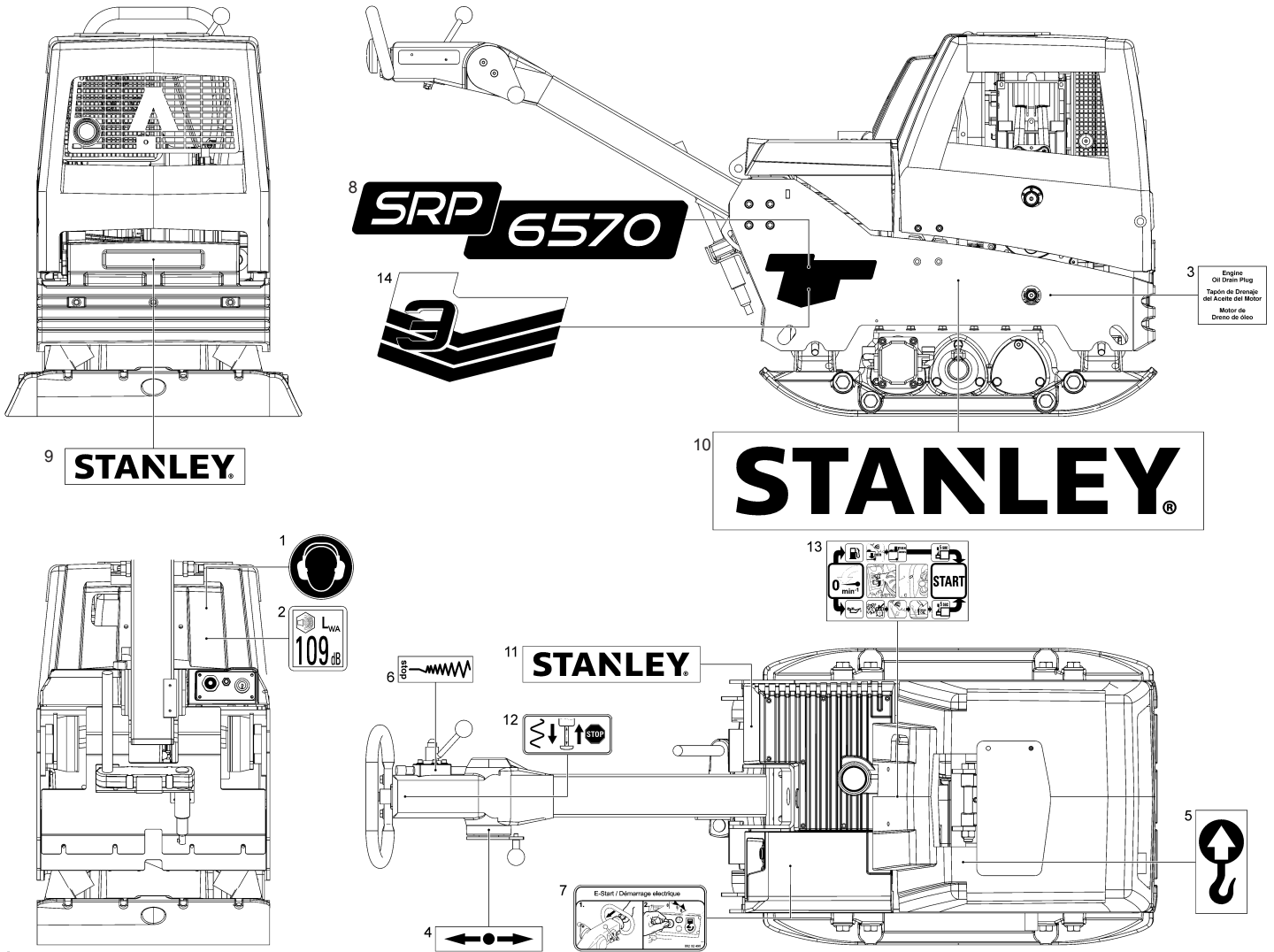
105049

SRP 6570 PARTS

Item #	Part No.	Qty	Description
1	76177	1	Startpanel, Assy.
3	75667	1	Ignition Key
4	75658	1	Light-Emitting Diode
5	75312	1	Sheet Plate
5	76165	1	Startpanel, Cpl.
6	75660	1	Signal Transmitter
7	75668	1	Switch
8	76181	1	Cable Harness
9	75533	4	Conical Spring Washer
10	75673	4	Socket Head Cap Screw
11	75729	4	Hexagonal Head Cap Screw
12	75531	8	Conical Spring Washer
13	76166	1	Cover
14	76277	1	Battery Terminal
15	75725	3	Hexagonal Head Cap Screw
16	76157	1	Battery Holder
17	76158	1	Battery Cushion
18	75666	1	Covering
19	75665	1	Battery
20	76223	1	Cable Binder
21	75727	1	Hexagonal Head Cap Screw

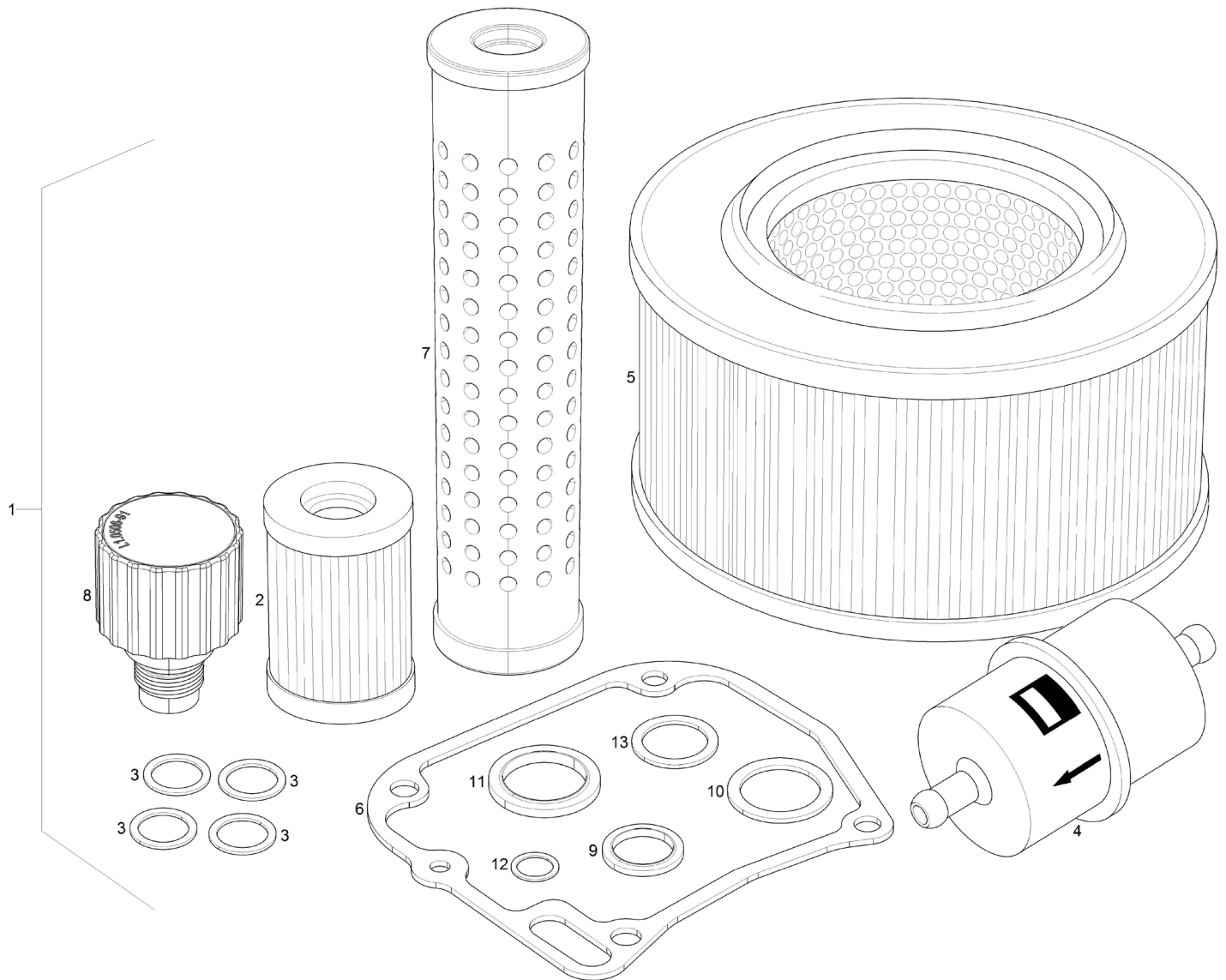
Item #	Part No.	Qty	Description
22	76176	1	Battery Cable
23	76210	1	Protective Cap
24	76189	1	Battery Cable
25	75544	2	Clamping Piece
26	76300	2	Hexagonal Head Cap Screw
27	75533	2	Conical Spring Washer
28	75546	1	Cable Binder
29	75963	1	Cable
30	76271	1	Fuse Holder
31	75669	1	Fuse
32	76272	1	Cap
33	76270	1	Supporter
34	76311	1	Countersunk Screw
35	76308	1	Hexagon Nut
36	76278	1	Battery Terminal
37	76175	1	Cable Harness

SRP 6570 DECALS



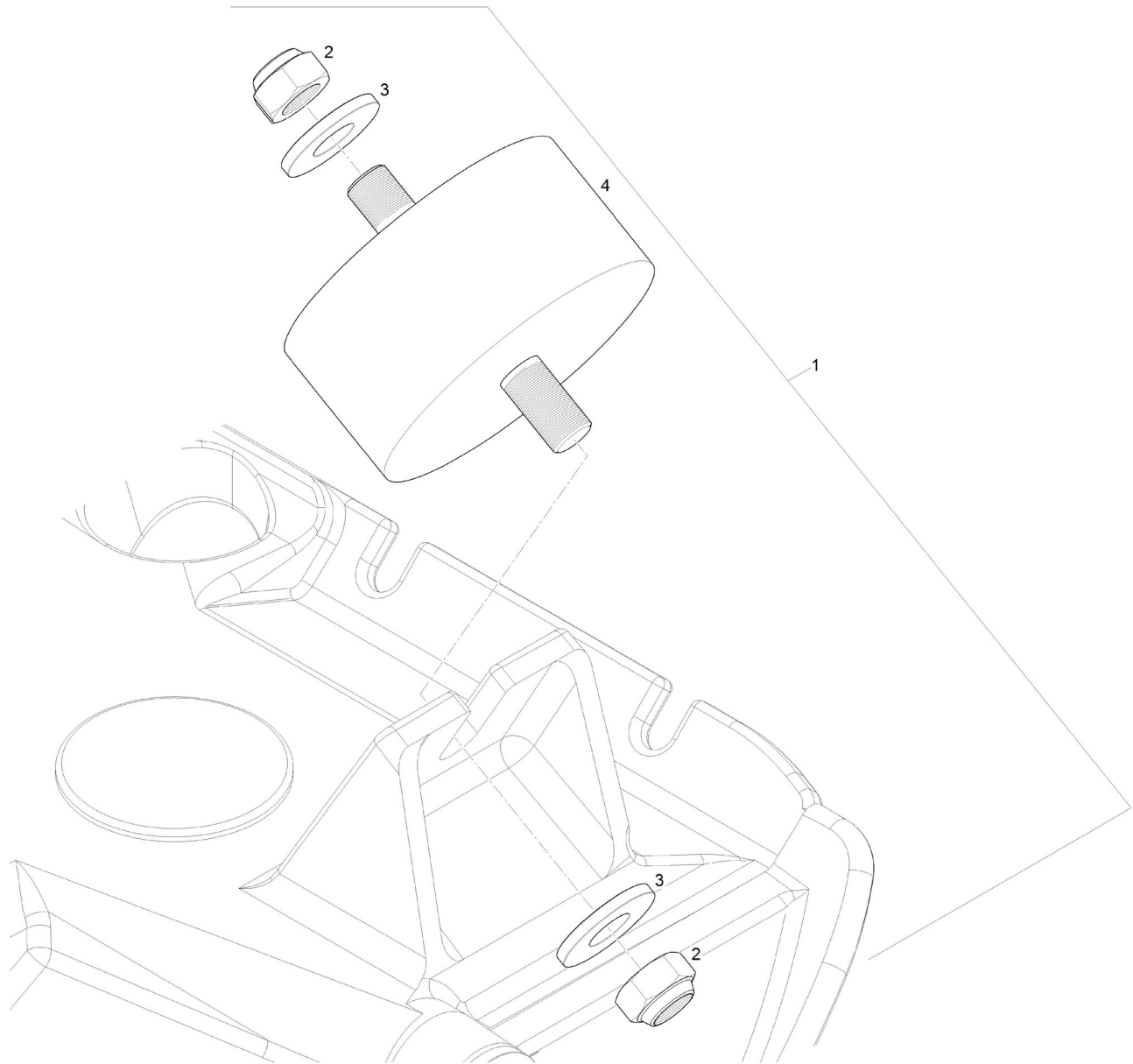
Item #	Part No.	Qty	Description
1	75103	1	Adhesive Plate
2	75954	1	Adhesive Plate
3	75909	1	Adhesive Plate
4	75951	1	Adhesive Plate
5	75097	1	Adhesive Plate
6	75090	1	Adhesive Plate
7	75953	1	Adhesive Plate
8	74912	2	SRP6570 Model Decal
9	74917	1	Stanley Logo, Blk 5.5x1.1
10	74910	2	Stanley Logo, Blk 15x3
11	74924	1	Stanley Logo, Yel 5.5x1.1
12	75952	1	Adhesive Plate
13	76330	1	Adhesive Plate
14	74919	2	Triple Shaft Decal

SRP 6570 MAINTENANCE KIT



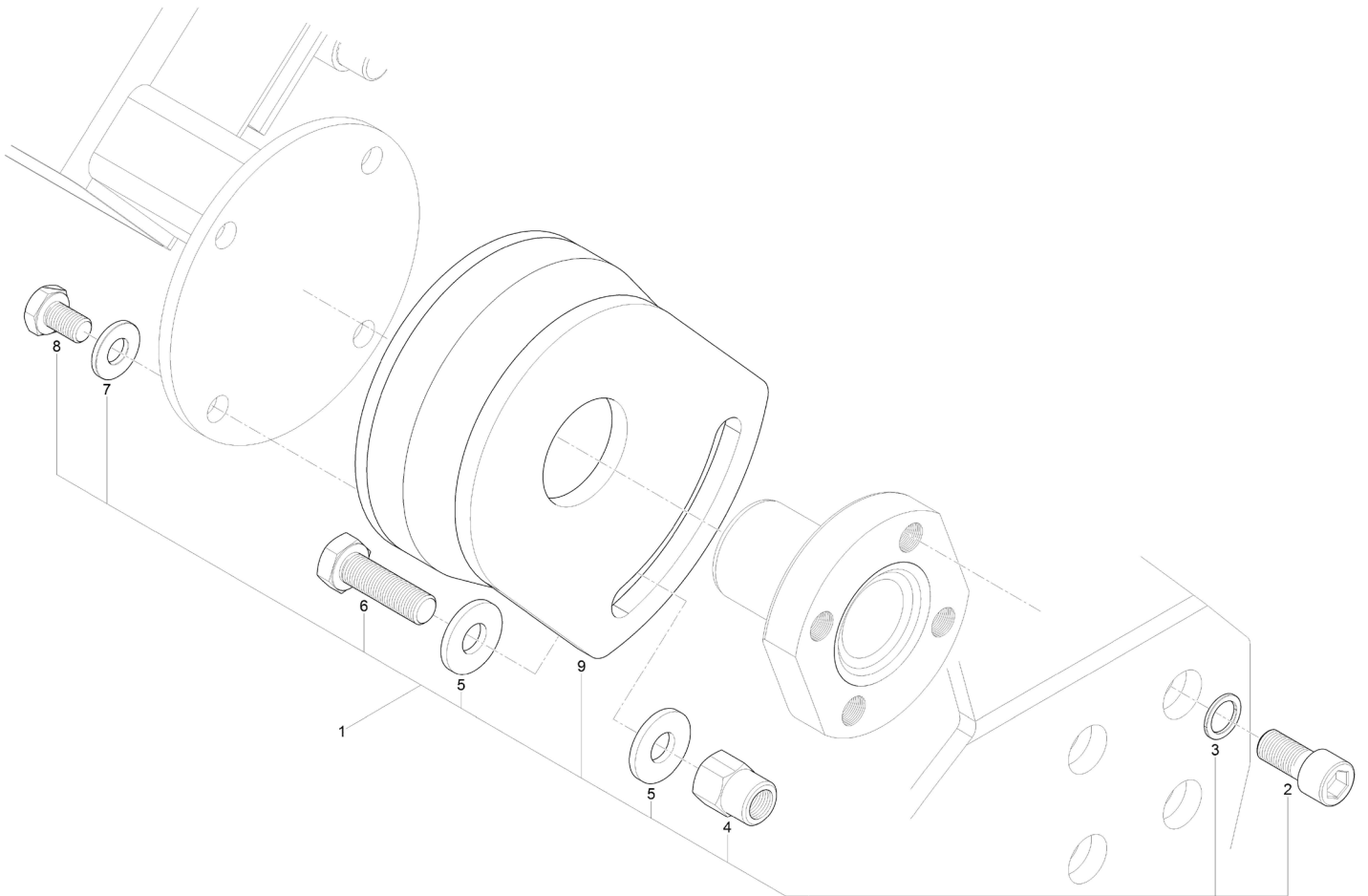
Item #	Part No.	Qty	Description
1	76316	1	Maintenance Kit
2	76239	1	Oil Filter
3	75453	4	Joint Washer
4	75577	1	Fuel Filter
5	76238	1	Air Filter
6	76327	1	Valve Cover Gasket
7	76235	1	Filter Element
8	76234	1	Ventilating Filter
9	76205	1	Joint Washer U14.7x22x1.5
10	75456	1	Joint Washer A22x29
11	76206	1	Joint Washer U22.7x30x2
12	75452	1	Joint Washer A 10x14x1,5
13	76204	1	Joint Washer A18x22

SRP 6570 WEAR PARTS KIT, RUBBER BUFFER



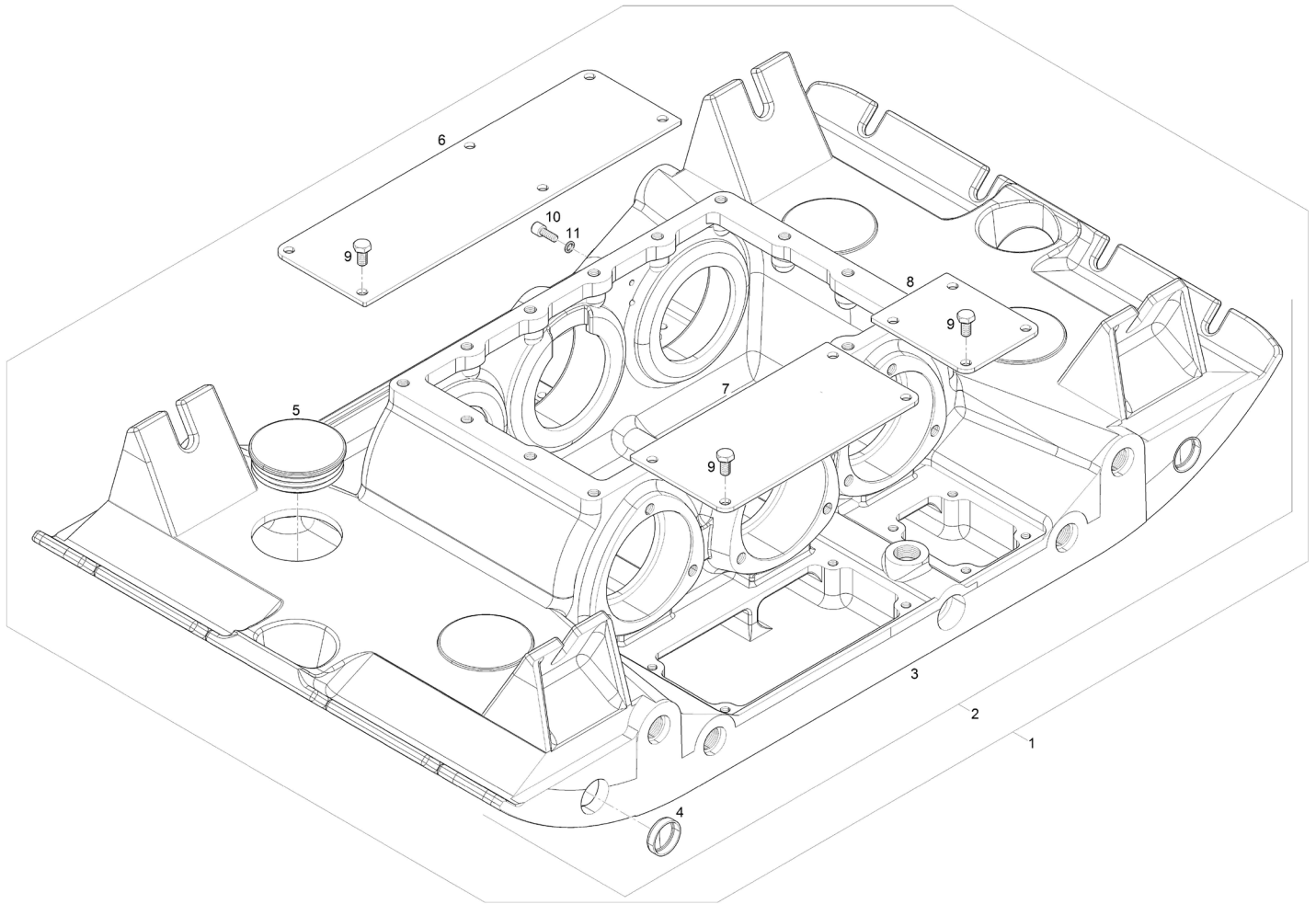
Item No.	Part No.	Qty	Description
1	76321	1	Wear Parts Kit Rubber Buffer
2	75757	8	Hexagon Nut
3	75529	8	Conical Spring Washer
4	76209	4	Rubber Buffer

SRP 6570 WEAR PARTS KIT, RUBBER BUFFER



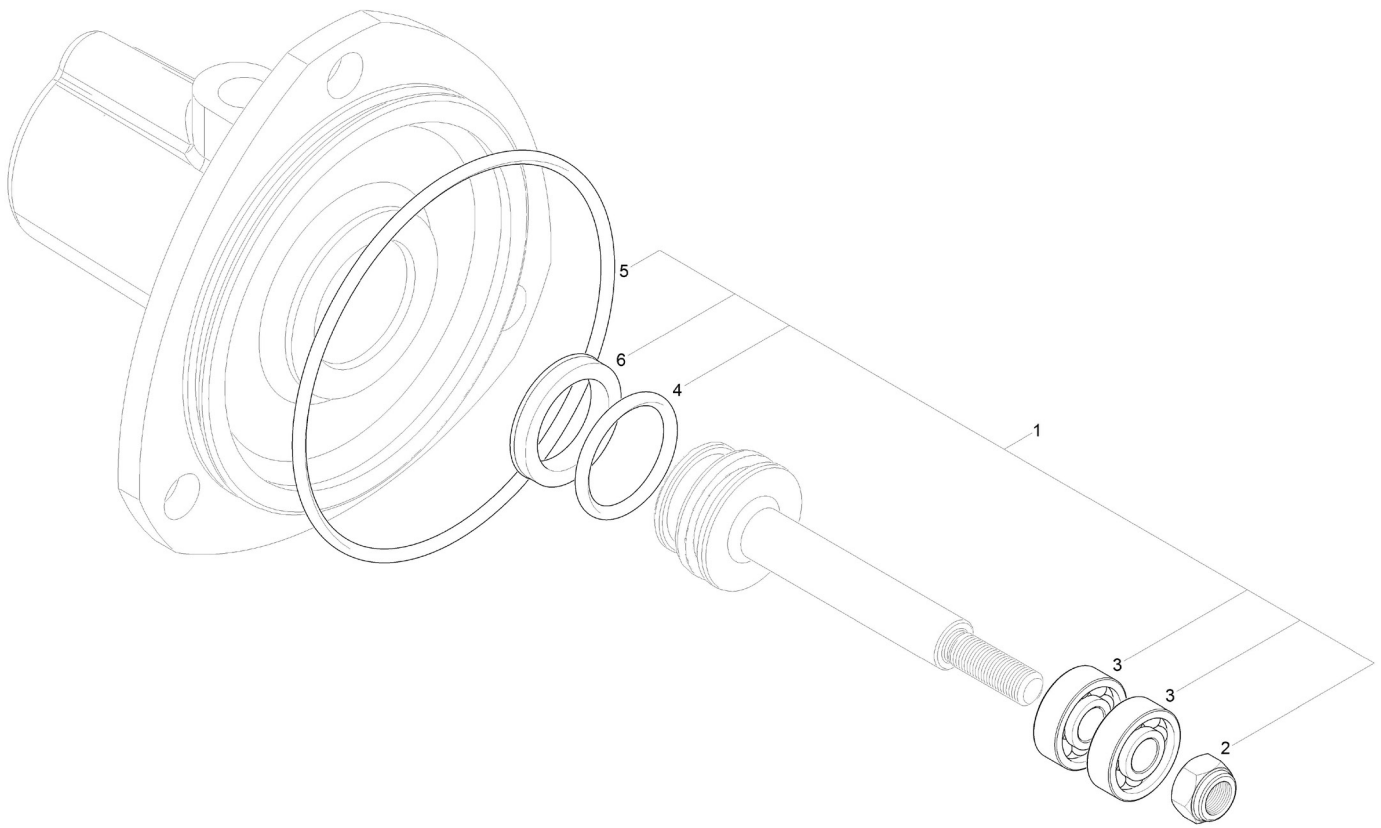
Item No.	Part No.	Qty	Description
1	76319	1	Wear Parts Kit Rubber Buffer
2	75933	8	Socket Head Cap Screw
3	75523	8	Lock Washer
4	75955	2	Stopper
5	75528	4	Conical Spring Washer
6	76302	2	Hexagon Head Cap Screw
7	75522	8	Lock Washer
8	75936	8	Hexagon Head Cap Screw
9	75913	2	Spring Element, cpl.

SRP 6570 WEAR PARTS KIT, BASE PLATE



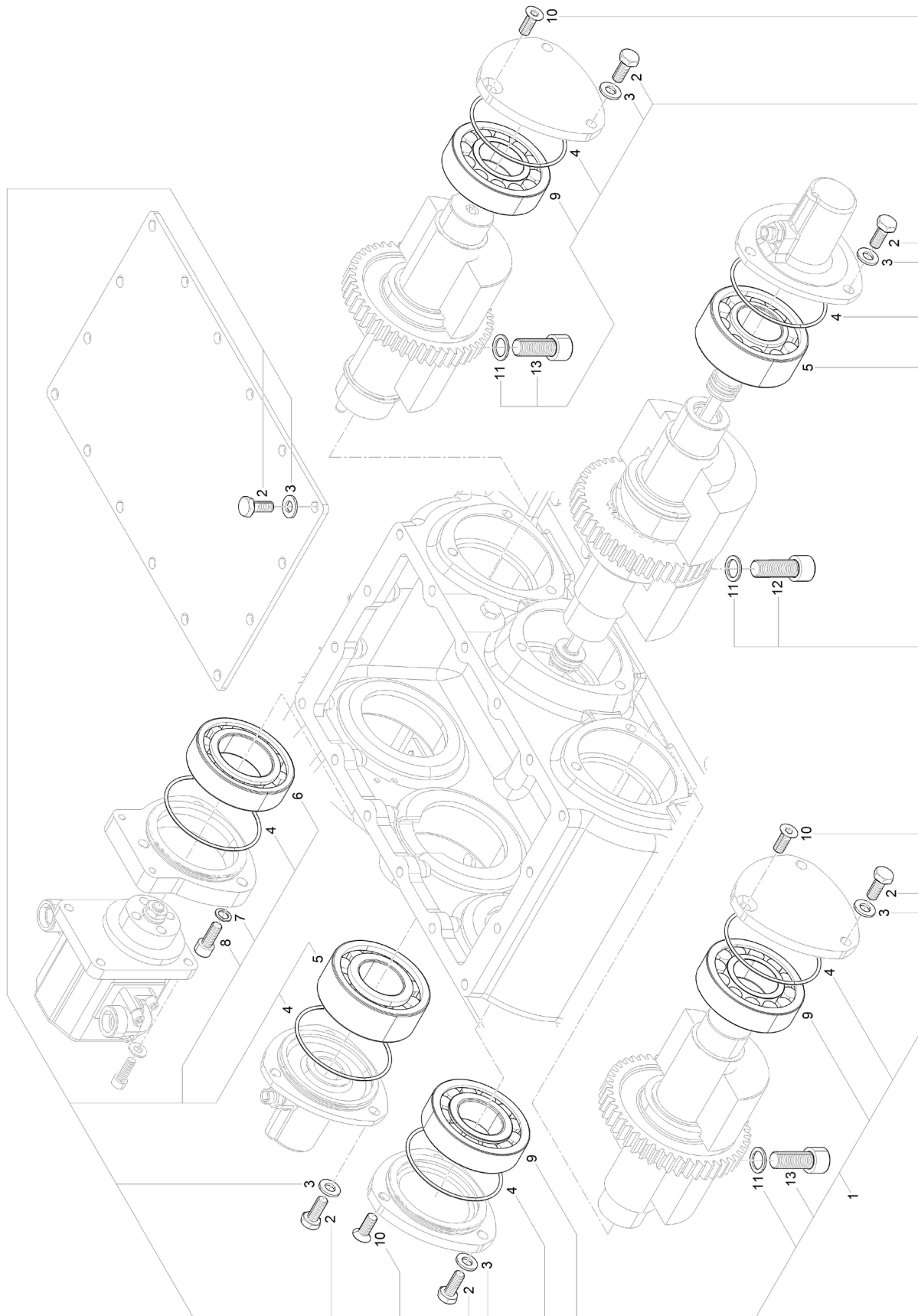
Item No.	Part No.	Qty	Description
1	76322	1	Wear Parts Kit Base Plate (Includes Items 3 thru 11)
2	75974	1	Base Plate, Assy. Includes items 3, and 6 thru 9), cover plates & hardware
3	75969	1	Base Plate (Base plate only)
4	75556	4	Cover Lid
5	75654	4	Closing Plug
6	75968	1	Cover
7	75970	1	Cover
8	75971	1	Cover
9	75725	14	Hexagon Head Cap Screw
10	76284	2	Socket Head Cap Screw
11	76207	2	Joint Washer

SRP 6570 WEAR PARTS KIT, PISTON



Item No.	Part No.	Qty	Description
1	76320	1	Wear Parts Kit Piston
2	75771	2	Hexagon Nut
3	75398	4	Groove Ball Bearing
4	75431	2	O-Ring
5	75430	3	O-Ring
6	75448	2	Piston Packing
7	75430	3	O-Ring

SRP 6570 WEAR PARTS KIT, EXCITER

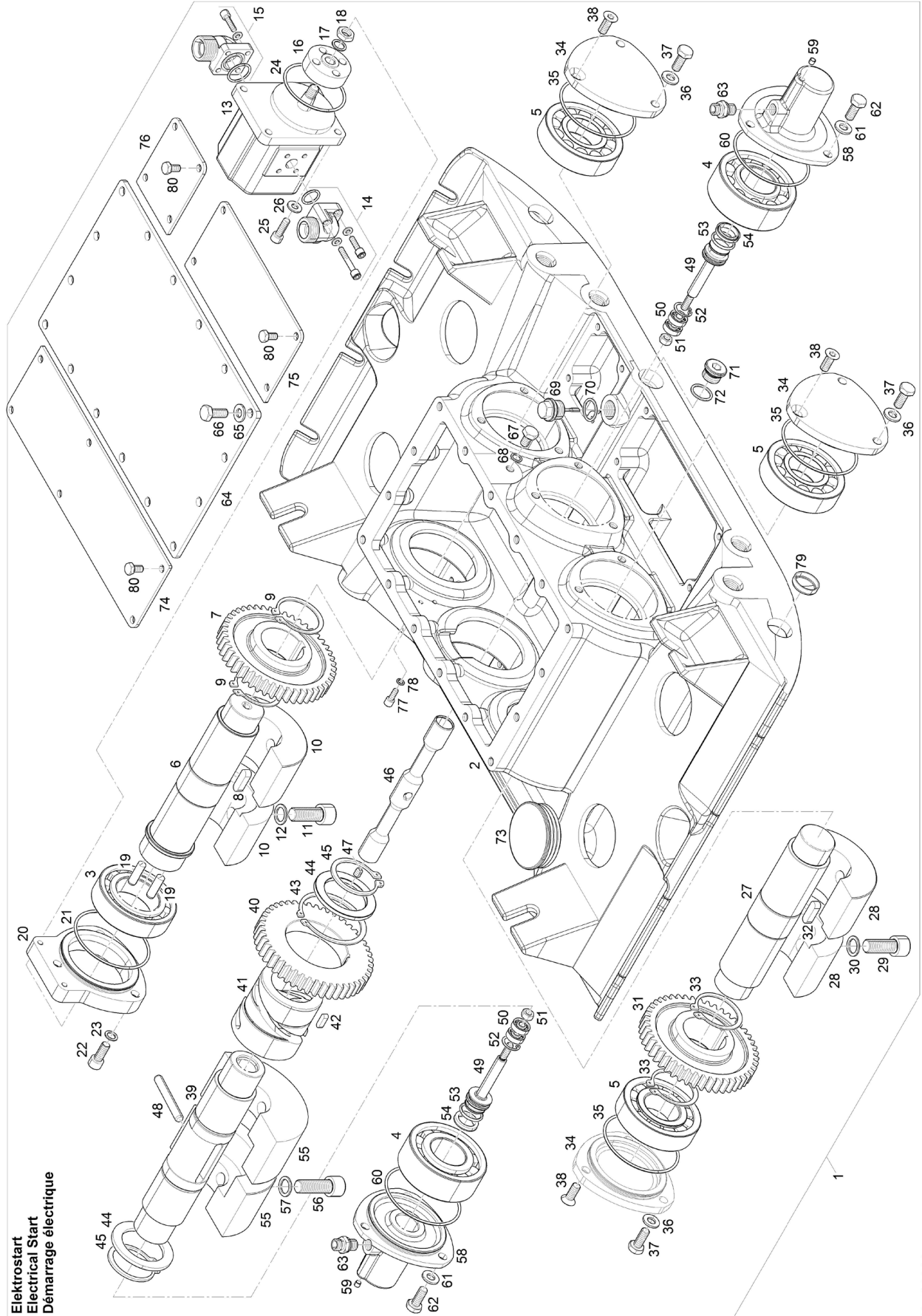


E6712036

SRP 6570 WEAR PARTS KIT, EXCITER

Item No.	Part No.	Qty	Description
1	76315	1	Repair Kit Exciter
2	75733	28	Hexagon Head Cap Screw
3	75527	28	Lock Washer
4	75430	6	O-Ring
5	76194	2	Cylindrical Roller Bearing
6	76193	1	Cylindrical Roller Bearing
7	75522	3	Lock Washer
8	76291	3	Socket Head Cap Screw
9	75407	3	Cylindrical Roller Bearing
10	75766	3	Countersunk Screw
11	75525	6	Lock Washer
12	76296	2	Socket Head Cap Screw
13	76295	4	Socket Head Cap Screw

SRP 6570 REPLACEMENT PART, EXCITER



SRP 6570 REPLACEMENT PART, EXCITER

Item #	Part #	Qty	Description
1	76318	1	Replacement Part Exciter, Includes all parts listed here.
2	75969	1	Base Plate
3	76193	1	Cylindrical Roller Bearing
4	76194	2	Cylindrical Roller Bearing
5	75407	3	Cylindrical Roller Bearing
6	75981	1	Exciter Shaft
7	75239	1	Gear
8	75478	1	Key
9	75500	2	Retaining Ring
10	75984	2	Exciter Weight
11	76295	2	Socket Head Cap Screw
12	75525	2	Lock Washer
13	76248	1	Geared Motor
14	76231	1	Elbow Flange Coupling, cpl.
15	76232	1	Elbow Flange Coupling, cpl.
16	75980	1	Clutch Flange
17	75523	1	Lock Washer
18	76305	1	Hexagon Nut
19	76219	2	Cylindrical Pin
20	75977	1	Bearing Cover
21	75430	1	O-Ring
22	76291	3	Socket Head Cap Screw
23	75522	3	Lock Washer
24	76201	1	O-Ring
25	75680	4	Socket Head Cap Screw
26	75531	4	Conical Spring Washer
27	75975	1	Exciter Shaft
28	75984	2	Exciter Weight
29	76295	2	Socket Head Cap Screw
30	75525	2	Lock Washer
31	75239	1	Gear
32	75478	1	Key
33	75500	2	Retaining Ring
34	75309	3	Bearing Cover
35	75430	3	O-Ring
36	75527	6	Lock Washer
37	75733	6	Hexagon Head Cap Screw
38	75766	3	Countersunk Screw
39	75979	1	Exciter Shaft
40	75311	1	Gear

Item #	Part #	Qty	Description
41	75272	1	Adjusting Wheel
42	75477	1	Key, Hardened
43	75506	1	Retaining Ring
44	75408	2	Axial Bearing Washer
45	76213	2	Retaining Ring
46	75976	1	Guide Piston
47	75783	1	Threaded Pin
48	75538	1	Cylindrical Pin
49	75241	2	Piston
50	75398	4	Groove Ball Bearing
51	75771	2	Hexagon Nut
52	75491	2	Retaining Ring
53	75431	2	O-Ring
54	75448	2	Piston Packing
55	75985	2	Exciter Weight
56	76296	2	Socket Head Cap Screw
57	75525	2	Lock Washer
58	75244	2	Shift Cover
59	75561	2	Sealing Plug
60	75430	2	O-Ring
61	75527	6	Lock Washer
62	75733	6	Hexagon Head Cap Screw
63	75557	2	Male Stud Coupling
64	75978	1	Cover
65	75527	16	Lock Washer
66	75733	16	Hexagon Head Cap Screw
67	75936	1	Hexagon Head Cap Screw
68	75452	1	Joint Washer
69	75310	1	Oil Measuring Rod
70	76206	1	Joint Washer
71	75671	1	Screw Plug
72	75456	1	Joint Washer
73	75654	4	Closing Plug
74	75968	1	Cover
75	75970	1	Cover
76	75971	1	Cover
77	75673	2	Socket Head Cap Screw
78	76207	2	Joint Washer
79	75556	4	Cover Lid
80	75725	14	Hexagon Head Cap Screw

STANLEY®

Stanley Hydraulic Tools
3810 SE Naef Road
Milwaukie, Oregon 97267-5698 USA
(503) 659-5660 / Fax (503) 652-1780
www.stanleyhydraulics.com