

STANLEY®

SRP 3050 COMPACTION REVERSIBLE PLATE



SRP 3050

PARTS MANUAL



© 2015 Stanley Black & Decker, Inc.
New Britain, CT 06053
U.S.A.
76409 5/2017 Ver 5

TABLE OF CONTENTS

MACHINE INFORMATION	3
ADHESIVES	4
PARTS SRP 3050.....	5 THRU 13
TRANSPORTATION WHEELS.....	14 -15
DECALS	16
MAINTENANCE KIT.....	17
WEAR PARTS KIT, SPRING ELEMENT	18
WEAR PARTS KIT, BASE PLATE	19
WEAR PARTS KIT, PISTON.....	20
WEAR PARTS KIT, CONTROL BLOCK.....	21
WEAR PARTS KIT, EXCITER	22
REPLACEMENT PARTS EXCITER	23

IMPORTANT

To fill out a Product Warranty Validation form, and for information on your warranty, visit Stanleyhydraulics.com and select the Company tab, Warranty.
(NOTE: The warranty Validation record must be submitted to validate the warranty).

SERVICING: This manual contains spare parts. Stanley Hydraulic Tools recommends that servicing this machine, other than routine maintenance, must be performed by an authorized and certified dealer. Please read the following warning.

⚠ WARNING

SERIOUS INJURY OR DEATH COULD RESULT FROM THE IMPROPER REPAIR OR SERVICE OF THIS TOOL.

REPAIRS AND / OR SERVICE TO THIS TOOL MUST ONLY BE DONE BY AN AUTHORIZED AND CERTIFIED DEALER.

For the nearest authorized and certified dealer, call Stanley Hydraulic Tools at the number listed on the back of this manual and ask for a Customer Service Representative.

MACHINE INFORMATION



These instructions include:

- Safety regulations
- Operating instructions
- Maintenance instructions

These instructions are intended to simplify operation of the machine and to avoid malfunctions through improper operation. Observing the maintenance instructions will increase the reliability and service life of the machine when used on the construction site and reduce repair costs and downtimes.

Always keep these instructions at the place of use of the machine.

Only operate the machine as instructed and follow these instructions.

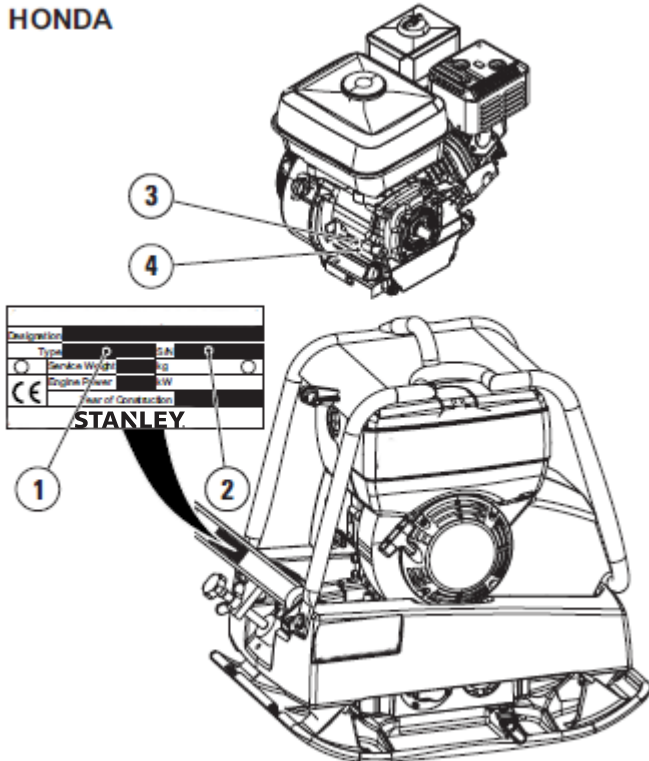
Do not fail to comply with the safety provisions, as well as the rules for safety and health protection at work as well as the applicable accident prevention regulations. Also observe the corresponding rules and regulations valid in your state and or country.

Stanley is not liable for the function of the machine when used in an improper manner and for other than the intended purpose.

Operating errors, improper maintenance and the use of incorrect operating materials are not covered by the warranty.

The above information does not extend the warranty and liability conditions of business of Stanley.

HONDA



We reserve the right to make changes due to technical development without announcement.

PLEASE ENTER (DATA ON MACHINE TYPE PLATE)

1. MACH.-TYPE: _____

2. MACH.-NO.: _____

3. ENGINE-TYPE: _____

4. ENGINE-NO.: _____

Stanley Hydraulic Tools
3810 SE Naef Rd
Milwaukie, OR 97267
Ph: 503-659-5660
Fax: 503-652-1780

ADHESIVES

Sealing- and bonding adhesives

A1	1	2-9L0 00 002	Loctite 262	250 ml
A2	2	2-806 05 260	Loctite 5205	300 ml
A3	3	2-806 02 010	Shell Alvania R3	1.0 kg
A4	4	2-9IH 00 001	Epple 22	250 ml
A5	5	2-9K0 00 020	Klüber 46 MR401	0.75 kg
A6	6	2-806 05 060	Atmosit Compact	75 ml
A7	7	2-806 05 200	Sico Met 50	20 g
A8	8	2-806 05 170	Omni Visc 1002	
A9	9	2-806 02 050	Shell Alvania EP1	600 g
A10	10	2-806 05 310	Beta Link K1	
A11	11	2-806 03 017	Metaflux	
A12	12	2-806 05 290	Loctite 5910	300 ml
A13	13	2-9L0 00 001	Loctite Cleaner 7063	450 ml
A14	14	2-9L0 00 006	Loctite 221	50 ml
A15	15	2-806 05 090	Omni Visc 1050	50 ml
	16	2-9L000005	Loctite 638	250 ml

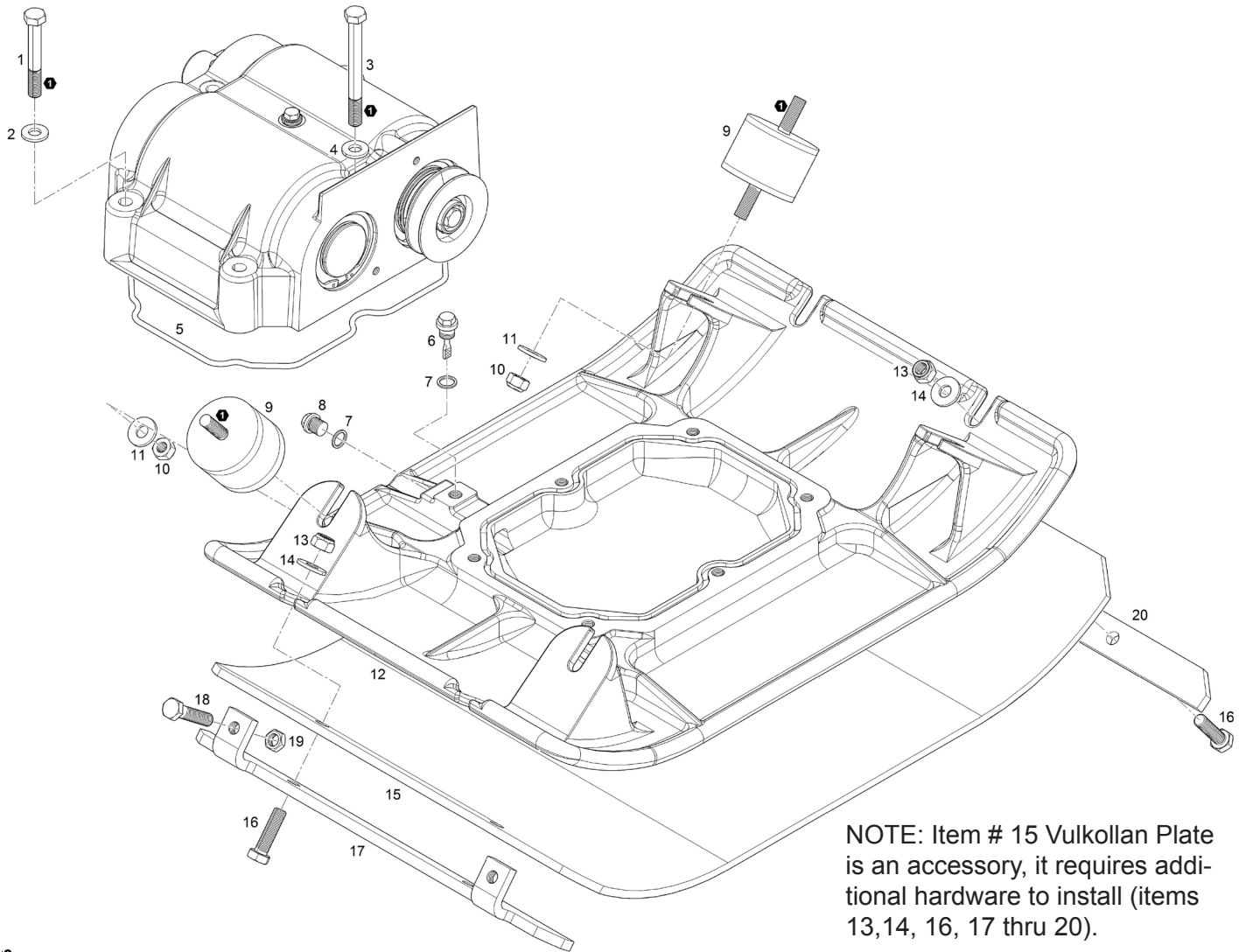
TAB01010.cdr

as specified in the individual exploded views

Conversion: Newton-Meters to in. lb. and ft. lb.

Nm	In. lb.	Ft. lb.
5	44.2	3.6
10	88.5	7.3
15	132	11.0
20	177	14.7
25	221.2	18.4
30	265.5	22.1
35	309.7	25.8
40	354	29.5
45	398.2	33.1
50	442	36.8
55	486.7	40.5
60	531	44.2

SRP 3050 PARTS

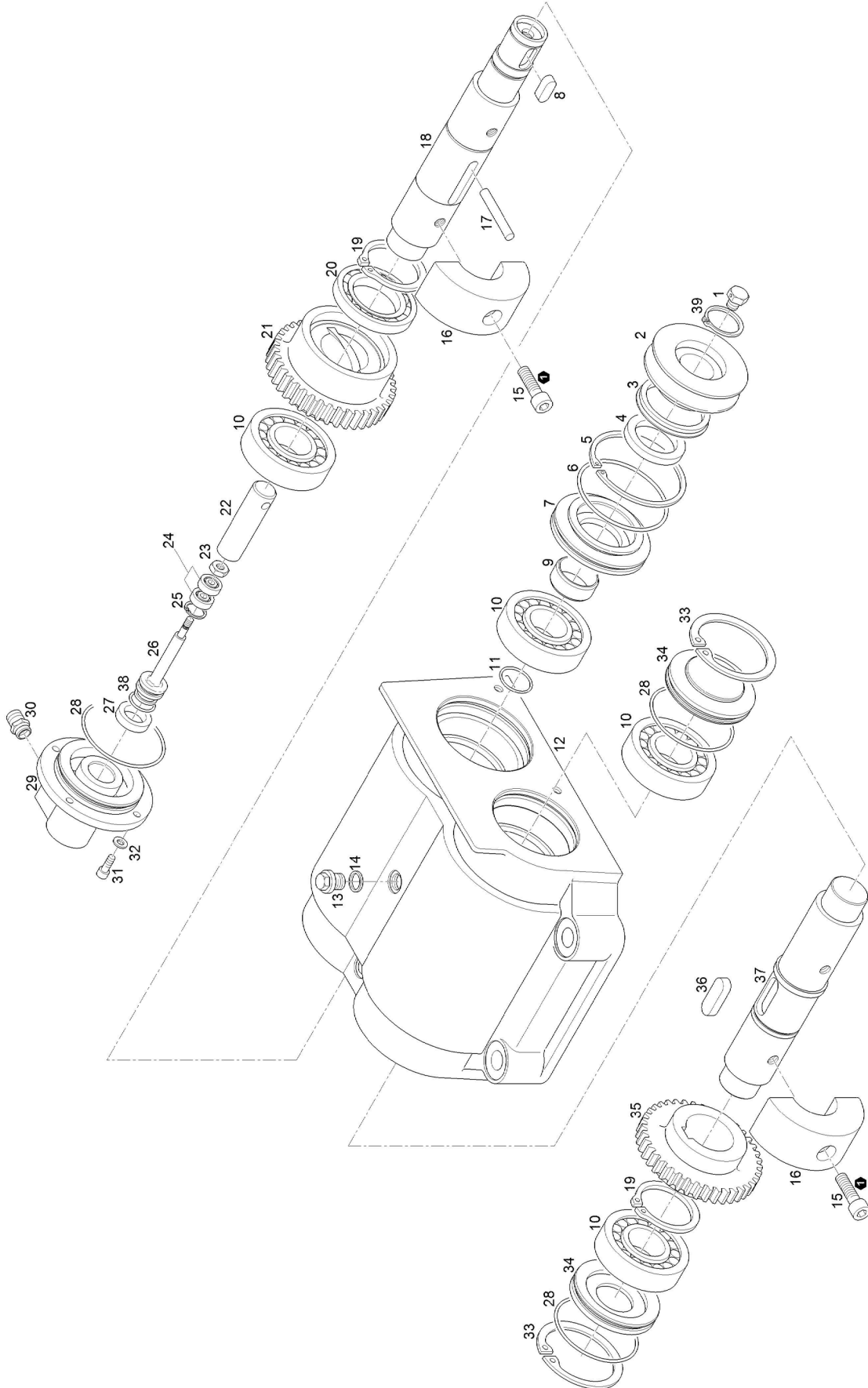


NOTE: Item # 15 Vulkollan Plate is an accessory, it requires additional hardware to install (items 13,14, 16, 17 thru 20).

Item #	Part #	Qty	Description
1	76402	4	Hexagon Head Cap Screw
2	76359	4	Washer
3	76390	2	Hexagon Head Cap Screw
4	76383	2	Washer
5	76377	1	O-Ring
6	75211	1	Oil Measuring Plug
7	75453	2	Joint Washer
8	75672	1	Screw Plug
9	76380	4	Rubber Buffer
10	75755	4	Hexagon Nut

Item #	Part #	Qty	Description
11	75528	4	Conical Spring Washer
12	76348	1	Base Plate 500mm/19.6 in.
13	75755	4	Hexagon Nut
14	75528	4	Conical Spring Washer
15	76346	1	Vulkollan Plate 500mm (Requires Items 13, 14, 16, & 17-20 to install)
16	75716	4	Hexagon Head Cap Screw
17	76347	1	Clamping Piece
18	75739	2	Hexagon Head Cap Screw
19	75749	2	Hexagon Nut
20	75184	1	Flat Steel

SRP 3050 PARTS

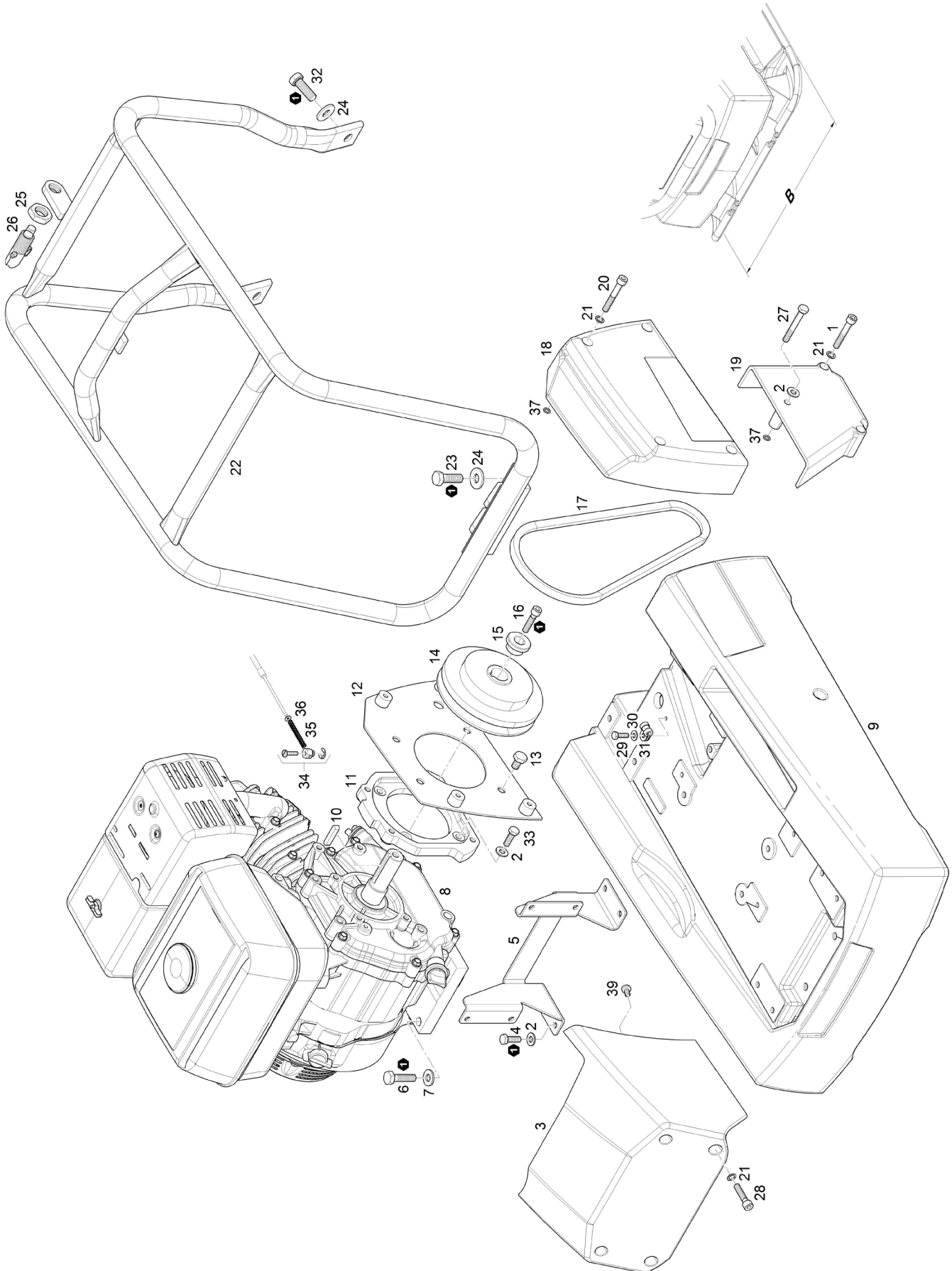


SRP 3050 PARTS

Item #	Part #	Qty	Description
1	75216	1	Venting Screw
2	75201	1	V-Belt Pulley
3	75443	1	V-Ring
4	75417	1	Shaft Sealing Ring
5	76382	1	Retaining Ring
6	76376	1	O-Ring
7	76353	1	Sealing Flange
8	75479	1	Key
9	75413	1	Internal Ring
10	76375	4	Cylindrical Roller Bearing
11	75425	1	O-Ring
12	76358	1	Exciter Housing
13	75672	1	Screw Plug
14	75453	1	Joint Washer
15	75696	4	Socket Head Cap Screw
16	76357	4	Excentric Weight 500mm
17	76384	1	Cylindrical Pin
18	76361	1	Exciter Shaft
19	75499	2	Retaining Ring
20	76374	1	Deep Groove Ball Bearing

Item #	Part #	Qty	Description
21	76355	1	Gear
22	75215	1	Guide
23	75772	1	Hexagon Nut
24	75402	2	Deep Groove Ball Bearing
25	75490	1	Retaining Ring
26	75218	1	Piston
27	75450	1	Piston Packing
28	76201	3	O-Ring
29	76352	1	Bearing Cover
30	76385	1	Male Stud Standpipe
31	75673	4	Socket Head Cap Screw
32	75520	4	Lock Washer
33	75486	2	Retaining Ring
34	76354	2	Sealing Flange
35	76356	1	Gear
36	76381	1	Key
37	76351	1	Exciter Shaft
38	75424	1	O-Ring
39	75496	1	Retaining Ring

SRP 3050 PARTS

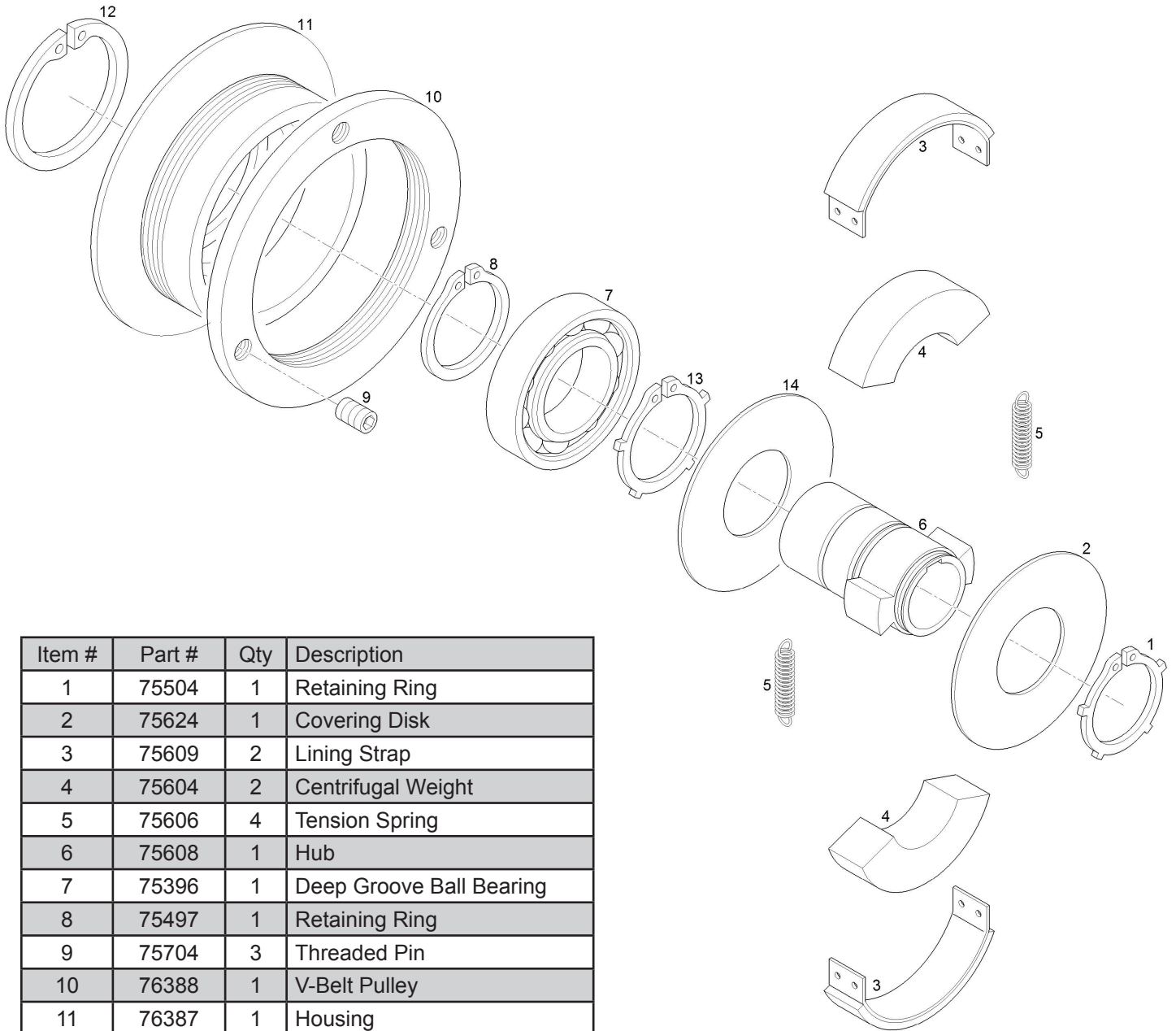


SRP 3050 PARTS

Item #	Part #	Qty	Description
1	75683	2	Socket Head Cap Screw
2	75531	9	Conical Spring Washer
3	76345	1	Front Panel
4	75725	4	Hexagonal Head Cap Screw
5	75219	1	Fastener
6	75712	4	Hexagonal Head Cap Screw
7	75530	4	Conical Spring Washer
8	75631	1	Engine
9	76363	1	Upper Part
10	75482	1	Key
11	75222	1	Distance Plate
12	75220	1	V-Belt Guard
13	75731	4	Hexagonal Head Cap Screw
14	76386	1	Centrifugal Clutch
15	76373	1	Bush
16	76389	1	Socket Head Cap Screw
17	76379	1	V-Belt 500mm
18	75248	1	V-Belt Guard

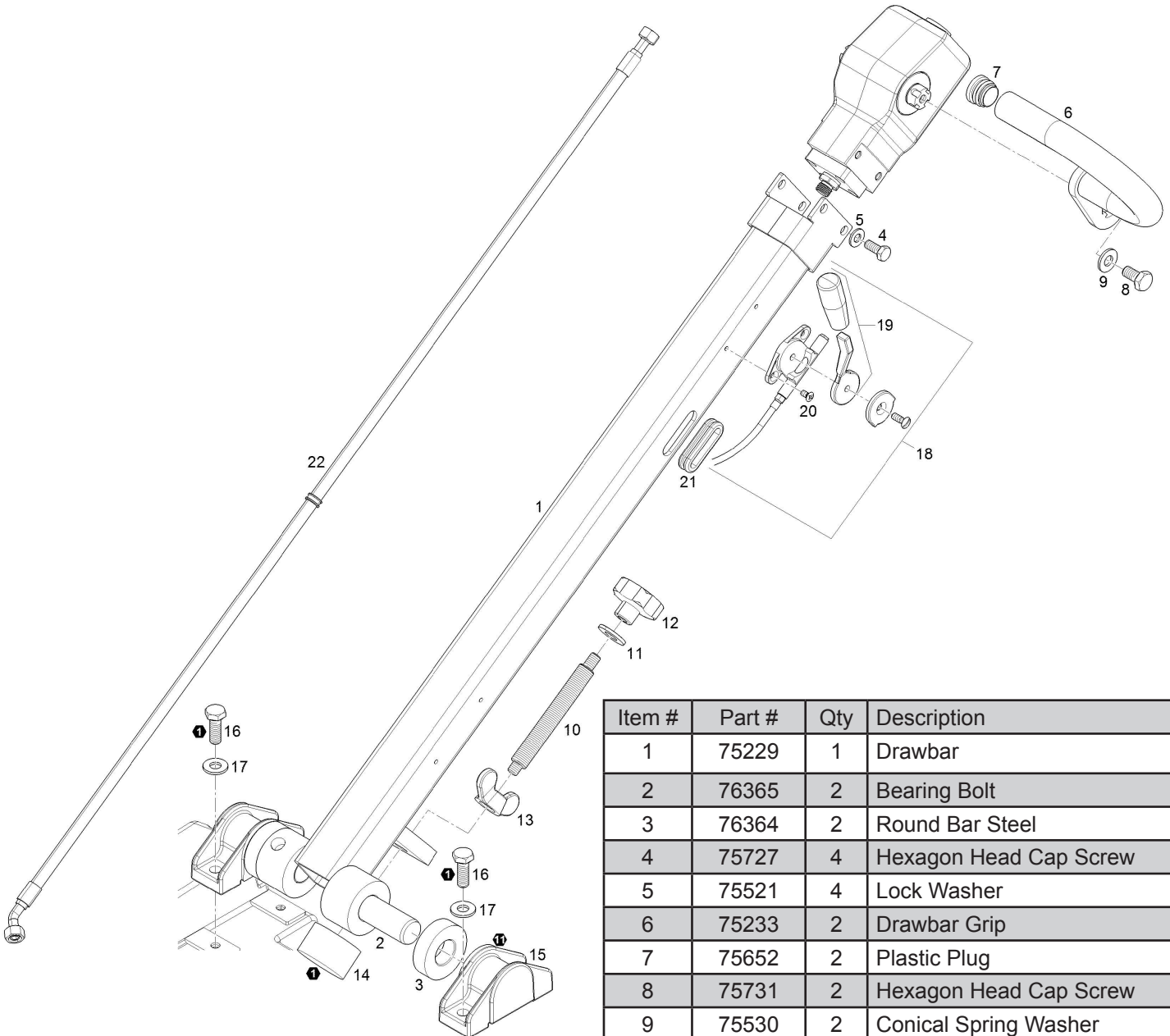
Item #	Part #	Qty	Description
19	75220	1	V-Belt Guard
20	75685	4	Socket Head Cap Screw
21	75521	10	Lock Washer
22	76362	1	Hoop Guard
23	75736	4	Hexagonal Head Cap Screw
24	75528	4	Conical Spring Washer
25	75750	1	Hexagonal Nut
26	75639	1	Locking Bolt (Includes item 25)
27	75711	1	Hexagonal Head Cap Screw
28	75681	4	Socket Head Cap Screw
29	76391	1	Hexagonal Head Cap Screw
30	75520	1	Lock Washer
31	75543	1	Pipe Retaining Clip
32	75738	2	Hexagonal Head Cap Screw
33	75728	2	Hexagonal Head Cap Screw
34	75634	1	Fastener Bowden Control Cable
35	75536	1	Pressure Spring
36	75510	1	Washer
37	75433	4	O-Ring

SRP 3050 PARTS



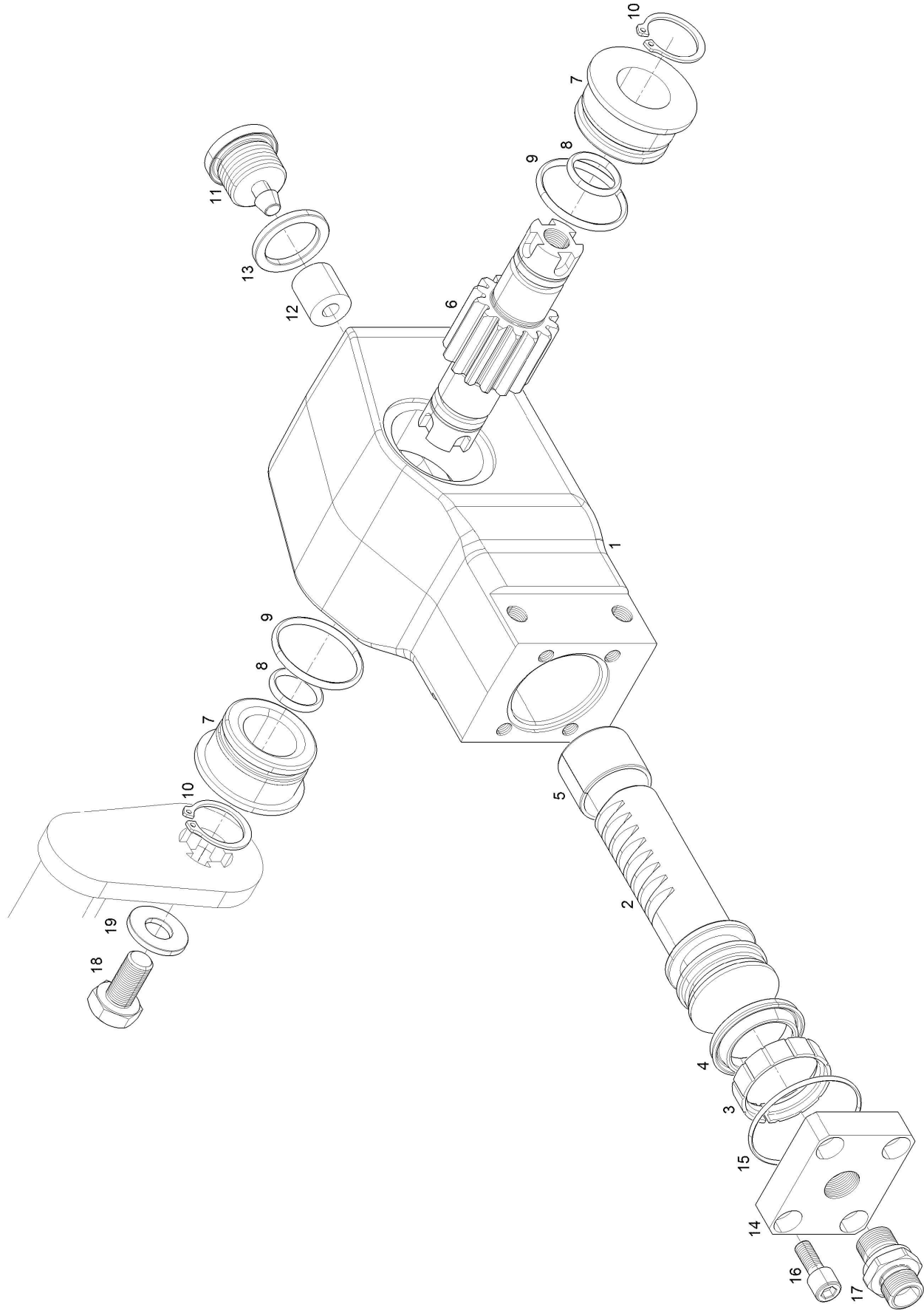
Item #	Part #	Qty	Description
1	75504	1	Retaining Ring
2	75624	1	Covering Disk
3	75609	2	Lining Strap
4	75604	2	Centrifugal Weight
5	75606	4	Tension Spring
6	75608	1	Hub
7	75396	1	Deep Groove Ball Bearing
8	75497	1	Retaining Ring
9	75704	3	Threaded Pin
10	76388	1	V-Belt Pulley
11	76387	1	Housing
12	75485	1	Retaining Ring
13	75501	1	Retaining Ring
14	75623	1	Covering Disk

SRP 3050 PARTS



Item #	Part #	Qty	Description
1	75229	1	Drawbar
2	76365	2	Bearing Bolt
3	76364	2	Round Bar Steel
4	75727	4	Hexagon Head Cap Screw
5	75521	4	Lock Washer
6	75233	2	Drawbar Grip
7	75652	2	Plastic Plug
8	75731	2	Hexagon Head Cap Screw
9	75530	2	Conical Spring Washer
10	75223	1	Threaded Bolt
11	75530	1	Conical Spring Washer
12	75640	1	Star Grip
13	75770	1	Wing Nut
14	75468	1	Buffer Stop
15	75251	2	Drawbar Bearing
16	75734	4	Hexagon Head Cap Screw
17	75530	4	Conical Spring Washer
18	75642	1	Speed Control
19	75643	1	Lever Cpl.
20	75775	2	Countersunk Screw
21	75547	1	Rubber Bushing
22	75221	1	Hydraulic Hose

SRP 3050 PARTS

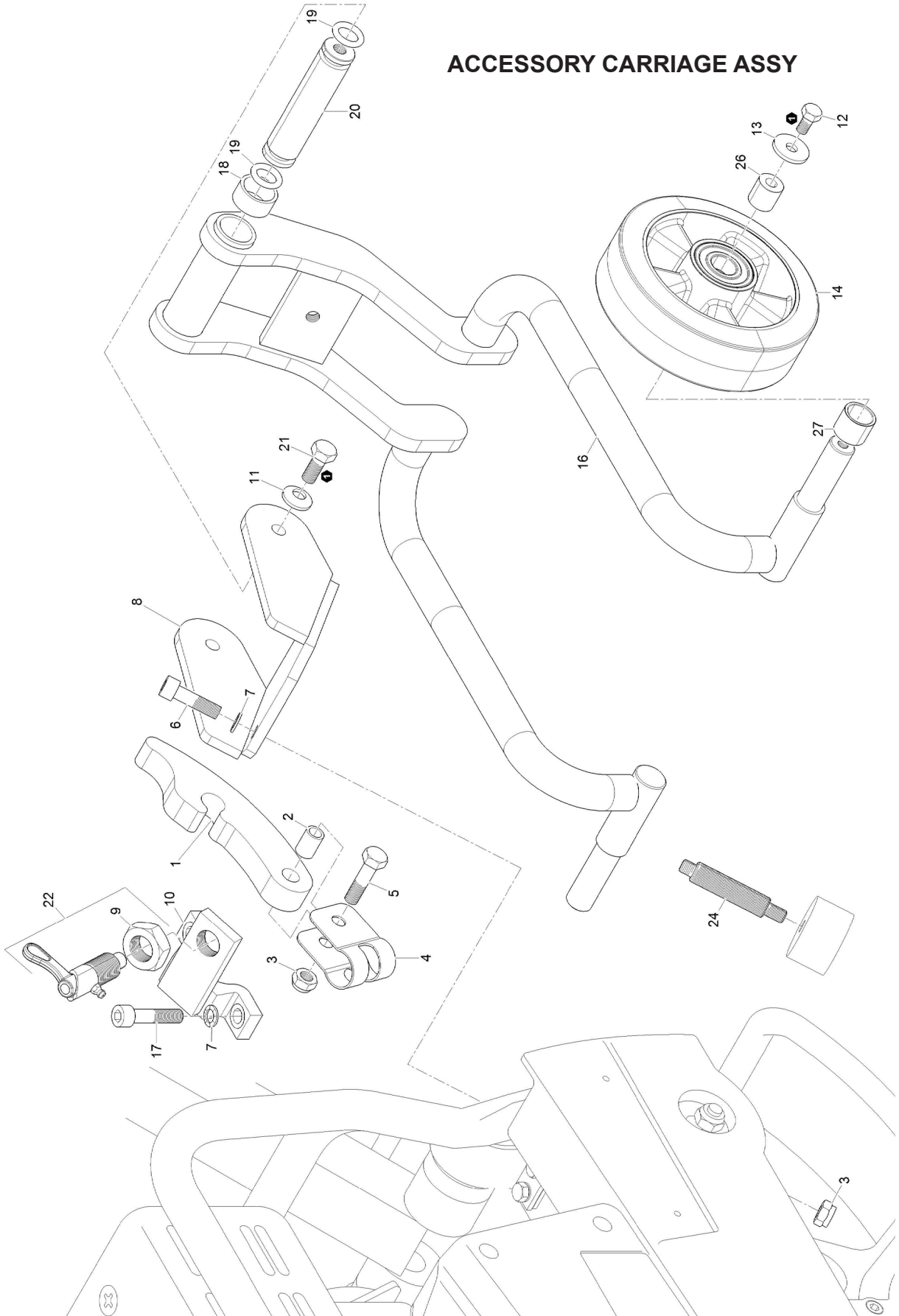


SRP 3050 PARTS

Item #	Part #	Qty	Description
1	75225	1	Drawbar Valve
2	75227	1	Piston Rod
3	75446	1	Guide Ring
4	75447	1	Piston Packing
5	75411	1	Bush
6	75230	1	Pinion Shaft
7	75228	2	Bush
8	75437	2	O-Ring
9	75425	2	O-Ring
10	75502	2	Retaining Ring
11	75231	1	Screw Plug
12	75232	1	Pipe Spring
13	75456	1	Joint Washer
14	75226	1	Valve Cover
15	75434	1	O-Ring
16	75673	4	Socket Head Cap Screw
17	75557	1	Male Stud Coupling
18	75731	2	Hexagon Head Cap Screw
19	75530	2	Conical Spring Washer

SRP 3050 ACCESSORY, TRANSPORTATION WHEELS

ACCESSORY CARRIAGE ASSY

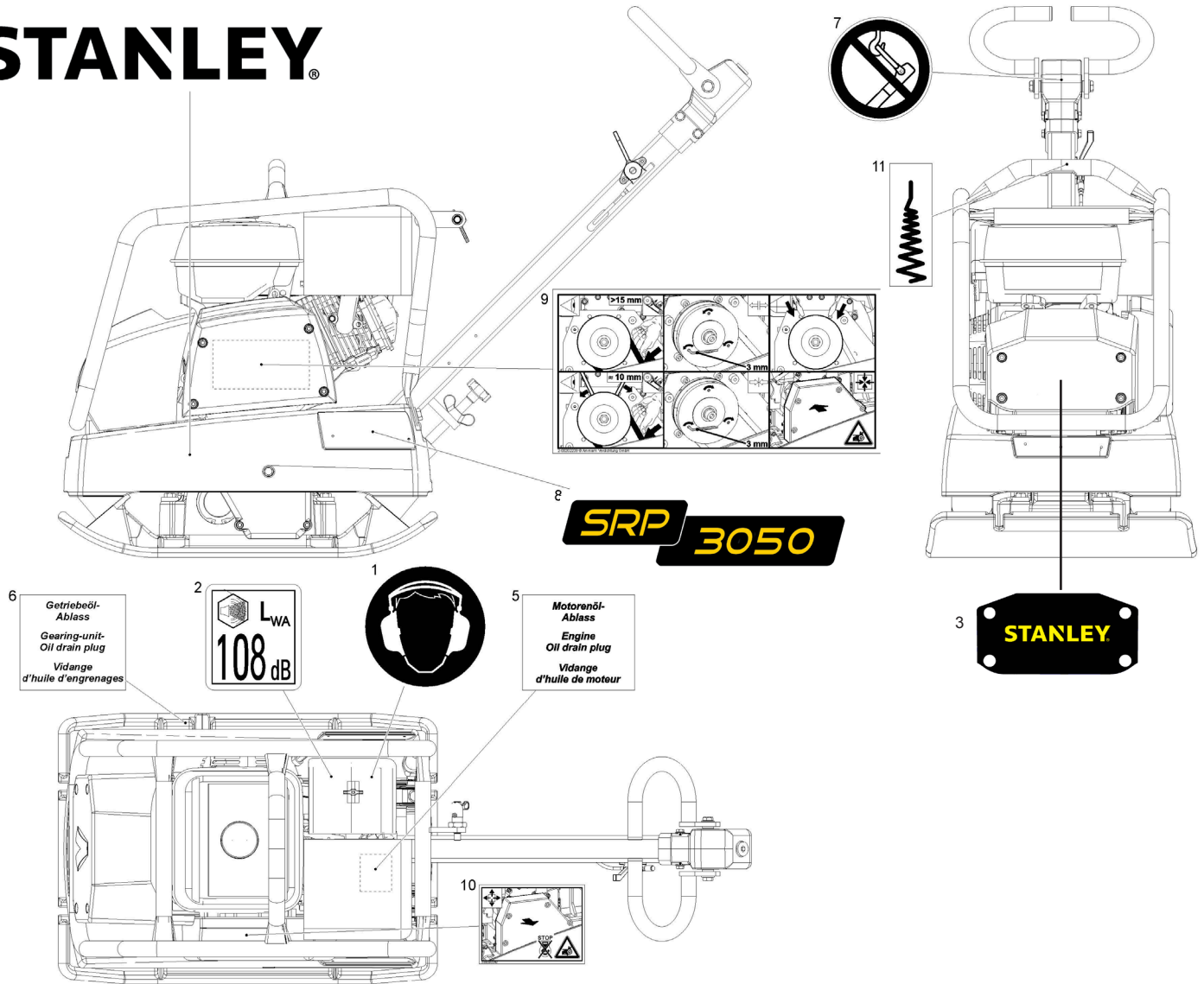


SRP 3050 TRANSPORTATION WHEELS

Item #	Part #	Qty	Description
1	75182	1	Clamp
2	75163	1	Bush
3	75754	1	Hexagon Nut
4	76367	1	Pipe Clip
5	75712	1	Hexagon Head Cap Screw
6	75688	2	Socket Head Cap Screw
7	75522	4	Lock Washer
8	76370	1	Holder
9	75750	1	Hexagon Nut
10	76368	1	Bearing stand
11	75530	2	Conical Spring Washer
12	75730	2	Hexagon Head Cap Screw
13	75515	2	Washer
14	75636	2	Wheel
16	76369	1	Carriage
17	75689	2	Socket Head Cap Screw
18	75412	2	Bush
19	75421	2	O-Ring
20	76366	1	Round Bar Steel
21	75733	2	Hexagon Head Cap Screw
22	75639	1	Locking Bolt (Includes item 9)
24	75224	1	Thread Rod
26	76371	2	Bush
27	76372	2	Bush
28	76401	1	Carriage Assembly Includes Items 1-27)

SRP 3050 DECALS

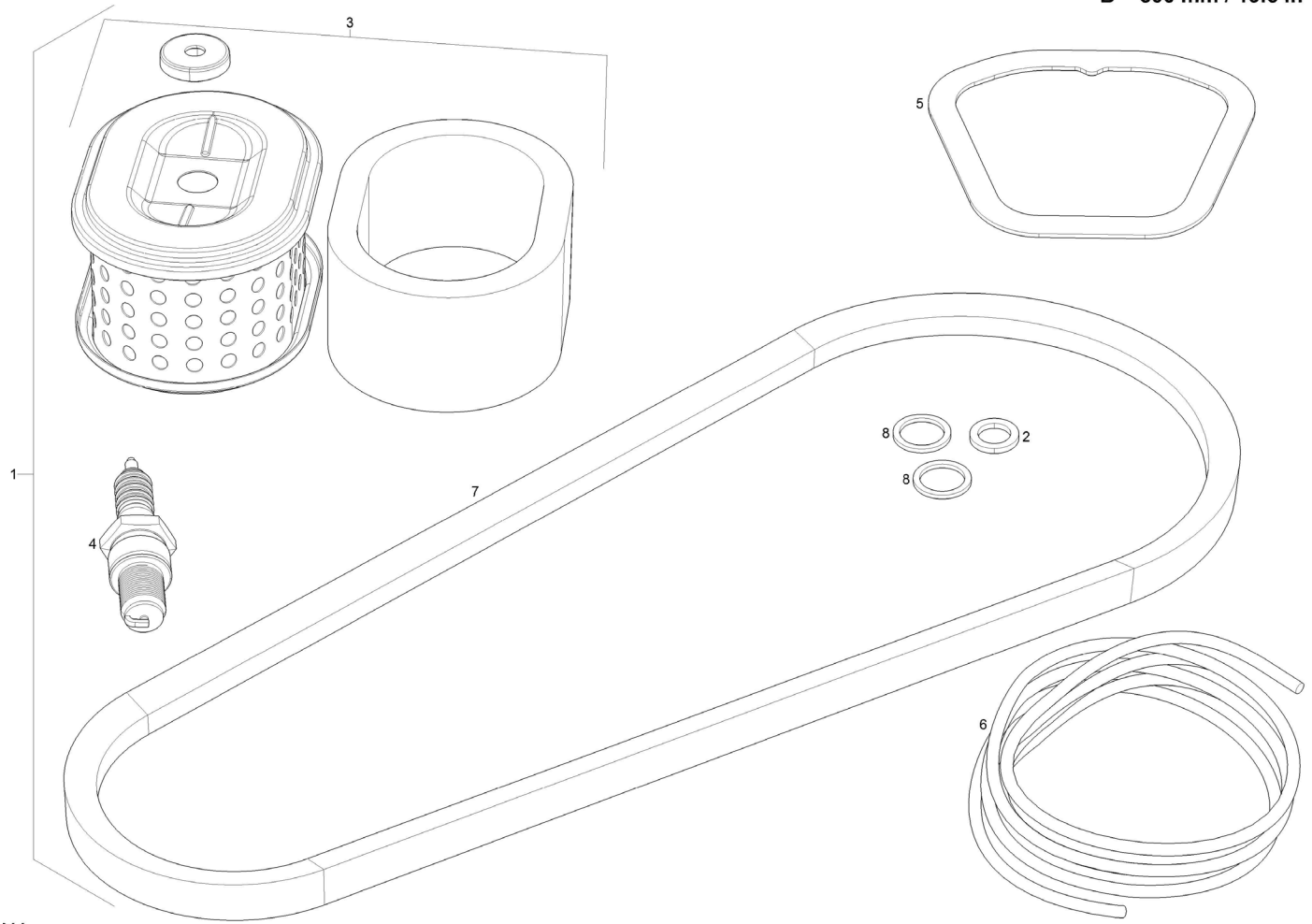
4 **STANLEY®**



Item #	Part #	Qty	Description
1	75103	1	Decal (Hearing Protection)
2	75099	1	Decal (Sound Level)
3	76508	1	Decal (Front Panel w/Stanley Logo)
4	74909	2	Stanley Logo
5	75909	1	Decal (Engine Oil Drain Plug)
6	75910	1	Decal (Gearing-Unit Oil Drain Plug)
7	75098	1	Decal (Do Not Lift)
8	76344	2	SRP3050 Model Decal
9	75094	1	Decal (Belt Tension)
10	75095	1	Decal (Belt Cover)
11	75093	1	Decal (Throttle)

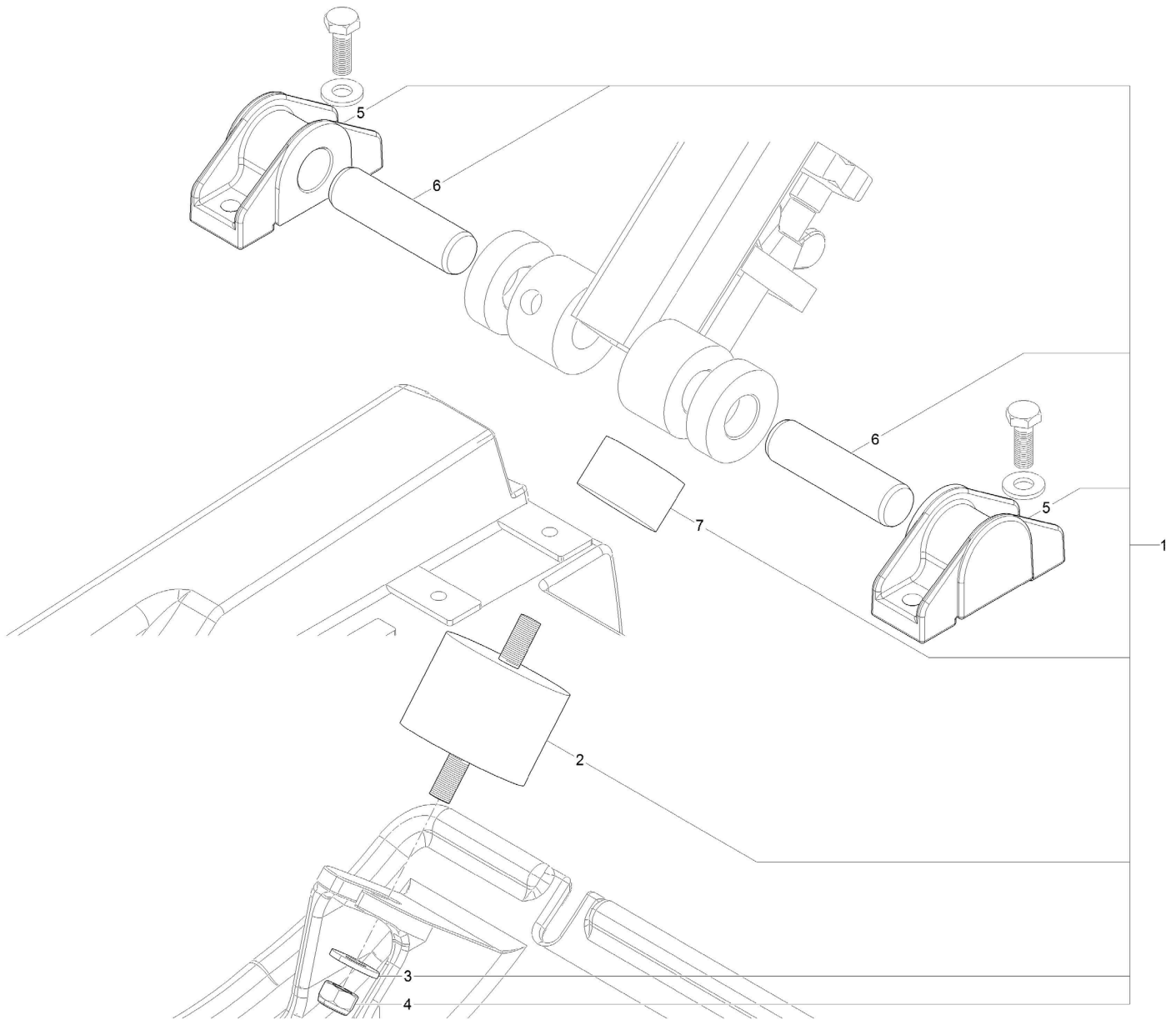
SRP 3050 MAINTENANCE KIT

B = 500 mm / 19.6 in



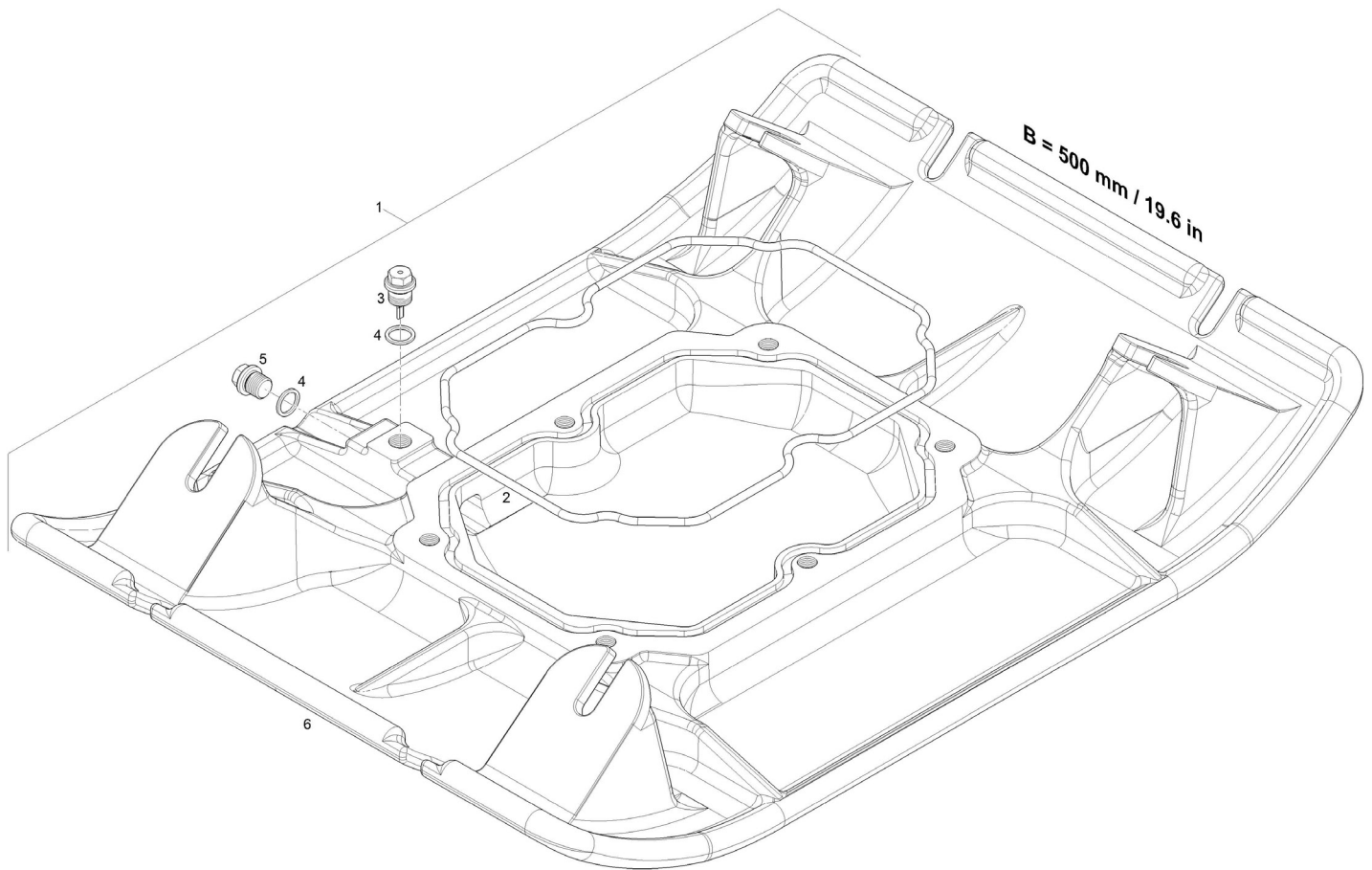
Item #	Part #	Qty	Description
1	76393	1	Maintenance Kit 500mm / 19.6 in (Includes Items 2-8)
2	75874	1	Washer
3	75573	1	Air Filter
4	75876	1	Spark Plug
5	75861	1	Valve Cover Gasket
6	75868	1	Starter Rope
7	76379	1	V-Belt
8	75453	2	Joint Washer

SRP 3050 WEAR PARTS KIT, SPRING ELEMENT



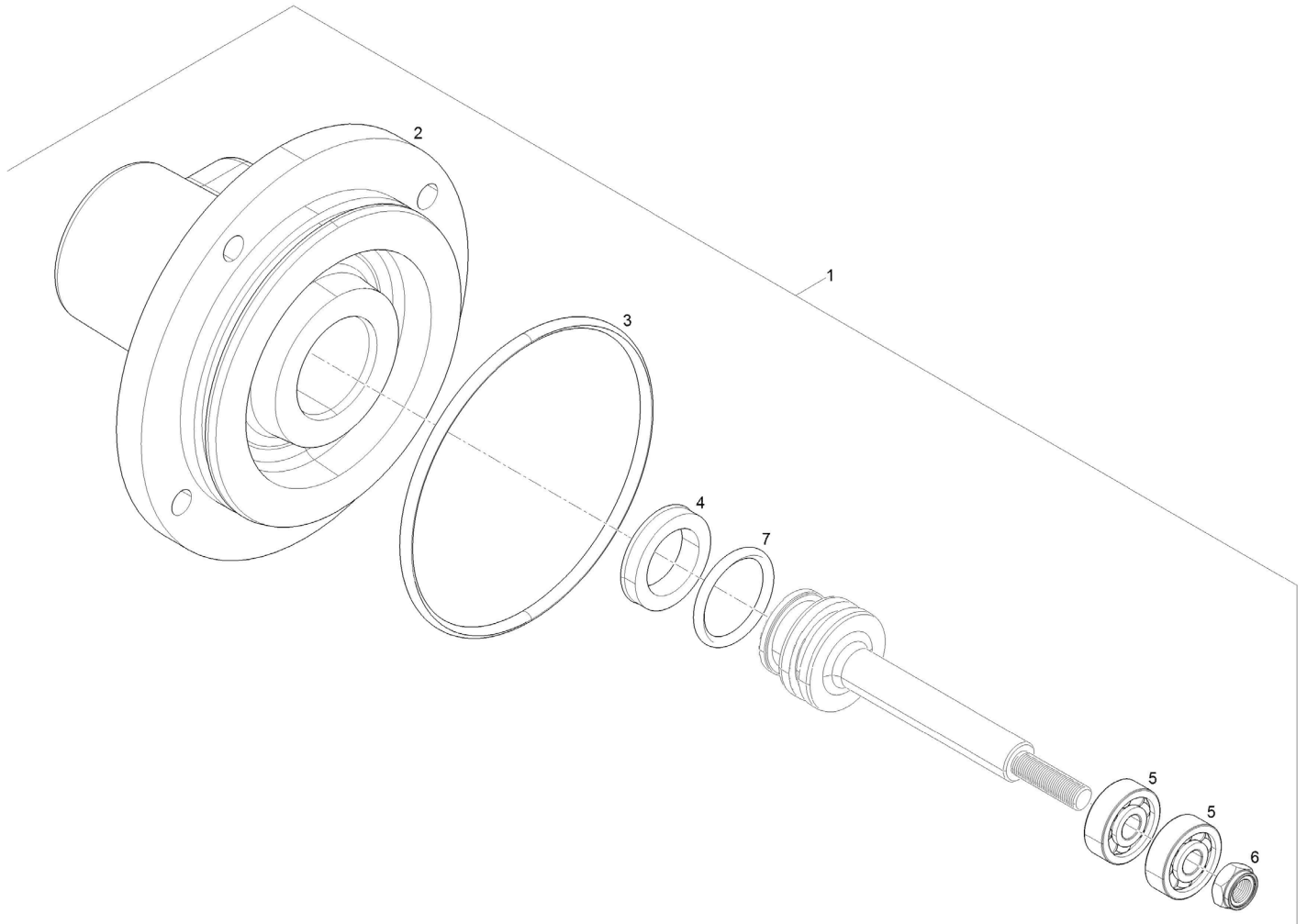
Item #	Part #	Qty	Description
1	76397	1	Wear Parts Kit Spring Element (Includes Items 2-7)
2	76380	4	Rubber Buffer
3	75755	4	Hexagon Nut
4	75528	4	Conical Spring Washer
5	75251	2	Drawbar Bearing
6	76365	2	Bearing Bolt
7	75468	1	Buffer Stop

SRP 3050 WEAR PARTS KIT, BASE PLATE



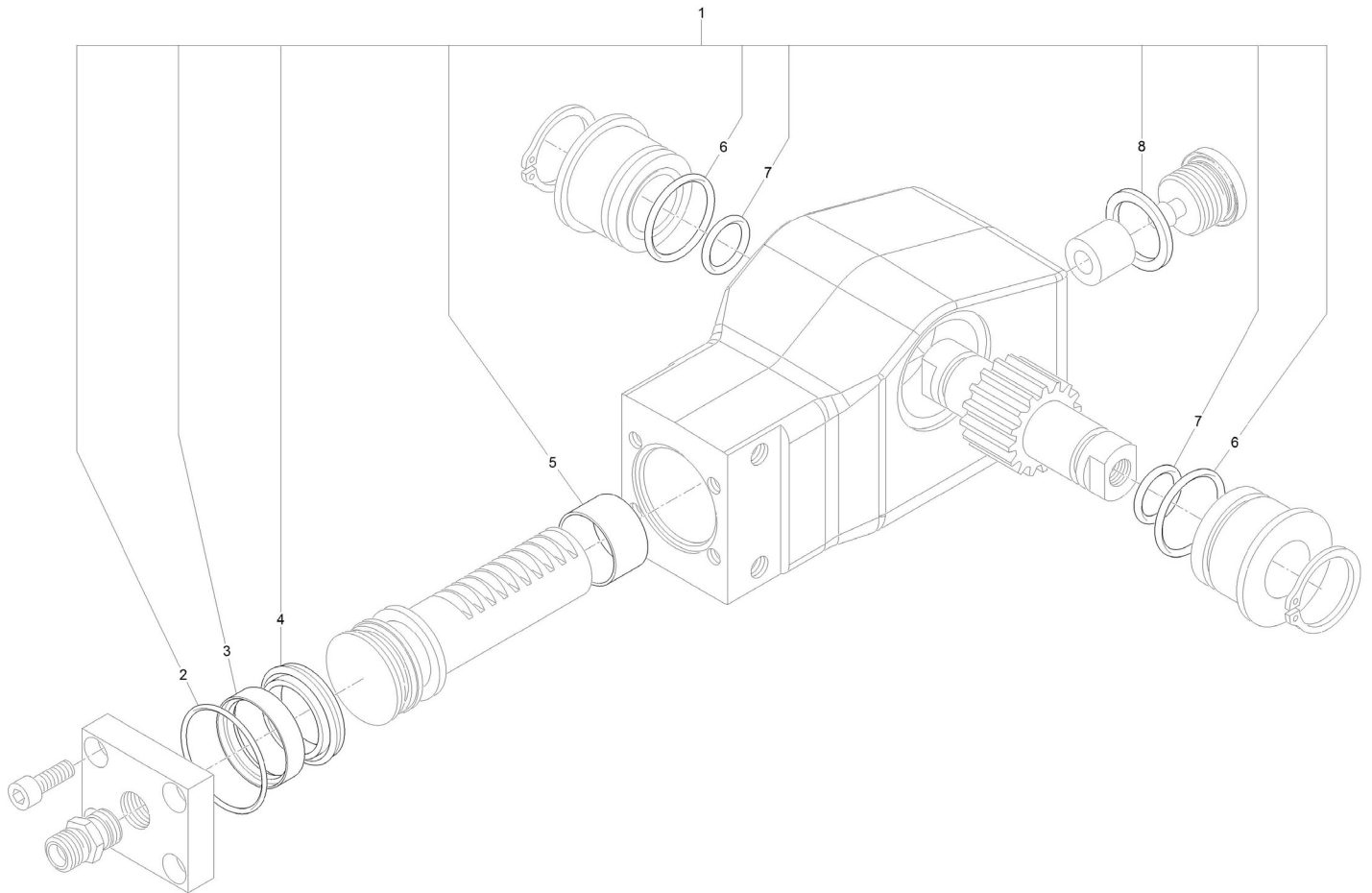
Item #	Part #	Qty	Description
1	76398	1	Wear Parts Kit Base Plate (500 mm / 19.6 in) (Includes Items 2-6)
2	76377	1	O-Ring
3	75211	1	Oil Measuring Rod
4	75453	2	Joint Washer
5	75672	1	Screw Plug
6	76348	1	Base Plate

SRP 3050 WEAR PARTS KIT, PISTON



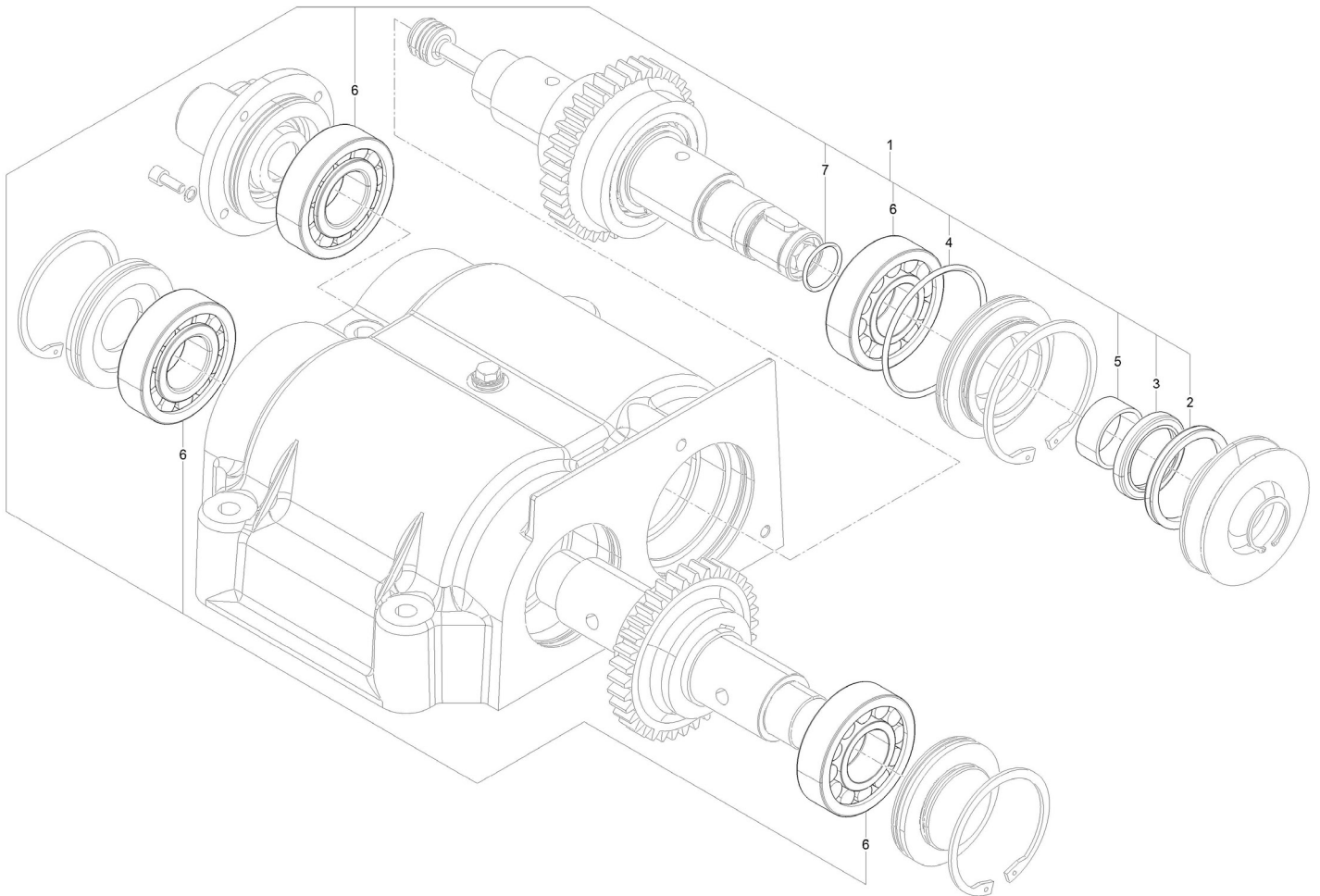
Item #	Part #	Qty	Description
1	76400	1	Wear Parts Kit Piston (Includes Items 2-7)
2	76352	1	Shift Cover
3	76201	1	O-Ring
4	75450	1	Piston Packing
5	75402	2	Groove Ball Bearing
6	75772	1	Hexagon Nut
7	75424	1	O-Ring

SRP 3050 WEAR PARTS KIT, CONTROL BLOCK



Item #	Part #	Qty	Description
1	75846	1	Wear Parts Kit Control Block (Includes Items 2-8)
2	75434	1	O-Ring
3	75446	1	Guide Ring
4	75447	1	Piston Packing
5	75411	1	Bush
6	75425	2	O-Ring
7	75437	2	O-Ring
8	75456	1	Joint Washer

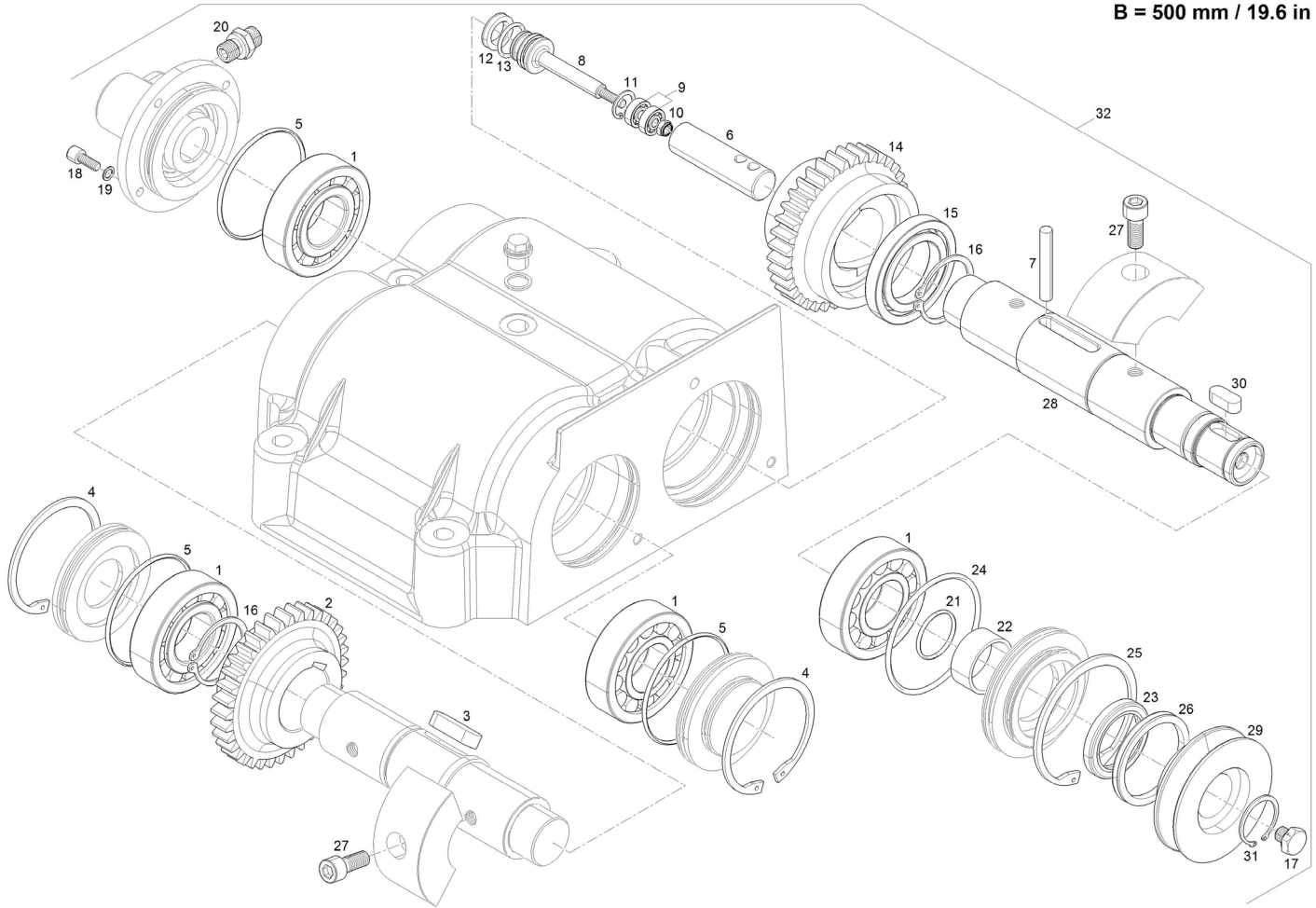
SRP 3050 REPAIR KIT EXCITER



Item #	Part #	Qty	Description
1	76392	1	Repair Kit Exciter (Includes Items 2-7)
2	75443	1	V-Ring
3	75417	1	Shaft Sealing Ring
4	76376	1	O-Ring
5	75413	1	Internal Ring
6	76375	4	Cylindrical Roller Bearing
7	75425	1	O-Ring

SRP 3050 REPLACEMENT PARTS, EXCITER

B = 500 mm / 19.6 in



Item #	Part #	Qty	Description
1	76375	4	Cylindrical Roller Bearing
2	76356	1	Gear
3	76381	1	Key
4	75486	2	Retaining Ring
5	76201	3	O-Ring
6	75215	1	Guide
7	76384	1	Cylindrical Pin
8	75218	1	Piston
9	75402	2	Groove Ball Bearing
10	75772	1	Hexagon Nut
11	75490	1	Retaining Ring
12	75450	1	Piston Packing
13	75424	1	O-Ring
14	76355	1	Gear
15	76374	1	Groove Ball Bearing
16	75499	2	Retaining Ring

Item #	Part #	Qty	Description
17	75216	1	Air Relief Screw
18	75673	4	Socket Head Cap Screw
19	75520	4	Lock Washer
20	76385	1	Male Stud Coupling
21	75425	1	O-Ring
22	75413	1	Internal Ring
23	75417	1	Shaft Sealing Ring
24	76376	1	O-Ring
25	76382	1	Retaining Ring
26	75443	1	V-Ring
27	75696	4	Socket Head Cap Screw
28	76361	1	Exciter Shaft
29	75201	1	V-Belt Pulley
30	75479	1	Key
31	75496	1	Retaining Ring
32	76395	1	Replacement Part Exciter Assembly (500 mm / 19.6 in.) Includes Items 1-31)

STANLEY®

Stanley Hydraulic Tools
3810 SE Naef Road
Milwaukie, Oregon 97267-5698 USA
(503) 659-5660 / Fax (503) 652-1780
www.stanleyhydraulics.com