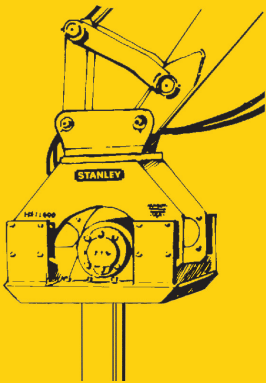
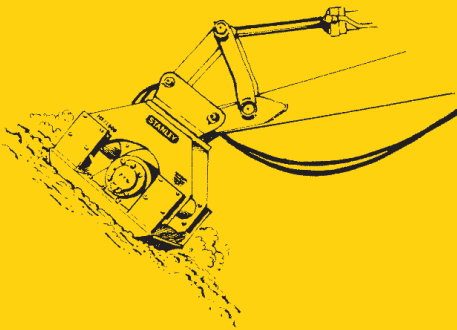


HSX100 MOUNTED CARRIER ATTACHMENTS
2014 VIBRATORY PLATE COMPACTORS

www.stanleyhydraulic.com



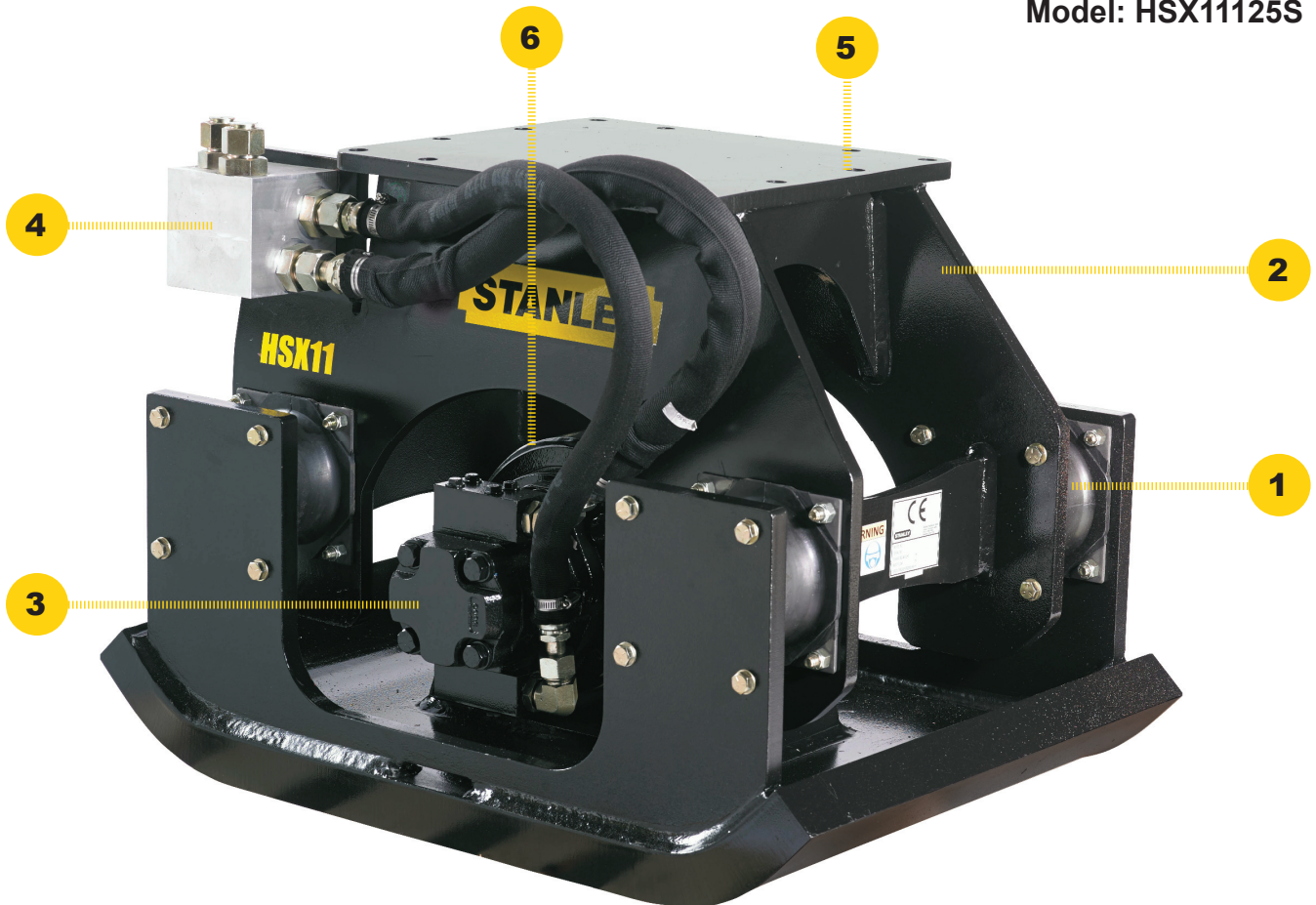
STANLEY[®]
PERFORMANCE IN ACTION[™]

CONTENT

HSX Product Features.....	3
Application Overview.....	4
Attachment Sizing.....	5
Product Information.....	6
Product Ordering.....	7
Mounting Attachments.....	8
Pin On Dimensions.....	9
Top Dimensions.....	10
Top Dimensions.....	11



Model: HSX11125S



1 COMPACT

Unique frame construction provides a low profile design that enables four elastomer shock mounts located at each corner to distribute the vibration across the foot plate evenly.

2 DURABILITY

Rugged box construction withstands the harsh loading condition that offers trouble-free service.

3 RELIABILITY

Direct mounted splined motor shaft eliminates a connection point at the eccentric assembly.

4 PROTECTION

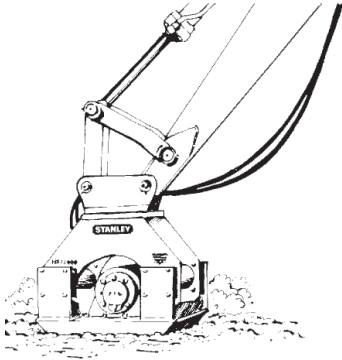
Remote mounted flow control maintains optimal motor RPM. The cross check valve manages surges and protects against accidental flow mishaps.

5 FLEXIBILITY

Wide range of mounting options are available for pin-on, skid steer or quick coupler configurations.

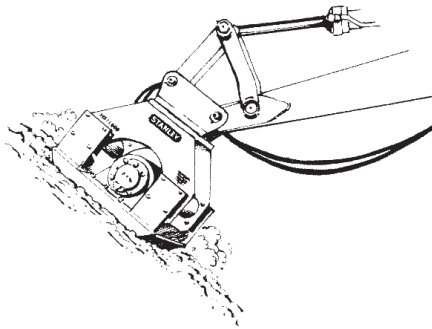
6 SERVICEABILITY

Compactors have a modular design that enables quick access to components, decreasing downtime and operational costs.



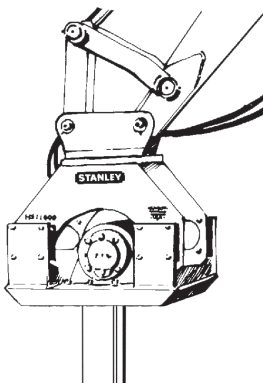
TRENCHING

Labor-intensive hand compaction techniques are no match for a Stanley Compactor. With a Stanley Vibratory Compactor, you won't have to shore the trench and you can compact 2 to 4 feet of backfill lift in one pass. Compare that to a 6-inch lift for hand-held units.



SLOPES

There is no better way to compact on inclines or hard-to-reach areas than with a Stanley Compactor. In areas where hand-held units can't work and are too steep for rollers, count on your Stanley Compactor.



PILE DRIVING

Driving piles is another application for your Stanley Compactor by putting it to work driving materials such as piles, posts, sheeting, I-beams, soldier piling, guard rail posts, and pipe, contact Stanley for additional details.

**HSX
SERIES**

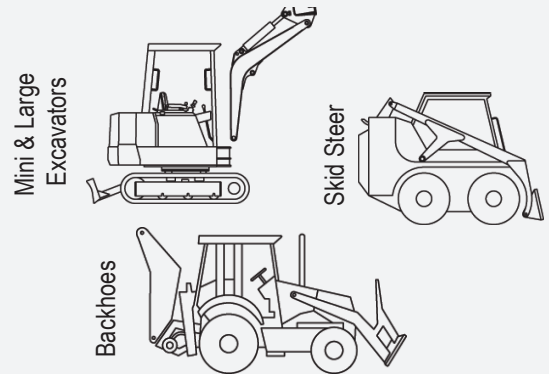




Using the carrier selection chart:

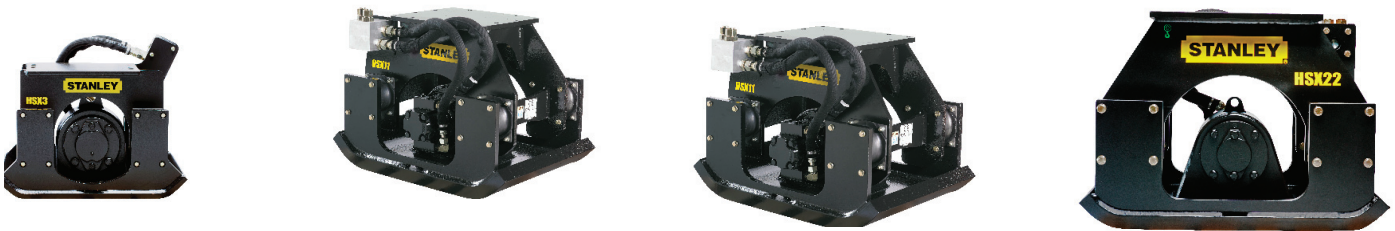
Choosing the right attachment is dependent upon two factors; application and available carrier.

Find your carrier weight in Tons according to the chart below. Use the shaded bars as a reference range in quickly matching your carrier to the corresponding mounted compactor series.



HSX Sizing Chart

		Carrier Weight in Tons																
		1	3	5	8	15	20	25	30	35	45	55	65	75	80	85	90	95
HSX3				2.5 ~ 6.5														
HSX6					4.5 ~ 15													
HSX11						8 ~ 27.5												
HSX22										27 ~ 71								



HSX Series Overview

	Unit	HSX3	HSX6	HSX11	HSX22
Centrifugal Force	lbs	3400	6400	11,350	22,000
	kg	1542	2902	5147	10,000
Vibrations Per Minute	vpm	2100	2000	2000	2100
Weight	lbs	370	850	1425	2200
	kg	168	386	646	998
Baseplate Size	in	18.8 x 20	23.5 x 26	27 x 30	32 x 42
	mm	442 x 508	600 x 660	686 x 762	813 x 1067
Flow Range	gpm	12-25	12-25	28-60	42-70
	lpm	45-95	45-95	106-227	159-265
Carrier Weight Class	lbs	5,000 - 13,000	9,000 - 30,000	16,000 - 55,000	54,000 - 142,000
	kg	2,268 - 5,897	4,082 - 13,608	7,257 - 24,948	24,494 - 64,410



Heavy-duty, Powerful Vibratory Compactors

Stanley's Advantage:

- Stanley mounted compactors provide a high level of centrifugal force ranging from 3,400 to 22,000 pounds.
- These units have more compaction force than a walk-behind plate compactor which eliminates the need for a person working down in the trench simplifying ease-of-use and operator comfort.
- Enhanced valve block cover provides additional protection from accidental mishaps.
- Hydraulic hoses are protected with a nylon sleeve cover and precisely routed near the frame to minimize movement and interference while on the job-site.
- Flat top models offer compatibility with many different mounting configurations to simplify your connection at the carrier.
- Each compactor has four heavy duty, industrial grade shock mounts that distribute vibration evenly. This delivers consistent force to improve the operator's efficiency and work quality.



Warranty

To provide peace of mind, every vibratory compactor comes with a one year warranty. Stanley's warranty is backed by an extensive service network to ensure maximum productivity, and uptime on the job-site.

Ordering Detail

Series	Order Number	Description	Weight (lbs)	Weight (kg)
HSX3	HSX3025S	2 1/4 pin holes, 9 and 14 inch spacing, 13 gpm, no boom pins**	370	168
	HSX3125S	Flat top design*, 13 gpm	360	163
HSX6	HSX6025S	2 1/4 pin holes, 14 inch spacing, 13 gpm, no boom pins**	825	374
	HSX6125S	Flat top design*, 13 gpm	850	385
HSX11	HSX11125S	Flat top design*, 30 gpm	1425	646
HSX22	HSX22125S	Flat top design*, 42 gpm	2200	998

Table details: * Mounting bracket not included, ** Requires mounting pak—sold separately

Note: For pile driving applications that require a bolt on solutions, contact the factory for specific details on mounting holes specifications.

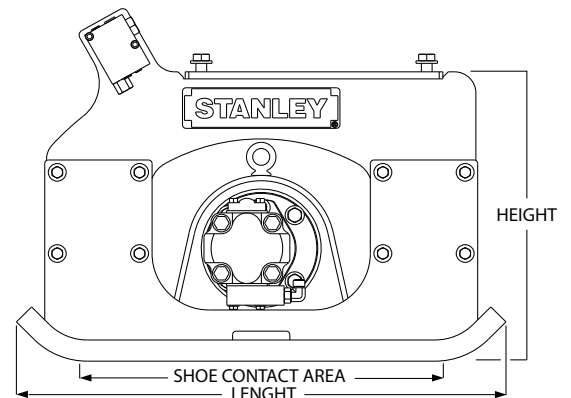
Technical Specifications

	Unit	HSX3	HSX6	HSX11	HSX22
Centrifugal Force	lbs	3400	6400	11,350	22,000
	kg	1542	2902	5147	10,000
Vibrations Per Minute	vpm	2100	2000	2000	2100
Hydraulic Pressure	psi	1600 - 2000	1800 - 2000	1800 - 2150	1800 - 2250
	bar	110-140	127-140	124-148	124-155
Flow Range	gpm	12-25	12-25	28-60	42-70
	lpm	45-95	45-95	106-227	159-265
System Relief	psi	2500	2500	2500	2500
	bar	172	172	172	172
Back Pressure (max)	psi	250	250	250	250
	bar	17	17	17	17

Dimensions

	Unit	HSX3	HSX6	HSX11	HSX22
Length	in	25.5	34	35	45
	mm	650	860	889	1143
Width	in	17.5	23.5	27	32
	mm	445	597	686	813
Height [^]	in	18.5	27.5	29	41.25
	mm	470	700	737	1048
Shoe Contact Area	in	17.5L x 20W	23.5L x 24W	27L x 30W	32L x 42W
	mm	445.5 x 508	597 x 610	686 x 762	813 x 1067

[^]Height dimension applies to the flat top models without any bracket dimensions.



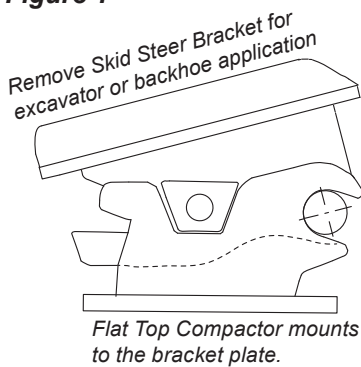
Custom Bracket Configurations

Mounting Brackets are primarily bolted to flat top tools, but can be a pin on configurations that adapts to the carrier boom directly or to a quick coupler. Custom brackets are fabricated to mount onto a wide range of OEM skid steers, excavators, or backhoes.

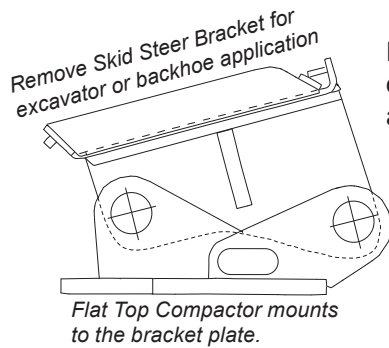
The Custom Combo Brackets are available upon request. These bracket configurations expand your versatility and are ideal for applications where the attachments are frequently switched between skid steers and excavators or backhoes.

Refer to Figure 1 below for combo bracket types.

Figure 1



For use on OEM or other Wedge Type Coupler application.



For use on Pin On or OEM Pin Grab applications.

When contacting the factory, ensure you have the following information below to enable us to accurately size your brackets to the carrier.

- Have the complete carrier model number, including any prefix or suffix.
- Indicate if the carrier has an OEM Pin Grab Quick Coupler already affixed.
- If the carrier has installed a different type of OEM or after-market Quick Coupler, what is the coupler brand, model, and type.

Mounting Pak Configurations

Stanley offers custom Mounting Pak's to fit any carrier for direct pin on application that has a boom width less than ten inches. Contact Stanley for customized carriers pin on configuration. Refer to Figure 2 for mounting pak details.

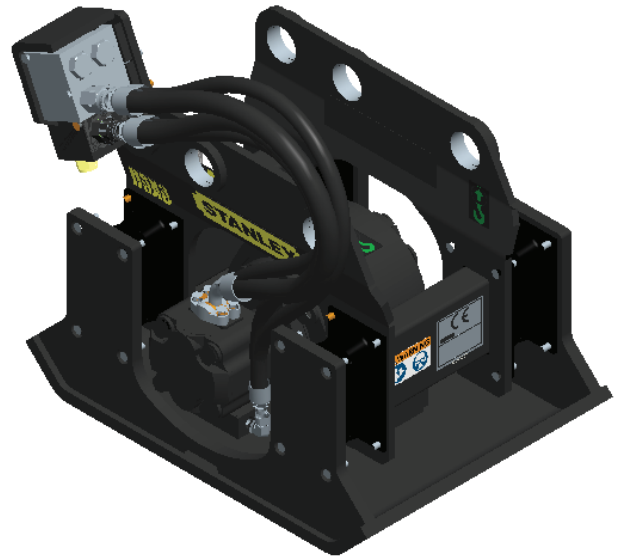
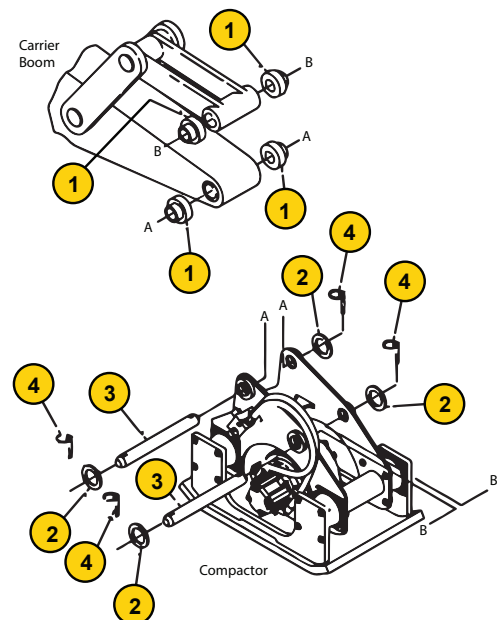


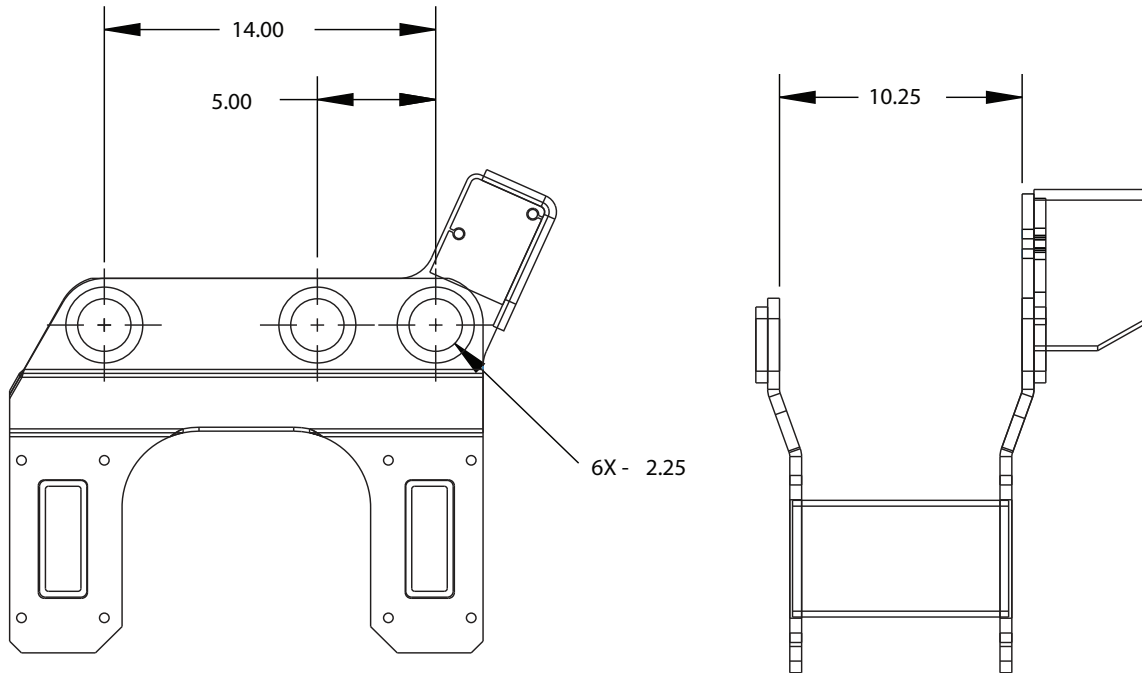
Figure 2

The illustration below represents the component location required for carrier installation. Stanley's Mounting PAK consists of boom pins (item 3), spacer bushings (item 1) washers (item 2) and retainer pins (item 4).



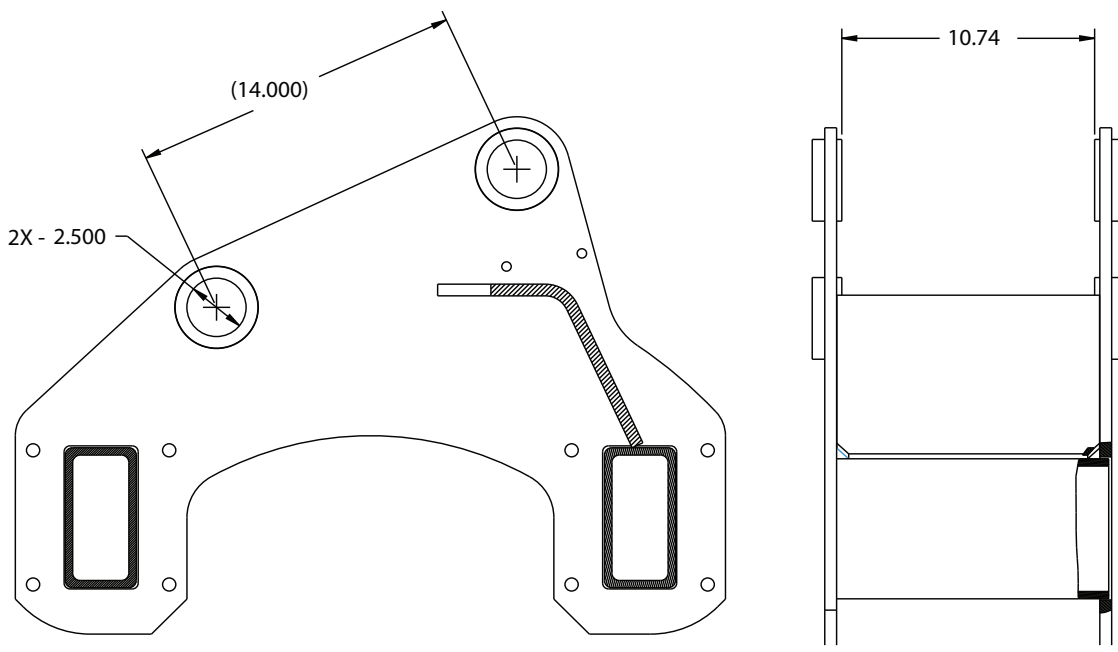
HSX3025S - Pin On Dimensions

Dimension shown is in inches.



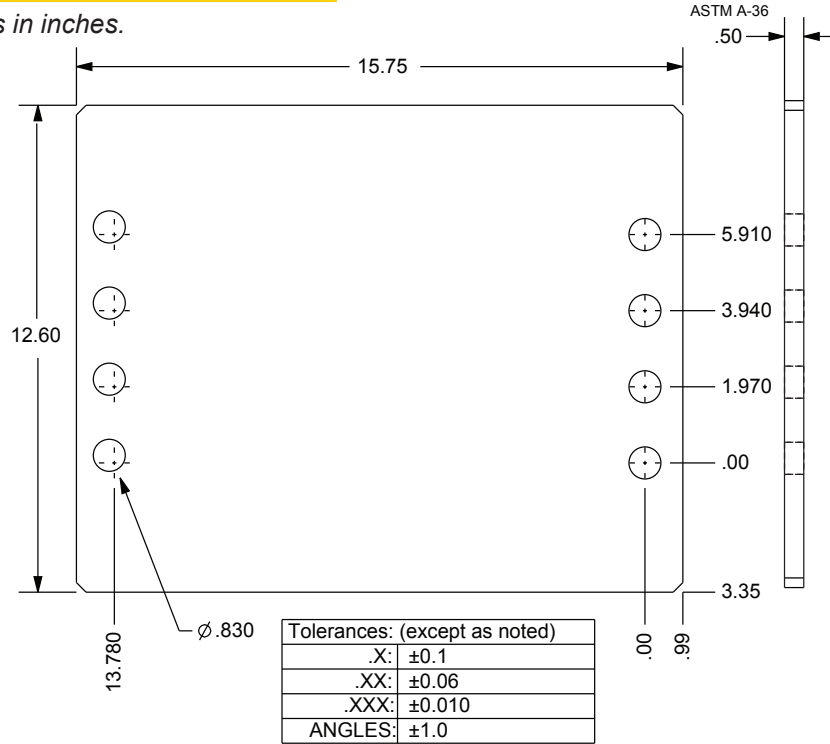
HSX6025S - Pin On Dimensions

Dimension shown is in inches.



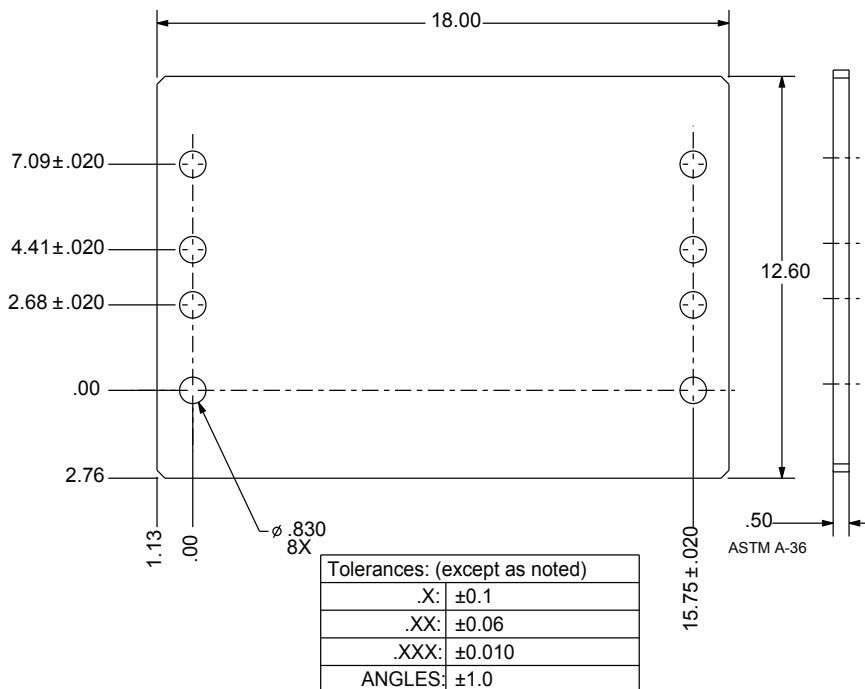
HSX3125S - Top Plate Dimensions

Dimension shown is in inches.



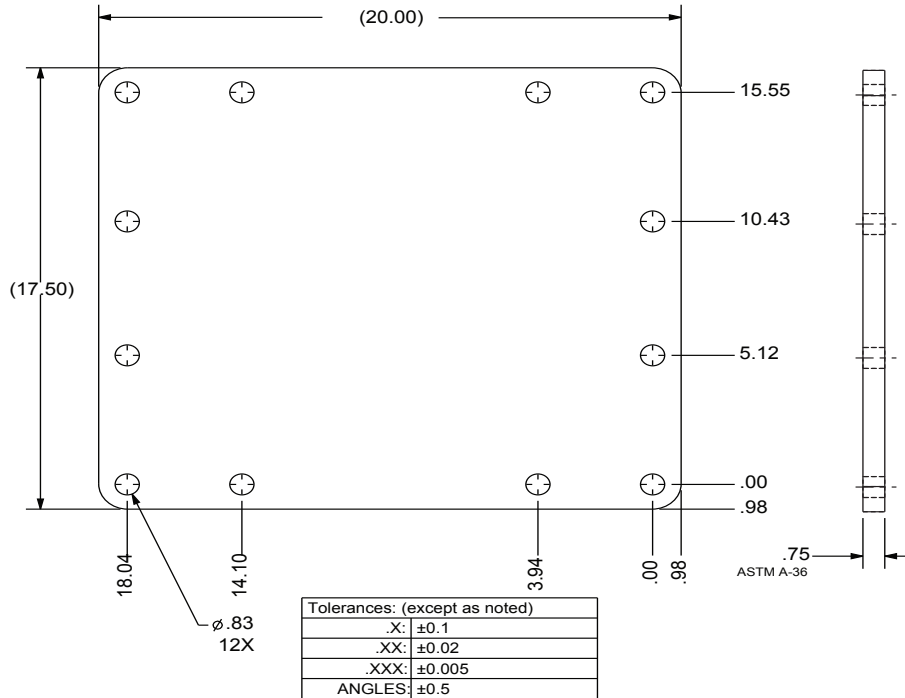
HSX6125S - Top Plate Dimensions

Dimension shown is in inches.



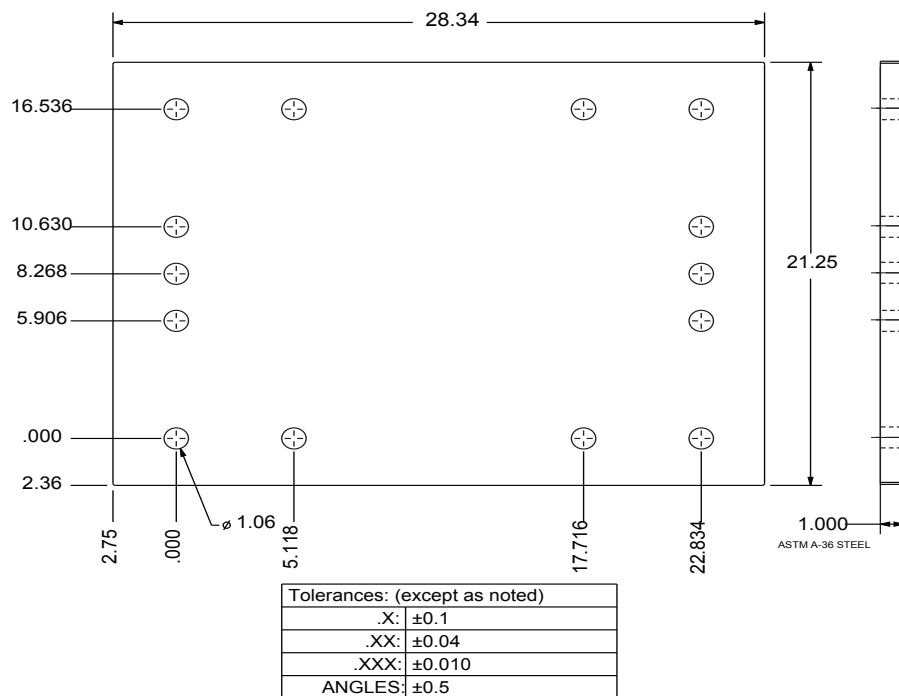
HSX11125S - Top Plate Dimensions

Dimension shown is in inches.



HSX22125S - Top Plate Dimensions

Dimension shown is in inches.



LABOUNTY UNIVERSAL PROCESSORS

The LaBounty Universal Processors SV series are ideal for demolition, road and bridge reconstruction and recycling operations. Up to four interchangeable jaws are offered per model, providing maximum versatility.



MAX-FORCE SERIES BREAKERS

The Stanley MBX Series Breaker models feature industry leading design innovations including a patented valving system which provides unmatched performance and durability. A unique, direct-acting nitrogen chamber that results in increased impact force with the simplicity of only two moving parts, and a rugged housing and power-cell designed to excel in the most demanding applications. Stanley's MBX Series Breakers are ideal for construction, demolition and quarry applications.



LABOUNTY PULVERIZERS

Concrete Pulverizers are designed for quiet, controlled demolition, and recycling of concrete bridge decks, walls, floor slabs, foundations, silos, culverts, pillars, encased beams, pre-cast structures, railings, etc. Our Pulverizers excel in separating concrete from rebar, producing two recyclable products.



HAND-HELD HYDRAULIC TOOLS

Hydraulic Hand-held Tools from Stanley increase job versatility and gets the job done quickly, effectively, and quietly. Hydraulic power is the most efficient power of any traditional power source with the highest power-to-weight ratio of any power tool. Our hand-held line of tools can be powered from a variety of hydraulic power sources such as backhoes, aerial lifts, dump trucks and Stanley Hydraulic Power Units, including our mobile power unit – the TracHorse.



For more information on Stanley Hydraulic Tools, please call our facility at: 1.800.972.2647 or 1.503.659.5660 or Visit our web site at www.stanleyhydraulic.com

Literature #: HSX03102014

Distributed by:

STANLEY®
PERFORMANCE IN ACTION™